

Separate-vacuum Hopper Loader

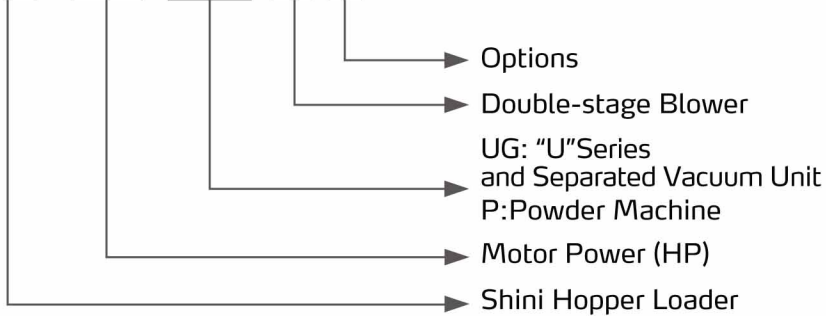
SAL-10HP-UG & SHR-36U



Refer carefully to the manual before operation.

■ Coding Principle

SAL - xxHP-UG(P)-(D)-xx



SAL-5HP-UG&SVH-24L

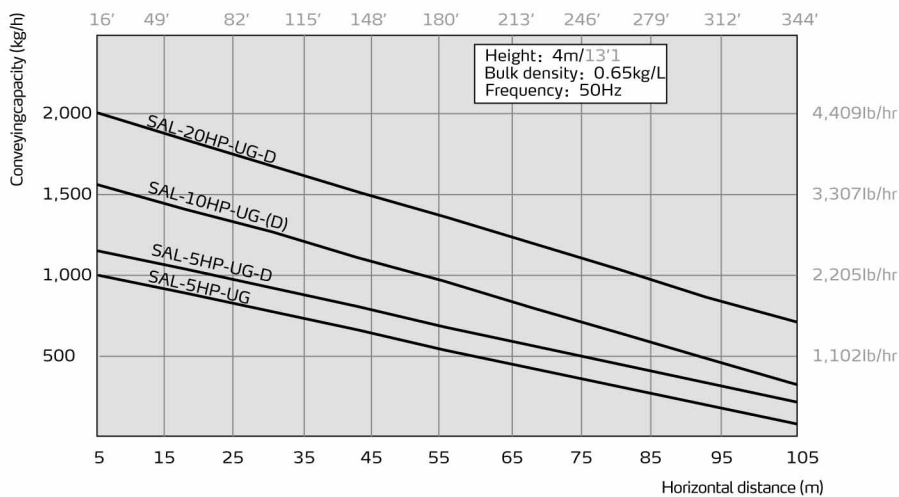
■ Features

- Two-stage cyclone and filter technology with large dust bin for quick and easy maintenance.
- Controller build-in proportional valve SPV-U control function.
- Standard vacuum breaking valve for quick material discharge.
- Stainless steel hopper receiver.
- All series of models are equipped with standard filter purging devices

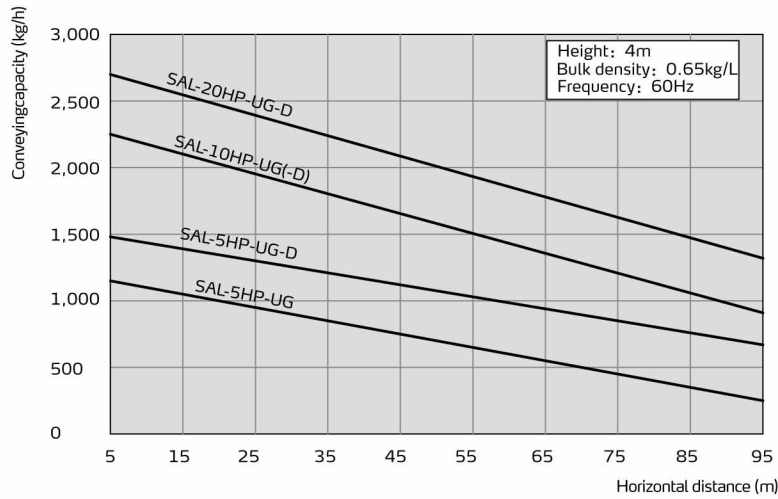


Vacuum breaking valve

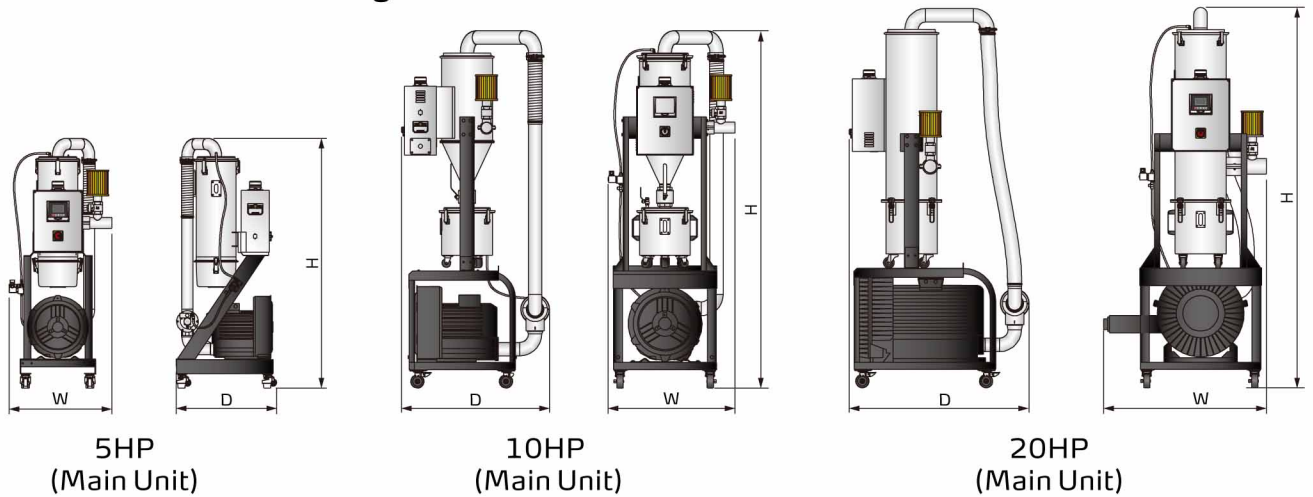
■ SAL-UG Conveying Capacity



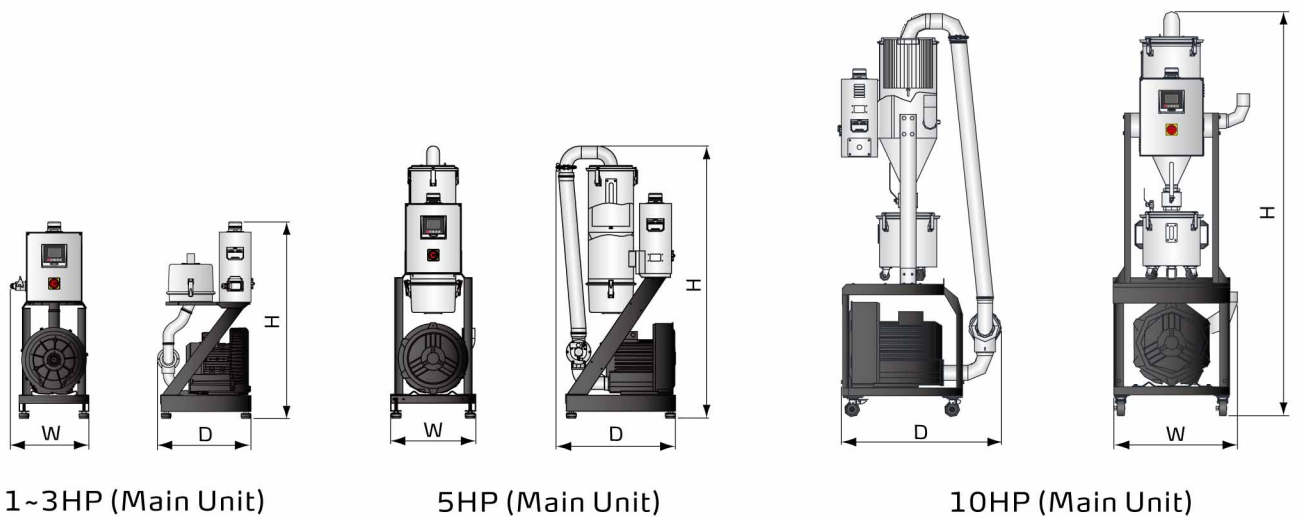
SAL-UG/UGP Series



SAL-UG Outline Drawings



SAL-UGP Outline Drawings





■ SAL-UG Specifications

Model	Motor Power (50/60Hz) (kW)	Dimension (mm) H × W × D	Weight (kg)	Applied to	Conveying Pipe Dia. (inch)	Vacuum Pipe Dia. (inch)	Conveying Capacity (kg/hr) (50/60Hz)
SAL-5HP-UG	3.75/4.2	1410 × 580 × 570	74	SHR-24U × 1	2	2	1000/1100
SAL-5HP-UG-D	3.0/3.35	1410 × 700 × 570	76				1125/1480
SAL-10HP-UG	7.5/8.4	2020 × 720 × 840	160	SHR-36U × 1	2	2.5	1600/2250
SAL-10HP-UG-D		2020 × 855 × 840	162				1800/2530
SAL-20HP-UG-D	11/12.3	2145 × 920 × 1000	236	SHR-48U/96U × 1	2.5	3	2000/2700

Notes: 1) "SVH-L" stands for photosensor hopper receiver, "SHR-U" refers to vacuum hopper receiver.
 2) Test condition of conveying capacity: Plastic material of bulk density 0.65kg/L, dia. 3~5mm, vertical conveying height: 4m, horizontal conveying distance: 5m.
 3) Power supply: 3Φ, 230/400/460/575V, 50/60Hz

■ SAL-UGP Specifications (with cloth filter, this series is suitable for conveying materials containing 30% powder.)

Main Unit		Hopper Receiver						Cloth Filter Quantity	(Main Unit) H×W×D (mm)
Model	Motor Power (kW) (50/60Hz)	Applied to	Conveying Pipe Dia. (inch)	Vacuum Pipe Dia. (inch)	Hopper Capacity (L)	Hopper Dia. (mm)	Conveying Capacity (kg/hr)		
SAL-1HP-UGP	0.75/0.85	SHR-P-12U	1.5	1.5	12	Φ 320	300	2	1000×400×500
SAL-2HP-UGP	1.5/1.8	SHR-P-30U			30	Φ 420	400	4	
SAL-3HP-UGP	1.85/2.0	SHR-P-60U	2	2	60	Φ 542	650	6	
SAL-5HP-UGP	3.75/4.2						1200		
SAL-5HP-UGP-D	3.0/3.35						1350		
SAL-10HP-UGP	7.5/8.6	SHR-P-90U	2.5	2.5	90	Φ 542	2000	7	2015×620×795
SAL-10HP-UGP-D									2015×790×795

SAL-UGP Specifications (with plate filter, this series is suitable for conveying materials containing 100% powder.)

Main Unit		Hopper Receiver						Cloth Filter Quantity	(Main Unit) H×W×D (mm)
Model	Motor Power (kW, 50/60Hz)	Applied to	Conveying Pipe Dia. (inch)	Vacuum Pipe Dia. (inch)	Hopper Capacity (L)	Hopper Dia. (mm)	Conveying Capacity (kg/hr)		
SAL-1HP-UGP	0.75/0.85	SHR-P-30U-2	1.5	1.5	30	Φ 420	300	2	1000×400×500
SAL-2HP-UGP	1.5/1.8						400		
SAL-3HP-UGP	1.85/2.0	SHR-P-60U-3	2	2	60	Φ 542	650	3	
SAL-5HP-UGP	3.75/4.2						1200		
SAL-5HP-UGP-D	3.0/3.35						1350		
SAL-10HP-UGP	7.5/8.6	SHR-P-90U-5	2.5	2.5	90	Φ 542	2000	5	2015×620×795
SAL-10HP-UGP-D									2015×790×795

Notes: 1) Test condition of conveying capacity: Use dried powder plastic material without any viscosity and its bulk density is 0.6kg/L, vertical conveying height: 4m, horizontal conveying distance: 5m.
 2) Power supply: 3Φ, 230/400/460/575V, 50/60Hz.

We reserve the right to change specifications without prior notice.

Shini Group

Addr: No. 23, Minhe St., Shulin Dist.,
New Taipei, Taiwan

Tel: +886 2 2680 9119

Fax: +886 2 2680 9229

Email: shini@shini.com

Factories:

- Taiwan
- Dongguan
- Pinghu
- Ningbo
- Chongqing
- Pune