



## "Standard" Self-contained Hopper Loader SAL

SAL-360

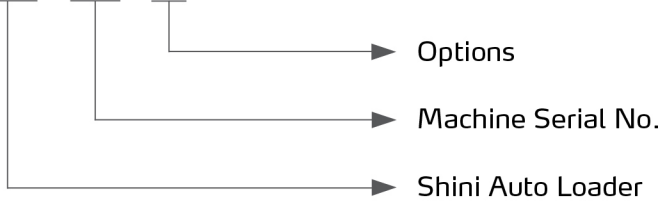


Refer carefully to this manual before operation.

# SAL Series

## ■ Coding Principle

SAL - xxx - xx



## ■ Features

- Stainless steel hopper, motor overload protector.
- SAL-330/360 integrated design features compact structure and light weight.
- When mounted at the inlet of the injection molding machine, SAL requires to work with the storage collective hopper SCH-U or SICH-U.
- All the machines are equipped with auto reverse cleaning kit and cloth mesh filter.



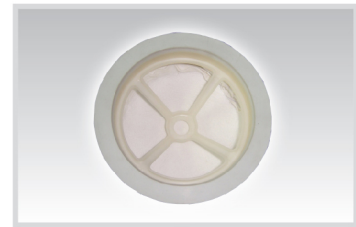
SAL-460



Control Panel

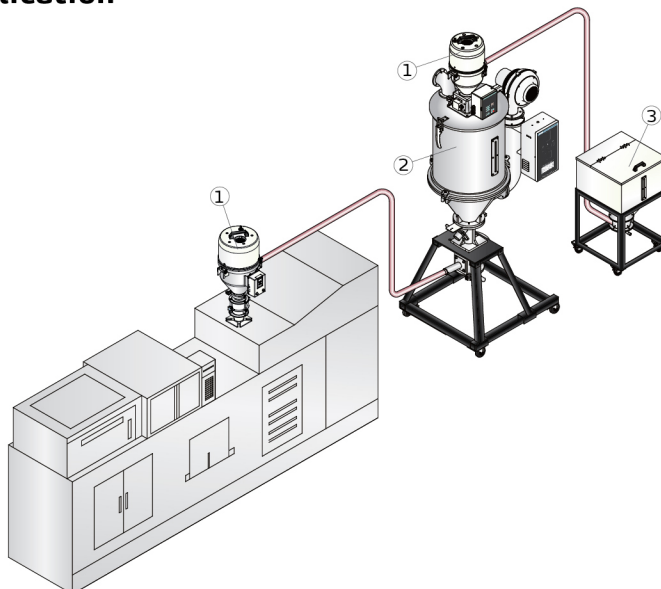


Reverse Cleaning Kit  
(SAL-330/360)



Cloth Filter

## ■ Application



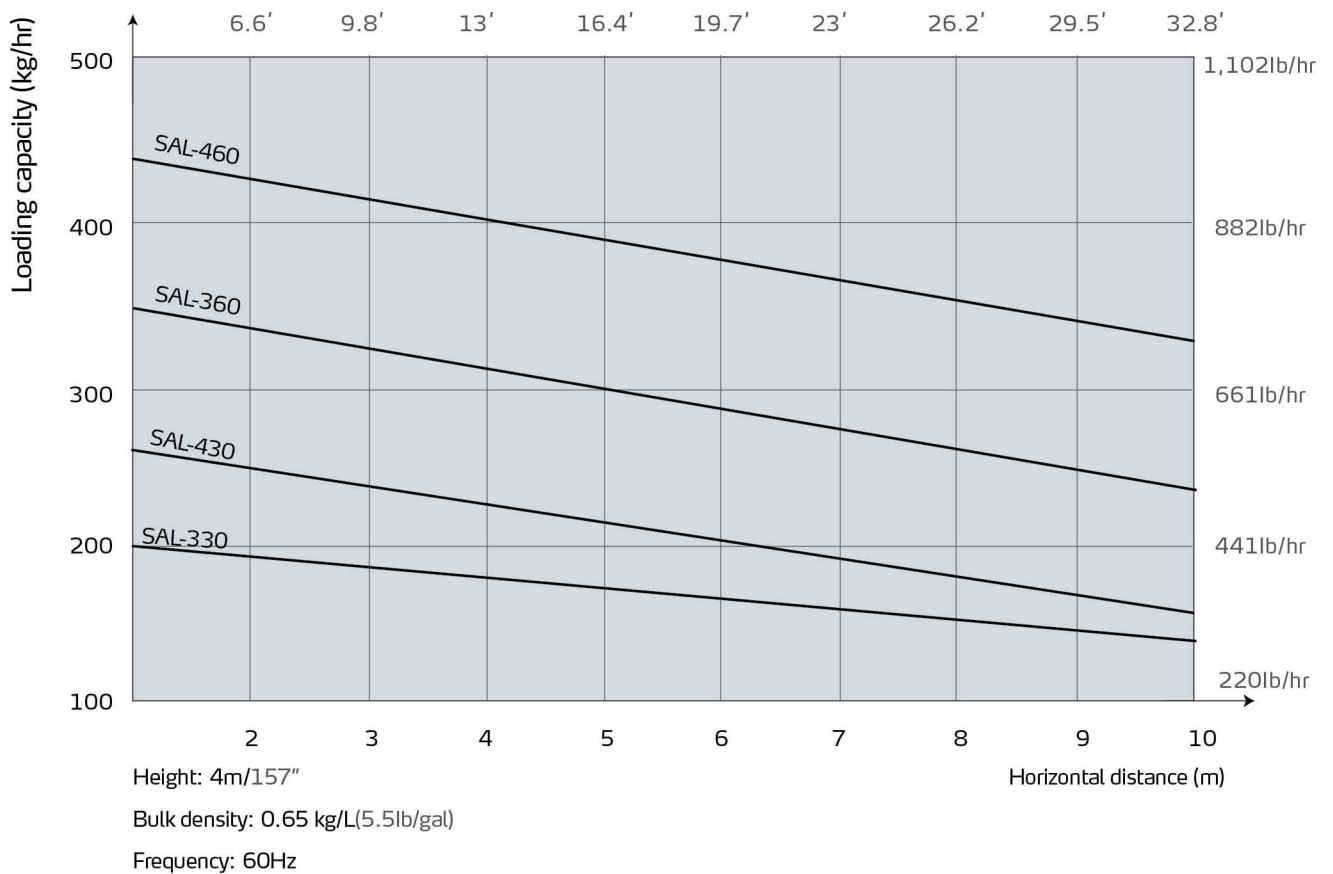
1. Auto loader
2. "Standard" hopper dryer
3. Material storage tank



## Options

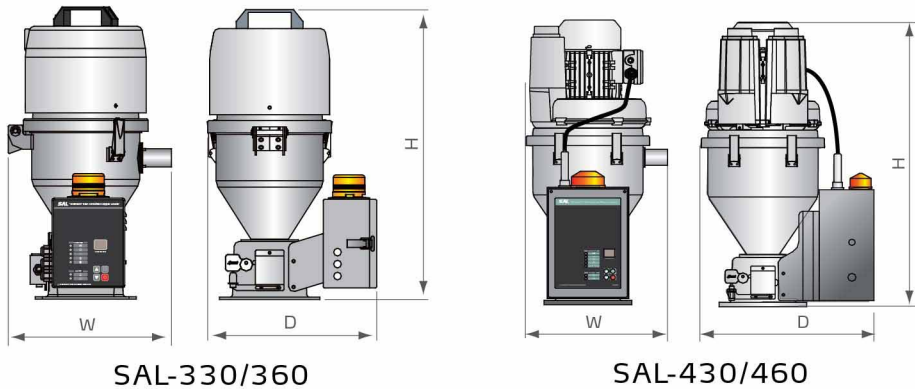
- Buzzer is optional .Add "B" at the end of model code.
- Manual control switch is optional to deal with conditions that power supply is hard to manage when machine is installed at higher places. Add "RS"at the end of model code.
- Quick mixing valve can be opted to work with proportional valve to enhance mixing effect. Add "QM"at the end of model code.
- For polished hopper inside ones, add "P" at the end of the model code.

## Loading Capacity



# SAL Series

## Outline Drawings



2.2046226

## Specifications

Model		SAL-330	SAL-360	SAL-430	SAL-460	
Blower Type		Carbon brush	Carbon brush	Inductive	Inductive	
Motor Power (kW, 50/60Hz)		1.15/1.32	1.15/1.32	0.37/0.42	0.75/0.85	
Conveying Pipe Dia. (inch)		1.5	1.5	1.5	1.5	
Conveying Capacity (50/60Hz)	kg/hr	200/240	300/350	200/220	300/330	
	lb/hr	441/529	661/772	441/485	661/728	
Hopper Capacity	L	3	6	3	6	
	gal	0.8	1.6	0.8	1.6	
Material Level Control		Microswitch				
Compressed Air Dedusting		●	●	—	—	
Cloth Filter		●	●	●	●	
Motor Reverse Dedusting		—	—	●	●	
Dimensions	H	mm	610	670	660	735
		inch	24	26.4	26	28.9
	W	mm	345	385	310	350
		inch	13.6	15.2	12.2	13.8
	D	mm	355	380	395	420
		inch	14	15	15.6	16.5
Weight	kg	13	14	23	26	
	lb	28.7	30.9	50.7	57.3	

Notes: 1) Test condition of conveying capacity: Plastic material of bulk density 0.65kg/L(5.5lb/gal), dia. 3-5mm/0.12-0.2 inch, vertical conveying height: 4m/13.1Feet, horizontal conveying distance: 1m/3.28Feet.  
 2) "●" stands for standard, "○" stands for options, "-" stands for none.  
 3) SAL330/360 Input Voltage:1Φ, 115/230VAC, 50/60Hz;  
 SAL430/460 Input Voltage:3Φ, 230/400/460/575VAC, 50/60Hz.

We reserve the right to change specifications without prior notice.