



Granulating & Recycling

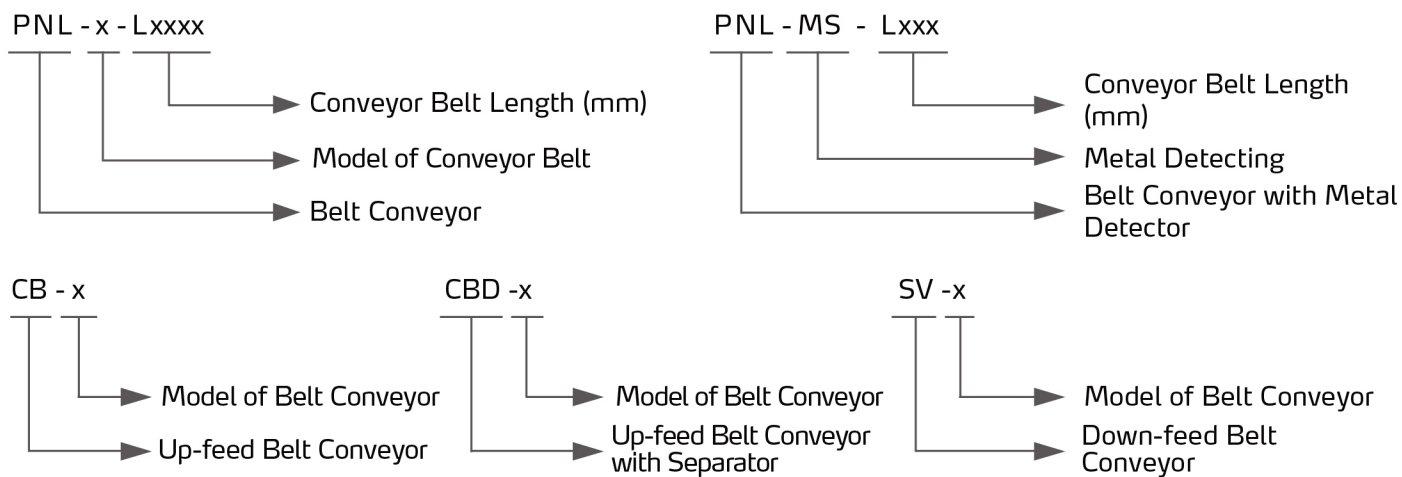
# Belt Conveyor

Simple Solution



# Belt Conveyor

## ■ Coding Principle



## ■ Features

- Mounted on patented "FUTURE" floor stand.
- PVC belt is adopted for smooth and efficient conveying.
- Height adjustable floor stand. PNL series 1~2m/39.4"~78.7" meters of conveying belt has angel adjustable function with a range of 0°~25°.
- CB series has material fence to facilitate regrind conveying, optionally available for PNL series.
- Sidewalls for PNL-MS series, CB (CBD) series, SV series and PNL series are 100mm/3.9", 95mm/3.7", 34 mm/1.3" and 75mm/3" respectively.
- The conveying speed of CB, CBD, PNL and SV series is 6.5m/min .
- Equipped with channel metal detector to detect effectively the metal in the channel.
- PNL-MS series conveying speed could be adjusted within 1.3~8 m/min (4.3~26.2feet/min) by transducer which is standard configuration.
- Maximum loading capacity of CB, CBD, PNL, SV series is 56kg, PNL-MS series is 150kg/331lb.
- Frequency converter is standard for CB, CBD, PNL, SV series , of which the normal and safe speed range is 3~6.5 m/min.
- PNL-MS-L3500 minimum detectable diameter (metal ball) is  $\Phi 5\text{mm}/0.2"$ .
- PNL-MS-L4500 minimum detectable diameter (metal ball) is  $\Phi 8.7\text{mm}/0.34"$ .
- Power supply for CB, CBD, PNL and SV series are 1  $\Phi$  , 230VAC, 50Hz/ 60Hz.
- Power supply for PNL-MS series are 3  $\Phi$  , 400VAC, 50Hz/ 60Hz.



CBD-12



PNL-2



PNL-MS-L3500



SV-1

## Application

Shini manufactures five models of belt conveyors as follows under technical license from a leading european manufacturer:

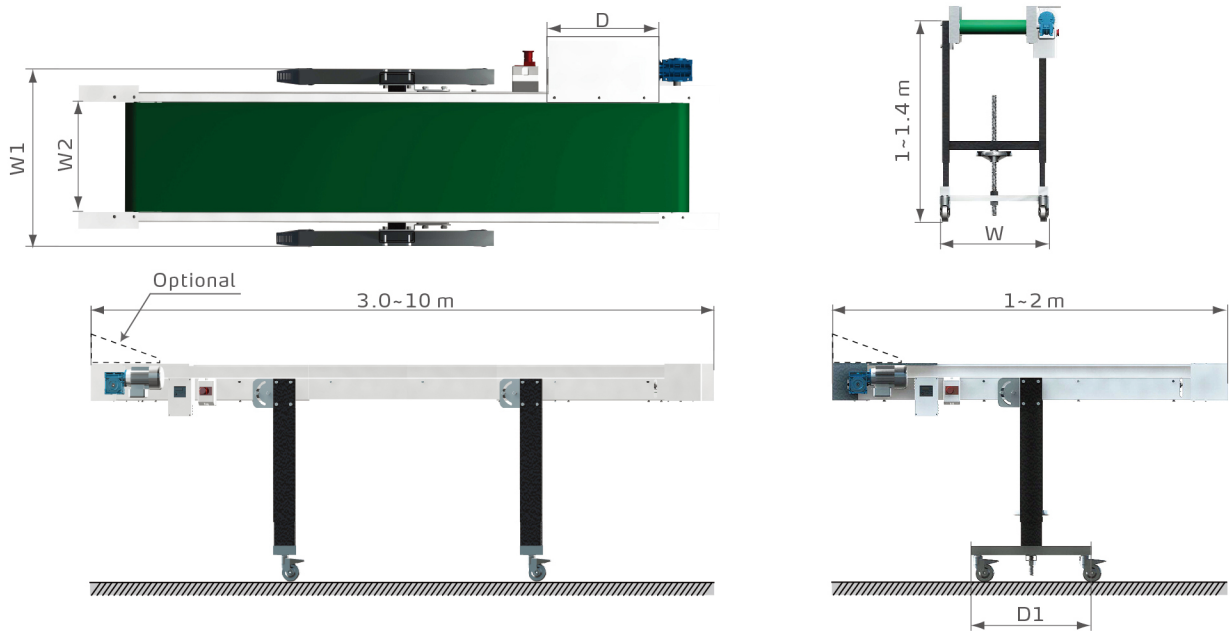
PNL series conveyors feature reliable performance and ease of operation and are suitable for use with CB or SV series conveyors or as stand-alone units.

PNL-MS series belt conveyor with metal detector is a device which can detect the metal contained in the material during conveying and simultaneously activate the alarm.

CBD series conveyors feature reliable performance and ease of operation and are suitable for conveying finished products to separator to separate product from its connecting sprues. The height is adjustable.

SV series conveyors feature reliable performance and ease of operation and are suitable for conveying.

## Outline Drawings

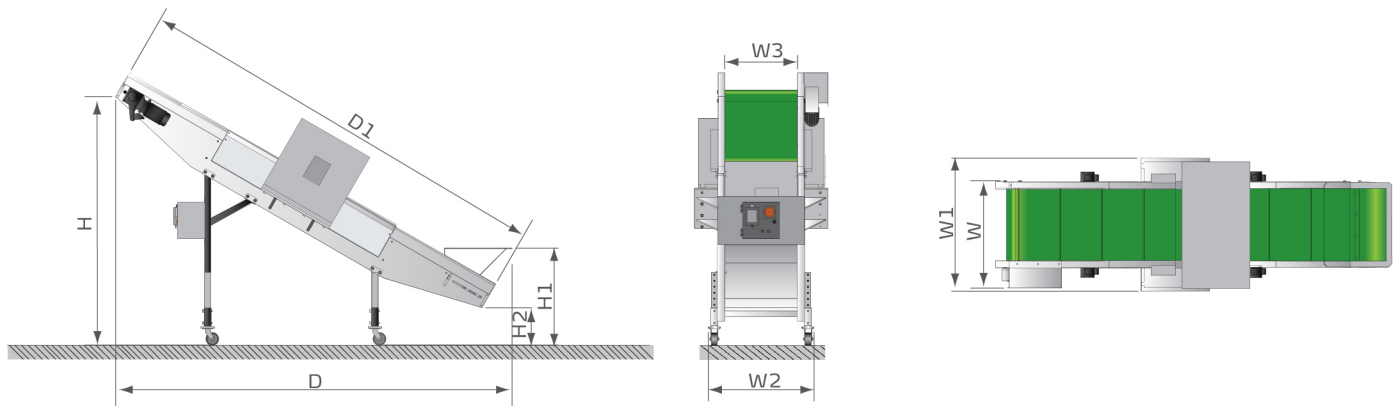


PNL Outline Drawings

| Model  |      | PNL-1 | PNL-2 | PNL-3 | PNL-4 | PNL-5 | PNL-6 | PNL-7 | PNL-8 |
|--------|------|-------|-------|-------|-------|-------|-------|-------|-------|
| W      | mm   | 440   | 520   | 590   | 720   | 820   | 1020  | 1220  | 1420  |
|        | inch | 17.3  | 20.5  | 23.2  | 28.3  | 32.3  | 40.2  | 48    | 55.9  |
| W1     | mm   | 450   | 530   | 600   | 730   | 830   | 1030  | 1230  | 1430  |
|        | inch | 17.7  | 20.9  | 23.6  | 28.7  | 32.7  | 40.6  | 48.4  | 56.3  |
| W2     | mm   | 220   | 300   | 370   | 500   | 600   | 800   | 1000  | 1200  |
|        | inch | 8.7   | 11.8  | 14.6  | 19.7  | 23.6  | 31.5  | 39.4  | 47.2  |
| D      | mm   | 500   | 500   | 500   | 500   | 500   | 500   | 500   | 500   |
|        | inch | 19.7  | 19.7  | 19.7  | 19.7  | 19.7  | 19.7  | 19.7  | 19.7  |
| D1     | mm   | 650   | 650   | 650   | 650   | 650   | 650   | 650   | 650   |
|        | inch | 25.6  | 25.6  | 25.6  | 25.6  | 25.6  | 25.6  | 25.6  | 25.6  |
| Weight | kg   | 93    | 100   | 106   | 117   | 126   | 143   | 160   | 180   |
|        | lb   | 205   | 221   | 234   | 258   | 278   | 315   | 353   | 397   |

We reserve the right to change specifications without prior notice.

# Belt Conveyor

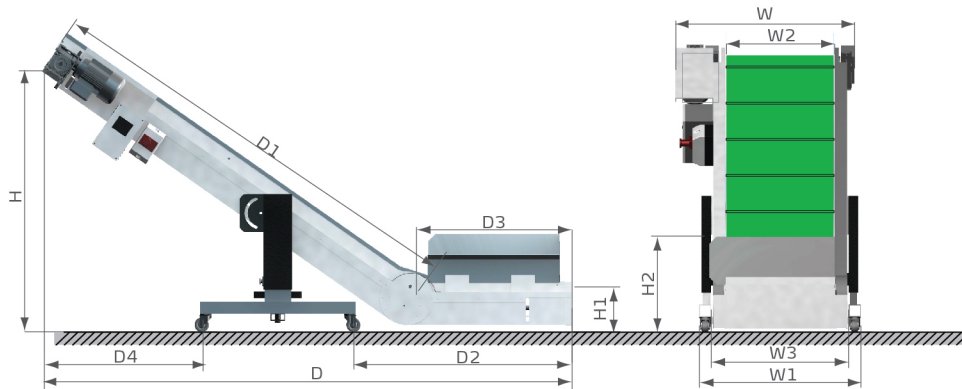


PNL-MS Outline Drawings

| Model  |      | PNL-MS-L3500 | PNL-MS-L4500 |
|--------|------|--------------|--------------|
| W      | mm   | 895          | 1295         |
|        | inch | 35.2         | 51           |
| W1     | mm   | 1105         | 1505         |
|        | inch | 43.5         | 43.5         |
| W2     | mm   | 880          | 1280         |
|        | inch | 34.6         | 50.4         |
| W3     | mm   | 600          | 1000         |
|        | inch | 23.6         | 39.4         |
| D      | mm   | 3285         | 4150         |
|        | inch | 129.3        | 163.4        |
| D1     | mm   | 3500         | 4500         |
|        | inch | 137.8        | 177.2        |
| H      | mm   | 2110         | 2560         |
|        | inch | 83           | 100.8        |
| H1     | mm   | 855          | 805          |
|        | inch | 33.7         | 31.7         |
| H2     | mm   | 350          | 310          |
|        | inch | 13.8         | 12.2         |
| Weight | kg   | 420          | 670          |
|        | lb   | 926          | 1477         |

We reserve the right to change specifications without prior notice.



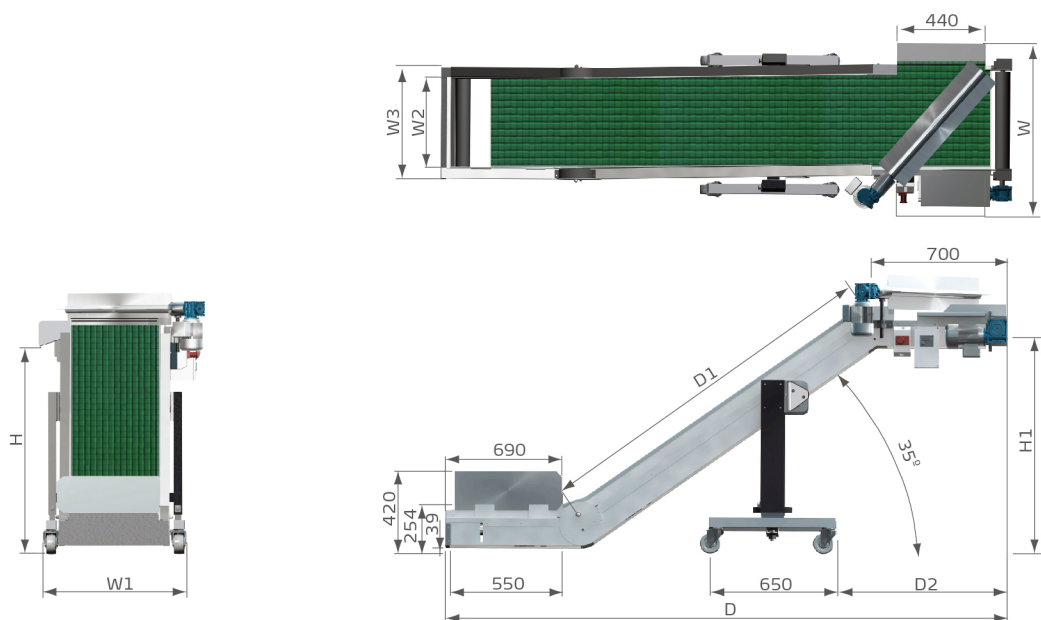


CB Outline Drawing

| Model  |      | CB-1     | CB-2     | CB-3     | CB-4     | CB-5     | CB-6     |
|--------|------|----------|----------|----------|----------|----------|----------|
| H      | mm   | 940+65   | 940+65   | 940+65   | 1168+145 | 1168+145 | 1168+145 |
|        | inch | 37+2.6   | 37+2.6   | 37+2.6   | 46+5.7   | 46+5.7   | 46+5.7   |
| H1     | mm   | 262+65   | 262+65   | 262+65   | 200+145  | 200+145  | 200+145  |
|        | inch | 10.3+2.6 | 10.3+2.6 | 10.3+2.6 | 7.9+5.7  | 7.9+5.7  | 7.9+5.7  |
| H2     | mm   | 405+65   | 405+65   | 405+65   | 343+145  | 343+145  | 343+145  |
|        | inch | 15.9+2.6 | 15.9+2.6 | 15.9+2.6 | 13.5+5.7 | 13.5+5.7 | 13.5+5.7 |
| W      | mm   | 533      | 603      | 733      | 533      | 603      | 733      |
|        | inch | 21       | 23.7     | 28.9     | 21       | 23.7     | 28.9     |
| W1     | mm   | 483      | 553      | 683      | 483      | 553      | 683      |
|        | inch | 19       | 21.8     | 26.9     | 19       | 21.8     | 26.9     |
| W2     | mm   | 250      | 320      | 450      | 250      | 320      | 450      |
|        | inch | 9.8      | 12.6     | 17.7     | 9.8      | 12.6     | 17.7     |
| W3     | mm   | 359      | 429      | 559      | 359      | 429      | 559      |
|        | inch | 14.1     | 16.9     | 22       | 14.1     | 16.9     | 22       |
| D      | mm   | 1815     | 1815     | 1815     | 2225     | 2225     | 2225     |
|        | inch | 71.5     | 71.5     | 71.5     | 87.6     | 87.6     | 87.6     |
| D1     | mm   | 1300     | 1300     | 1300     | 1800     | 1800     | 1800     |
|        | inch | 51.2     | 51.2     | 51.2     | 70.9     | 70.9     | 70.9     |
| D2     | mm   | 845      | 845      | 845      | 909      | 909      | 909      |
|        | inch | 33.3     | 33.3     | 33.3     | 35.8     | 35.8     | 35.8     |
| D3     | mm   | 690      | 690      | 690      | 690      | 690      | 690      |
|        | inch | 27.2     | 27.2     | 27.2     | 27.2     | 27.2     | 27.2     |
| D4     | mm   | 520      | 520      | 520      | 665      | 665      | 665      |
|        | inch | 20.5     | 20.5     | 20.5     | 26.2     | 26.2     | 26.2     |
| Weight | kg   | 92       | 102      | 112      | 100      | 100      | 120      |
|        | lb   | 203      | 225      | 247      | 220      | 220      | 265      |

We reserve the right to change specifications without prior notice.

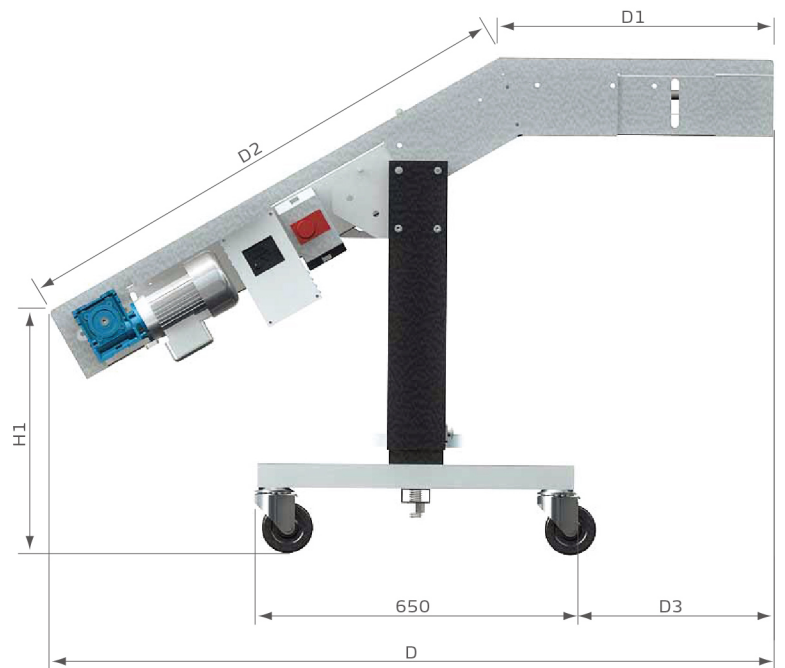
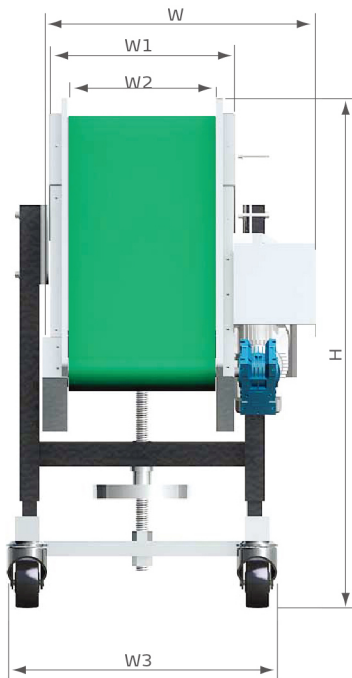
# Belt Conveyor



CBD Outline Drawings

| Model  |      | CBD-7     | CBD-8     | CBD-9     | CBD-10    | CBD-11    | CBD-12    |
|--------|------|-----------|-----------|-----------|-----------|-----------|-----------|
| H      | mm   | 855+70    | 855+70    | 855+70    | 1140+140  | 1140+140  | 1140+140  |
|        | inch | 33.6+1.32 | 33.6+1.32 | 33.6+1.32 | 44.9+5.51 | 44.9+5.51 | 44.9+5.51 |
| H1     | mm   | 797+70    | 797+70    | 797+70    | 1083+140  | 1083+140  | 1083+140  |
|        | inch | 31.4+2.76 | 31.4+2.76 | 31.4+2.76 | 42.6+5.51 | 42.6+5.51 | 42.6+5.51 |
| W      | mm   | 650       | 730       | 880       | 650       | 730       | 880       |
|        | inch | 25.6      | 28.7      | 34.6      | 25.6      | 28.7      | 34.6      |
| W1     | mm   | 506       | 576       | 706       | 506       | 576       | 706       |
|        | inch | 19.9      | 22.8      | 27.8      | 19.9      | 22.8      | 27.8      |
| W2     | mm   | 250       | 320       | 450       | 250       | 320       | 450       |
|        | inch | 9.8       | 12.6      | 17.7      | 9.8       | 12.6      | 17.7      |
| W3     | mm   | 358       | 428       | 558       | 358       | 428       | 558       |
|        | inch | 14.1      | 16.9      | 22.0      | 14.1      | 16.9      | 22.0      |
| D      | mm   | 2455      | 2455      | 2455      | 2865      | 2865      | 2865      |
|        | inch | 96.7      | 96.7      | 96.7      | 112.8     | 112.8     | 112.8     |
| D1     | mm   | 1300      | 1300      | 1300      | 1800      | 1800      | 1800      |
|        | inch | 51.2      | 51.2      | 51.2      | 70.9      | 70.9      | 70.9      |
| D2     | mm   | 747       | 747       | 747       | 870       | 870       | 870       |
|        | inch | 29.4      | 29.4      | 29.4      | 34.3      | 34.3      | 34.3      |
| Weight | kg   | 130       | 140       | 155       | 135       | 150       | 169       |
|        | lb   | 287       | 309       | 342       | 298       | 331       | 373       |

We reserve the right to change specifications without prior notice.



SV Outline Drawings

| Model  |      | SV-1      | SV-2      | SV-3      | SV-4      | SV-5      | SV-6      |
|--------|------|-----------|-----------|-----------|-----------|-----------|-----------|
| H      | mm   | 1000~1400 | 1000~1400 | 1000~1400 | 1250~1650 | 1250~1650 | 1250~1650 |
|        | inch | 39.4~55.1 | 39.4~55.1 | 39.4~55.1 | 49.2~65.0 | 49.2~65.0 | 49.2~65.0 |
| H1     | mm   | 525~925   | 525~925   | 525~925   | 525~925   | 525~925   | 525~925   |
|        | inch | 20.7~36.4 | 20.7~36.4 | 20.7~36.4 | 20.7~36.4 | 20.7~36.4 | 20.7~36.4 |
| W      | mm   | 550       | 620       | 750       | 620       | 750       | 850       |
|        | inch | 21.7      | 24.4      | 29.5      | 24.4      | 29.5      | 33.5      |
| W1     | mm   | 371       | 441       | 571       | 441       | 571       | 671       |
|        | inch | 14.6      | 17.4      | 22.5      | 17.4      | 22.5      | 26.4      |
| W2     | mm   | 300       | 370       | 500       | 370       | 500       | 600       |
|        | inch | 11.8      | 14.6      | 19.7      | 14.6      | 19.7      | 23.6      |
| W3     | mm   | 490       | 560       | 690       | 560       | 690       | 790       |
|        | inch | 19.3      | 22.0      | 27.2      | 22.0      | 27.2      | 31.1      |
| D      | mm   | 1480      | 1480      | 1480      | 1910      | 1910      | 1910      |
|        | inch | 58.3      | 58.3      | 58.3      | 75.2      | 75.2      | 75.2      |
| D1     | mm   | 564       | 564       | 564       | 564       | 564       | 564       |
|        | inch | 22.2      | 22.2      | 22.2      | 22.2      | 22.2      | 22.2      |
| D2     | mm   | 1062      | 1062      | 1062      | 1562      | 1562      | 1562      |
|        | inch | 41.8      | 41.8      | 41.8      | 61.5      | 61.5      | 61.5      |
| D3     | mm   | 410       | 410       | 410       | 480       | 480       | 480       |
|        | inch | 16.1      | 16.1      | 16.1      | 18.8      | 18.8      | 18.8      |
| Weight | kg   | 83        | 88        | 93        | 110       | 120       | 130       |
|        | lb   | 183       | 194       | 205       | 243       | 265       | 287       |

We reserve the right to change specifications without prior notice.