

# SHD

料斗干燥机

**“Standard” Hopper Dryer**

日期: 2014 年 07 月

版本: Ver.B (中文版)

Date: Jul, 2014

Version: Ver.B (English)





## 目录 Content

1. 安装 Installation .....	6
2. 安全规则 Safety Regulations .....	7
2.1 安全标志 Safety Signs and Labels .....	8
3. 电源选用 Power Choice.....	8
4. 电源连接 Connecting the power source .....	8
5. 干燥机的测试 The Dryer test.....	9
6. 温度设定 Setting temperature .....	9
7. 自动定时设置 Setting timing .....	10
8. 用户选用指南 Customer Instruction.....	10
9. 面板及操作 Name plate and operation .....	11
9.1 干燥机面板 Name plate .....	11
9.2 干燥机附定时器面板 Name plate.....	12
9.3 干燥机微电脑控制面板 Name plate .....	13
9.4 微电脑控制操作 Operation .....	13
9.4.1 面板操作 Panel operating steps.....	13
9.4.2 温度设定 Temperature setting .....	14
9.4.3 间歇式运转设定 OFF-and-ON run system setting.....	14
9.4.4 一周定时开机的设定 Auto start-up timer setting (one week).....	14
9.4.5 现在时间校正 Present time adjusting.....	15
9.4.6 一周定时开机启动 Auto start-up timer start (one week) .....	16
9.4.7 错误代码说明/Error code description .....	16
10. 维护与保养 Maintenance and repair.....	17
10.1 风机 Blower .....	17
11. 常见故障及其排除 Troubleshooting.....	18
12. 干燥机系列规格 .....	19
13. 干燥机外形尺寸 External Dimensions .....	21
14. 干燥机零件图 Spare Parts of SHD .....	22

<b>15. 干燥机零件表 ( Spare Parts List )</b> .....	<b>25</b>
<b>16. 干燥机系列电控接线图 ( Wiring Diagram )</b> .....	<b>29</b>
16.1 功率, 线径, 电流表 Power, Diameter, Ammeter (3Φ 400V).....	29
16.2 主电路图 Main Electrical Circuit SHD-12~1000 (3Φ 400V) .....	30
16.3 控制电路图 Control Circuit SHD-12~1000 (3Φ 400V) .....	31
16.4 控制电路图 Control Circuit SHD-12T~1000T (3Φ 400V) .....	32
16.5 组件布置及端子接线图 Layout and Component Video Wiring Diagram (SHD-12~1000)(3Φ 400V) .....	33
16.6 组件布置及端子接线图 Layout and Component Video Wiring Diagram (SHD-12T~1000T)(3Φ 400V) .....	34
16.7 电气组件明细 Bill of Electrical Parts (SHD-12~1000 400V).....	35
16.7.1 电气组件明细表 Bill of electrical parts (SHD-12) (400V).....	35
16.7.2 电气组件明细表 Bill of electrical parts (SHD-25) (400V).....	36
16.7.3 电气组件明细表 Bill of electrical parts (SHD-50) (400V).....	37
16.7.4 电气组件明细表 Bill of electrical parts (SHD-75) (400V).....	38
16.7.5 电气组件明细表 Bill of electrical parts (SHD-100/150) (400V).....	39
16.7.6 电气组件明细表 Bill of electrical parts (SHD-200) (400V).....	40
16.7.7 电气组件明细表 Bill of electrical parts (SHD-300) (400V).....	41
16.7.8 电气组件明细表 Bill of electrical parts (SHD-400) (400V).....	42
16.7.9 电气组件明细表 Bill of electrical parts (SHD-500) (400V).....	43
16.7.10 电气组件明细表 Bill of electrical parts (SHD-600) (400V).....	44
16.7.11 电气组件明细表 Bill of electrical parts (SHD-800) (400V).....	45
16.7.12 电气组件明细表 Bill of electrical parts (SHD-1000) (400V)....	46
16.8 功率, 线径, 电流表 Power, Diameter, Ammeter (3Φ 230V).....	47
16.9 主电路图 Main Electrical Circuit SHD-12~1000 (3Φ 230V) .....	48
16.10 控制电路图 Control Circuit SHD-12~1000 (3Φ 230V).....	49
16.11 控制电路图 Control Circuit SHD-12T~1000T (3Φ 230V).....	50
16.12 组件布置及端子接线图 Layout and Component Video Wiring Diagram (SHD-12~1000)(3Φ 230V) .....	51
16.13 组件布置及端子接线图 Layout and Component Video Wiring Diagram (SHD-12T~1000T)(3Φ 230V) .....	52
16.14 电气组件明细 Bill of Electrical Parts (SHD-12~1000 230V) .....	53
16.14.1 电气组件明细表 Bill of electrical parts (SHD-12) (230V).....	53
16.14.2 电气组件明细表 Bill of electrical parts (SHD-25) (230V).....	54

16.14.3	电气组件明细表	Bill of electrical parts (SHD-50) (230V).....	55
16.14.4	电气组件明细表	Bill of electrical parts (SHD-75) (230V).....	56
16.14.5	电气组件明细表	Bill of electrical parts (SHD-100/150) (230V)	57
16.14.6	电气组件明细表	Bill of electrical parts (SHD-200) .....	58
16.14.7	电气组件明细表	Bill of electrical parts (SHD-300) (230V).....	59
16.14.8	电气组件明细表	Bill of electrical parts (SHD-400) (230V).....	60
16.14.9	电气组件明细表	Bill of electrical parts (SHD-500) (230V).....	61
16.14.10	电气组件明细表	Bill of electrical parts (SHD-600) (230V).....	62
16.14.11	电气组件明细表	Bill of electrical parts (SHD-800) (230V).....	63
16.14.12	电气组件明细表	Bill of electrical parts (SHD-1000) (230V)....	64

# 1. 安装 Installation

将信易牌 SHD 系列干燥机的底座按塑胶射出机进料口上安装尺寸进行钻孔，然后用螺丝将底座与塑胶射出机进料口固定。(若有足够的空间，安装时可采用 L 型或 A 型角架来固定)

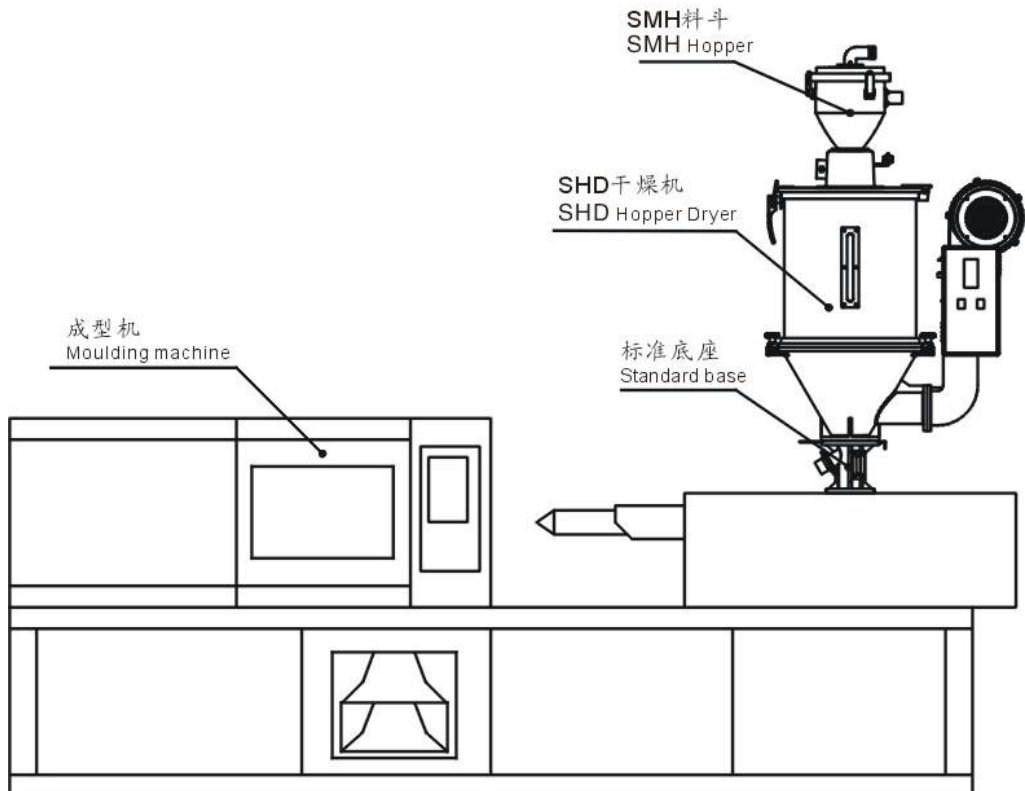
注意：干燥机底座钻孔时，一定要按照所用之塑胶射出机进料口上之安装尺寸进行，在使用前一定要将螺丝拧紧。

According to the installation diameter of the hopper's opening on the plastic injecting machine, drill the hole at the bottom base of the dryer, and place it vertically on the opening and fix it by tightening the screws.

Notes: When drilling, the hole's diameter is the installation diameter of the hopper's opening on the plastic injecting machine and must tighten with the screws before use.

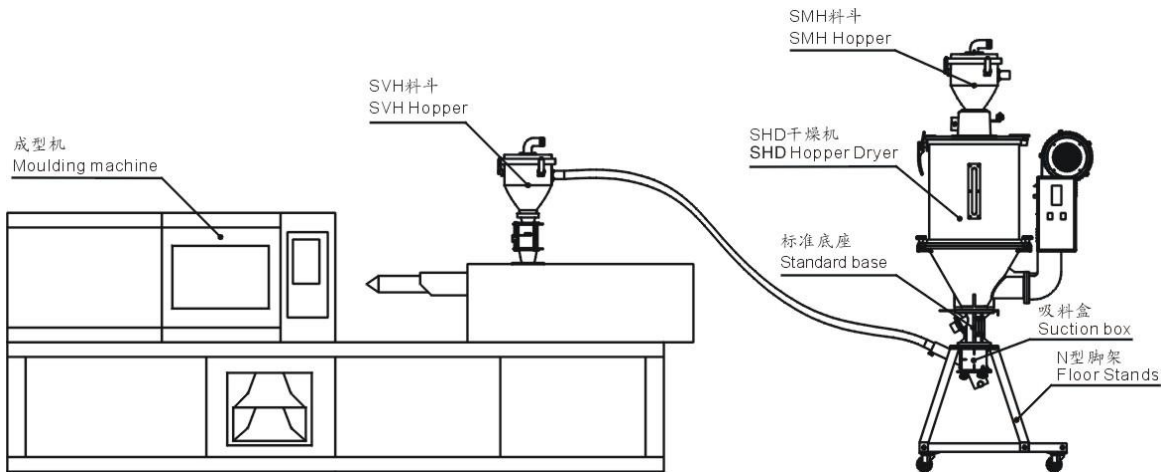
安装在注塑机上

Install directly on a moulding machine



## 配料斗使用

To be used with hopper loaders



## 2. 安全规则 Safety Regulations



注意:

电器安装应由专业的电工来安装。

在电源接入前，确定电源开关之规格与负荷保护额定电流是否适当、安全，且应当在连接电源前机体主电源开关调至"OFF"状态。在机器维修保养时，应先关闭电源开关和自动运行开关。



Note!

Electrical installation should be done by qualified electrician only.

Before connecting to AC Power Source, turn power switch to OFF position. While AC power source is connected, make sure specifications and overload protection rating of the power switch are suitable and reliable. When the machine is under care or maintenance, turn off both power switch and automatic operation switch.

## 2.1 安全标志 Safety Signs and Labels



危险! Danger!

高压危险! High Voltage!

这个标签贴在电盒外壳上。It is attached to the control box.



注意! Attention!

这个标签表示该处多加小心! This mark reminds you to be more careful!



警告! Warning!

表面高温, 容易烫手! 该标签贴在电热管的外壳上。

High temperature surface may burn hands!

This label should be stick to the shell of electric heating box.

## 3. 电源选用 Power Choice

根据用户使用电压情况, 信易 SHD 系列干燥机可提供 1Φ 230V, 3Φ 230V, 和 3Φ 400V 三种标准电源规格; 也可根据客户之需求, 特殊订购。

Shini series of Dryer provide three kinds of standard specification power voltage: 1Φ 230V, 3Φ 230V and 3Φ 400V, selected by the customer's condition. Also, it can be ordered specially according to customer's requirement.

## 4. 电源连接 Connecting the power source

将配电箱打开, 参照里面配线图, 接上电源, 应注意电源、电压是否相符。电源开关之规格与负荷保护额定是否适当、安全。

注意: 在连接电源前应将电源总开关调至"OFF"状态, 干燥机电源箱上的电热开关旋至"OFF"状态。

Open the distribution box and connect the power source in accordance with wiring diagram. Notice should be taken concerning if the power voltage is in compliance with the required specifications, also if the switch and load are proper and safe. Also switch on the blower to check if it turns in right direction.

Notes: Before connecting, the main switch and heat switch should be off.



## 5. 干燥机的测试 The Dryer test

当确信所有的线路已连接好以后，打开电源总开关至“ON”状态，再打开控制箱上的电热开关至“ON”状态这时指示灯亮，注意观察风车的转向是否与其箭头所示方向相同，若方向不同，将接风车的两线调换一下即可。

After all wires are connected, turn on the main switch and the heater switch, then the pilot lamp light, to see if the rotating direction of blower is the same as the direction of arrow head, if not, exchange any two of cables.

## 6. 温度设定 Setting temperature

参考塑胶原料之干燥温度参考表，设定温度调节器上的温度。温控器上可设

定温度范围为 0~199℃，当加热到一定时间，控制箱上黄色和红色指示灯间隔性的轮流转换，表明达到了设定的温度，同时观察温控器上温度应与温度表上的温度是否相符，误差允许 $\pm 2^{\circ}\text{C}$ 。

注意：设定温度时一定要参考塑胶原料之干燥温度，温度调节过高时，护屏分离器上之原料，因受高热而结块，以致发生严重故障，因此温度设定必须顾虑此点，配合实际经验进行设定。

另干燥机配有超温保护器，保护电热管不会因干烧而损坏，此温度出厂即设定固定值为 130℃。

Refer to the Drying Temperature Table of Plastic Materials and set the scale of the temperature regulator from 0~199℃. After heating some time, the yellow and red pilot lamp light in turn, means that it has gotten the setting temperature, meanwhile observe the temperature of controller is in accordance with the temperature on the temperature meter. The error is  $\pm 2^{\circ}\text{C}$ .

Notes: When setting temperature must refer to the drying temperature of plastic material, when temperature is too high, the materials on the shade separator will agglomerate which tends to cause machine failure. The actual experience will help you for proper adjustment on temperature.

Over-heat protector is added to prevent pipe heater from being burned. The temperature is set 130℃ before shipment.

塑胶原料之干燥温度参考表: (The drying temperature table of plastic material)

原料/Raw material	干燥温度/Dry temp.		干燥时间/Dry time
ABS AS	80°C	176°F	2.5 H
PE PP	90°C	194°F	1 H
PU	90°C	194°F	2.5 H
PA	75°C	167°F	5 H
PC	120°C	248°F	2.5 H
PPT	130°C	266°F	2.5 H

## 7. 自动定时设置 Setting timing

在所有开关打开的前提下, 打开定时设置开关 $\text{ⓐ}$ , 取下定时器的外透明罩, 将定时器左上角的小黑色开关推至 Auto 状态, 调右上角开关至电压频率到用户使用电压之频率, 然后设定当前时间, 再设定需要干燥的时间, (用于将定时器外圈的齿向内圈压下, 从开始干燥的时间至结束干燥的时间), 然后罩上透明罩, 干燥机到预定的干燥时间便自动工作或停机. (详见 8.2 干燥机附定时器铭板)

Before turning on all the switch, turn the timing switch  $\text{ⓐ}$  on, take the transparent lid down, and shift the small black switch on top left of timer to be Auto. Adjust the voltage frequency switch on top right to required voltage frequency, then set current time and drying time, at last cover the transparent lid. The dryer will be work automatically. (See the chapter 8.2)

## 8. 用户选用指南 Customer Instruction

信易 SHD 系列干燥机适用于对颗粒状的塑胶原料进行干燥, 干燥机容量大小的选用, 不同的塑胶原料的干燥时间, 干燥温度参照第 14 页的干燥机系列表进行选用。该干燥机的料斗里装有护屏器和孔屏器; 可以将干燥过的原料和正在干燥的原料分离开来, 根据所需要风力的大小, 可以调节风叶进风口大小, 能实现快速干燥的目的。

注意: 干燥过程中, 塑胶制品中的灰尘和微粒会从排风管处排出, 这样会对工作环境造成影响, 购买我公司干燥机产品时可选用配件“旋风集尘器”, 可以充分解决此问题。

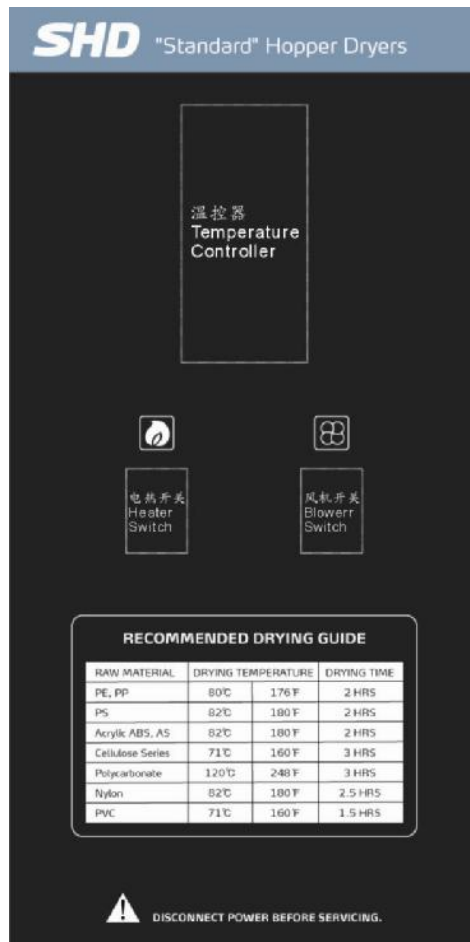
SHINI series of SHD dryer are designed for drying the plastic granule, refer to

dryer series table on page 14 to select the dried capacity, drying time and temperature of various plastic. The shade separator and screen separator in the hopper can separate the dried material from the drying material. According the required wind force to adjust the ventilation outlet size of the air vane, and carry out rapid dry effect.

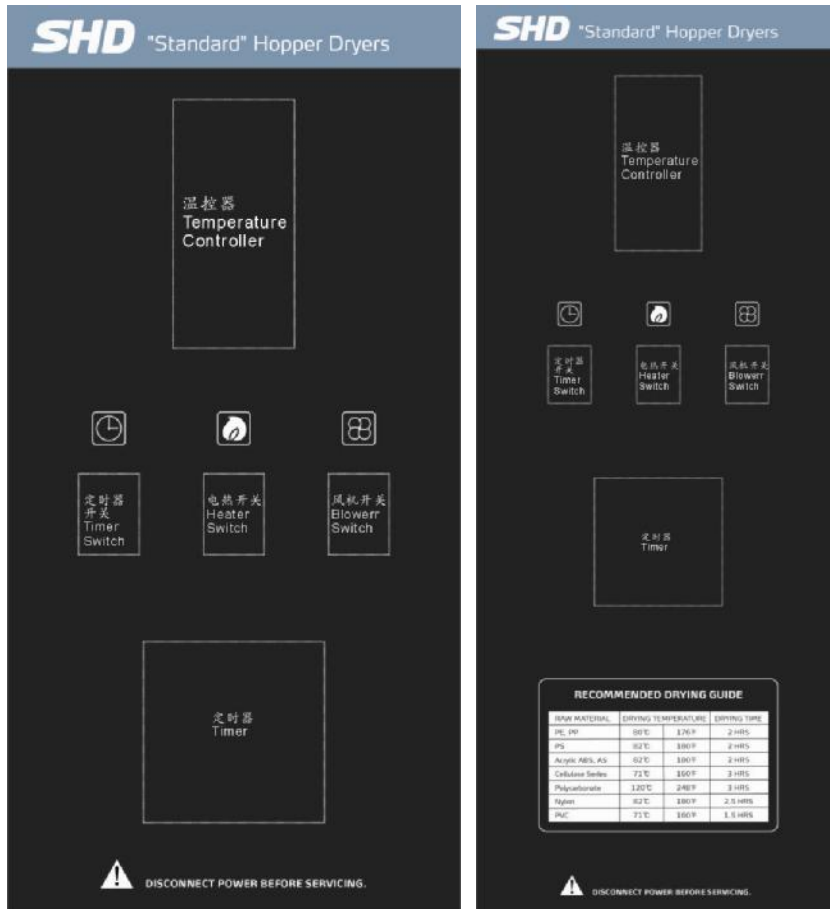
NOTES: During the drying, dust and granule of plastic will give off from the exhaust pipe and make pollution, but this can be solved fully by ordering SHINI spare part-cyclone.

## 9. 面板及操作 Name plate and operation

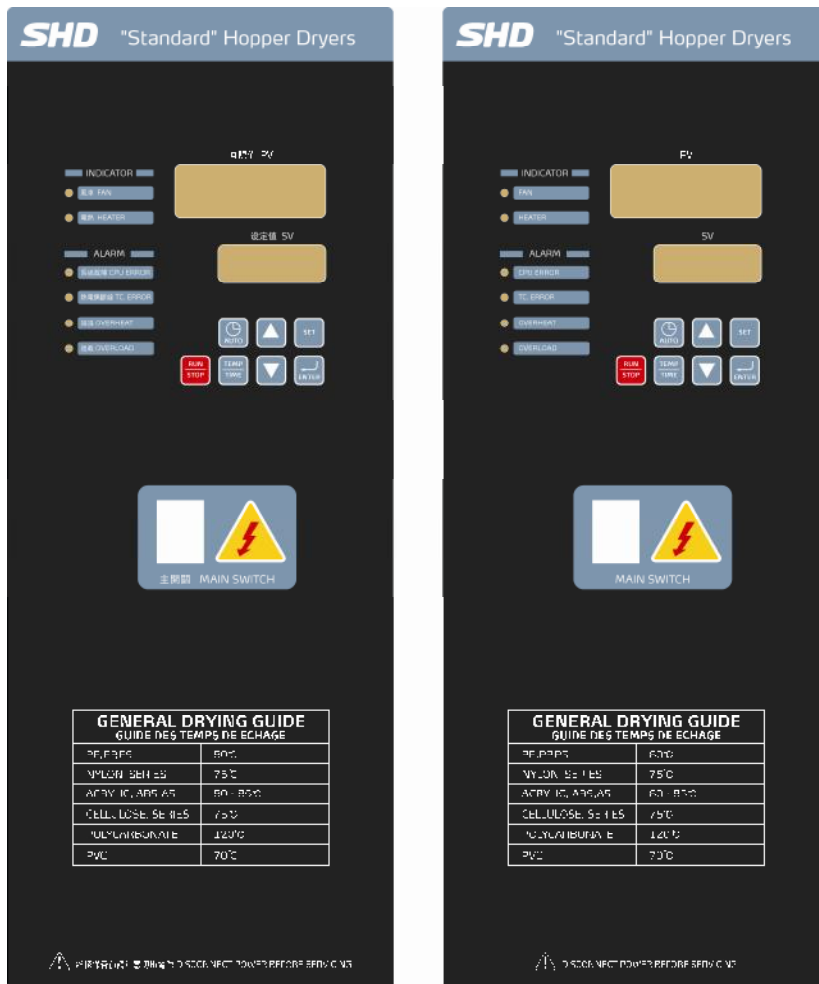
### 9.1 干燥机面板 Name plate



## 9.2 干燥机附定时器面板 Name plate



### 9.3 干燥机微电脑控制面板 Name plate



### 9.4 微电脑控制操作 Operation

#### 9.4.1 面板操作 Panel operating steps

1. 打开主开关
2. 按"ON/OFF"键, 开始进行烘料作业.
3. 按"AUTO"键即可预约定时开机. (详见 8.3.4 章)

1. Turn on the main switch.
2. Press "ON/OFF" key, begin to dry material.

3. Press "AUTO" key to set auto start-up time.(see chapter 8.3.4)

#### 9.4.2 温度设定 Temperature setting

1. 按"SET"键后设定数字会开始闪动, 此时可按▲▼键来增减温度设定值。

2. 当温度设定完成后按"ENTER"键以确定输入值。

1. Press "SET" key, the value flashes on display, then press keys to increase or decrease the setting temperature value.

2. Press "ENTER" key to confirm above setting.

#### 9.4.3 间歇式运转设定 OFF-and-ON run system setting

干燥周期(0-ON)时间 ⇔ 停机周期(0-OFF)时间

Dry period (0-ON) time ⇔ Dry period (0-ON) time

1. 按"SET"键将温度设定值转变成时间设定值。按"TEMP/TIME"键不设定模式。此时"SV/设定值"的文字开始闪烁, "PV/实际值"显示 0-ON.

2. "PV/实际值"显示"0-ON"代表干燥周期时间, "0-OFF"代表停机周期时间。按▲▼键来增减时间值, 每按一次▲▼则时间增减 15 分钟。

3. 按"ENTER"键确定输入值, 并进入下一选项"0-OFF", 并重复步骤 2。

4. 取消间歇式运转则于 0-ON, 0-OFF 任一输入 00.00 则取消间歇式运转。

1. Press "TEMP/TIME" key and "SET" key at the same time, enter setting mode. Then the "DESIRED TEMP." will flash, and "ACTUAL TEMP." displays 0-ON.

2. "ACTUAL TEMP." area displays 0-ON for dry period, on "DESIRED TEMP." area displays 0-OFF for stoppage period time. Press ▲▼ keys to increase or decrease the setting time, push one time it can be adjust to 15 minutes.

3. Press "ENTER" key to confirm the input value, and enter the 0-OFF setting, Repeat the step 2.

4. In state 0-ON or 0-OFF, input the value "0.00" to undo this function.

#### 9.4.4 一周定时开机的设定 Auto start-up timer setting (one week)

1. "PV/实际值"显示"0-ON"代表干燥周期时间, "0-OFF"代表停机周期时间。按▲▼

键来增减时间值，每按一次▲▼则时间增减 15 分钟。

2. 按"ENTER"键确定输入值，并进入下一选项"0-OFF"，并重复步骤 1。直至 PV 显示 1-ON 表示周一开机时间。
3. 当时间设定完成后按"ENTER"键以确定输入，并进入下一选项 1-OFF 为周一 OFF 时间如此重复步骤 1,2 可分别设定周一至周日(7-OFF)之 ON/OFF 时间。
4. 按"SET"键可取消设定回到正常模式。
5. 不需定时开/关机则将时间设定为 0.00。

1. "ACTUAL TEMP." area displays 0-ON for dry period, on "DESIRED TEMP." area displays 0-OFF for stoppage period time. Press ▲▼ keys to increase or decrease the setting time, push one time it can be adjust to 15 minutes.
2. Press "ENTER" to confirm the input value, and enter the 0-OFF setting, repeat the step 1. Till display "1-ON" denotes every Monday time.
3. Press "ENTER" key to confirm the setting value, and enter the next item 1-OFF setting. Repeat this steps to set separately ON or OFF time from Monday (1-OFF) to Sunday (7-OFF)
4. Press "SET" key to cancel the setting value, and press "ENTER" key to confirm the setting value.
5. Input the time value "0.00" to undo this function.

#### 9.4.5 现在时间校正 Present time adjusting

1. 重复上述步骤直至 PV 显示 TIME 表示现在时间。
2. 按 ▲▼ 增加减少时间。
3. 确定后按 "ENTER" 键 PV 显示 DAY 表示星期日数。
4. 按 ▲▼ 键增加减少日数。
5. 按"SET" 键可取消设定。

1. Repeat above steps, till "ACTUAL TEMP." area displays present time.
2. Press ▲▼ keys to increase or decrease the time.

3. Press "ENTER" to confirm the input time, then "ACTUAL TEMP." Area displays present date.
4. Press ▲▼ keys to increase or decrease the date.
5. Press "SET" to cancel the setting value.

#### 9.4.6 一周定时开机启动 Auto start-up timer start (one week)

1. 重复上述定时时间及现在时间设定，完成后便可启动一周定时。
2. 开机状态或关机状态 "AUTO" 键即可预约定时开关机，此时 PV 区域由时间与温度交互显示。
3. 如欲取消一周定时则再按一次"AUTO"键即可。

1. Repeat above auto start-up time and present time setting steps, then enter to start one week timing.
2. Press "AUTO keys to enter auto start-up timer, and the "ACTUAL TEMP." area displays the time and temperature.
3. Press "AUTO" once more to cancel this function.

#### 9.4.7 错误代码说明/Error code description

错误代码 Error code	说明	Description
E-01	感温线断线	Thermocouple break
E-02	逆相	Phase reversed
E-03	过载	Overload
E-05	温度过高	Overheat
E-06	超过本机最高温	Over than the highest temp.
E-08	记忆体错误	Memory error



## 10. 维护与保养 Maintenance and repair

### 10.1 风机 Blower

- 1) 应定时清理风机内部及外部 (特别是进风口的空气通路), 除去表面灰尘。
- 2) 定期清除风车风叶上的异物, 以免损坏风车。
- 3) 经常观察检测护屏器和孔屏器是否有扭曲变形现象。

- 1) Clean the blower regularly (especially the air inlet path).
- 2) Eliminate the fan's dirt regularly to avoid the damage to the blower.
- 3) Make sure the screen separator and shade separator is in shape.



**注意! Attention!**

电控箱内所有安装电气组件的螺丝全部锁紧, 无需定期检查!

No need for regular inspection because all the electrical parts in the control unit are fixed tightly!

## 11. 常见故障及其排除 Troubleshooting

故障现象 Fault	产生的原因 Possible reasons	排除方法 Solution
风车转向与箭头相反 Blower rotating on the contrary with arrow	1. 风车接线反相 1. Blower circuit connection reverse phase.	1. 对换任意两条风机电源线 1. Exchange two of the electrical wires.
风车不转热风冒烟 Blower not turning hot air pipe reeky	1. 电机故障 2. 电磁开关触点开路 1. Motor fault. 2. Failures of solenoid switch.	1. 检查更换 2. 检查更换或修复 1. Check and change. 2. Change or repair.
风车不转不加热 Blower not rotating and not heating	1. 过载器跳脱 2. 变压器故障 3. 保险丝熔断 4. 电源故障 1. Overload jumped. 2. Transformer fault. 3. Fuse melted. 4. Power supply fault.	1. 检查更换 2. 检查更换 3. 检查更换 4. 检查是否欠相 1. Check and change. 2. Check and change. 3. Check and change. 4. Check if lack of phase.
风车运转但没有温度 No temperature for blower running	1. 电热管连接铅片熔断 2. 电磁开关故障 3. 电热管故障 4. 温控器故障无输出 5. 热电偶故障 1. Plumb slip of heater pipe melted. 2. Magnetic switch fault. 3. Heater pipe fault. 4. Power supply fault. 5. Thermocouple fault.	1. 检查更换 2. 检查更换并修复 3. 检查更换 4. 更换温控器 5. 更换热电偶 1. Check and change. 2. Check and change. 3. Check and change. 4. Check if lack of phase. 5. Change.
风车运转温度不够 The blower can run but temperature is too low	1. 电热管或铅片不良 2. 温度保护器断路或者跳脱 3. 电磁开关欠相 4. 温控器损坏或误差太大 1. Plumb slip of heater pipe fault. 2. EGO jumped or breaking. 3. Magnetic switch is lack of phase. 4. Temperature controller is damaged or its error is too much.	1. 检查更换 2. 检查或复位 3. 检查更换 4. 更换温控器 1. Check and change. 2. Check or re-set. 3. Check and change. 4. Change the temperature controller.
风车运转但温度超高 The blower can run but temperature is too high	1. 热风管堵塞 2. 温控器故障或误差太大 3. 电磁开关触点粘合 1. Hot-air pipe is jam. 2. Temperature controller is fault or its error is too much. 3. Electromagnetic switch contacts stuck up.	1. 清理 2. 更换温控器或调节微调按钮 3. 更换 1. Cleaning. 2. Change the temp. Controller or adjust inching switch. 3. Change.



注意：检测或更换器件时，一定要使主电源处于“OFF”状态。

Notes: Before inspecting or changing spare parts, ensure the main switch should be off.

## 12. 干燥机系列规格

机型 SHD	12	25	50	75	100	150	200	300	400	500	600	800	1000
干燥电热 Heater Power (kW)	2.2	3	3.9	4.2	6	6.6	12	15	18	19.5	21	24	32
风机 Blower Power (50/60Hz kW)	0.05	0.12	0.12	0.12	0.12	0.12	0.18	0.18	0.18	0.18	0.55	1.1	1.1
装料量 Loading Capacity (L)	12	25	50	75	100	150	200	300	400	500	600	800	1000
H(mm)	790	1015	1145	1240	1340	1580	1580	1980	2170	2350	2570	2760	3060
H1(mm)	690	925	1045	1150	1340	1605	1332	1432	1900	1900	2075	2300	2530
H2(mm)	317	410	380	475	470	470	550	550	838	838	838	1010	1010
H3(mm)	370	460	520	620	725	970	975	1220	1220	1400	1545	540	540
H4(mm)	106	210	220	220	226	226	184	184	334	334	334	1550	1845
H5(mm)	115	150	150	150	158	158	158	158	283	283	283	283	283
W(mm)	660	725	840	900	955	955	1230	1230	1365	1365	1365	1420	1420
D(mm)	360	405	490	550	605	605	770	770	915	915	950	600	600
D1(mm)	130	158	158	158	238	238	238	238	345	345	345	345	345
W1(mm)	130	148	148	148	238	238	238	238	345	345	345	345	345
ΦA(mm)	325	385	470	530	595	595	750	750	910	910	910	960	960
ΦB(mm)	55	55	55	55	90	90	90	90	105	105	105	105	105
净重 Weight (kg)	35	40	45	55	70	75	100	120	165	170	240	280	300

- 注：1) 加装 24 小时定时器，机型后加注“T”  
 2) SHD-300 及以下机型改附铝制磁力底座，机型后面加注“M”  
 3) 改选配双层保温料桶，机型后加注“I”  
 4) 改为单相电压，机型后加注“S”(仅适合于 SHD-75 及以下机型)  
 5) 改为欧规安全回路型时，机型后加注“CE”  
 6) 以上装料量是以堆积密度约 0.65kg/L，直径为 3~5mm 塑料原料颗粒为标准  
 7) 机器电压规格为：3Φ，400VAC，50Hz

- Note: 1) Install 24hr timer, add "T" at the back of the model.  
 2) Additional note of "M" will be added to SHD-300 and below models, the bases of which are changed to be magnetic bases.  
 3) Change into double insulated layer, add "I" at the back of the model.  
 4) Additional note of "S" will be added to model, the voltage of which is changed to be single-phase voltage.(Only applicable for SHD-75 and modes below).  
 5) Upon request, it can be built to comply with worldwide electrical safety standards .  
 6) Above loading capacity is based on pellet material of 0.65kg/L in bulk density and 3~5mm in diameter.  
 7) Power: 3Φ, 230/400/460/575VAC, 50/60Hz.

干燥机的干燥量 (kg/hr) (参考使用)  
 Dryer drying capacity (kg/hr) (Selection Guide)

塑胶料名称 Material	SHD 系列 (Model SHD)							实际干燥时间 Drying time	干燥温度 Drying Temp.
	12	25	50	75	100	150	200		
聚苯乙烯 Polystyrene	8	20	50	75	100	150	200	0.75hrs	80°C
聚乙烯 Polyethylene	8	20	50	75	100	150	200	0.75hrs	80°C
Poly propylene	8	20	50	75	100	150	200	0.75hrs	80°C
Polystyrene H-D	6	14	38	57	80	115	150	1hrs	80°C
ABS	4	8	20	30	40	60	80	1hrs	80°C
Nylon 11, 12	2	4	10	13	20	27	35	4hrs	75°C
Nylon6/6, 6/10	1.5	3.2	8	11	16	22	30	5hrs	75°C
Nylon 6	1	2	5	7	10	15	20	7hrs	75°C
丙烯酸系纤维 Acrylic fiber	2.5	6	12	22	30	45	60	2.5hrs	80°C
醋酸纤维素 Cellulose acetate	2.5	6	17	26	35	52	70	2.25hrs	75°C
Butyrate	4	10	25	37	50	75	100	1.5hrs	
Polycarbonate	1.5	4	10	15	20	30	40	3hrs	120°C
Rigid PVC	5	12	30	45	60	90	120	1.25hrs	70°C

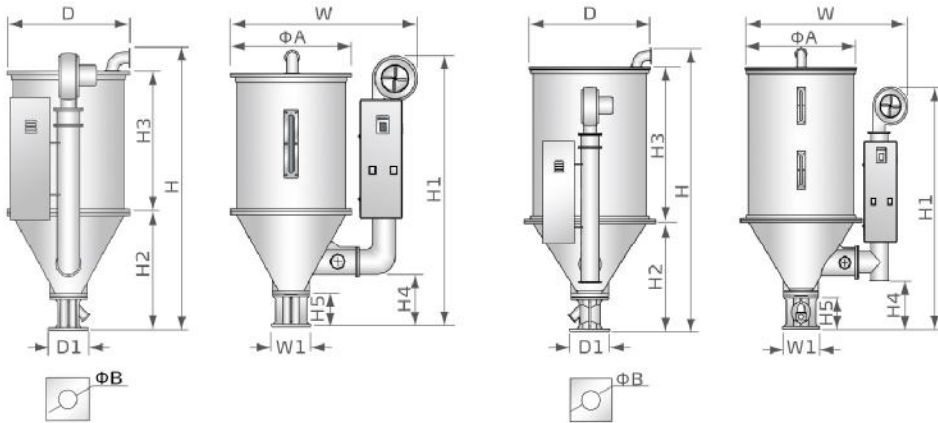
注意: 在环境温度为 20°C, 湿度为 65% 的条件下, 干燥过后塑胶料的含水率不会超过 0.2%。  
 Notes: Based on relative humidity 65% with ambient temperature of 20°C, moisture content after drying can be 0.2% or less.

塑胶料名称 Material	SHD 系列 (Model SHD)						实际干燥时间 Drying time	干燥温度 Drying Temp.
	300	400	500	600	800	1000		
聚苯乙烯 Polystyrene	300	400	500	600	800	1000	0.75hrs	80°C
聚乙烯 Polyethylene	300	400	500	600	800	1000	0.75hrs	80°C
Poly propylene	300	400	500	600	800	1000	0.75hrs	80°C
Polystyrene H-D	225	300	375	440	600	750	1hrs	80°C
ABS	120	160	200	240	320	400	1hrs	80°C
Nylon 11, 12	60	80	100	120	160	200	4hrs	75°C
Nylon6/6, 6/10	45	65	80	100	130	165	5hrs	75°C
Nylon 6	35	50	60	70	90	110	7hrs	75°C
丙烯酸系纤维 Acrylic fiber	100	140	165	200	265	330	2.5hrs	80°C

醋酸纤维素 Cellulose acetate	110	150	180	220	300	375	2.25hrs	75°C
Butyrate	160	220	275	330	380	430	1.5hrs	
Polycarbonate	75	90	105	120	160	200	3hrs	120°C
Rigid PVC	185	250	305	380	445	510	1.25hrs	70°C

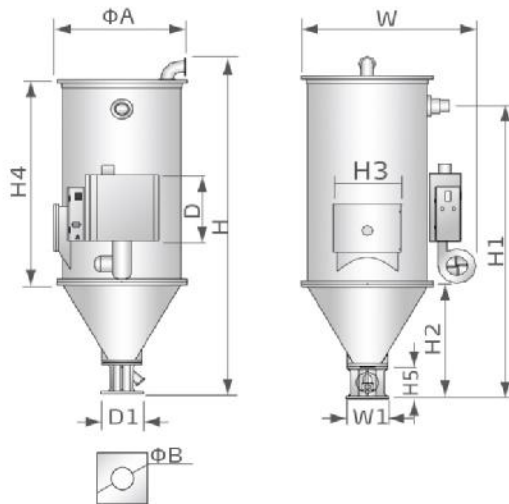
注意: 在环境温度为 20°C, 湿度为 65% 的条件下, 干燥过后塑胶料的含水率不会超过 0.2%。  
Notes: Based on relative humidity 65% with ambient temperature of 20°C, moisture content after drying can be 0.2% or less.

### 13. 干燥机外形尺寸 External Dimensions



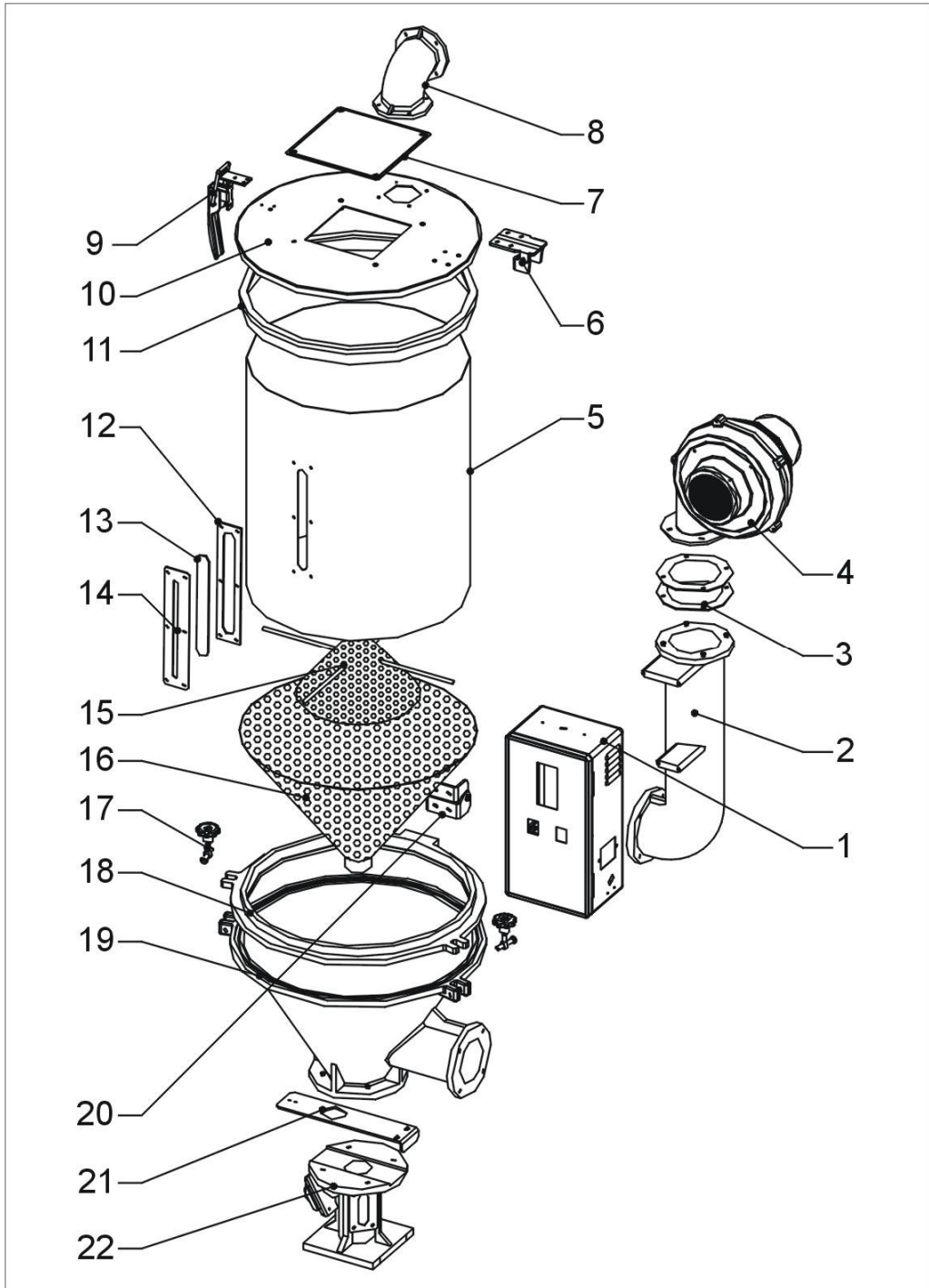
SHD-25~150

SHD-12&SHD-200~600

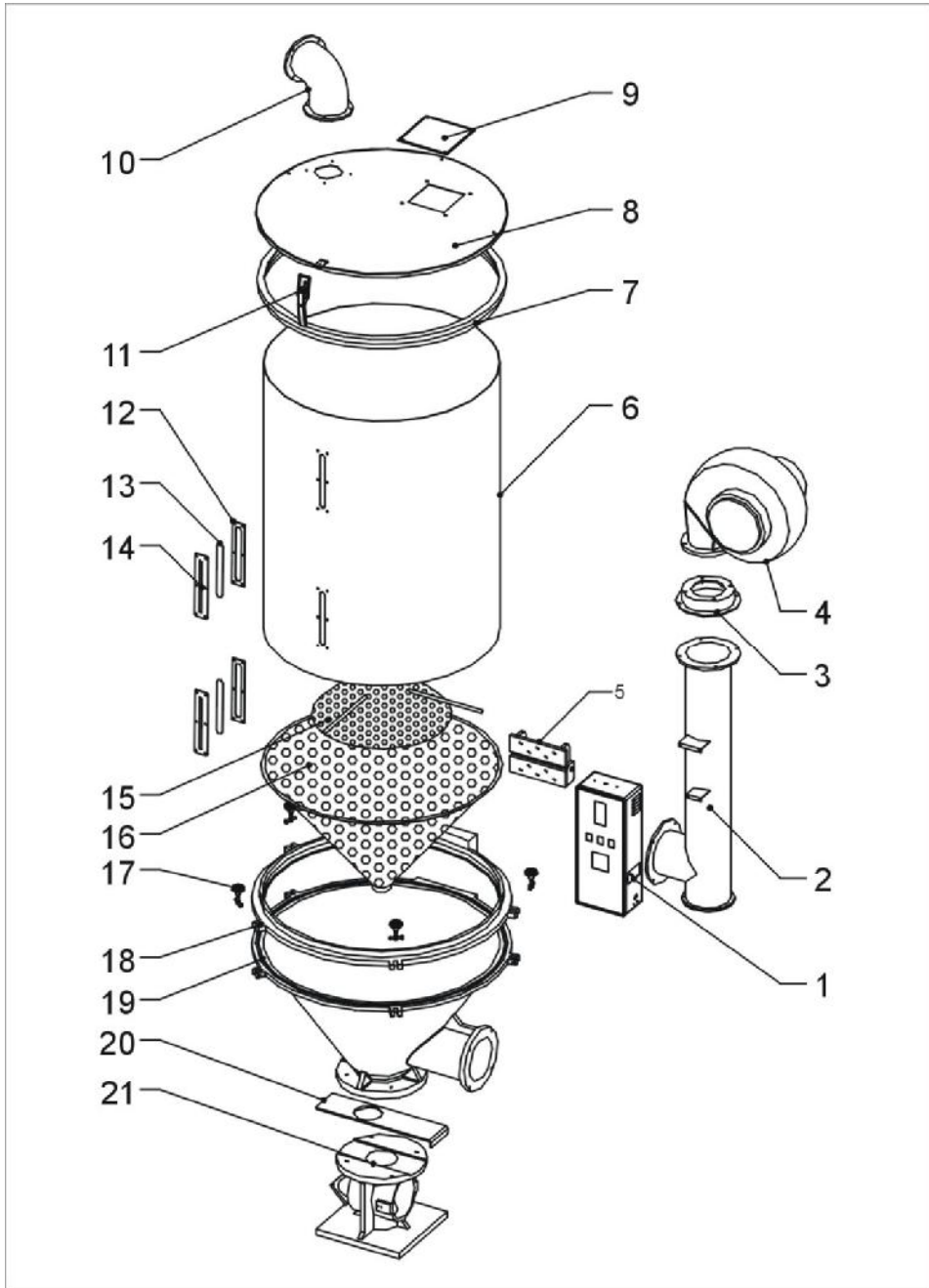


SHD-800~1000

# 14. 干燥机零件图 Spare Parts of SHD

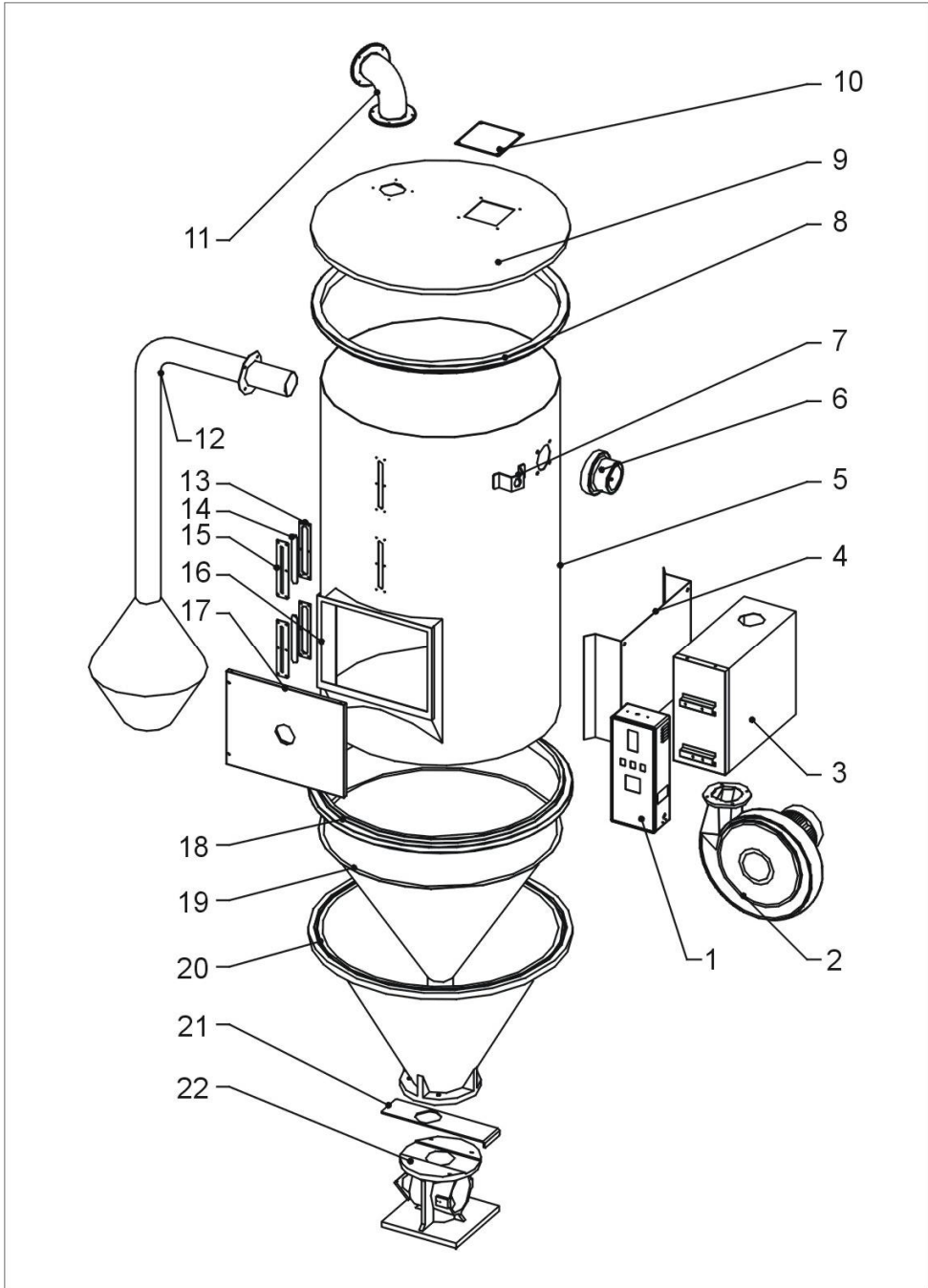


SHD-12~300



SHD-400~600





SHD-800~1000



## 15. 干燥机零件表 ( Spare Parts List )

序号	名称	物料编号			
		SHD-12	SHD-25	SHD-50	SHD-75
1	控制箱** Control box	BH31001200350	BH31002500450	BH31005000750	BH31007500250
2	热风管**Hot-air pipe	-	-	-	-
3	风车固定座 Blower fixing plate	-	-	-	-
4	风机*Blower	BM4001500550	BM40002500350	BM40003000250	BM40003000250
5	储料桶 Storage tank	-	-	-	-
6	盖后钮 Hinge at hopper	-	-	-	-
7	四方板 Four square plate	-	-	-	-
8	排风管 Exhaust pipe	-	-	-	-
9	把手 Handle	YW00121000000	YW00121000000	YW00121000000	YW00121000000
10	桶盖 Hopper cover	-	-	-	-
11	桶上圈 Upper springe	-	-	-	-
12	六孔视料窗迫紧 Six-hole visual window seal	-	-	-	-
13	六孔视料窗钢化玻璃 Tempered glass on Six-hole sight window	-	-	-	-
14	六孔视料窗铁片 Six-hole visual window chip	-	-	-	-
15	孔屏器**Screen separator	-	-	-	-
16	护屏器**Shade separator	-	-	-	-
17	梅花螺杆 Quincunxial bolt rod	-	-	-	-
18	桶下圈 Lower springe	-	-	-	-
19	料斗 Hopper	BA10001202210	-	-	-
20	桶后钮 Hinge at lid	-	-	-	-
21	关料板 Closed plate	-	-	-	-
22	标准底座**Standard base	BY10012000150	BY10050000550	BY10050000550	BY10050000550

\*表示可能损坏的项目； \*\*表示较可能损坏的项目，建议备份。

请在下单采购零配件之前，先确认说明书版本号，以确保零配件物料号与实物一致。

\* means possible broken parts.

\*\* means easy broken part. and spare backup is suggested.

Please confirm the version of manual before placing the purchase order to guarantee that the item number of the spare part is in accordance with the real object.

序号	名称	物料编号			
		SHD-100	SHD-150	SHD-200	SHD-300
1	控制箱** Control box	BH31101500350	BH31101500350	BH31020000550	BH31030000950
2	热风管**Hot-air pipe	-	-	-	-
3	风车固定座 Blower fixing plate	-	-	-	-
4	风机*Blower	BM40004000150	BM40004000150	BM40005000150	BM40005000150
5	储料桶 Storage tank	-	-	-	-
6	盖后钮 Hinge at hopper	-	-	-	-
7	四方板 Four square plate	-	-	-	-
8	排风管 Exhaust pipe	-	-	-	-
9	把手 Handle	YW00121000000	YW00121000000	YW00121000000	YW00121000000
10	桶盖 Hopper cover	-	-	-	-
11	桶上圈 Upper springe	-	-	-	-
12	六孔视料窗迫紧 Six-hole visual window seal	-	-	-	-
13	六孔视料窗钢化玻璃 Tempered glass on Six-hole sight window	-	-	-	-
14	六孔视料窗铁片 Six-hole visual window chip	-	-	-	-
15	孔屏器**Screen separator	-	-	-	-
16	护屏器**Shade separator	-	-	-	-
17	梅花螺杆 Quincunxial bolt rod	-	-	-	-
18	桶下圈 Lower springe	-	-	-	-
19	料斗 Hopper	-	-	-	-
20	桶后钮 Hinge at lid	-	-	-	-
21	关料板 Closed plate	-	-	-	-
22	标准底座**Standard base	BY10200000050	BY10200000050	BY10200000050	BY10200000050

\*表示可能损坏的项目； \*\*表示较可能损坏的项目，建议备份。

请在下单采购零配件之前，先确认说明书版本号，以确保零配件物料号与实物一致。

\* means possible broken parts.

\*\* means easy broken part. and spare backup is suggested.

Please confirm the version of manual before placing the purchase order to guarantee that the item number of the spare part is in accordance with the real object.

序号	名称	物料编号		
		SHD-400	SHD-500	SHD-600
1	控制箱** Control box	BH31040000450	BH31050000250	BH31060000850
2	热风管**Hot-air pipe	-	-	-
3	风车固定座 Blower fixing plate	-	-	-
4	风机*Blower	BM40005000150	BM40005000150	BM30055000150
5	桶后钮 Hinge at lid	-	-	-
6	储料桶 Storage tank	-	-	-
7	桶上圈 Upper springe	-	-	-
8	桶盖 Hopper cover	-	-	-
9	四方板 Four square plate	-	-	-
10	排风管 Exhaust pipe	-	-	-
11	把手 Handle	YW00121000000	YW00121000000	YW00121000000
12	六孔视料窗迫紧 Six-hole visual window seal	-	-	-
13	六孔视料窗钢化玻璃 Tempered glass on Six-hole sight window	-	-	-
14	六孔视料窗铁片 Six-hole visual window chip	-	-	-
15	孔屏器** Screen separator	-	-	-
16	护屏器**Shade separator	-	-	-
17	梅花螺杆 Quincunxial bolt rod	-	-	-
18	桶下圈 Lower springe	-	-	-
19	料斗 Hopper	-	-	-
20	关料板 Closed plate	-	-	-
21	磁力底座** Magnetic base	BY10400000050	BY10400000050	BY10400000050

\*表示可能损坏的项目；\*\*表示较可能损坏的项目，建议备份。

请在下单采购零配件之前，先确认说明书版本号，以确保零配件物料号与实物一致。

\* means possible broken parts.

\*\* means easy broken part. and spare backup is suggested.

Please confirm the version of manual before placing the purchase order to guarantee that the item number of the spare part is in accordance with the real object.

序号	名称	物料编号	
		SHD-800	SHD-1000
1	控制箱** Control box	BH31080000350	BH31100000450
2	风机*Blower	BM30113230050	BM30113230050
3	加热箱 Heating box	-	-
4	加热箱固定板 Heating box mounting plate	-	-
5	储料桶 Storage tank	-	-
6	下吹风管法兰 The briefing flange	-	-
7	吊环 Rings	-	-
8	桶上圈 Upper springe	-	-
9	桶盖 Hopper cover	-	-
10	四方板 Four square plate	-	-
11	排风管 Exhaust pipe	-	-
12	下吹风管 Down blowing pipe	-	-
13	六孔视料窗迫紧 Six-hole visual window seal	-	-
14	六孔视料窗钢化玻璃 Tempered glass on Six-hole sight window	-	-
15	六孔视料窗铁片 Six-hole visual window chip	-	-
16	清理门框 Clearance door frame	-	-
17	清理门 Cleaning gate	-	-
18	桶下圈 Lower springe	-	-
19	护屏器**Shade separator	-	-
20	料斗 Hopper	-	-
21	关料板 Closed plate	-	-
22	磁力底座**Magnetic bases	BY10400000050	BY10400000050

\*表示可能损坏的项目；\*\*表示较可能损坏的项目，建议备份。

请在下单采购零配件之前，先确认说明书版本号，以确保零配件物料号与实物一致。

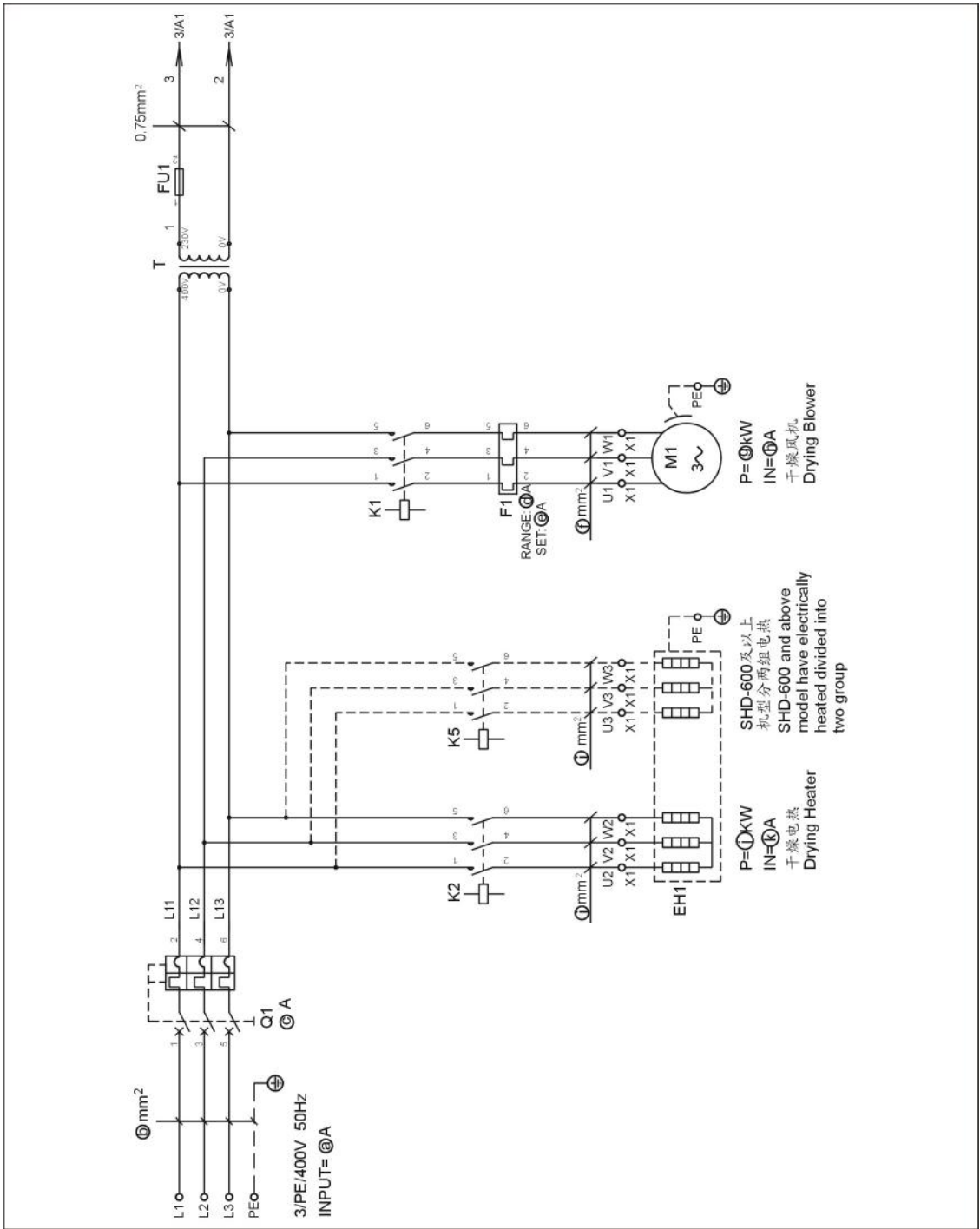
\* means possible broken parts.

\*\* means easy broken part. and spare backup is suggested.

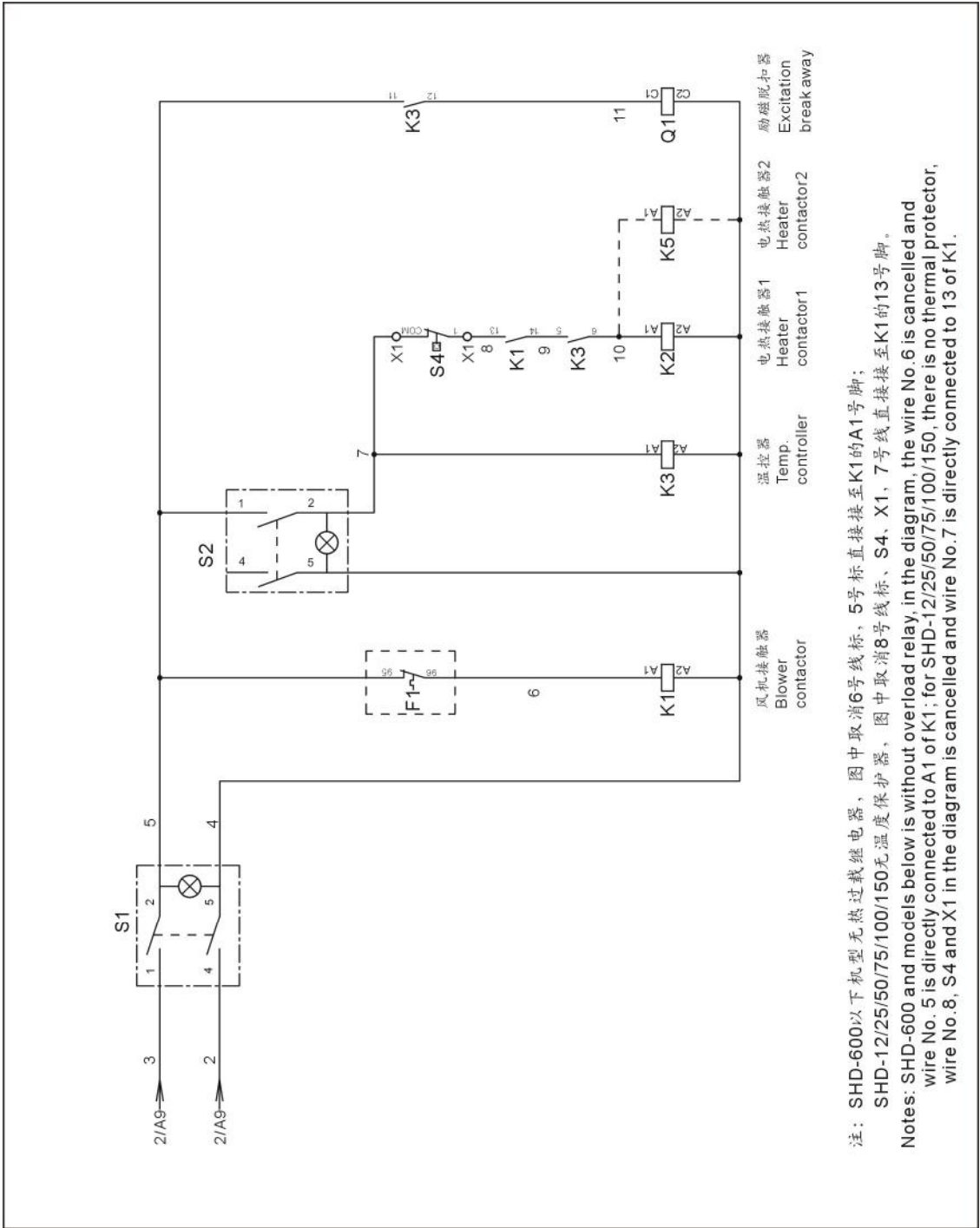
Please confirm the version of manual before placing the purchase order to guarantee that the item number of the spare part is in accordance with the real object.



## 16.2 主电路图 Main Electrical Circuit SHD-12~1000 (3Φ 400V)



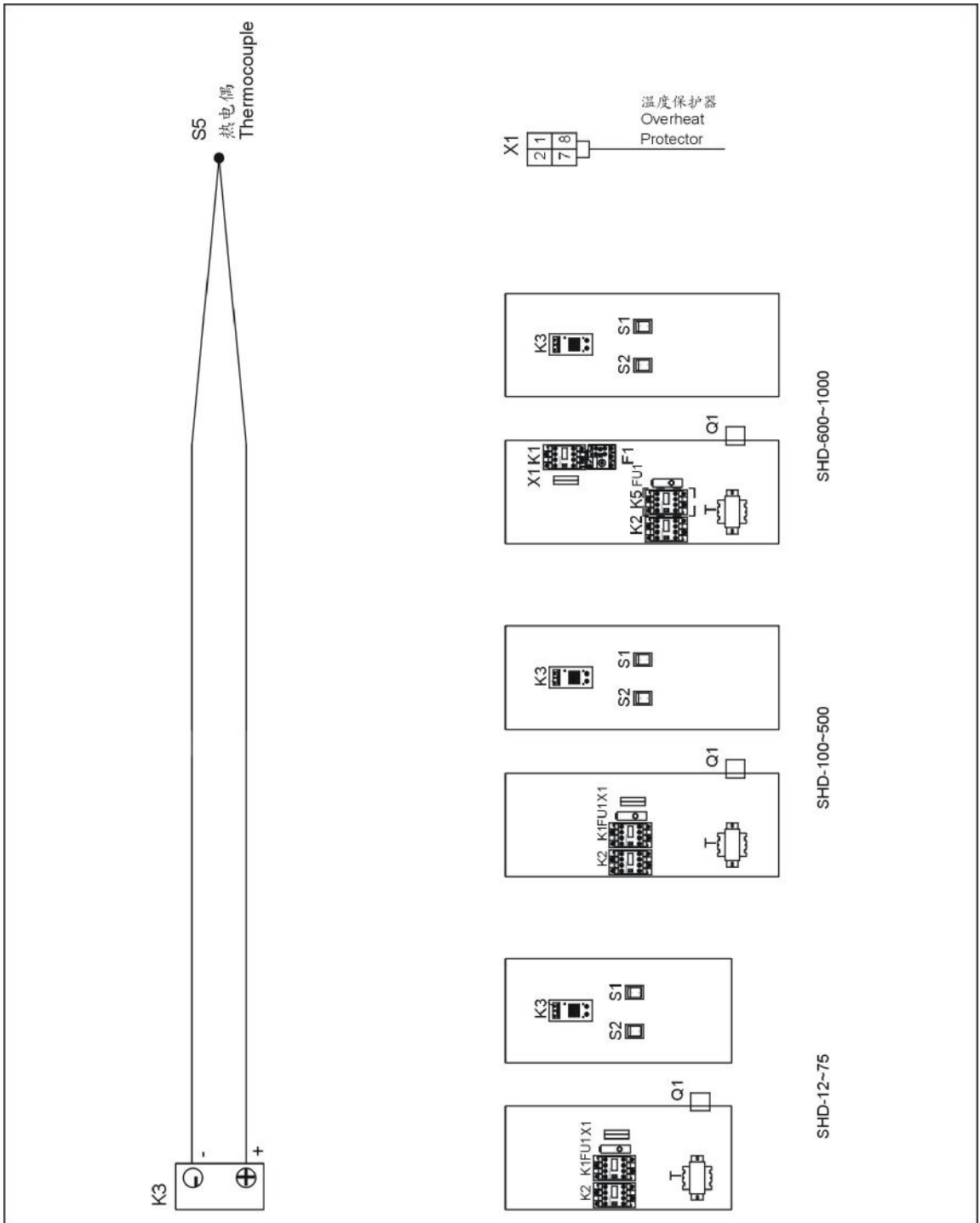
### 16.3 控制电路图 Control Circuit SHD-12~1000 (3Φ 400V)



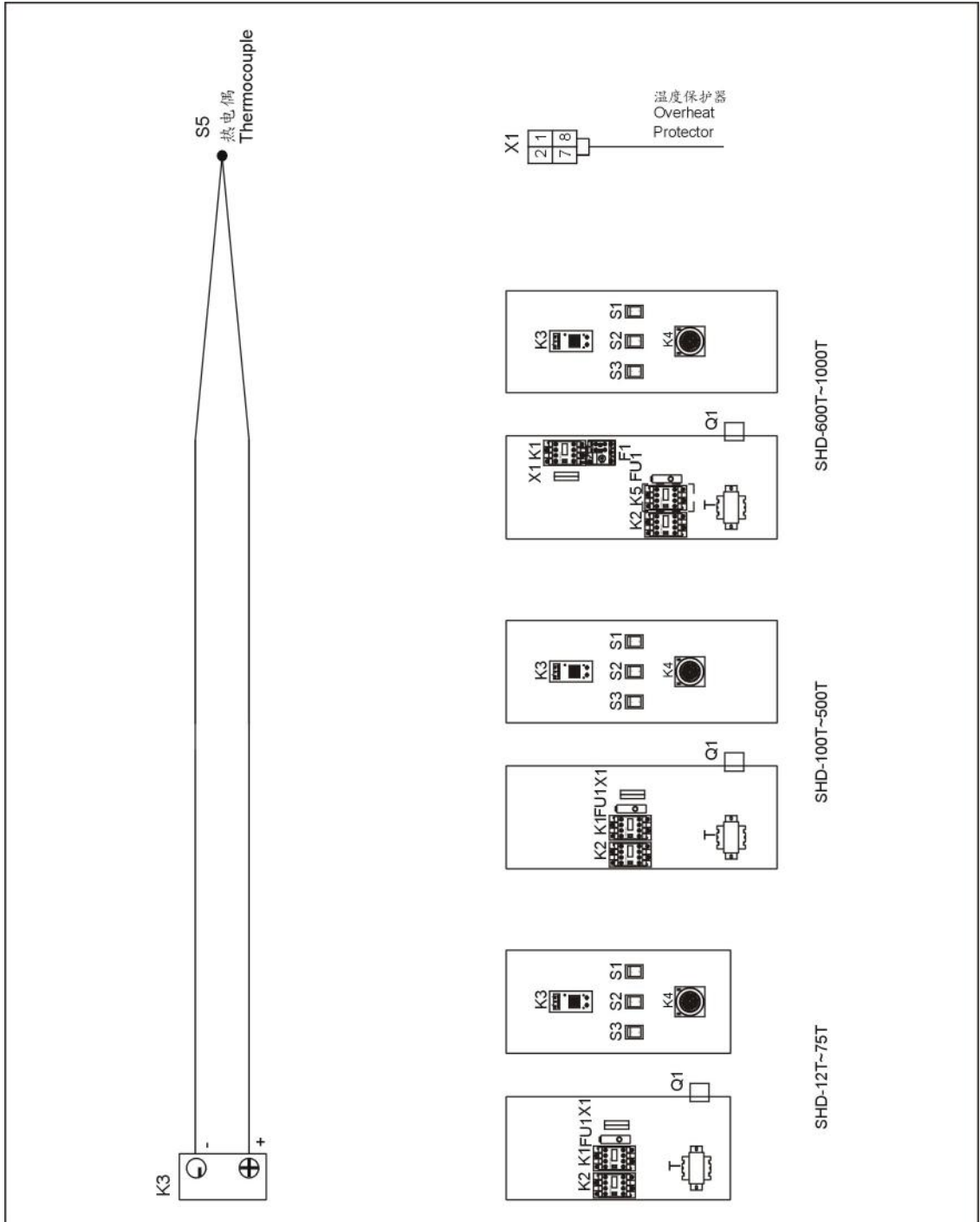




## 16.5 组件布置及端子接线图 Layout and Component Video Wiring Diagram (SHD-12~1000)(3Φ 400V)



## 16.6 组件布置及端子接线图 Layout and Component Video Wiring Diagram (SHD-12T~1000T)(3Φ 400V)



## 16.7 电气组件明细 Bill of Electrical Parts (SHD-12~1000 400V)

### 16.7.1 电气组件明细表 Bill of electrical parts (SHD-12) (400V)

序号 No.	符号 Symbol	名称 Parts Name	规格 Seecifications	物料编号 Parts No.
1	Q1	断路器*Circuit Breaker	10A 3P 400V 50/60Hz	YE40600300000
2	-	Excitation Break Awayu	230V 50/60Hz	YE40023560000
3	K1	接触器*Contactor	220V 50/60Hz	YE00601521000
4	K2	接触器*Contactor	220V 50/60Hz	YE00601621000
5	K3	温控器* Temp. Controller	230V 50/60Hz	YE85019900000
6	K4	24小时定时器 24Hours Timer	230V 50/60Hz	YE86002400000
7	FU1	熔断器** Fuse	2A 250VAC	YE41001000000
8	T	变压器* Transformer	IN=400V OUT=230V 300mA	YE70040000200
9	S1 S2	切替开关 Control Switch	4P (WH)	YE10210400000
10	S3	切替开关 Control Switch	6P (WH)	YE10220600000
11	S5	热电偶* Thermocouple	-	-
12	M1	风机*Blower	400V 50Hz 0.05kW	-
13	EH1	电热管**Heater	400V 50Hz 2.2kW	-

\*表示可能损坏的项目；\*\*表示较可能损坏的项目，建议备份。

请在下单采购零配件之前，先确认说明书版本号，以确保零配件物料号与实物一致。

\* means possible broken parts.

\*\* means easy broken part. and spare backup is suggested.

Please confirm the version of manual before placing the purchase order to guarantee that the item number of the spare part is in accordance with the real object.

### 16.7.2 电气组件明细表 Bill of electrical parts (SHD-25) (400V)

序号 No.	符号 Symbol	名称 Parts Name	规格 Seecifications	物料编号 Parts No.
1	Q1	断路器* Circuit Breaker	10A 3P 400V 50/60Hz	YE40600300000
2	-	Excitation Break Awayu	230V 50/60Hz	YE40023560000
3	K1	接触器* Contactor	220V 50/60Hz	YE00601521000
4	K2	接触器* Contactor	220V 50/60Hz	YE00601621000
5	K3	温控器* Temp. Controller	230V 50/60Hz	YE85019900000
6	K4	24小时定时器 24Hours Timer	230V 50/60Hz	YE86002400000
7	FU1	熔断器** Fuse	2A 250VAC	YE41001000000
8	T	变压器* Transformer	IN=400V OUT=230V 300mA	YE70040000200
9	S1 S2	切替开关 Control Switch	4P (WH)	YE10210400000
10	S3	切替开关 Control Switch	6P (WH)	YE10220600000
11	S5	热电偶* Thermocouple	-	-
12	M1	风机* Blower	400V 50Hz 0.12kW	-
13	EH1	电热管** Heater	400V 50Hz 3.0kW	-

\*表示可能损坏的项目；\*\*表示较可能损坏的项目，建议备份。

请在下单采购零配件之前，先确认说明书版本号，以确保零配件物料号与实物一致。

\* means possible broken parts.

\*\* means easy broken part. and spare backup is suggested.

Please confirm the version of manual before placing the purchase order to guarantee that the item number of the spare part is in accordance with the real object.

### 16.7.3 电气组件明细表 Bill of electrical parts (SHD-50) (400V)

序号 No.	符号 Symbol	名称 Parts Name	规格 Seecifications	物料编号 Parts No.
1	Q1	断路器* Circuit Breaker	10A 3P 400V 50/60Hz	YE40600300000
2	-	Excitation Break Awayu	230V 50/60Hz	YE40023560000
3	K1	接触器* Contactor	220V 50/60Hz	YE00601521000
4	K2	接触器* Contactor	220V 50/60Hz	YE00601621000
5	K3	温控器* Temp. Controller	230V 50/60Hz	YE85019900000
6	K4	24小时定时器 24Hours Timer	230V 50/60Hz	YE86002400000
7	FU1	熔断器** Fuse	2A 250VAC	YE41001000000
8	T	变压器* Transformer	IN=400V OUT=230V 300mA	YE70040000200
9	S1 S2	切替开关 Control Switch	4P (WH)	YE10210400000
10	S3	切替开关 Control Switch	6P (WH)	YE10220600000
11	S5	热电偶* Thermocouple	-	-
12	M1	风机* Blower	400V 50Hz 0.12kW	-
13	EH1	电热管** Heater	400V 50Hz 3.9kW	-

\*表示可能损坏的项目；\*\*表示较可能损坏的项目，建议备份。

请在下单采购零配件之前，先确认说明书版本号，以确保零配件物料号与实物一致。

\* means possible broken parts.

\*\* means easy broken part. and spare backup is suggested.

Please confirm the version of manual before placing the purchase order to guarantee that the item number of the spare part is in accordance with the real object.

### 16.7.4 电气组件明细表 Bill of electrical parts (SHD-75) (400V)

序号 No.	符号 Symbol	名称 Parts Name	规格 Seecifications	物料编号 Parts No.
1	Q1	断路器* Circuit Breaker	10A 3P 400V 50/60Hz	YE40600300000
2	-	Excitation Break Awayu	230V 50/60Hz	YE40023560000
3	K1	接触器* Contactor	220V 50/60Hz	YE00601521000
4	K2	接触器* Contactor	220V 50/60Hz	YE00601721000
5	K3	温控器* Temp. Controller	230V 50/60Hz	YE85019900000
6	K4	24小时定时器 24Hours Timer	230V 50/60Hz	YE86002400000
7	FU1	熔断器** Fuse	2A 250VAC	YE41001000000
8	T	变压器* Transformer	IN=400V OUT=230V 300mA	YE70040000200
9	S1 S2	切替开关 Control Switch	4P (WH)	YE10210400000
10	S3	切替开关 Control Switch	6P (WH)	YE10220600000
11	S5	热电偶* Thermocouple	-	-
12	M1	风机* Blower	400V 50Hz 0.12kW	-
13	EH1	电热管** Heater	400V 50Hz 4.2kW	-

\*表示可能损坏的项目；\*\*表示较可能损坏的项目，建议备份。

请在下单采购零配件之前，先确认说明书版本号，以确保零配件物料号与实物一致。

\* means possible broken parts.

\*\* means easy broken part. and spare backup is suggested.

Please confirm the version of manual before placing the purchase order to guarantee that the item number of the spare part is in accordance with the real object.

### 16.7.5 电气组件明细表 Bill of electrical parts (SHD-100/150) (400V)

序号 No.	符号 Symbol	名称 Parts Name	规格 Seecifications	物料编号 Parts No.
1	Q1	断路器* Circuit Breaker	15A 3P 400V 50/60Hz	YE40601500000
2	-	Excitation Break Awayu	230V 50/60Hz	YE40023560000
3	K1	接触器* Contactor	220V 50/60Hz	YE00601521000
4	K2	接触器* Contactor	220V 50/60Hz	-
5	K3	温控器* Temp. Controller	230V 50/60Hz	YE85019900000
6	K4	24小时定时器 24Hours Timer	230V 50/60Hz	YE86002400000
7	FU1	熔断器** Fuse	2A 250VAC	YE41001000000
8	T	变压器* Transformer	IN=400V OUT=230V 300mA	YE70040000200
9	S1 S2	切替开关 Control Switch	4P (WH)	YE10210400000
10	S3	切替开关 Control Switch	6P (WH)	YE10220600000
11	S5	热电偶* Thermocouple	-	-
12	M1	风机* Blower	400V 50Hz 0.12kW	-
13	EH1	电热管** Heater	400V 50Hz 6.0kW	-

\*表示可能损坏的项目；\*\*表示较可能损坏的项目，建议备份。

请在下单采购零配件之前，先确认说明书版本号，以确保零配件物料号与实物一致。

\* means possible broken parts.

\*\* means easy broken part. and spare backup is suggested.

Please confirm the version of manual before placing the purchase order to guarantee that the item number of the spare part is in accordance with the real object.

### 16.7.6 电气组件明细表 Bill of electrical parts (SHD-200) (400V)

序号 No.	符号 Symbol	名称 Parts Name	规格 Seecifications	物料编号 Parts No.
1	Q1	断路器* Circuit Breaker	25A 3P 400V 50/60Hz	YE40602500000
2	-	Excitation Break Awayu	230V 50/60Hz	-
3	K1	接触器* Contactor	12A 3P 1NO 230V 50/60Hz	YE00311000000
4	K2	接触器* Contactor	32A 3P 230V 50/60Hz	YE00340000000
5	K3	温控器* Temp. Controller	230V 50/60Hz	YE85019900000
6	K4	24小时定时器 24Hours Timer	230V 50/60Hz	YE86002400000
7	FU1	熔断器** Fuse	2A 250VAC	YE41001000000
8	T	变压器* Transformer	IN=400V OUT=230V 300mA	YE70040000200
9	S1 S2	切替开关 Control Switch	4P (WH)	YE10210400000
10	S3	切替开关 Control Switch	6P (WH)	YE10220600000
11	S5	热电偶* Thermocouple	-	-
12	M1	风车* Blower	400V 50Hz 0.18kW	-
13	EH1	电热管** Heater	400V 50Hz 12kW	-

\*表示可能损坏的项目；\*\*表示较可能损坏的项目，建议备份。

请在下单采购零配件之前，先确认说明书版本号，以确保零配件物料号与实物一致。

\* means possible broken parts.

\*\* means easy broken part. and spare backup is suggested.

Please confirm the version of manual before placing the purchase order to guarantee that the item number of the spare part is in accordance with the real object.



### 16.7.7 电气组件明细表 Bill of electrical parts (SHD-300) (400V)

序号 No.	符号 Symbol	名称 Parts Name	规格 Seecifications	物料编号 Parts No.
1	Q1	断路器* Circuit Breaker	32A 3P 400V 50/60Hz	YE40603200000
2	-	Excitation Break Awayu	230V 50/60Hz	-
3	K1	接触器* Contactor	12A 3P 1NO 230V 50/60Hz	YE00311000000
4	K2	接触器* Contactor	32A 3P 230V 50/60Hz	YE00340000000
5	K3	温控器* Temp. Controller	230V 50/60Hz	YE85019900000
6	K4	24小时定时器 24Hours Timer	230V 50/60Hz	YE86002400000
7	FU1	熔断器** Fuse	2A 250VAC	YE41001000000
8	T	变压器* Transformer	IN=400V OUT=230V 300mA	YE70040000200
9	S1 S2	切替开关 Control Switch	4P (WH)	YE10210400000
10	S3	切替开关 Control Switch	6P (WH)	YE10220600000
11	S5	热电偶* Thermocouple	-	-
12	M1	风车* Blower	400V 50Hz 0.18kW	-
13	EH1	电热管** Heater	400V 50Hz 15kW	-

\*表示可能损坏的项目；\*\*表示较可能损坏的项目，建议备份。

请在下单采购零配件之前，先确认说明书版本号，以确保零配件物料号与实物一致。

\* means possible broken parts.

\*\* means easy broken part. and spare backup is suggested.

Please confirm the version of manual before placing the purchase order to guarantee that the item number of the spare part is in accordance with the real object.

### 16.7.8 电气组件明细表 Bill of electrical parts (SHD-400) (400V)

序号 No.	符号 Symbol	名称 Parts Name	规格 Seecifications	物料编号 Parts No.
1	Q1	断路器* Circuit Breaker	40A 3P 400V 50/60Hz	YE40604000000
2	-	Excitation Break Awayu	230V 50/60Hz	-
3	K1	接触器* Contactor	12A 3P 1NO 230V 50/60Hz	YE00311000000
4	K2	接触器* Contactor	38A 3P 230V 50/60Hz	YE00350000000
5	K3	温控器* Temp. Controller	230V 50/60Hz	YE85019900000
6	K4	24小时定时器 24Hours Timer	230V 50/60Hz	YE86002400000
7	FU1	熔断器** Fuse	2A 250VAC	YE41001000000
8	T	变压器* Transformer	IN=400V OUT=230V 300mA	YE70040000200
9	S1 S2	切替开关 Control Switch	4P (WH)	YE10210400000
10	S3	切替开关 Control Switch	6P (WH)	YE10220600000
11	S4	超温保护器* Overheat Protector	15A	-
12	S5	热电偶* Thermocouple	-	-
13	X1	端子排 Terminal Board	2.5mm <sup>2</sup>	YE61250040000
14	M1	风车* Blower	400V 50Hz 0.18kW	-
15	EH1	电热管** Heater	400V 50Hz 18kW	-

\*表示可能损坏的项目；\*\*表示较可能损坏的项目，建议备份。

请在下单采购零配件之前，先确认说明书版本号，以确保零配件物料号与实物一致。

\* means possible broken parts.

\*\* means easy broken part. and spare backup is suggested.

Please confirm the version of manual before placing the purchase order to guarantee that the item number of the spare part is in accordance with the real object.

### 16.7.9 电气组件明细表 Bill of electrical parts (SHD-500) (400V)

序号 No.	符号 Symbol	名称 Parts Name	规格 Seecifications	物料编号 Parts No.
1	Q1	断路器* Circuit Breaker	40A 3P 400V 50/60Hz	YE40604000000
2	-	Excitation Break Awayu	230V 50/60Hz	-
3	K1	接触器* Contactor	12A 3P 1NO 230V 50/60Hz	YE00311000000
4	K2	接触器* Contactor	38A 3P 230V 50/60Hz	YE00350000000
5	K3	温控器* Temp. Controller	230V 50/60Hz	YE85019900000
6	K4	24小时定时器 24Hours Timer	230V 50/60Hz	YE86002400000
7	FU1	熔断器** Fuse	2A 250VAC	YE41001000000
8	T	变压器* Transformer	IN=400V OUT=230V 300mA	YE70040000200
9	S1 S2	切替开关 Control Switch	4P (WH)	YE10210400000
10	S3	切替开关 Control Switch	6P (WH)	YE10220600000
11	S4	超温保护器* Overheat Protector	15A	-
12	S5	热电偶* Thermocouple	-	-
13	X1	端子排 Terminal Board	2.5mm <sup>2</sup>	YE61250040000
14	M1	风车* Blower	400V 50Hz 0.18kW	-
15	EH1	电热管** Heater	400V 50Hz 19.5kW	-

\*表示可能损坏的项目；\*\*表示较可能损坏的项目，建议备份。

请在下单采购零配件之前，先确认说明书版本号，以确保零配件物料号与实物一致。

\* means possible broken parts.

\*\* means easy broken part. and spare backup is suggested.

Please confirm the version of manual before placing the purchase order to guarantee that the item number of the spare part is in accordance with the real object.

### 16.7.10 电气组件明细表 Bill of electrical parts (SHD-600) (400V)

序号 No.	符号 Symbol	名称 Parts Name	规格 Seecifications	物料编号 Parts No.
1	Q1	断路器* Circuit Breaker	50A 3P 400V 50/60Hz	YE40605000000
2	-	Excitation Break Awayu	230V 50/60Hz	-
3	K1	接触器* Contactor	12A 3P 1NO 230V 50/60Hz	YE00311000000
4	K2 K5	接触器* Contactor	22A 3P 230V 50/60Hz	YE00330000000
5	K3	温控器* Temp. Controller	230V 50/60Hz	YE85019900000
6	K4	24小时定时器 24Hours Timer	230V 50/60Hz	YE86002400000
7	F1	热过载继电器 Overload Relay	1.25~2A	YE01125200000
8	FU1	熔断器** Fuse	2A 250VAC	YE41001000000
9	T	变压器* Transformer	IN=400V OUT=230V 300mA	YE70040000200
10	S1 S2	切替开关 Control Switch	4P (WH)	YE10210400000
11	S3	切替开关 Control Switch	6P (WH)	YE10220600000
12	S4	超温保护器* Overheat Protector	15A	-
13	S5	热电偶* Thermocouple	-	-
14	X1	端子排 Terminal Board	2.5mm <sup>2</sup>	YE61250040000
15	M1	风车* Blower	400V 50Hz 0.55kW	-
16	EH1	电热管** Heater	400V 50Hz 21kW	-

\*表示可能损坏的项目；\*\*表示较可能损坏的项目，建议备份。

请在下单采购零配件之前，先确认说明书版本号，以确保零配件物料号与实物一致。

\* means possible broken parts.

\*\* means easy broken part. and spare backup is suggested.

Please confirm the version of manual before placing the purchase order to guarantee that the item number of the spare part is in accordance with the real object.

### 16.7.11 电气组件明细表 Bill of electrical parts (SHD-800) (400V)

序号 No.	符号 Symbol	名称 Parts Name	规格 Seecifications	物料编号 Parts No.
1	Q1	断路器* Circuit Breaker	50A 3P 400V 50/60Hz	YE40605000000
2	-	Excitation Break Awayu	230V 50/60Hz	-
3	K1	接触器* Contactor	12A 3P 1NO 230V 50/60Hz	YE00311000000
4	K2 K5	接触器* Contactor	32A 3P 230V 50/60Hz	YE00340000000
5	K3	温控器* Temp. Controller	230V 50/60Hz	YE85019900000
6	K4	24小时定时器 24Hours Timer	230V 50/60Hz	YE86002400000
7	F1	热过载继电器 Overload Relay	1.25~2A	YE01125200000
8	FU1	熔断器** Fuse	2A 250VAC	YE41001000000
9	T	变压器* Transformer	IN=400V OUT=230V 300mA	YE70040000200
10	S1 S2	切替开关 Control Switch	4P (WH)	YE10210400000
11	S3	切替开关 Control Switch	6P (WH)	YE10220600000
12	S4	超温保护器* Overheat Protector	15A	-
13	S5	热电偶* Thermocouple	-	-
14	X1	端子排 Terminal Board	2.5mm <sup>2</sup>	YE61250040000
15	M1	风车* Blower	400V 50Hz 1.1kW	-
16	EH1	电热管** Heater	400V 50Hz 24kW	-

\*表示可能损坏的项目；\*\*表示较可能损坏的项目，建议备份。

请在下单采购零配件之前，先确认说明书版本号，以确保零配件物料号与实物一致。

\* means possible broken parts.

\*\* means easy broken part. and spare backup is suggested.

Please confirm the version of manual before placing the purchase order to guarantee that the item number of the spare part is in accordance with the real object.

### 16.7.12 电气组件明细表 Bill of electrical parts (SHD-1000) (400V)

序号 No.	符号 Symbol	名称 Parts Name	规格 Seecifications	物料编号 Parts No.
1	Q1	断路器* Circuit Breaker	80A 3P 400V 50/60Hz	YE40800300000
2	-	Excitation Break Awayu	230V 50/60Hz	-
3	K1	接触器* Contactor	12A 3P 1NO 230V 50/60Hz	YE00311000000
4	K2 K5	接触器* Contactor	38A 3P 230V 50/60Hz	YE00350000000
5	K3	温控器* Temp. Controller	230V 50/60Hz	YE85019900000
6	K4	24小时定时器 24Hours Timer	230V 50/60Hz	YE86002400000
7	F1	热过载继电器 Overload Relay	2~3.2A	YE01023200000
8	FU1	熔断器** Fuse	2A 250VAC	YE41001000000
9	T	变压器* Transformer	IN=400V OUT=230V 300mA	YE70040000200
10	S1 S2	切替开关 Control Switch	4P (WH)	YE10210400000
11	S3	切替开关 Control Switch	6P (WH)	YE10220600000
12	S4	超温保护器* Overheat Protector	15A	-
13	S5	热电偶* Thermocouple	-	-
14	X1	端子排 Terminal Board	2.5mm <sup>2</sup>	YE61250040000
15	M1	风车* Blower	400V 50Hz 1.1kW	-
16	EH1	电热管** Heater	400V 50Hz 32kW	-

\*表示可能损坏的项目；\*\*表示较可能损坏的项目，建议备份。

请在下单采购零配件之前，先确认说明书版本号，以确保零配件物料号与实物一致。

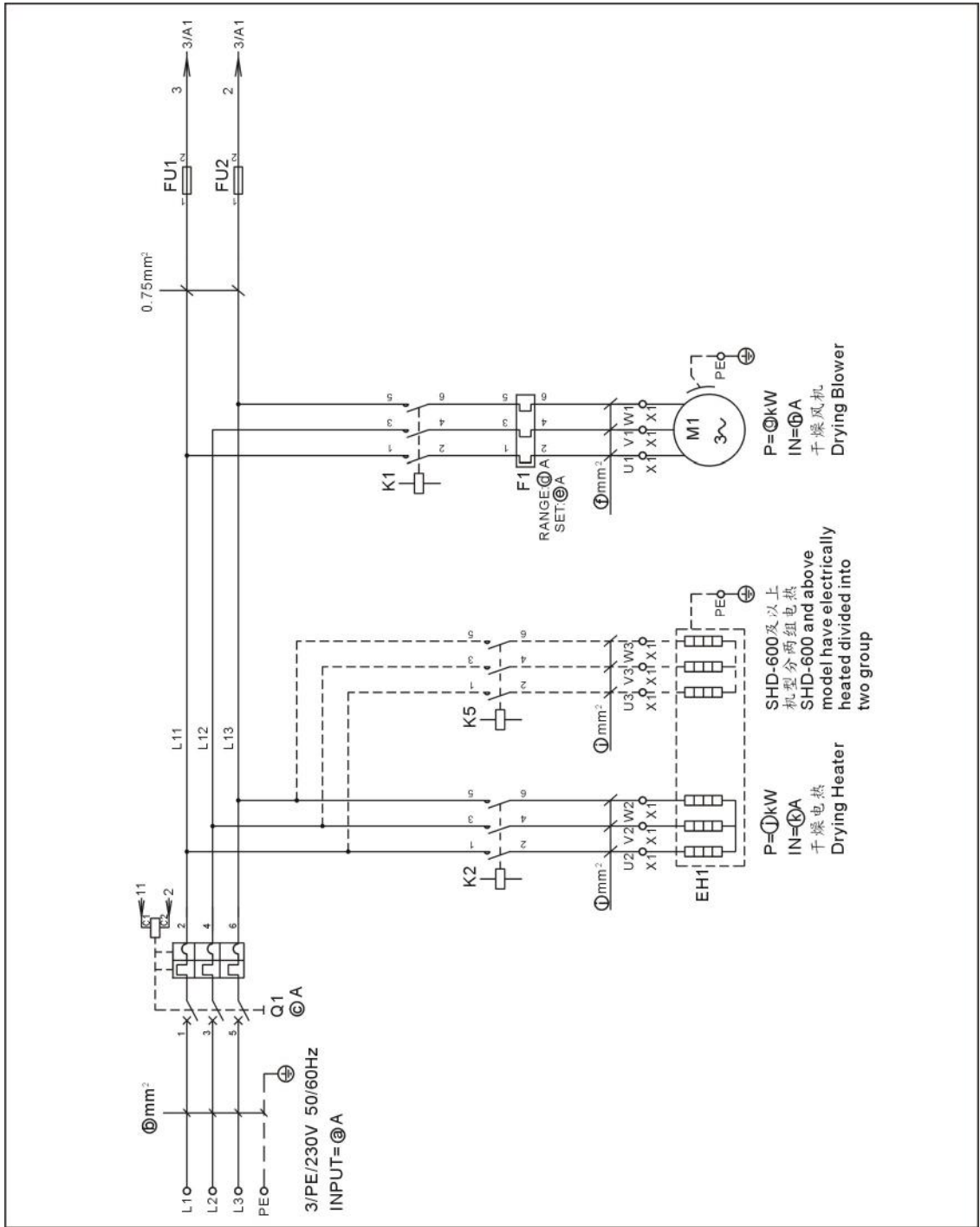
\* means possible broken parts.

\*\* means easy broken part. and spare backup is suggested.

Please confirm the version of manual before placing the purchase order to guarantee that the item number of the spare part is in accordance with the real object.



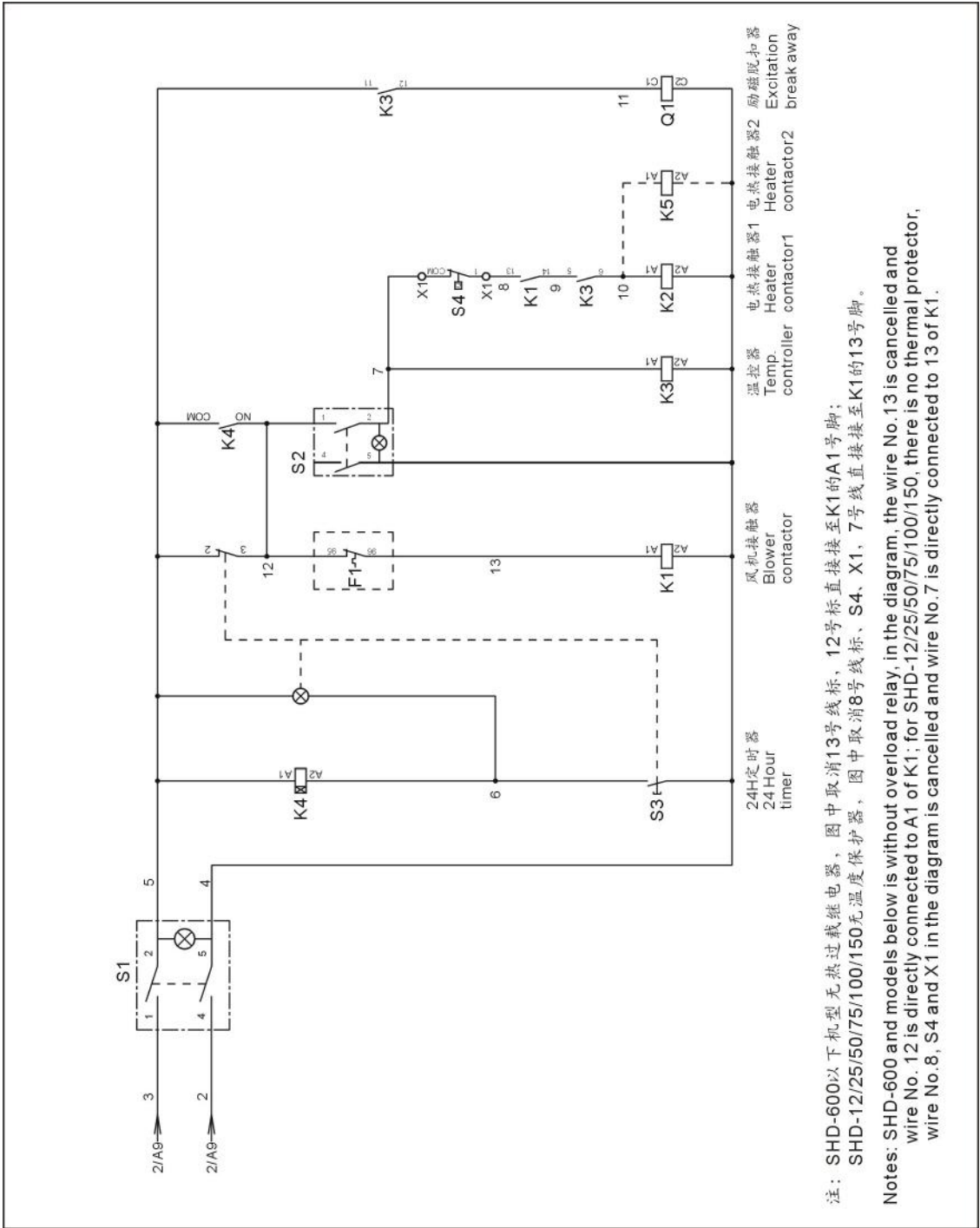
## 16.9 主电路图 Main Electrical Circuit SHD-12~1000 (3Φ 230V)



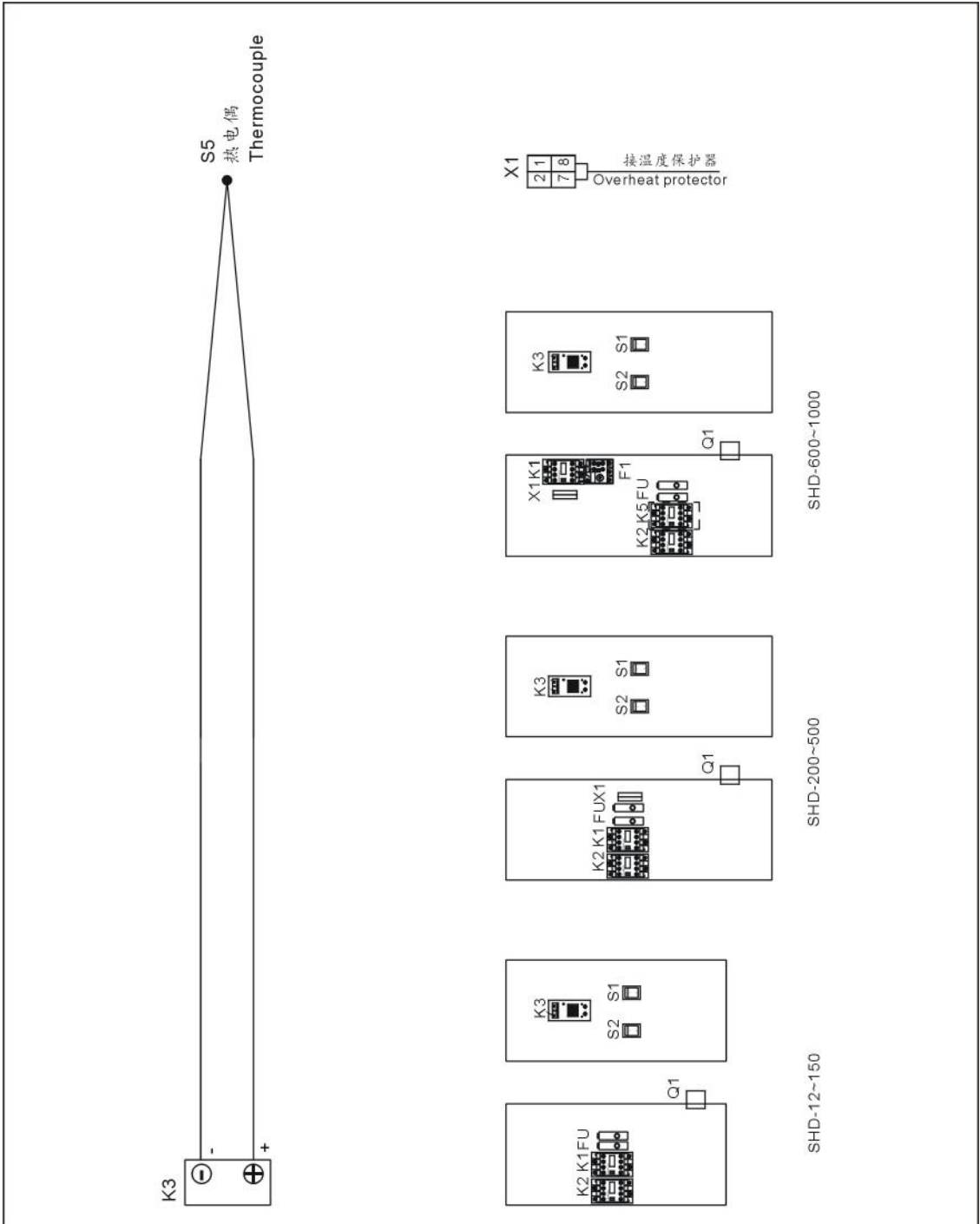




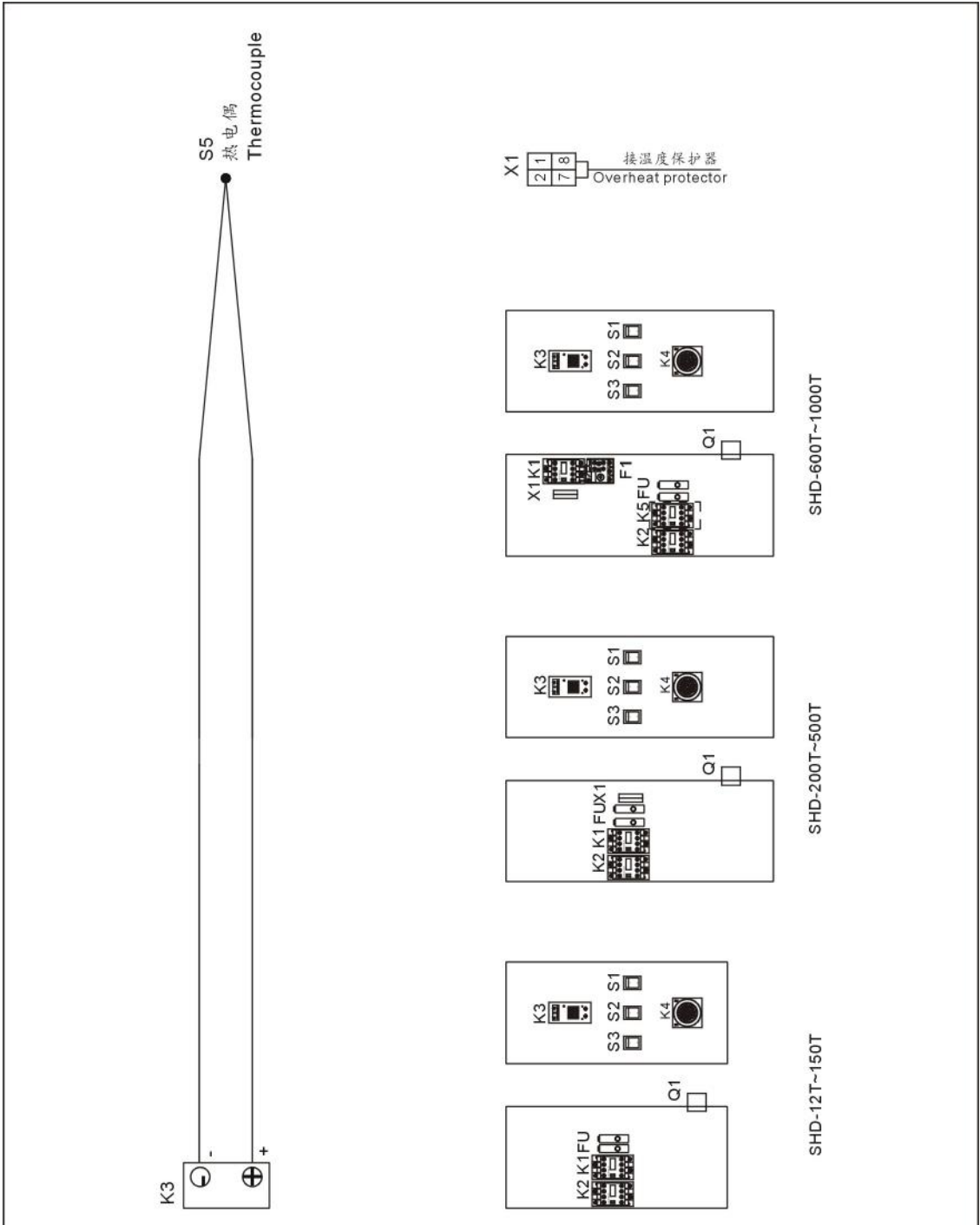
### 16.11 控制电路图 Control Circuit SHD-12T~1000T (3Φ 230V)



## 16.12 组件布置及端子接线图 Layout and Component Video Wiring Diagram (SHD-12~1000)(3Φ 230V)



### 16.13 组件布置及端子接线图 Layout and Component Video Wiring Diagram (SHD-12T~1000T)(3Φ 230V)



## 16.14 电气组件明细 Bill of Electrical Parts (SHD-12~1000 230V)

### 16.14.1 电气组件明细表 Bill of electrical parts (SHD-12) (230V)

序号 No.	符号 Symbol	名称 Parts Name	规格 Seecifications	物料编号 Parts No.
1	Q1	断路器*Circuit Breaker	10A 3P 400V 50/60Hz	YE40600300000
2	-	Excitation Break Awayu	230V 50/60Hz	YE40023560000
3	K1	接触器*Contactor	220V 50/60Hz	YE00601521000
4	K2	接触器*Contactor	220V 50/60Hz	YE00601621000
5	K3	温控器* Temp. Controller	230V 50/60Hz	YE85019900000
6	K4	24小时定时器 24Hours Timer	230V 50/60Hz	YE86002400000
7	FU1	熔断器** Fuse	2A 250VAC	YE41001000000
8	FU2	熔断器** Fuse	2A 250VAC	YE41001000000
9	S1 S2	切替开关 Control Switch	4P (WH)	YE10210400000
10	S3	切替开关 Control Switch	6P (WH)	YE10220600000
11	S5	热电偶* Thermocouple	-	-
12	M1	风机*Blower	400V 50Hz 0.05kW	-
13	EH1	电热管**Heater	400V 50Hz 2.2kW	-

\*表示可能损坏的项目；\*\*表示较可能损坏的项目，建议备份。

请在下单采购零配件之前，先确认说明书版本号，以确保零配件物料号与实物一致。

\* means possible broken parts.

\*\* means easy broken part. and spare backup is suggested.

Please confirm the version of manual before placing the purchase order to guarantee that the item number of the spare part is in accordance with the real object.

### 16.14.2 电气组件明细表 Bill of electrical parts (SHD-25) (230V)

序号 No.	符号 Symbol	名称 Parts Name	规格 Seecifications	物料编号 Parts No.
1	Q1	断路器* Circuit Breaker	15A 3P 400V 50/60Hz	YE40601500000
2	-	Excitation Break Awayu	230V 50/60Hz	YE40023560000
3	K1	接触器* Contactor	220V 50/60Hz	YE00601521000
4	K2	接触器* Contactor	220V 50/60Hz	YE00601721000
5	K3	温控器* Temp. Controller	230V 50/60Hz	YE85019900000
6	K4	24小时定时器 24Hours Timer	230V 50/60Hz	YE86002400000
7	FU1	熔断器** Fuse	2A 250VAC	YE41001000000
8	FU2	熔断器** Fuse	2A 250VAC	YE41001000000
9	S1 S2	切替开关 Control Switch	4P (WH)	YE10210400000
10	S3	切替开关 Control Switch	6P (WH)	YE10220600000
11	S5	热电偶* Thermocouple	-	-
12	M1	风机* Blower	400V 50Hz 0.12kW	-
13	EH1	电热管** Heater	400V 50Hz 3.0kW	-

\*表示可能损坏的项目；\*\*表示较可能损坏的项目，建议备份。

请在下单采购零配件之前，先确认说明书版本号，以确保零配件物料号与实物一致。

\* means possible broken parts.

\*\* means easy broken part. and spare backup is suggested.

Please confirm the version of manual before placing the purchase order to guarantee that the item number of the spare part is in accordance with the real object.

### 16.14.3 电气组件明细表 Bill of electrical parts (SHD-50) (230V)

序号 No.	符号 Symbol	名称 Parts Name	规格 Seecifications	物料编号 Parts No.
1	Q1	断路器* Circuit Breaker	15A 3P 400V 50/60Hz	YE40601500000
2	-	Excitation Break Awayu	230V 50/60Hz	YE40023560000
3	K1	接触器* Contactor	220V 50/60Hz	YE00601521000
4	K2	接触器* Contactor	220V 50/60Hz	YE00602522000
5	K3	温控器* Temp. Controller	230V 50/60Hz	YE85019900000
6	K4	24小时定时器 24Hours Timer	230V 50/60Hz	YE86002400000
7	FU1	熔断器** Fuse	2A 250VAC	YE41001000000
8	FU2	熔断器** Fuse	2A 250VAC	YE41001000000
9	S1 S2	切替开关 Control Switch	4P (WH)	YE10210400000
10	S3	切替开关 Control Switch	6P (WH)	YE10220600000
11	S5	热电偶* Thermocouple	-	-
12	M1	风机* Blower	400V 50Hz 0.12kW	-
13	EH1	电热管** Heater	400V 50Hz 3.9kW	-

\*表示可能损坏的项目；\*\*表示较可能损坏的项目，建议备份。

请在下单采购零配件之前，先确认说明书版本号，以确保零配件物料号与实物一致。

\* means possible broken parts.

\*\* means easy broken part. and spare backup is suggested.

Please confirm the version of manual before placing the purchase order to guarantee that the item number of the spare part is in accordance with the real object.

#### 16.14.4 电气组件明细表 Bill of electrical parts (SHD-75) (230V)

序号 No.	符号 Symbol	名称 Parts Name	规格 Seecifications	物料编号 Parts No.
1	Q1	断路器* Circuit Breaker	15A 3P 400V 50/60Hz	YE40601500000
2	-	Excitation Break Awayu	230V 50/60Hz	YE40023560000
3	K1	接触器* Contactor	220V 50/60Hz	YE00601521000
4	K2	接触器* Contactor	220V 50/60Hz	YE00602622000
5	K3	温控器* Temp. Controller	230V 50/60Hz	YE85019900000
6	K4	24小时定时器 24Hours Timer	230V 50/60Hz	YE86002400000
7	FU1	熔断器** Fuse	2A 250VAC	YE41001000000
8	FU2	熔断器** Fuse	2A 250VAC	YE41001000000
9	S1 S2	切替开关 Control Switch	4P (WH)	YE10210400000
10	S3	切替开关 Control Switch	6P (WH)	YE10220600000
11	S5	热电偶* Thermocouple	-	-
12	M1	风机* Blower	400V 50Hz 0.12kW	-
13	EH1	电热管** Heater	400V 50Hz 4.2kW	-

\*表示可能损坏的项目；\*\*表示较可能损坏的项目，建议备份。

请在下单采购零配件之前，先确认说明书版本号，以确保零配件物料号与实物一致。

\* means possible broken parts.

\*\* means easy broken part. and spare backup is suggested.

Please confirm the version of manual before placing the purchase order to guarantee that the item number of the spare part is in accordance with the real object.



### 16.14.5 电气组件明细表 Bill of electrical parts (SHD-100/150) (230V)

序号 No.	符号 Symbol	名称 Parts Name	规格 Seecifications	物料编号 Parts No.
1	Q1	断路器* Circuit Breaker	20A 3P 400V 50/60Hz	YE40602000000
2	-	Excitation Break Awayu	230V 50/60Hz	YE40023560000
3	K1	接触器* Contactor	220V 50/60Hz	YE00601521000
4	K2	接触器* Contactor	220V 50/60Hz	YE00602620000
5	K3	温控器* Temp. Controller	230V 50/60Hz	YE85019900000
6	K4	24小时定时器 24Hours Timer	230V 50/60Hz	YE86002400000
7	FU1	熔断器** Fuse	2A 250VAC	YE41001000000
8	FU2	熔断器** Fuse	2A 250VAC	YE41001000000
9	S1 S2	切替开关 Control Switch	4P (WH)	YE10210400000
10	S3	切替开关 Control Switch	6P (WH)	YE10220600000
11	S5	热电偶* Thermocouple	-	-
12	M1	风机* Blower	400V 50Hz 0.12kW	-
13	EH1	电热管** Heater	400V 50Hz 6.0kW	-

\*表示可能损坏的项目；\*\*表示较可能损坏的项目，建议备份。

请在下单采购零配件之前，先确认说明书版本号，以确保零配件物料号与实物一致。

\* means possible broken parts.

\*\* means easy broken part. and spare backup is suggested.

Please confirm the version of manual before placing the purchase order to guarantee that the item number of the spare part is in accordance with the real object.

### 16.14.6 电气组件明细表 Bill of electrical parts (SHD-200)

序号 No.	符号 Symbol	名称 Parts Name	规格 Seecifications	物料编号 Parts No.
1	Q1	断路器* Circuit Breaker	40A 3P 400V 50/60Hz	YE40604000000
2	-	Excitation Break Awayu	230V 50/60Hz	YE40023560000
3	K1	接触器* Contactor	220V 50/60Hz	YE00601521000
4	K2	接触器* Contactor	220V 50/60Hz	YE00602822000
5	K3	温控器* Temp. Controller	230V 50/60Hz	YE85019900000
6	K4	24小时定时器 24Hours Timer	230V 50/60Hz	YE86002400000
7	FU1	熔断器** Fuse	2A 250VAC	YE41001000000
8	FU2	熔断器** Fuse	2A 250VAC	YE41001000000
9	S1 S2	切替开关 Control Switch	4P (WH)	YE10210400000
10	S3	切替开关 Control Switch	6P (WH)	YE10220600000
11	S4	温度保护器 Overheat protector	15A	-
12	S5	热电偶* Thermocouple	-	-
13	X1	端子排 Terminal	2.5mm <sup>2</sup>	YE61250040000
14	M1	风机* Blower	400V 50Hz 0.18kW	-
15	EH1	电热管** Heater	400V 50Hz 12kW	-

\*表示可能损坏的项目；\*\*表示较可能损坏的项目，建议备份。

请在下单采购零配件之前，先确认说明书版本号，以确保零配件物料号与实物一致。

\* means possible broken parts.

\*\* means easy broken part. and spare backup is suggested.

Please confirm the version of manual before placing the purchase order to guarantee that the item number of the spare part is in accordance with the real object.

### 16.14.7 电气组件明细表 Bill of electrical parts (SHD-300) (230V)

序号 No.	符号 Symbol	名称 Parts Name	规格 Seecifications	物料编号 Parts No.
1	Q1	断路器* Circuit Breaker	50A 3P 400V 50/60Hz	YE40605000000
2	-	Excitation Break Awayu	230V 50/60Hz	YE40023560000
3	K1	接触器* Contactor	220V 50/60Hz	YE00601521000
4	K2	接触器* Contactor	220V 50/60Hz	YE00503600000
5	K3	温控器* Temp. Controller	230V 50/60Hz	YE85019900000
6	K4	24小时定时器 24Hours Timer	230V 50/60Hz	YE86002400000
7	FU1	熔断器** Fuse	2A 250VAC	YE41001000000
8	FU2	熔断器** Fuse	2A 250VAC	YE41001000000
9	S1 S2	切替开关 Control Switch	4P (WH)	YE10210400000
10	S3	切替开关 Control Switch	6P (WH)	YE10220600000
11	S4	温度保护器 Overheat protector	12A	-
12	S5	热电偶* Thermocouple	-	-
13	X1	端子排 Terminal	2.5mm <sup>2</sup>	YE61250040000
14	M1	风机* Blower	400V 50Hz 0.18kW	-
15	EH1	电热管** Heater	400V 50Hz 15kW	-

\*表示可能损坏的项目；\*\*表示较可能损坏的项目，建议备份。

请在下单采购零配件之前，先确认说明书版本号，以确保零配件物料号与实物一致。

\* means possible broken parts.

\*\* means easy broken part. and spare backup is suggested.

Please confirm the version of manual before placing the purchase order to guarantee that the item number of the spare part is in accordance with the real object.

### 16.14.8 电气组件明细表 Bill of electrical parts (SHD-400) (230V)

序号 No.	符号 Symbol	名称 Parts Name	规格 Seecifications	物料编号 Parts No.
1	Q1	断路器* Circuit Breaker	60A 3P 400V 50/60Hz	YE40606000000
2	-	Excitation Break Awayu	230V 50/60Hz	YE40023560000
3	K1	接触器* Contactor	220V 50/60Hz	YE00601521000
4	K2	接触器* Contactor	220V 50/60Hz	YE00503600000
5	K3	温控器* Temp. Controller	230V 50/60Hz	YE85019900000
6	K4	24小时定时器 24Hours Timer	230V 50/60Hz	YE86002400000
7	FU1	熔断器** Fuse	2A 250VAC	YE41001000000
8	FU2	熔断器** Fuse	2A 250VAC	YE41001000000
9	S1 S2	切替开关 Control Switch	4P (WH)	YE10210400000
10	S3	切替开关 Control Switch	6P (WH)	YE10220600000
11	S4	温度保护器 Overheat protector	15A	-
12	S5	热电偶* Thermocouple	-	-
13	X1	端子排 Terminal	2.5mm <sup>2</sup>	YE61250040000
14	M1	风机* Blower	400V 50Hz 0.18kW	-
15	EH1	电热管** Heater	400V 50Hz 18kW	-

\*表示可能损坏的项目；\*\*表示较可能损坏的项目，建议备份。

请在下单采购零配件之前，先确认说明书版本号，以确保零配件物料号与实物一致。

\* means possible broken parts.

\*\* means easy broken part. and spare backup is suggested.

Please confirm the version of manual before placing the purchase order to guarantee that the item number of the spare part is in accordance with the real object.

### 16.14.9 电气组件明细表 Bill of electrical parts (SHD-500) (230V)

序号 No.	符号 Symbol	名称 Parts Name	规格 Seecifications	物料编号 Parts No.
1	Q1	断路器* Circuit Breaker	60A 3P 400V 50/60Hz	YE40606000000
2	-	Excitation Break Awayu	230V 50/60Hz	YE40023560000
3	K1	接触器* Contactor	220V 50/60Hz	YE00601521000
4	K2	接触器* Contactor	220V 50/60Hz	YE00503600000
5	K3	温控器* Temp. Controller	230V 50/60Hz	YE85019900000
6	K4	24小时定时器 24Hours Timer	230V 50/60Hz	YE86002400000
7	FU1	熔断器** Fuse	2A 250VAC	YE41001000000
8	FU2	熔断器** Fuse	2A 250VAC	YE41001000000
9	S1 S2	切替开关 Control Switch	4P (WH)	YE10210400000
10	S3	切替开关 Control Switch	6P (WH)	YE10220600000
11	S4	温度保护器 Overheat protector	15A	-
12	S5	热电偶* Thermocouple	-	-
13	X1	端子排 Terminal	2.5mm <sup>2</sup>	YE61250040000
14	M1	风机* Blower	400V 50Hz 0.18kW	-
15	EH1	电热管** Heater	400V 50Hz 19.5kW	-

\*表示可能损坏的项目；\*\*表示较可能损坏的项目，建议备份。

请在下单采购零配件之前，先确认说明书版本号，以确保零配件物料号与实物一致。

\* means possible broken parts.

\*\* means easy broken part. and spare backup is suggested.

Please confirm the version of manual before placing the purchase order to guarantee that the item number of the spare part is in accordance with the real object.

### 16.14.10 电气组件明细表 Bill of electrical parts (SHD-600) (230V)

序号 No.	符号 Symbol	名称 Parts Name	规格 Seecifications	物料编号 Parts No.
1	Q1	断路器* Circuit Breaker	80A 3P 400V 50/60Hz	YE40800300000
2	-	Excitation Break Awayu	230V 50/60Hz	YE40023560000
3	K1	接触器* Contactor	220V 50/60Hz	YE00601521000
4	K2 K5	接触器* Contactor	220V 50/60Hz	YE00602822000
5	K3	温控器* Temp. Controller	230V 50/60Hz	YE85019900000
6	K4	24小时定时器 24Hours Timer	230V 50/60Hz	YE86002400000
7	F1	热过载继电器 Overload Relay	2~3.2A	YE01023200000
8	FU1	熔断器** Fuse	2A 250VAC	YE41001000000
9	FU2	熔断器** Fuse	2A 250VAC	YE41001000000
10	S1 S2	切替开关 Control Switch	4P (WH)	YE10210400000
11	S3	切替开关 Control Switch	6P (WH)	YE10220600000
12	S4	温度保护器* Overheat Protector	15A	-
13	S5	热电偶* Thermocouple	-	-
14	X1	端子排 Terminal Board	2.5mm <sup>2</sup>	YE61250040000
15	M1	风车* Blower	400V 50Hz 0.55kW	-
16	EH1	电热管** Heater	400V 50Hz 21kW	-

\*表示可能损坏的项目；\*\*表示较可能损坏的项目，建议备份。

请在下单采购零配件之前，先确认说明书版本号，以确保零配件物料号与实物一致。

\* means possible broken parts.

\*\* means easy broken part. and spare backup is suggested.

Please confirm the version of manual before placing the purchase order to guarantee that the item number of the spare part is in accordance with the real object.

### 16.14.11 电气组件明细表 Bill of electrical parts (SHD-800) (230V)

序号 No.	符号 Symbol	名称 Parts Name	规格 Seecifications	物料编号 Parts No.
1	Q1	断路器* Circuit Breaker	80A 3P 400V 50/60Hz	YE40800300000
2	-	Excitation Break Awayu	230V 50/60Hz	YE40023560000
3	K1	接触器* Contactor	220V 50/60Hz	YE00601521000
4	K2 K5	接触器* Contactor	220V 50/60Hz	YE00602822000
5	K3	温控器* Temp. Controller	230V 50/60Hz	YE85019900000
6	K4	24小时定时器 24Hours Timer	230V 50/60Hz	YE86002400000
7	F1	热过载继电器 Overload Relay	4.5~6.3A	YE01160450000
8	FU1	熔断器** Fuse	2A 250VAC	YE41001000000
9	FU2	熔断器** Fuse	2A 250VAC	YE41001000000
10	S1 S2	切替开关 Control Switch	4P (WH)	YE10210400000
11	S3	切替开关 Control Switch	6P (WH)	YE10220600000
12	S4	温度保护器* Overheat Protector	15A	-
13	S5	热电偶* Thermocouple	-	-
14	X1	端子排 Terminal Board	2.5mm <sup>2</sup>	YE61250040000
15	M1	风车* Blower	400V 50Hz 1.1kW	-
16	EH1	电热管** Heater	400V 50Hz 24kW	-

\*表示可能损坏的项目；\*\*表示较可能损坏的项目，建议备份。

请在下单采购零配件之前，先确认说明书版本号，以确保零配件物料号与实物一致。

\* means possible broken parts.

\*\* means easy broken part. and spare backup is suggested.

Please confirm the version of manual before placing the purchase order to guarantee that the item number of the spare part is in accordance with the real object.

### 16.14.12 电气组件明细表 Bill of electrical parts (SHD-1000) (230V)

序号 No.	符号 Symbol	名称 Parts Name	规格 Seecifications	物料编号 Parts No.
1	Q1	断路器* Circuit Breaker	100A 3P 400V 50/60Hz	YE40100300000
2	-	Excitation Break Awayu	230V 50/60Hz	YE40023560000
3	K1	接触器* Contactor	220V 50/60Hz	YE00601521000
4	K2 K5	接触器* Contactor	220V 50/60Hz	YE00503500000
5	K3	温控器* Temp. Controller	230V 50/60Hz	YE85019900000
6	K4	24小时定时器 24Hours Timer	230V 50/60Hz	YE86002400000
7	F1	热过载继电器 Overload Relay	4.5~6.3A	YE01160450000
8	FU1	熔断器** Fuse	2A 250VAC	YE41001000000
9	FU2	熔断器** Fuse	2A 250VAC	YE41001000000
10	S1 S2	切替开关 Control Switch	4P (WH)	YE10210400000
11	S3	切替开关 Control Switch	6P (WH)	YE10220600000
12	S4	温度保护器* Overheat Protector	15A	-
13	S5	热电偶* Thermocouple	-	-
14	X1	端子排 Terminal Board	2.5mm <sup>2</sup>	YE61250040000
15	M1	风车* Blower	400V 50Hz 1.1kW	-
16	EH1	电热管** Heater	400V 50Hz 32kW	-

\*表示可能损坏的项目；\*\*表示较可能损坏的项目，建议备份。

请在下单采购零配件之前，先确认说明书版本号，以确保零配件物料号与实物一致。

\* means possible broken parts.

\*\* means easy broken part. and spare backup is suggested.

Please confirm the version of manual before placing the purchase order to guarantee that the item number of the spare part is in accordance with the real object.