



Energy-saving Intelligent Drying Control System

SEC-500H

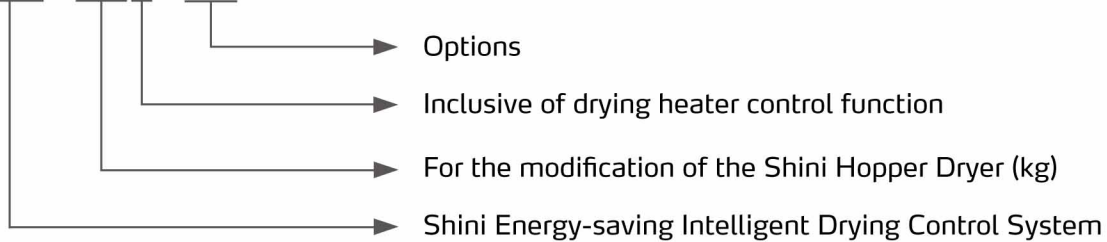


Refer carefully to this manual before operation.

SEC-H Series

■ Coding Principle

SEC - xxxH - xxx

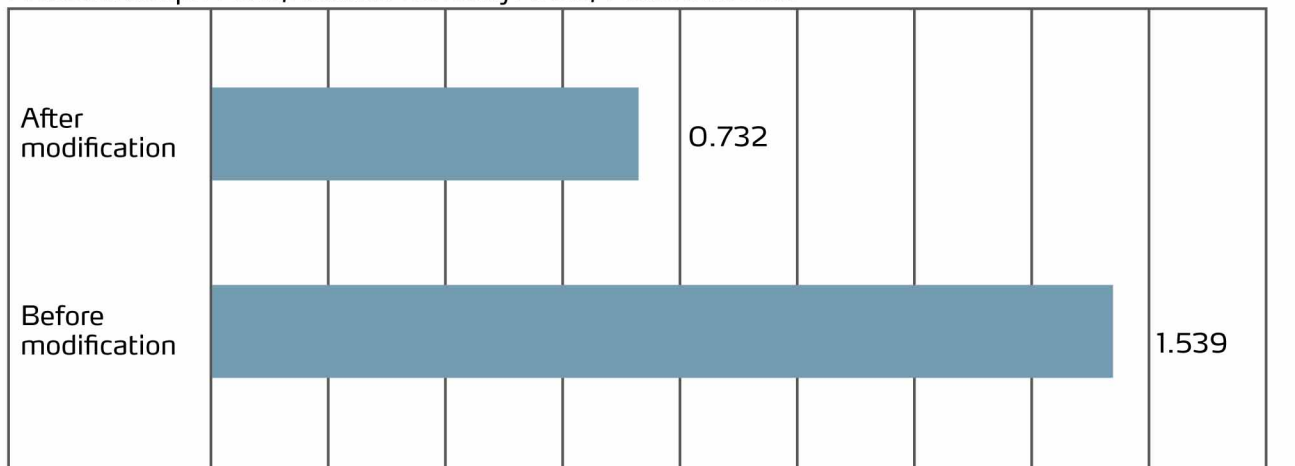


■ Features

- Features microcomputer PID controller, LCD screen.
- 28 default preprograms material receipt, and simply select materials as required. The system can automatically set the drying and exhaust air temperatures for easy operation.
- It has a self-adaption function and simply sets the drying temperature; the control system will match the exhaust air temperature. It is widely applicable.
- One-week timer and intermittent running function.
- With heat insulation and anti-over-drying function, the control system can automatically reduce the drying temperature and airflow when it stops material throughput to prevent material from excessive drying.
- The energy-saving can reach from 30%~80%.
- Overheat, low-temperature alarm, RS485 interface functions.
- Standard input for thermal overload protector of the heater or blower.

Modified model: SHD-50E

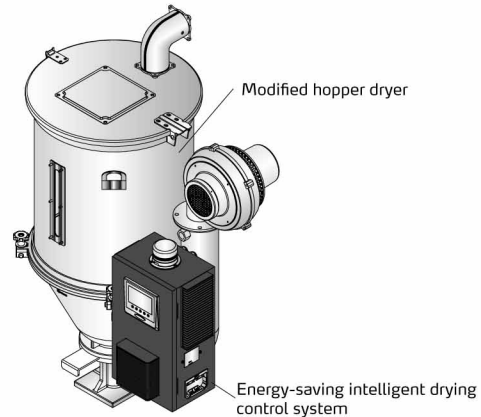
Ambient temp.: 25°C; Relative humidity: 60%; Materials: ABS



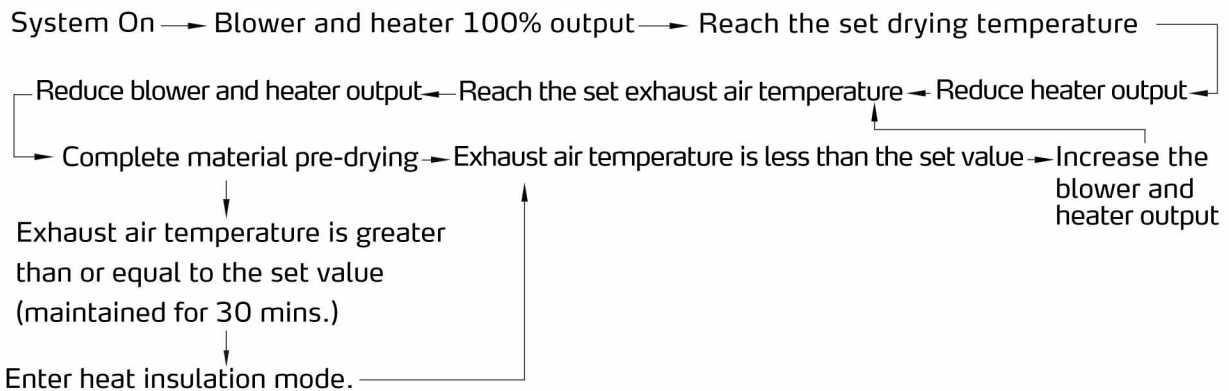
Unit: kW.h 0 0.2 0.4 0.6 0.8 1.0 1.2 1.4 1.6 1.8

Application

The energy-saving intelligent drying control system SEC-H can be implemented and modified on most hopper dryers. Remove the original control system of the hopper dryer and replace it with the Shini energy-saving intelligent drying control system, which can save 30%~80% energy consumption according to different blower airflows and environments.

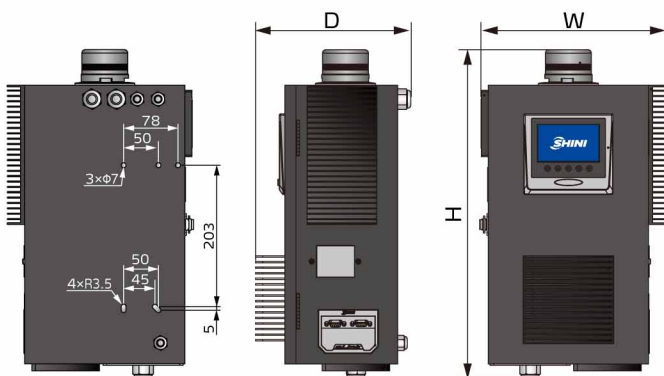


Working Principle



Note: The drying temperature will be decreased in the heat insulation mode.

Outline Drawings



Specifications

Model	SEC-150H	SEC-500H
Max. compatible heater power (kW)	7.2	19.2
Max. compatible blower power rating (kW)	0.6	
W×D×H(mm)	255×223×472	
Weight(kg)	10	

Notes: Power: 3Φ, 400VAC, 50Hz

Shini Group

Addr: No. 23, Minhe St., Shulin Dist.,
New Taipei, Taiwan

Tel: +886 2 2680 9119

Fax: +886 2 2680 9229

Email: shini@shini.com

Factories:

- Taiwan
- Dongguan
- Pinghu
- Ningbo
- Chongqing
- Pune

2023-08-15-04 Copyrights Reserved.

www.shini.com