

Hot Runner Systems

熱流道系統

Simple Solution

SHINI

Contents

02 System Selection Guide

系統選擇指南

04 Open System-SHS12

開放系統-SHS12

09 Open System-SHI12

開放系統-SHI12

14 Open System-SHO12

開放系統-SHO12

17 Valve System-SHV12

針閥系統-SHV12

24 Manifold Block

分流板

26 Technical Specification



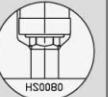


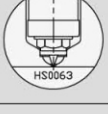
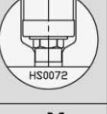
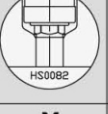
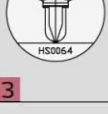
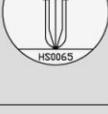
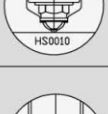
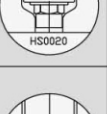
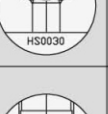
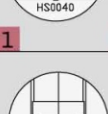
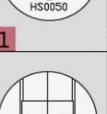
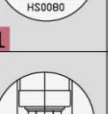

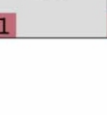
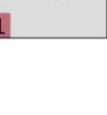
技術規範

System Selection Guide

系統選擇指南

- 1** X12不可用
Not available in X12
- 2** X18不可用
Not available in X18
- 3** X25與X35不可用
Not available in X25 and X35

符号 Key	嘴型的适合性 Tip Suitability
✓	可用 Available
★★★★	非常可用 Highest rating
X	不可用 Not Available

嘴尖 TIPS	级别 Grades			嘴尖類型 Nut Style			可用性 Features		塑料(見3頁) Plastic (Refer to page 3)			
	G1	G4	G5	ONT	BN BE	SN SX / SL	產品質量 Gate Quality	流動性 Flow Rate	容易 Easy	普通 Medium	困難 Difficult	
普遍選型 Thermal Gate	S 多孔嘴尖 Multi Hole Torpedo Tip	✓	✓	✓				★★★★	★★	★★★★★	★★★★★	★★★★★
	S+5 加長嘴尖 Extended Torpedo Tip	✓	✓	X	 3	X	X	★★★★	★★	★★★★★	★★	X
	S+10 加長嘴尖 Extended Torpedo Tip	✓	✓	X		X	X	★★★★	★	★★★★★	★	
	I 單孔嘴尖 Single Hole Torpedo Tip	✓	✓	✓				★★★★	★★	★★★★★	★★★★★	★★★★
	I+5 加長嘴尖 Extended Torpedo Tip	✓	✓	X	 3	X	X	★★★★	★★	★★★★★	★★	X
	I+10 加長嘴尖 Extended Torpedo Tip	✓	✓	X		X	X	★★★★	★	★★★★★	★	X
	O 開放嘴尖 Open Tip	✓	X	✓				★★	★★★★	★★★★★	★★★★	★
針閥選型 Valve Gate	V 針閥嘴尖 Torpedo Tip	✓	X	X	 1	 1	 1	★★★★★	★★★★★	★★★★★	★★★★	★
	VV 開放嘴尖 Open Tip	✓	X	✓	 2	 1	 1	★★★★★	★★★★★	★★★★★	★★★★	★

Some Nozzle Types Selection

部分嘴型的選擇

- 1** G5不可用
Not available in G5
- 2** G2祇在某些產品可用
Only available in G2

符號 Key	嘴型的適合性 Tip Suitability
✓	合適 Suitable
G5	非常適合G5嘴型 Very suitable with Grade 5 tips only
⊙	指定嘴型 Application dependant
G5	Appl指定嘴型與G5嘴型 Application dependant and Grade 5 tip only
X	不合適 Not suitable

原料種類 Material Category		噴嘴系列與嘴型 Nozzle Series and Tip							
		12		18		25		35	
		S I	O VV	S I V ¹	O VV	S I V ¹	O VV	S I V ¹	O VV
容易 Easy	PP	✓	✓	✓	✓	✓	✓	✓	✓
	PE	✓	✓	✓	✓	✓	✓	✓	✓
	PS	✓	✓	✓	✓	✓	✓	✓	✓
	SB	✓	✓	✓	✓	✓	✓	✓	✓
	EVA	✓	✓	✓	✓	✓	✓	✓	✓
普通 Medium	ABS	✓	✓	✓	✓	✓	✓	✓	✓
	AS	✓	✓	✓	✓	✓	✓	✓	✓
	POM	✓	✓	✓	✓	✓	✓	✓	✓
	SAN	✓	✓	✓	✓	✓	✓	✓	✓
	PA6	✓	X	✓	X	✓	X	✓	X
	PMMA	✓	⊙	✓	✓	✓	✓	✓	✓
	ASA	✓	⊙	✓	✓	✓	✓	✓	✓
	TPE	✓	⊙	✓	✓	✓	✓	✓	✓
困難 Difficult	PA66	✓	X	✓	X	✓	X	✓	X
	PBT	✓	X	✓	X	✓	X	✓	X
	PC	✓	⊙	✓	⊙	✓	⊙	✓	⊙
	PPS	✓	⊙	✓	⊙	✓	⊙	✓	⊙
	PPE	✓	⊙	✓	⊙	✓	⊙	✓	⊙
	PPU	✓	⊙	✓	⊙	✓	⊙	✓	⊙
	PET	✓	⊙	✓	⊙	✓	⊙	✓	⊙
	PES	✓	⊙	✓	⊙	✓	⊙	✓	⊙
	PPO	✓	⊙	✓	⊙	✓	⊙	✓	⊙
	LCP	✓	⊙	✓	⊙	✓	⊙	✓	⊙
	PEI	✓	⊙	✓	⊙	✓	⊙	✓	⊙
	PP + FILL	X	X	G5	X	G5	G5	G5	G5
	PA + FILL	X	X	G5	X	G5	X	G5	X
	SAN + FILL	X	X	G5	X	G5	G5	G5	G5
	PA66+FILL	X	X	G5	X	G5	X	G5	X
	PBT + FILL	X	X	G5	X	G5	G5	G5	G5
	PC + FILL	X	X	G5	X	G5	G5	G5	G5
	PPS + FILL	X	X	G5	X	G5	G5	G5	G5
	PPE + FILL	X	X	G5	X	G5	G5	G5	G5
	PPU + FILL	X	X	G5	X	G5	G5	G5	G5
PET + FILL	X	X	G5	X	G5	G5	G5	G5	

■ SHS12-I TYPE "S" ϕ 12 mm

編碼原則

S H S 12

● 單嘴用 S
S For single nozzle

● 多嘴用 M
M For multi nozzle

單嘴/多嘴
S/M Nozzle
咀身長度
Nozzle length
咀身大小
Nozzle size
表示嘴尖類型
Topless tip
熱流道
Hot runner
信舟
SHINZO

標準規格R=21.0mm, 其他規格由客戶提供
Standard specification is 21.0mm and other specifications are provided by the clients.

熱嘴需加OR-806"O"形環
O-RING OR-806 Required

電熱與感溫
HEATER AND THERMOCOUPLE

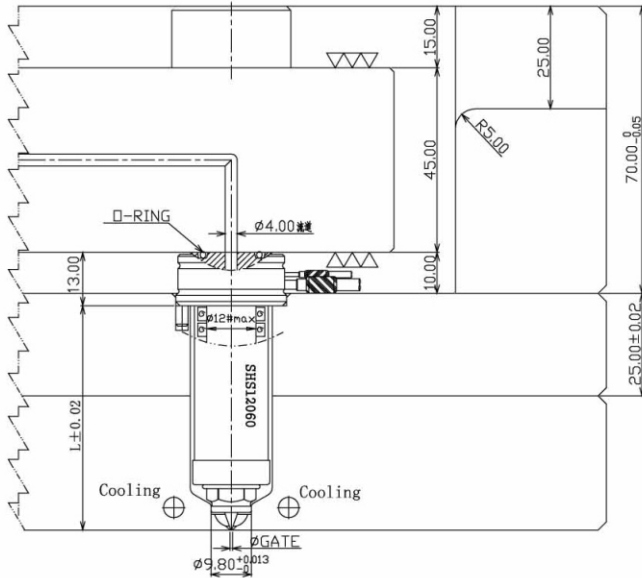
電熱 HEATER	褐色/黑色 BROWN/BLACK	輸出電壓 220V
感溫 THERMO COUPLE	紅色/黑色 RED/BLACK	TC+
	藍色/白色 BLUE/WHITE	TC-

可互換密封套
TRANSFER SEAL #

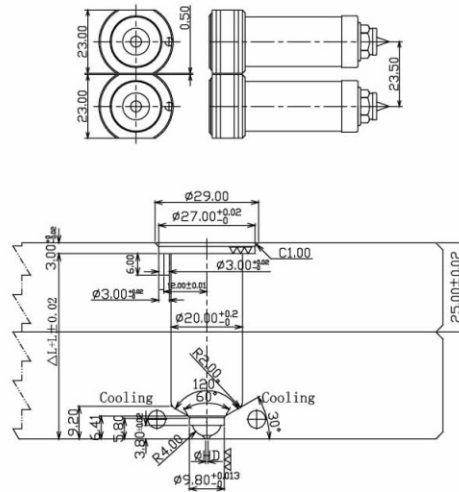
密封套A SEAL A	澆口 GATE	密封套B SEAL B	澆口 GATE
HS0060	0.8-1.5	HS0070	1.0-1.5

可互換嘴型
TRANSFER TIP #

SEAL A	SEAL B	SEAL C
HS0060	HS0070	HS0080



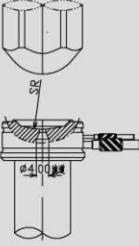
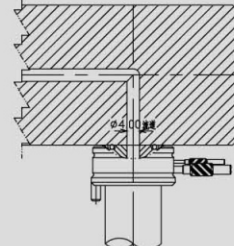
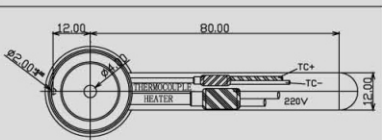
熱咀最小間距
Minimum Nozzle Pitch.

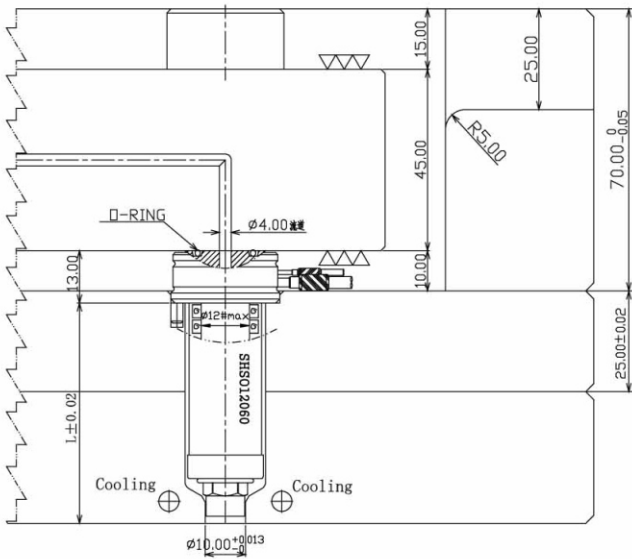


熱咀長度與功率的選擇/NOZZLE LENGTH AND POWER SELECTION								加熱至所需溫度(ΔL) 膨脹量計算公式 THERMAL EXPANSION CALCULATION
NOZZLE#	L	POWER @220V(WATT)	T/C (J/K)	NOZZLE#	L	POWER @220V(WATT)	T/C (J/K)	說明: TE=膨脹量 THERMAL EXPANSION(mm) T=熱嘴溫度 減一般室溫 T=NOZZLE TEMP-ROOM TEMP Z=膨脹係數 EXPANSION COEFFICIENT
SHS12060	60	CH12050200W	SHT10100J/K	SHS12140	140	CH18137440W	SHT10150J/K	$L1=L+TE$ $TE=L \times T \times Z$ $Z=13.2 \times 10^{-5}$
SHS12080	80	CH12070250W	SHT10100J/K					
SHS12100	100	CH12090300W	SHT10100J/K					
SHS12120	120	CH12110360W	SHT10120J/K					

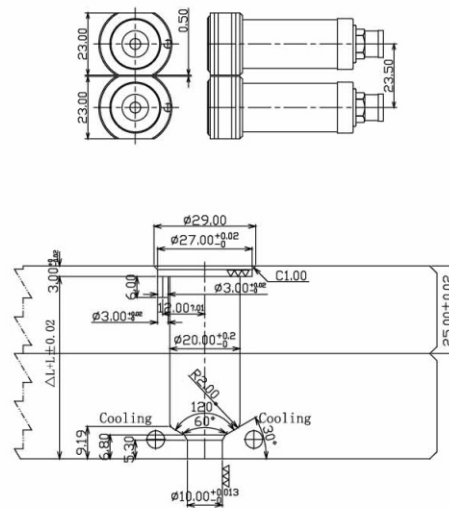
Open System 開放系統

SHS12-I TYPE "S" $\Phi 12$ mm

編碼原則 S H SO 12 單嘴/多嘴 S/M Nozzle 咀身長度 Nozzle length 咀身大小 Nozzle size 表示嘴尖類型 Topless tip 熱流道 Hot runner 信舟 SHINZO			● 單嘴用 S S For single nozzle	● 多嘴用 M M For multi nozzle								
電熱與感溫 HEATER AND THERMOCOUPLE			標準規格R=21.0mm。其他規格由客戶提供。 Standard specification is 21.0mm and other specifications are provided by the clients.	熱嘴需加OR-806"O"形環 O-RING OR-806 Required								
<table border="1"> <tr> <td>電熱 HEATER</td> <td>褐色/黑色 BROWN/BLACK</td> <td>輸出電壓 220V</td> </tr> <tr> <td rowspan="2">感溫 THERMO COUPLE</td> <td>紅色/黑色 RED/BLACK</td> <td>TC+</td> </tr> <tr> <td>藍色/白色 BLUE/WHITE</td> <td>TC-</td> </tr> </table>			電熱 HEATER	褐色/黑色 BROWN/BLACK	輸出電壓 220V	感溫 THERMO COUPLE	紅色/黑色 RED/BLACK	TC+	藍色/白色 BLUE/WHITE	TC-		
電熱 HEATER	褐色/黑色 BROWN/BLACK	輸出電壓 220V										
感溫 THERMO COUPLE	紅色/黑色 RED/BLACK	TC+										
	藍色/白色 BLUE/WHITE	TC-										
			可互換密封套 TRANSFER SEAL #	可互換嘴型 TRANSFER TIP #								
密封套A SEAL A HS0060		澆口 GATE <input type="checkbox"/>	密封套B SEAL B HS0070									
		澆口 GATE <input type="checkbox"/>	SEAL A SEAL B SEAL C HS0060 HS0070 HS0080									



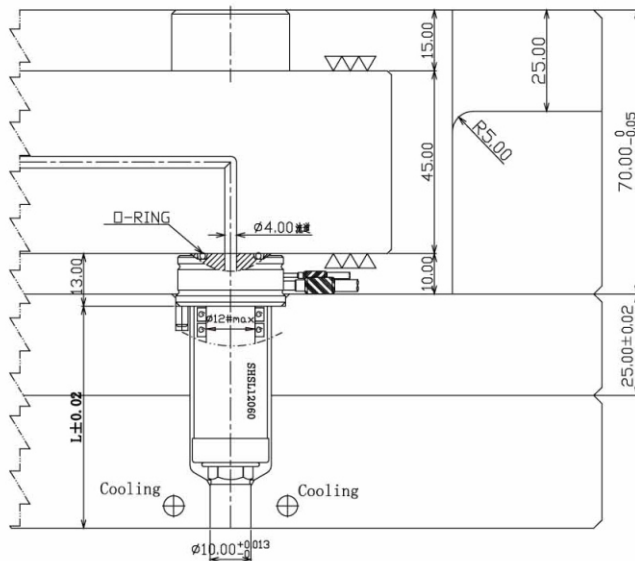
熱咀最小間距
Minimum Nozzle Pitch.



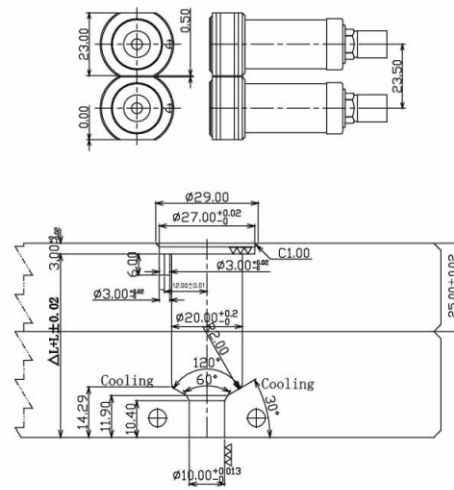
熱咀長度與功率的選擇/NOZZLE LENGTH AND POWER SELECTION							加熱至所需溫度 (ΔL) 膨脹量計算公式 THERMAL EXPANSION CALCULATION	
NOZZLE#	L	POWER @220V(WATT)	T/C (J/K)	NOZZLE#	L	POWER @220V(WATT)	T/C (J/K)	$L1=L+TE$ $TE=L \times T \times Z$ $Z=13.2 \times 10^{-6}$
SHS012060	60	CH12050180W	SHT10100J/K	SHS12140	140	CH18137440W	SHT10150J/K	
SHS012080	80	CH12070240W	SHT10100J/K					
SHS012100	100	CH12090300W	SHT10100J/K					
SHS012120	120	CH12110360W	SHT10120J/K					說明: TE=膨脹量 THERMAL EXPANSION(mm) T=熱嘴溫度 減 一般室溫 T=NOZZLE TEMP-ROOM TEMP Z=膨脹係數 EXPANSION COEFFICIENT

SHS12-I TYPE "S" ϕ 12 mm

<p>編碼原則</p> <p>S H SL 12</p> <p>單嘴/多嘴 S/M Nozzle 咀身長度 Nozzle length 咀身大小 Nozzle size 表示嘴尖類型 Topless tip 熱流道 Hot runner 信舟 SHINZO</p>			<p>● 單嘴用 S S For single nozzle</p>	<p>● 多嘴用 M M For multi nozzle</p>								
<p>標準規格R=21.0mm, 其他規格由客戶提供. Standard specification is 21.0mm and other specifications are provided by the clients.</p>			<p>熱嘴需加OR-806"O"形環 O-RING OR-806 Required</p>									
<p>電熱與感溫 HEATER AND THERMOCOUPLE</p> <table border="1"> <tr> <td>電熱 HEATER</td> <td>褐色/黑色 BROWN/BLACK</td> <td>輸出電壓 220V</td> </tr> <tr> <td rowspan="2">感溫 THERMO COUPLE</td> <td>紅色/黑色 RED/BLACK</td> <td>TC+</td> </tr> <tr> <td>藍色/白色 BLUE/WHITE</td> <td>TC-</td> </tr> </table>			電熱 HEATER	褐色/黑色 BROWN/BLACK	輸出電壓 220V	感溫 THERMO COUPLE	紅色/黑色 RED/BLACK	TC+	藍色/白色 BLUE/WHITE	TC-		
電熱 HEATER	褐色/黑色 BROWN/BLACK	輸出電壓 220V										
感溫 THERMO COUPLE	紅色/黑色 RED/BLACK	TC+										
	藍色/白色 BLUE/WHITE	TC-										
			<p>可互換密封套 TRANSFER SEAL #</p>									
			<p>可互換嘴型 TRANSFER TIP #</p>									
			<p>密封套A SEAL A</p>	<p>澆口 GATE</p>								
			<p>密封套B SEAL B</p>	<p>澆口 GATE</p>								
			<p>HS0060</p>	<p>0.8-1.5</p>								
			<p>HS0070</p>	<p>1.0-1.5</p>								



熱咀最小間距
Minimum Nozzle Pitch.

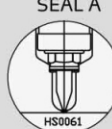


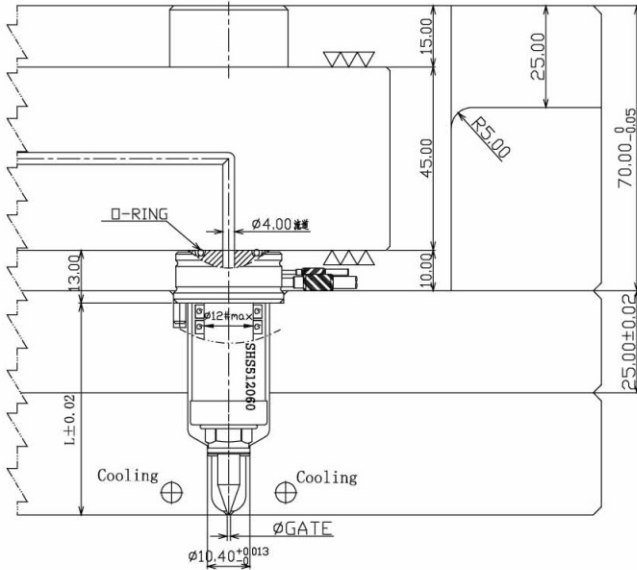
熱咀長度與功率的選擇/NOZZLE LENGTH AND POWER SELECTION							加熱至所需溫度(ΔL) 膨脹量計算公式 THERMAL EXPANSION CALCULATION
NOZZLE#	L	POWER @220V(WATT)	T/C (J/K)	NOZZLE#	L	POWER @220V(WATT)	T/C (J/K)
SHSL12060	60	CH12050140W	SHT10100J/K	SHSL12140	140	CH18137440W	SHT10150J/K
SHSL12080	80	CH12070200W	SHT10100J/K				
SHSL12100	100	CH12090280W	SHT10100J/K				
SHSL12120	120	CH12110340W	SHT10120J/K				

說明: TE=膨脹量
THERMAL EXPANSION(mm)
T=熱嘴溫度 減 一般室溫
T-NOZZLE TEMP-ROOM TEMP
Z=膨脹係數
EXPANSION COEFFICIENT

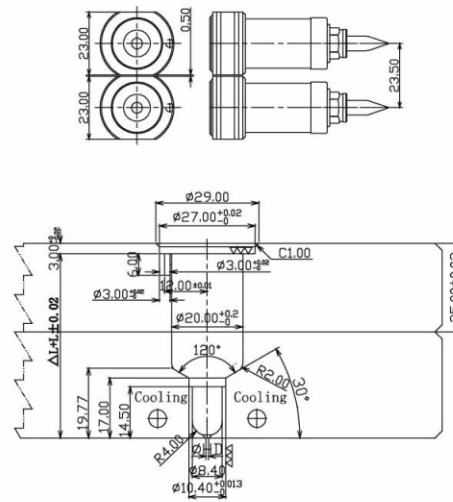
$$L1=L+TE TE=LxTxZ Z=13.2x10^{-6}$$

SHS12-I TYPE "S" $\phi 12$ mm

<p>編碼原則</p> <p>S H S5 12</p> <p>● 單嘴用 S S For single nozzle</p> <p>● 多嘴用 M M For multi nozzle</p> <p>標準規格R=21.0mm, 其他規格由客戶提供。 Standard specification is 21.0mm and other specifications are provided by the clients.</p> <p>熱嘴需加OR-806"O"形環 O-RING OR-806 Required</p>										
<p>電熱與感溫 HEATER AND THERMOCOUPLE</p> <table border="1"> <tr> <td>電熱 HEATER</td> <td>褐色/黑色 BROWN/BLACK</td> <td>輸出電壓 220V</td> </tr> <tr> <td rowspan="2">感溫 THERMO COUPLE</td> <td>紅色/黑色 RED/BLACK</td> <td>TC+</td> </tr> <tr> <td>藍色/白色 BLUE/WHITE</td> <td>TC-</td> </tr> </table>			電熱 HEATER	褐色/黑色 BROWN/BLACK	輸出電壓 220V	感溫 THERMO COUPLE	紅色/黑色 RED/BLACK	TC+	藍色/白色 BLUE/WHITE	TC-
電熱 HEATER	褐色/黑色 BROWN/BLACK	輸出電壓 220V								
感溫 THERMO COUPLE	紅色/黑色 RED/BLACK	TC+								
	藍色/白色 BLUE/WHITE	TC-								
<p>可互換密封套 TRANSFER SEAL #</p> <table border="1"> <tr> <td>密封套A SEAL A</td> <td>澆口 GATE <input type="checkbox"/></td> </tr> <tr> <td>HS0061</td> <td>0.8-1.5</td> </tr> </table>			密封套A SEAL A	澆口 GATE <input type="checkbox"/>	HS0061	0.8-1.5				
密封套A SEAL A	澆口 GATE <input type="checkbox"/>									
HS0061	0.8-1.5									
<p>SEAL A</p> 										



熱阻最小間距
Minimum Nozzle Pitch.



熱阻長度與功率的選擇/NOZZLE LENGTH AND POWER SELECTION				加熱至所需溫度(ΔL) 膨脹量計算公式 THERMAL EXPANSION CALCULATION			
NOZZLE#	L	POWER @220V(WATT)	T/C (J/K)	NOZZLE#	L	POWER @220V(WATT)	T/C (J/K)
SHS512060	60	CH12050140W	SHT10100J/K	SHS12140	140	CH18137440W	SHT10150J/K
SHS512080	80	CH12070200W	SHT10100J/K				
SHS512100	100	CH12090270W	SHT10100J/K				
SHS512120	120	CH12110340W	SHT10120J/K				

說明: TE=膨脹量
THERMAL EXPANSION(mm)
T=熱嘴溫度 減 一般室溫
T-NOZZLE TEMP-ROOM TEMP
Z=膨脹係數
EXPANSION COEFFICIENT

SHS12-I TYPE "S" $\phi 12$ mm

編碼原則

S H S10 12

● 單嘴用 S
S For single nozzle

● 多嘴用 M
M For multi nozzle

單嘴/多嘴
S/M Nozzle
咀身長度
Nozzle length
咀身大小
Nozzle size
表示嘴尖類型
Topless tip
熱流道
Hot runner
信舟
SHINZO

標準規格R=21.0mm, 其他規格由客戶提供。
Standard specification is 21.0mm and other specifications are provided by the clients.

熱嘴需加OR-806"O"形環
O-RING OR-806 Required

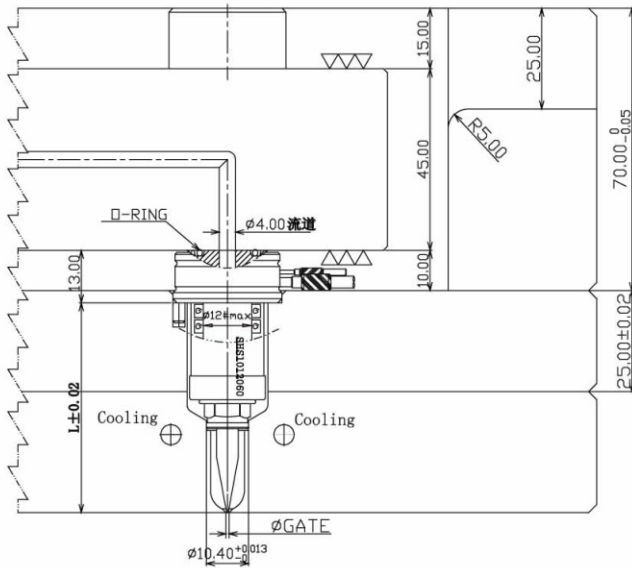
電熱與感溫
HEATER AND THERMOCOUPLE

電熱 HEATER	褐色/黑色 BROWN/BLACK	輸出電壓 220V
感溫 THERMO COUPLE	紅色/黑色 RED/BLACK	TC+
	藍色/白色 BLUE/WHITE	TC-

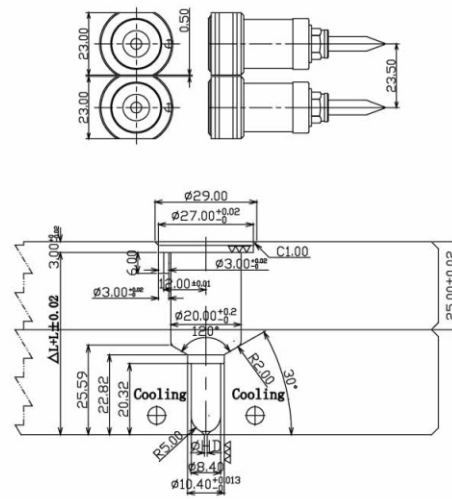
可互換密封套
TRANSFER SEAL #

密封套A SEAL A	澆口 GATE <input type="checkbox"/>
HS0062	0.8-1.5

SEAL A



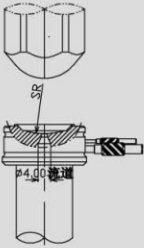
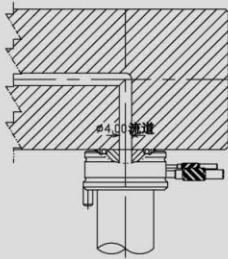
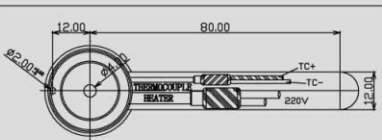
熱咀最小間距
Minimum Nozzle Pitch.

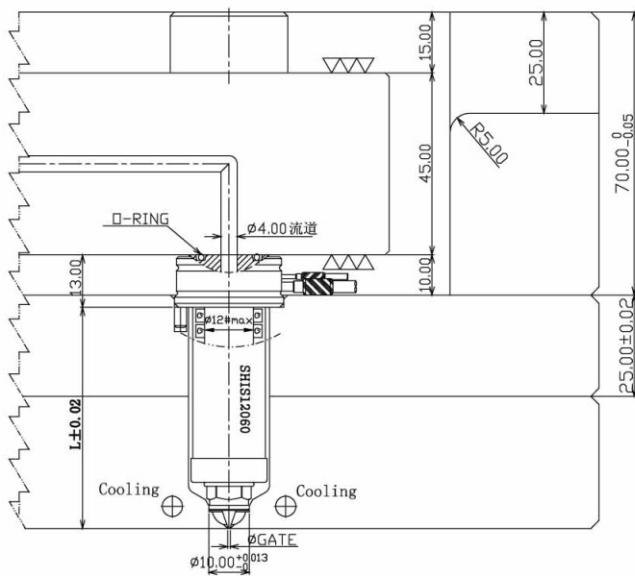


熱咀長度與功率的選擇 / NOZZLE LENGTH AND POWER SELECTION							加熱至所需溫度(ΔL) 膨脹量計算公式 THERMAL EXPANSION CALCULATION	
NOZZLE#	L	POWER @220V(WATT)	T/C (J/K)	NOZZLE#	L	POWER @220V(WATT)	T/C (J/K)	
SHS1012060	60	CH12050140W	SHT10100J/K	SHS12140	140	CH18137440W	SHT10150J/K	$L1=L+TE TE=LxTxZ Z=13.2x10^{-6}$
SHS1012080	80	CH12070200W	SHT10100J/K					說明: TE=膨脹量 THERMAL EXPANSION(mm) T=熱嘴溫度 或 腔室溫 T=NOZZLE TEMP-ROOM TEMP Z=膨脹係數 EXPANSION COEFFICIENT
SHS1012100	100	CH12090270W	SHT10100J/K					
SHS1012120	120	CH12110340W	SHT10120J/K					

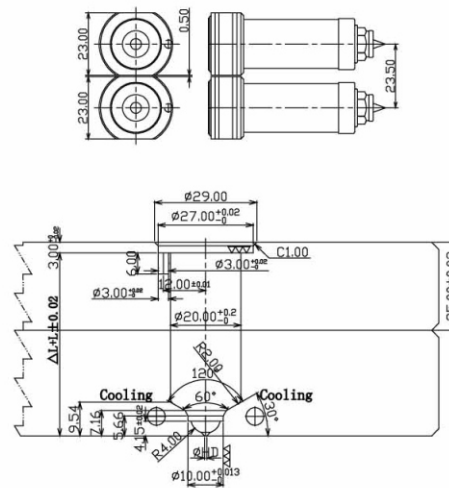
Open System 開放系統

SHI12-I TYPE "I" $\phi 12$ mm

編碼原則			● 單嘴用 S S For single nozzle	● 多嘴用 M M For multi nozzle
S	H	IS 12	標準規格R=21.0mm, 其他規格由客戶提供. 熱嘴需加OR-806"O"形環 Standard specification is 21.0mm and other specifications are provided by the clients.	熱嘴需加OR-806"O"形環 O-RING OR-806 Required
				
			可互換密封套 TRANSFER SEAL #	可互換嘴型 TRANSFER TIP #
電熱 HEATER	褐色/黑色 BROWN/BLACK	輸出電壓 220V	密封套A SEAL A	澆口 GATE <input type="checkbox"/>
感溫 THERMO COUPLE	紅色/黑色 RED/BLACK	TC+	密封套B SEAL B	澆口 GATE <input type="checkbox"/>
	藍色/白色 BLUE/WHITE	TC-		
電熱與感溫 HEATER AND THERMOCOUPLE				
				
			HS0063	0.8-1.5
			HS0072	1.0-1.5
			SEAL A	SEAL B
			SEAL C	



熱咀最小間距 Minimum Nozzle Pitch.



熱咀長度與功率的選擇/ NOZZLE LENGTH AND POWER SELECTION

NOZZLE#	L	POWER @220V(WATT)	T/C (J/K)	NOZZLE#	L	POWER @220V(WATT)	T/C (J/K)	加熱至所需溫度(ΔL) 膨脹量計算公式 THERMAL EXPANSION CALCULATION
SHIS12060	60	CH12050180W	SHT10100J/K	SHIS12140	140	CH18137460W	SHT10150J/K	$L1=L+TE=Z \times T \times Z$ 說明: TE=膨脹量 THERMAL EXPANSION(mm) T=熱嘴溫度減一般室溫 T=NOZZLE TEMP-ROOM TEMP Z=膨脹係數 EXPANSION COEFFICIENT
SHIS12080	80	CH12070250W	SHT10100J/K					
SHIS12100	100	CH12090320W	SHT10100J/K					
SHIS12120	120	CH12110380W	SHT10120J/K					

SHI12-I TYPE "I" $\phi 12$ mm

編碼原則

S H IL 12

● 單嘴用 S
S For single nozzle

● 多嘴用 M
M For multi nozzle

標準規格R=21.0mm。其他規格由客戶提供。
Standard specification is 21.0mm and other specifications are provided by the clients.

熱嘴需加OR-806"O"形環
O-RING OR-806 Required

電熱與感溫
HEATER AND THERMOCOUPLE

電熱 HEATER	褐色/黑色 BROWN/BLACK	輸出電壓 220V
感溫 THERMO COUPLE	紅色/黑色 RED/BLACK	TC+
	藍色/白色 BLUE/WHITE	TC-

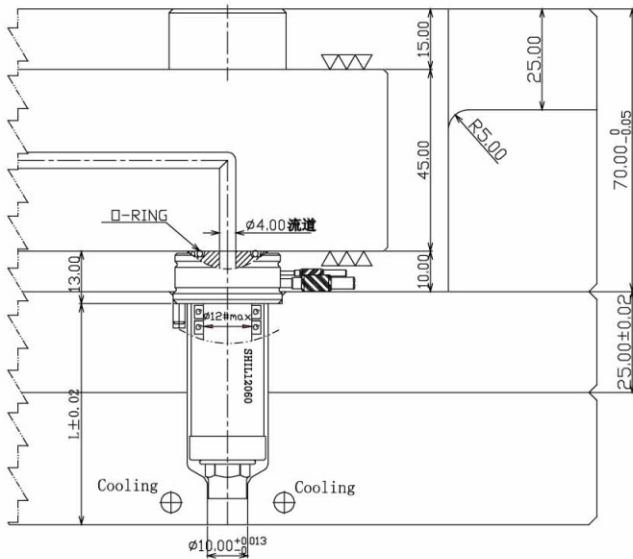
單嘴/多嘴
S/M Nozzle
咀身長度
Nozzle length
咀身大小
Nozzle size
表示嘴尖類型
Topless tip
熱流道
Hot runner
信舟
SHINZO

可互換密封套
TRANSFER SEAL #

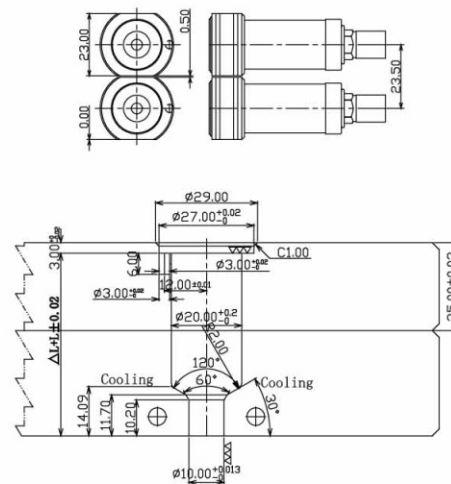
密封套A SEAL A	澆口 GATE	密封套B SEAL B	澆口 GATE
HS0063	0.8-1.5	HS0072	1.0-1.5

可互換嘴型
TRANSFER TIP #

SEAL A	SEAL B	SEAL C
HS0063	HS0072	HS0082



熱咀最小間距 Minimum Nozzle Pitch.



熱咀長度與功率的選擇 / NOZZLE LENGTH AND POWER SELECTION							加熱至所需溫度(ΔL) 膨脹量計算公式 THERMAL EXPANSION CALCULATION	
NOZZLE#	L	POWER @220V(WATT)	T/C (J/K)	NOZZLE#	L	POWER @220V(WATT)	T/C (J/K)	$L1=L+TE TE=LxTxZ=13.2x10^{-6}$ 說明: TE=膨脹量 THERMAL EXPANSION(mm) T=熱嘴溫度 減 一腔室溫 T=NOZZLE TEMP-ROOM TEMP Z=膨脹係數 EXPANSION COEFFICIENT
SHIL12060	60	CH12050200W	SHT10100J/K	SHIL12140	140	CH18137440W	SHT10150J/K	
SHIL12080	80	CH12070250W	SHT10100J/K					
SHIL12100	100	CH12090300W	SHT10100J/K					
SHIL12120	120	CH12110360W	SHT10120J/K					

SHI12-I TYPE "I" $\phi 12$ mm

編碼原則

S H I5 12

單嘴/多嘴
S/M Nozzle
咀身長度
Nozzle length
咀身大小
Nozzle size
表示嘴尖類型
Topless tip
熱流道
Hot runner
信舟
SHINZO

電熱與感溫
HEATER AND THERMOCOUPLE

電熱 HEATER	褐色/黑色 BROWN/BLACK	輸出電壓 220V
感溫 THERMO COUPLE	紅色/黑色 RED/BLACK	TC+
	藍色/白色 BLUE/WHITE	TC-

● 單嘴用 S
S For single nozzle

● 多嘴用 M
M For multi nozzle

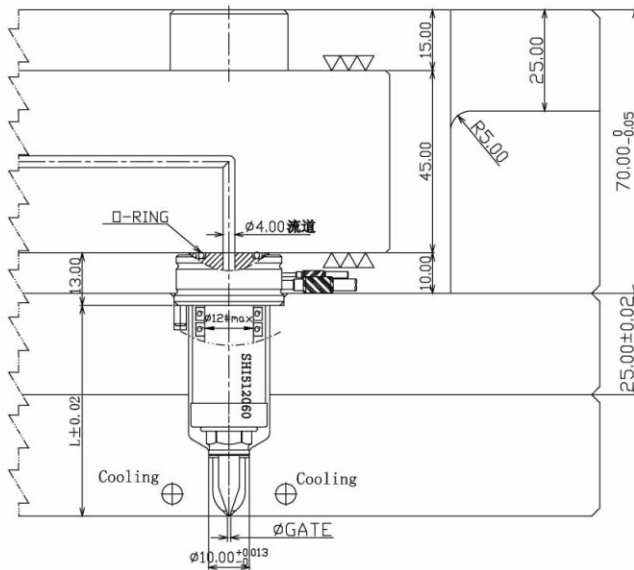
標準規格R=21.0mm, 其他規格由客戶提供。
Standard specification is 21.0mm and other specifications are provided by the clients.

熱嘴需加OR-806"O"形環
O-RING OR-806 Required

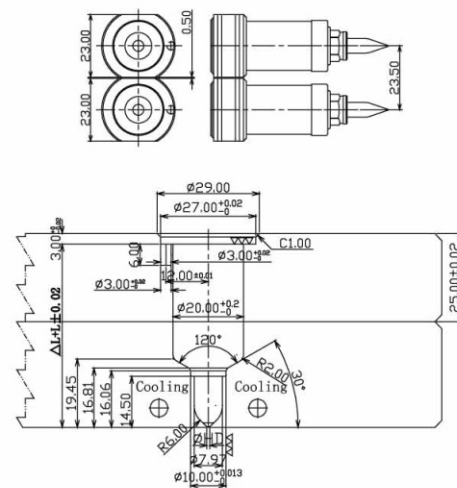
可互換密封套
TRANSFER SEAL #

密封套A SEAL A	澆口 GATE <input type="checkbox"/>
HS0064	0.8-1.2

SEAL A



熱咀最小間距
Minimum Nozzle Pitch.



熱咀長度與功率的選擇 / NOZZLE LENGTH AND POWER SELECTION

NOZZLE#	L	POWER @220V(WATT)	T/C (J/K)	NOZZLE#	L	POWER @220V(WATT)	T/C (J/K)
SHI512060	60	CH12050140W	SHT10100J/K	SHI512140	140	CH18137400W	SHT10150J/K
SHI512080	80	CH12070200W	SHT10100J/K				
SHI512100	100	CH12090270W	SHT10100J/K				
SHI512120	120	CH12110340W	SHT10120J/K				

加熱至所需溫度(ΔL)
膨脹量計算公式
THERMAL EXPANSION
CALCULATION

$$L1=L+TE TE=L \times T \times Z=13.2 \times 10^{-6}$$

說明: TE=膨脹量
THERMAL EXPANSION(mm)
T=熱嘴溫度減一腔室溫
T=NOZZLE TEMP-ROOM TEMP
Z=膨脹係數
EXPANSION COEFFICIENT

Open System 開放系統

SHI12-I TYPE "I" $\phi 12$ mm

編碼原則

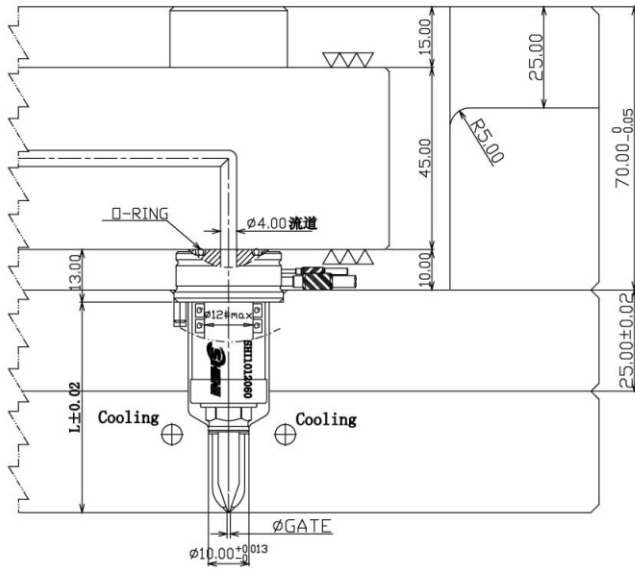
S H I10 12 [] []

- 單嘴/多嘴 S/M Nozzle
- 咀身長度 Nozzle length
- 咀身大小 Nozzle size
- 表示嘴尖類型 Topless tip
- 熱流道 Hot runner
- 信舟 SHINZO

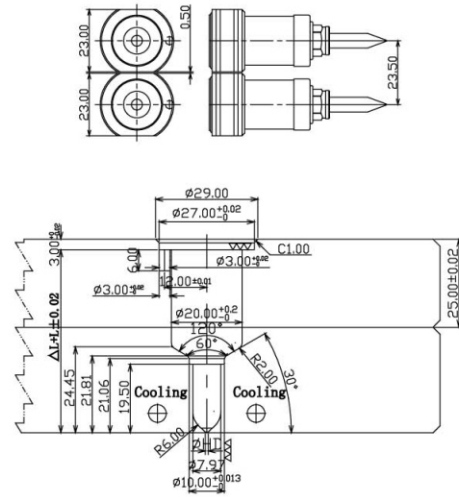
電熱與感溫 HEATER AND THERMOCOUPLE

電熱 HEATER	褐色/黑色 BROWN/BLACK	輸出電壓 220V
感溫 THERMO COUPLE	紅色/黑色 RED/BLACK	TC+
	藍色/白色 BLUE/WHITE	TC-

可互換密封套 TRANSFER SEAL #		澆口 GATE <input type="checkbox"/>
密封套A SEAL A	H50065	
SEAL A		HS0065



熱咀最小間距
Minimum Nozzle Pitch.



熱咀長度與功率的選擇 / NOZZLE LENGTH AND POWER SELECTION

NOZZLE#	L	POWER @220V(WATT)	T/C (J/K)	NOZZLE#	L	POWER @220V(WATT)	T/C (J/K)	加熱至所需溫度(ΔL) 膨脹量計算公式 THERMAL EXPANSION CALCULATION
SHI1012060	60	CH12050140W	SHT10100J/K	SHI512140	140	CH18137400W	SHT10150J/K	$L\Delta L = TE \cdot TE \cdot L \cdot T \cdot Z = 13.2 \times 10^{-6}$ 說明: TE=膨脹量 THERMAL EXPANSION(mm) T=熱嘴溫度減一般室溫 T=NOZZLE TEMP-ROOM TEMP Z=膨脹係數 EXPANSION COEFFICIENT
SHI1012080	80	CH12070200W	SHT10100J/K					
SHI1012100	100	CH12090270W	SHT10100J/K					
SHI1012120	120	CH12110340W	SHT10120J/K					

