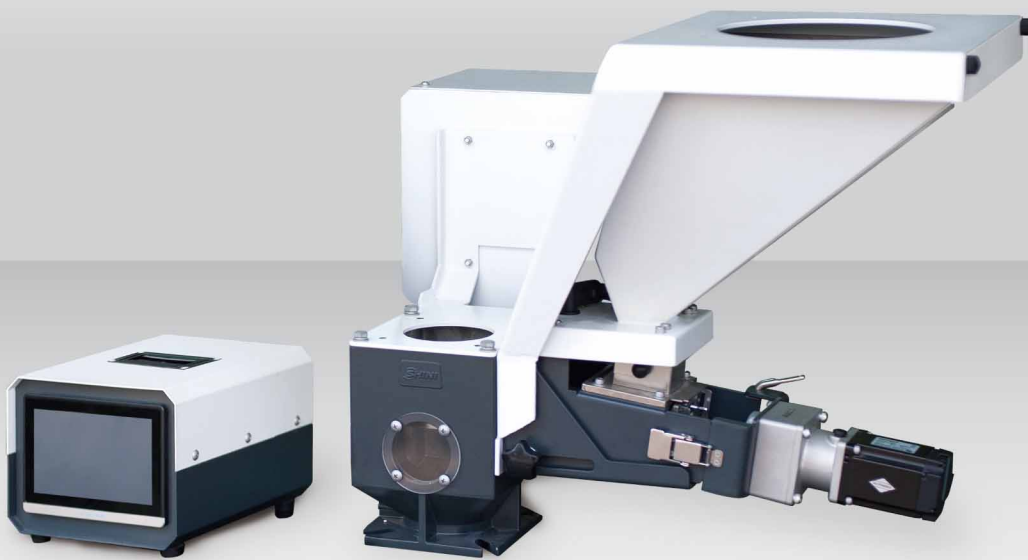


## Gravimetric Doser

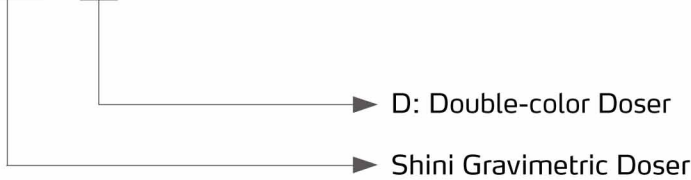
SGD



Refer carefully to this manual before operation.

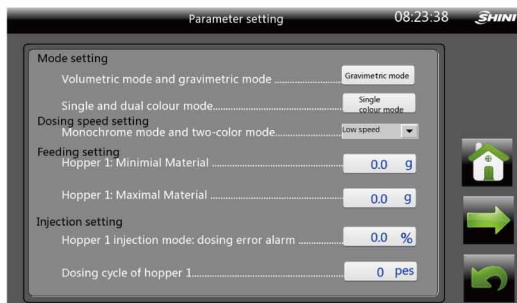
## ■ Coding Principle

SGD - (D)

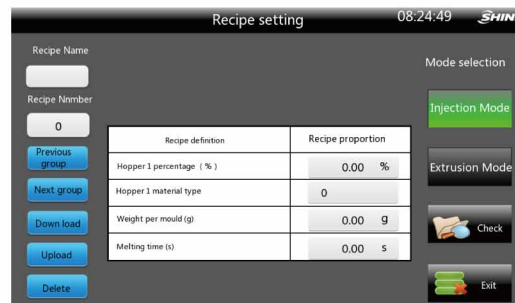


## ■ Features

- Chrome coating dosing screw for extended durability.
- Servo motor to ensure fast response, smooth feeding, and precision dosing.
- Modular design for easy to disassemble, easy to clean, and replace.
- Material purge cleaning for easy replacement of masterbatch.
- Uninterrupted by power failure, and resume operation after power recovery.
- The unit is data communication ready via ethernet Modbus TCP.
- Support data export function to check production status.
- Dosing control through loss-it-weight technology for satisfying high dosing precision needs.



Parameter Setting Mode

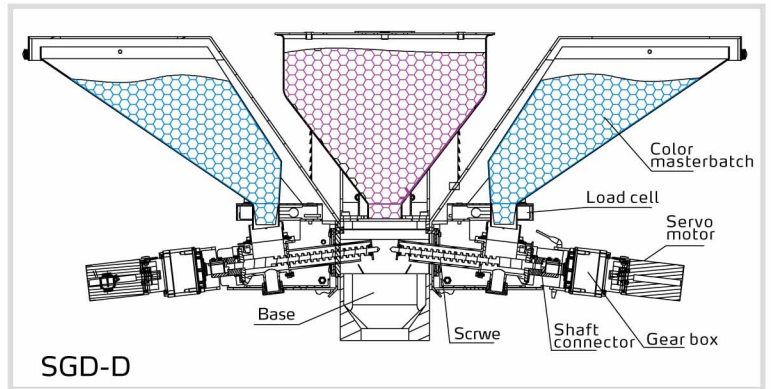
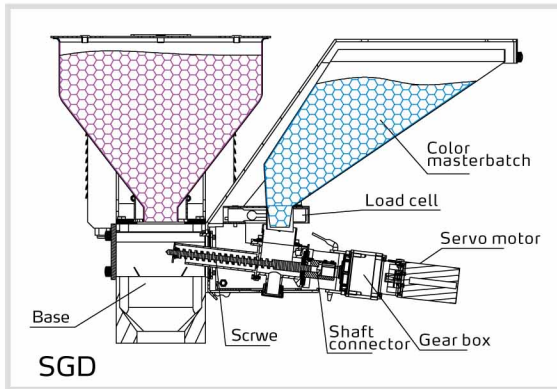


Recipe Edit Menu

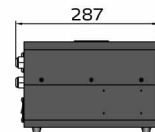
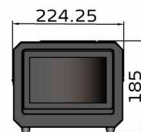
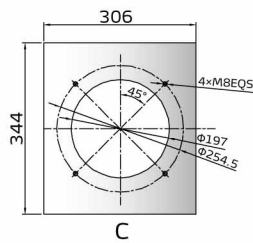
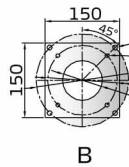
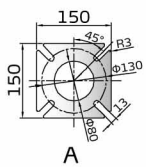
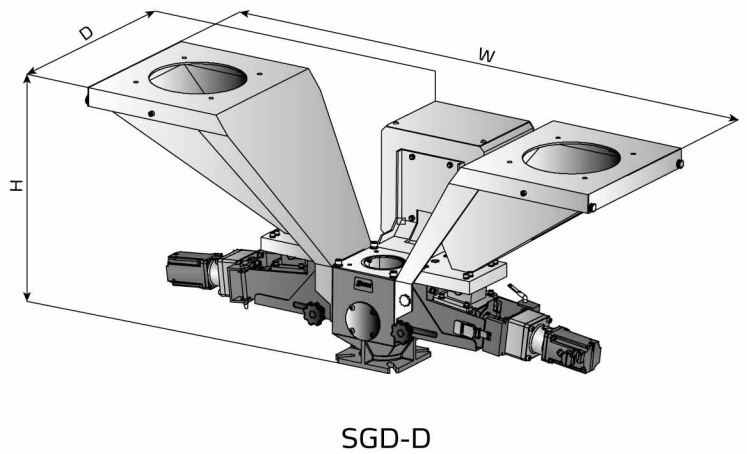
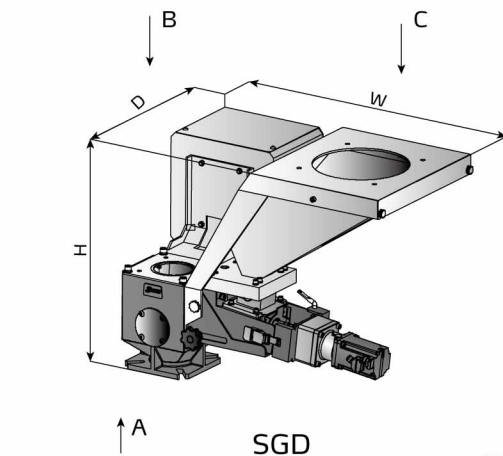
## ■ Application

The servo-driven SGD series gravimetric doser is controlled by PLC. It is suitable for injection moulding and extrusion occasions, which require a precision dosing ratio with masterbatch, additive, virgin, or regrind. SGD can work with the VL - Venturi Loader to realize the auto conveying of the masterbatch to the dosing unit. The unit is also available in dual doser.

## Working Principle



## Outline Drawings



Control box

# SGD Series

## Specifications

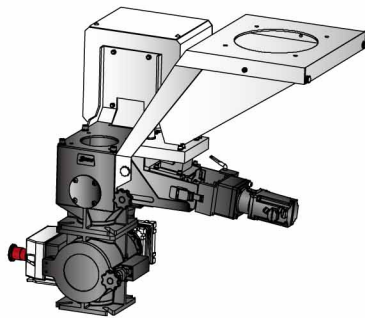
Model	SGD	SGD-D
Motor Power (kW)	0.4	0.4 × 2
Screw External Dia.(mm)	16	16
Output Capacity (kg/hr)	0.1~32	0.1~64
Storage Hopper (L)	10	10
Dimensions	H(mm)	510
	W(mm)	720
	D(mm)	536
Weight(kg)	37	56

Notes:1) The outputs of the above models are measured under the conditions of 1.0 kg/L bulk density and masterbatch in diameter of 2-3mm in continuous operation. Actual output capacity may vary due to bulk density, flow ability, granule size, and recipe ratio.

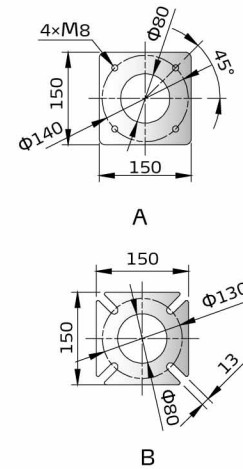
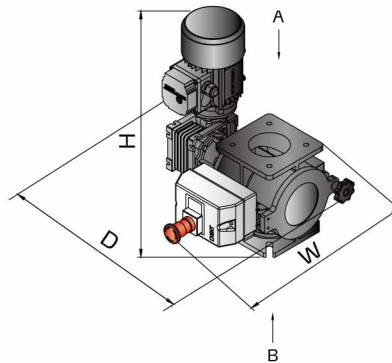
2) Power : 1Φ, 230VAC, 50Hz.

## Accessories

- Mixer CMB-1 enhances the mixing uniformity



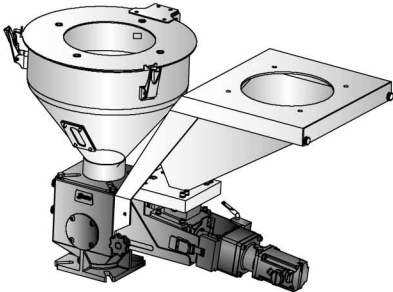
Optional blender



Model	Motor Power (kW)	H(mm)	W(mm)	D(mm)	Weight(kg)
CMB-1	0.25	364	347	371	16

Power :3Φ, 400VAC, 50Hz

- The collective hopper SCH-12U is the main material hopper, makes easy for users to add the main material.



- Heavy base (Used with SHE-E/SEHD-75~300 or SHD-160U~SHD-450U)

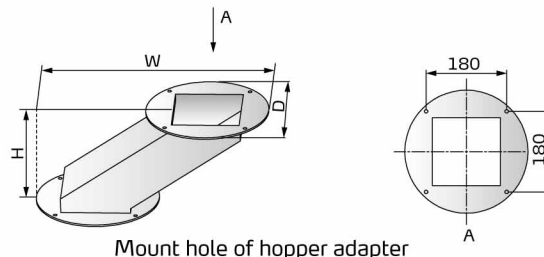
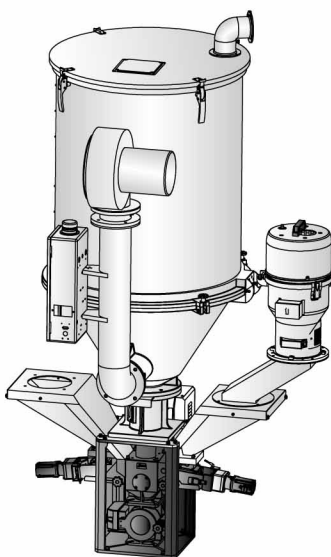


Size of the heavy base

Model	H(mm)	D(mm)	W(mm)	Weight(kg)
HB-1	332	374	374	21
HB-2	527	374	374	25

Notes: When collocating with standard SGD, the model is HB-1.  
When collocating with standard SCM+CMB-1, the model is HB-2.

- Work with a large drying hopper with a heavy base and auto conveying.



Mount hole of hopper adapter

Model	H(mm)	D(mm)	W(mm)	Weight(kg)
HTB	225	275	525	5.2

## Shini Group

Addr: No. 23, Minhe St., Shulin Dist.,  
New Taipei, Taiwan

Tel: +886 2 2680 9119

Fax: +886 2 2680 9229

Email: [shini@shini.com](mailto:shini@shini.com)

### Factories:

- Taiwan
- Dongguan
- Pinghu
- Ningbo
- Chongqing
- Pune

2022-10-15-04 Copyrights Reserved.

[www.shini.com](http://www.shini.com)