



Belt Conveyor

Simple Solution

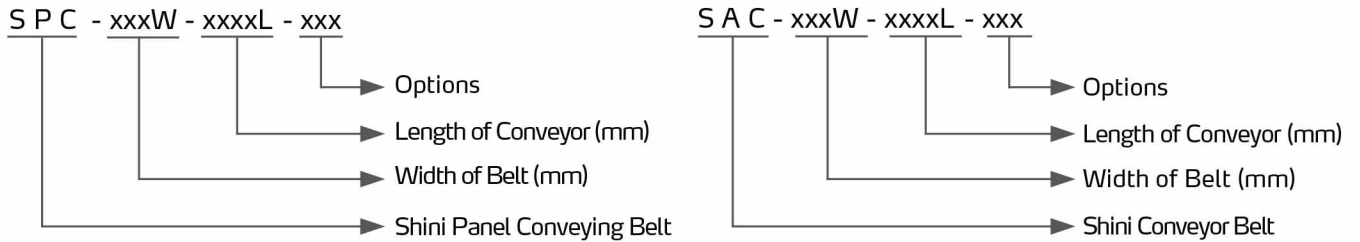
Conveying Belt



SAC-400W

SPC-400W

■ Coding Principle



■ Features

- High precision aluminum profile with fine finishing.
- The belt is made of high-quality PVC material, gentle to the product, and durable.
- Traditional screw lever with handwheel is integrated with the floor stand with a painted surface, and the height can be adjusted according to the lifting size.
- Control speed through hidden knob speed governor that avoids collision, with easy operation.
- With automatic and manual function, can work with a robot or independently;
- Trapezoidal belt pulley and idle pulley can effectively prevent the belt deviation.



Adjustable floor stand



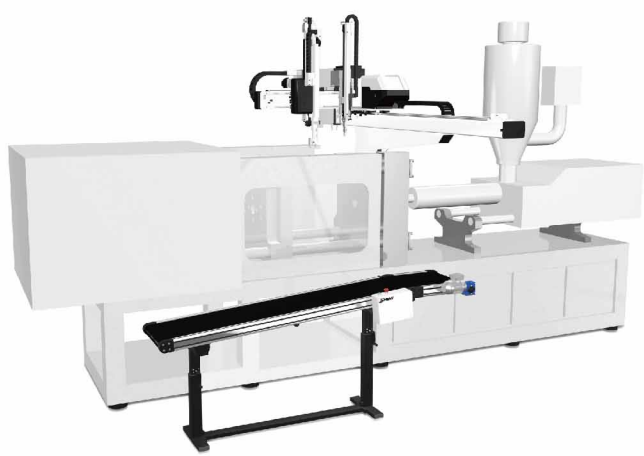
Speed Knob

■ Application

The belt conveyor is designed for the movement of products after the robot removes them from the injection molding machine, improving production efficiency and protecting the product from out of shape.



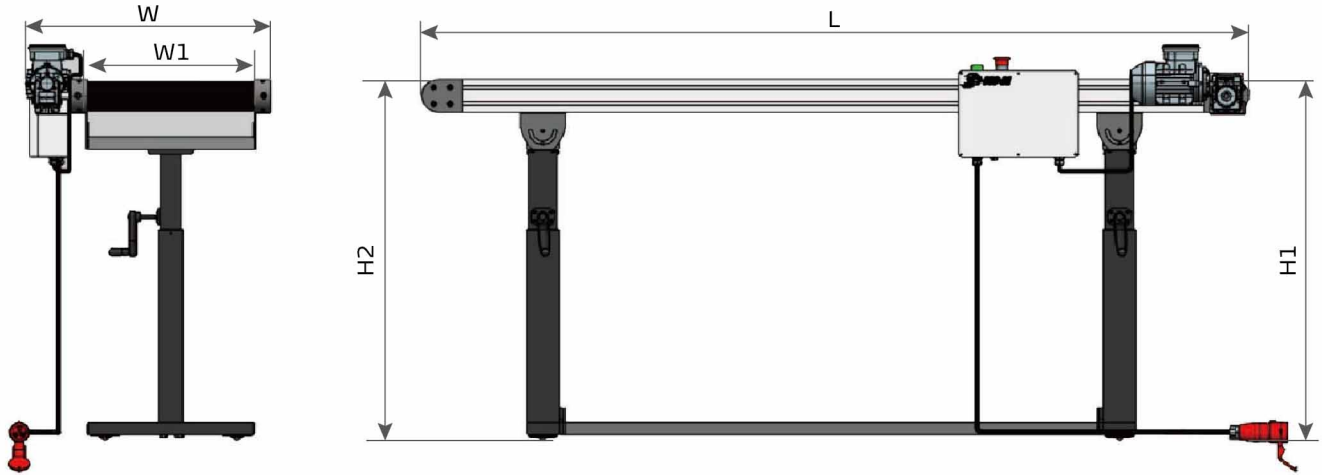
Used with SPC



Used with SAC

Conveying Belt

■ SPC Outline Drawing

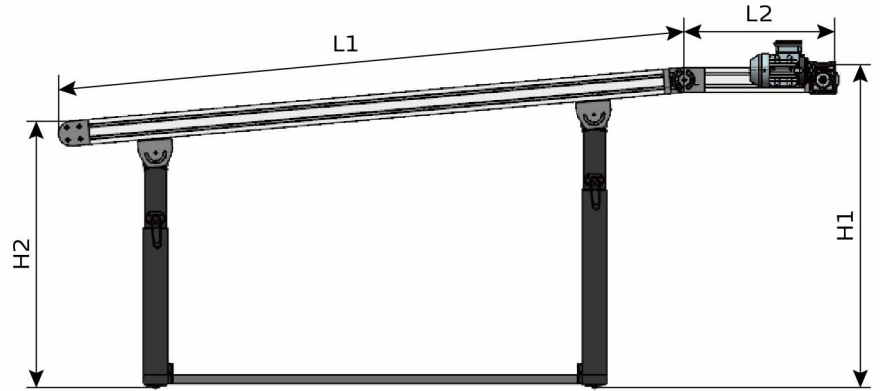


■ SPC Specifications

Model	SPC-200W	SPC-300W	SPC-400W	SPC-500W	SPC-600W
Overall width W(mm)	395	495	595	710	810
Available width W1(mm)	200	300	400	500	600
Length of Belt L(mm)	2000/3000/3500/4000			5000/6000	
Height of Higher End H1 (mm)	1000~1500				
Height of Lower End H2 (mm)	900~1200				
Max. load with a tool (kg)	20 (Uniform)				
Standard speed (m/min)	2~6m/min				
Belt Description	Material: PVC/Thickness: 2mm/Color: Black / Rating of Temperature: -10°C ~ +80°C				
Motor Rated Power (KW)	0.09			0.25	
Power	3Φ, 400VAC, 50Hz/60Hz				

We reserve the right to change specifications without prior notice.

■ SAC Outline Drawing



■ SAC Specifications

Model	SAC-200W	SAC-300W	SAC-400W	SAC-500W	SAC-600W
Overall width W(mm)	395	495	595	710	810
Available width W1(mm)	200	300	400	500	600
Length of Horizontal Belt L2(mm)	400/500/600				
Length of Belt L1+L2(mm)	2500/3500/4000/4500			5500/6500	
Height of Higher End H1(mm)	1000~1500				
Height of Lower End H2(mm)	900~1200				
Max. load with a tool (kg)	20(Uniform)				
Standard speed (m/min)	2~6				
Belt Description	Material: PVC/Thickness: 2mm/Color: Black / Rating of Temperature: -10°C ~ +80°C				
Motor Rated Power (KW)	0.09			0.25	
Power	3Φ, 400VAC, 50Hz/60Hz				

We reserve the right to change specifications without prior notice.

Options

Guide Bar



Model	Specifications B×H(mm)	Width of Bottom (mm)	Height(mm)	Color	Materials	Hardness	Min. roller diameter(mm)	
							Front	Back
01	6×4	6	4	Black	PVC	60	40	30
02	8×5	8	5		PVC	60	50	40
03	10×6	10	6		PVC	60	70	60
04	13×8	13	8		PVC	60	110	80
05	11×17	17	11		PVC	60	180	120

Note: The transmission structure will be changed when it adds "D + model" at the end of the model code and is 04 model or above models.

Division plate



Model	Height(mm)	Bottom×width×height (mm)	Color	Materials	Hardness	Min. roller diameter(mm)
T20	20	20×20	Black	PVC	60	90
T30	30	25×30		PVC	60	120
T40	40	25×40		PVC	60	120
T50	50	25×50		PVC	60	120
T60	60	40×60		PVC	60	150
T70	70	45×75		PVC	60	160
T80	80	47×80		PVC	60	180
T90	90	50×85		PVC	60	200
T100	100	23×90		PVC	60	220

Note: The transmission structure will be changed when it adds "G + model" at the end of the model code and is T30 model or above models.

Edge



Model	Height(mm)	Wave crest(mm)	Color	Materials	Hardness	Min. roller diameter(mm)
S30	30	40	Black	PVC	60	60
S40	40	40		PVC	60	80
S50	50	40		PVC	60	100
S60	60	40		PVC	60	120
S70	70	40		PVC	60	140
S80	80	40		PVC	60	160
S90	90	40		PVC	60	200
S100	100	40		PVC	60	220

Note: The transmission structure will be changed when it adds "Q + model" at the end of the model code and is S40 model or above models.

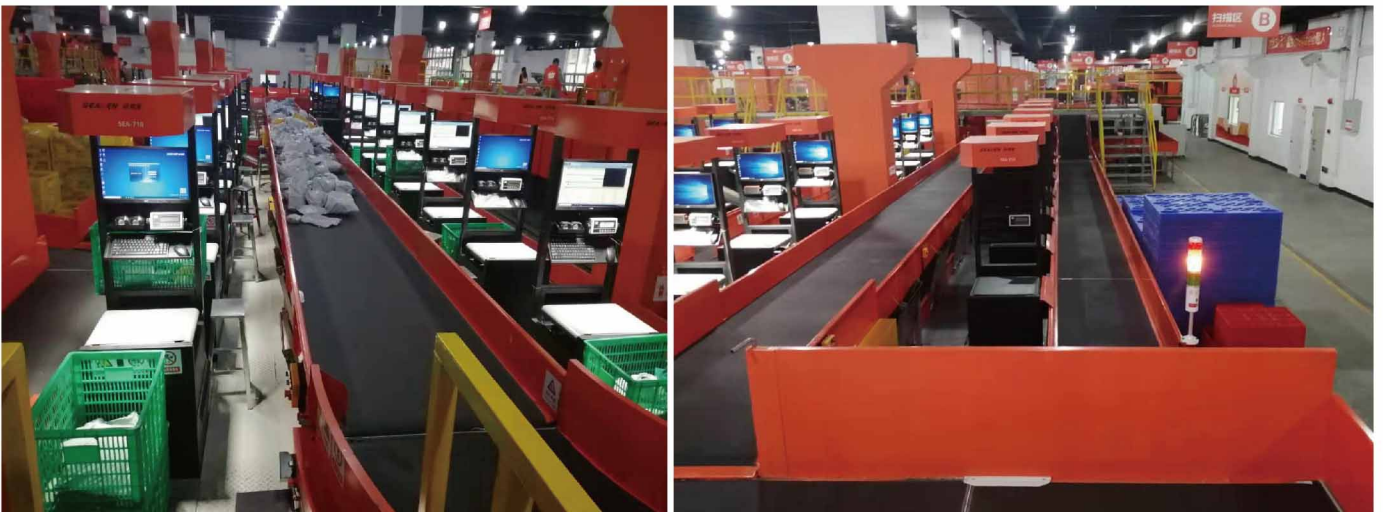
■ Case Sharing

Electronic Industry



After the robot removes the products and places them on the conveyor belt, it delivers them to the sorting area, thus reducing the operators and improving overall working efficiency and the working environment.

Logistics industry



In the logistics industry, the main component of the conveyor is the conveyor belt or conveyor. Its primary function is to let the products be sorted to get through the controller, classifier, and conveyor sides. Generally, it is connected to several sorting crossings to allow the classified products to slide down the main conveyor (or central conveyor belt) for subsequent operations.

Whole Plant Planning

Daily Necessities Industry



Medical Industry



Double Speed Line

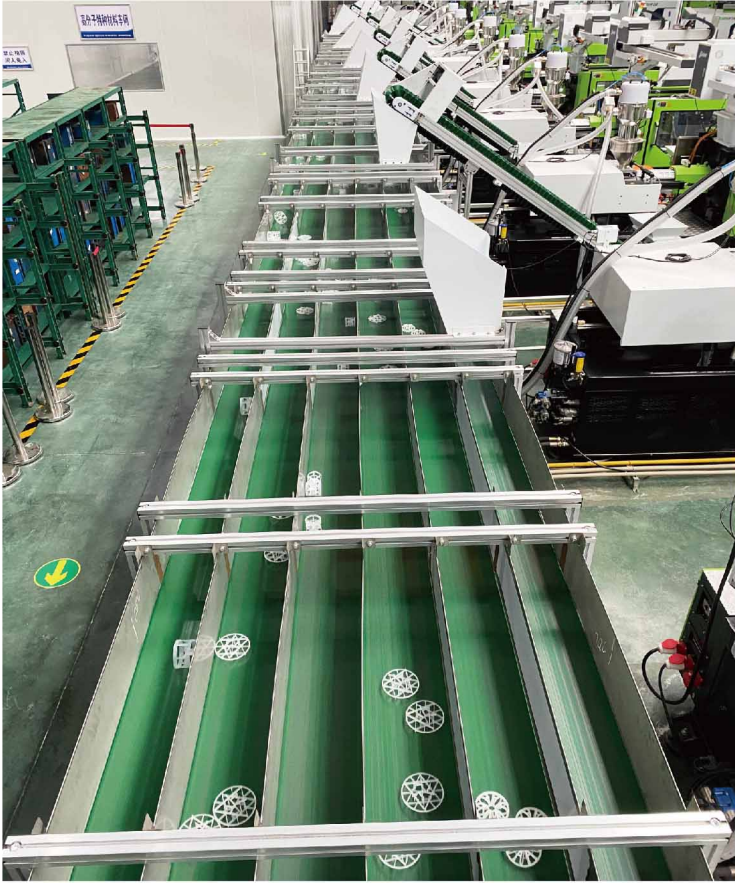


Roller Line



Sorting Line

Chemical Industry



Automobile Industry



Shini Group

Addr: No. 23, Minhe St., Shulin Dist.,
New Taipei, Taiwan

Tel: +886 2 2680 9119

Fax: +886 2 2680 9229

Email: shini@shini.com

Factories:

- Taiwan
- Dongguan
- Pinghu
- Ningbo
- Chongqing
- Pune

2021-05-15-04 Copyrights Reserved.

www.shini.com