



## Sound-proof Central Granulator

SG-4390

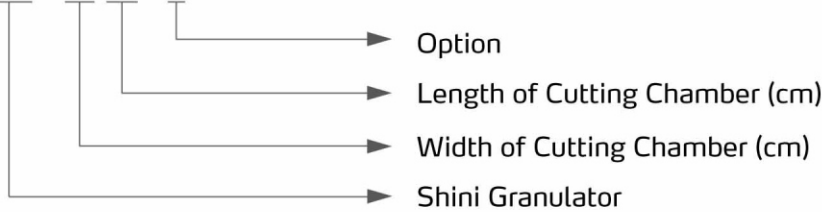


Refer carefully to this manual before operation.

# SG-43 Series

## ■ Coding Principle

SG - xx xx - x



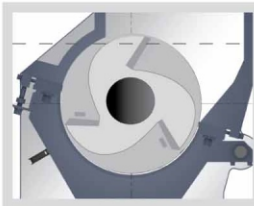
## ■ Features

### ● Fine finishing cutting chamber and cutting tools that need no adjustment

Components in the cutting chamber have been finely finished by CNC lathe, enjoying high accuracy; staggered cutters and structure can effectively disperse impact load and improve cutting efficiency; blade rest needing no adjustment makes it more convenient to change blades.



Cutting Chamber



Two Fixed plus Three Rotating Blades(option)

### ● Automatic conveying device

The machine is equipped with automatic conveying device of regrind materials, which is able to increase the conveying efficiency; materials are conveyed by blowers, which promote airflow and achieve air cooling of the cutting chamber to some extent. Thus, the room temperature of the cutting chamber can be reduced.



### ● Sound-proofing machine

The machine adopts enclosed soundproof box, and in the positions that may make noises, there are sound-absorbing cotton, which can efficiently reduce the noises made in the cutting process.



### ● High-efficiency cutting motor

The machine adopts Siemens high-efficiency motor, which has stable performance as well as safe operation and helps energy consumption,

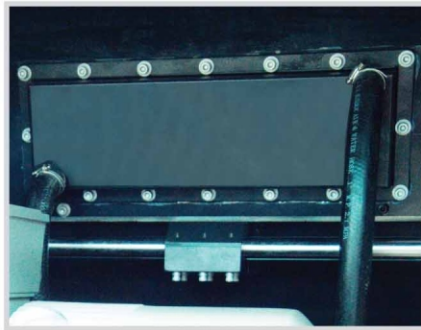


- **Cooling device of cutting chamber**

Cooling water device on the rear plate of cutting chamber can reduce the room temperature of cutting chamber and avoid the melt of regrind materials.



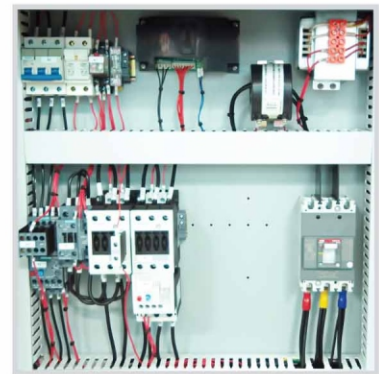
Inlet and outlet



Cooling water Tank

- **Multiple safety protection of control**

Control circuit meets CE standard, and it has multiple protections including protection of motor overload, short circuit, phase default and phase order detection, ensuring safe operation of the machine.

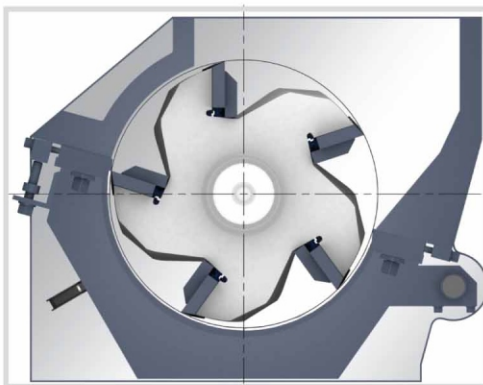


- **Application**

SG-43 series is suitable for centralized recycling of waste and rejected parts from injection, blowing molding and extrusion lines. This series features compact design, easy operation and quick blade replacement. Gradually inclined cutting and integrated power design offers a better cutting effect and a lower noise level, ensures low energy consumption.

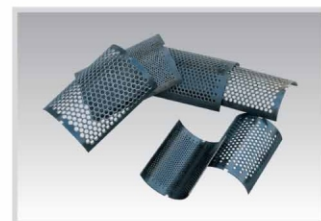
- **Options**

**Two Fixed plus Five Rotating Blades (High Cutting Point)**



Two fixed plus five rotating blades are optional with a small feed port of cutting chamber, suitable for granulating block and solid, thick sheet material.

**Special Screens**



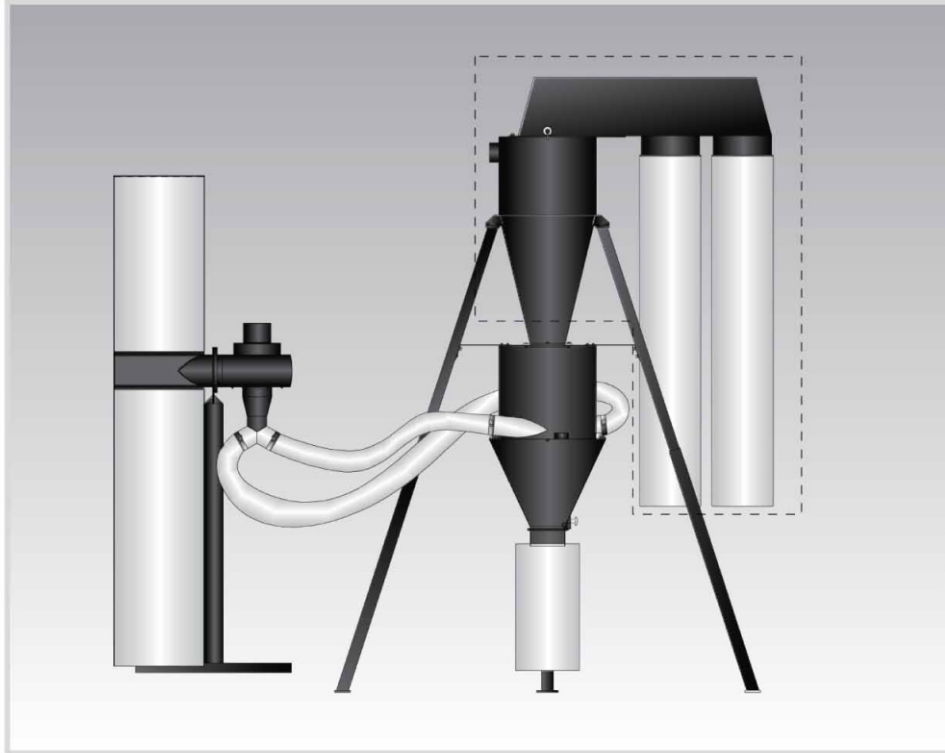
Special screen mesh sizes:  $\Phi 8$ ,  $\Phi 10$ ,  $\Phi 14$ ,  $\Phi 17$ ,  $\Phi 25$  (mm) for SG-43 series.

Add "SS + screen diameter" at the end of the model code, e.g.:  $\Phi 8\text{mm}$  , add "SS08".

# SG-43 Series

## Options

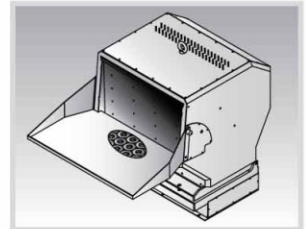
### Cyclone dust separator conveying device



Dust Separator can separate the dust in the regrind for immediate recycle use. The dust will be kept in filter bag, thus working environment will remain clean. This device ensures full use of regrind to avoid material wasting and enhance the economy returns.

Add "DS" at the end of the model code.

### Feed Hopper with Magnet



Feed hopper with magnet is used to take out metal craps and impurities in the material. Add "FHM" at the end of the model code;



### Material Side Feed Pipe

The design of feeding hopper of traditional granulators is not suitable for longer pipes and section bars. We have designed material side feed pipe for convenient feeding of long materials.

Add "SF" at the end of the model code.



### Feeding Hopper for Conveyor

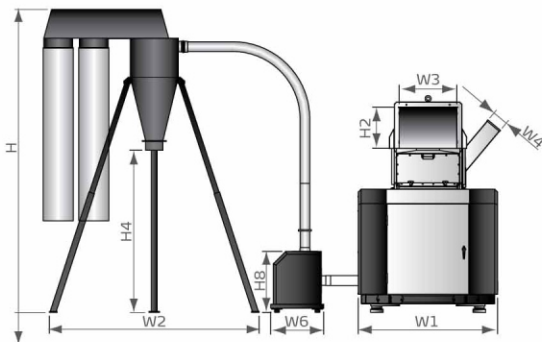
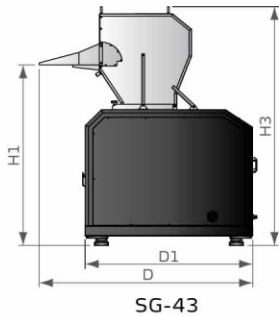
Material feeding for traditional large granulators is quite a difficult matter. They are generally installed at a lower place or a platform must be built for material feeding. Shini has particularly designed the belt conveyor to easily convey the material into the cutting chamber of SG-43 series.

Add "BCF" at the end of the model code.

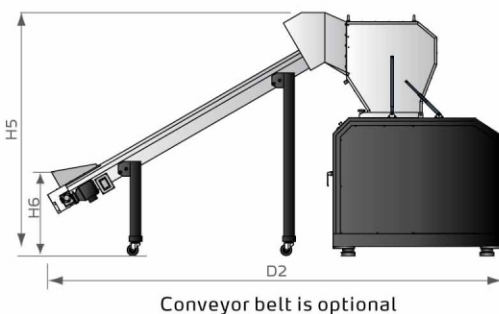
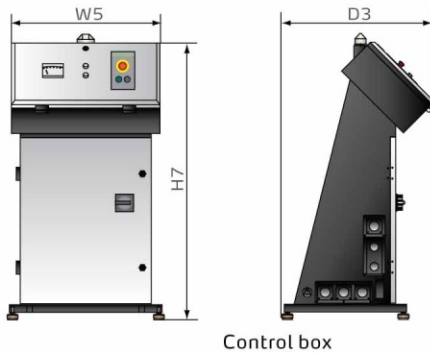
- The function of fiber reinforced material granulating is optional. Adopt surface-hardening treatment on the material contacting component. And blade material is V-4E joint with S50C. Add "F" at the end of the model code;
- Full-receive alarm device helps to realize unmanned operation and no materials will be wasted, Add "FAD" at end of the model code.
- For stainless steel made feed hopper cover plate and storage tank, Add "R" at end of the model code.
- Higher-power blower is optional, add "EC" at the end of model code.
- Higher-power motor is optional, add "H" at the end of model code.



## Outline Drawings



Collocated with the power increased feeding blower



## Specifications

Model		SG-4360(H)	SG-4390(H)	
Motor Power (kW, 50/60Hz)		30/34 (37/41.5)	37/41.5 (45/51)	
Conveying Blower (kW, 50/60Hz)		2.2/2.55	2.2	
Rotating Speed (rpm, 50/60Hz)		525/630	525/630	
Quantity of Fixed Blades		2 x 1	2 x 2	
Quantity of Rotating Blades(Optional)		3 x 1 (5 x 1)	3 x 2 (5 x 2)	
Cutting Chamber	mm	430 x 600	430 x 900	
	inch	16.9 x 23.6	16.9 x 35.4	
Max. Output	kg/hr	800	1000	
	lb/hr	1764	2205	
Noise Level dB(A)		105-110	105-110	
Material of Blades		SKD11	SKD11	
Screen		φ12 mm/0.47"	φ12 mm/0.47"	
Higher-power blower (kW)		○(7.5)	○(7.5)	
Dimensions	H (mm)	mm	2710-3155	2710-3155
		inch	106.7-124.2	106.7-124.2
	H1 (mm)	mm	1708	1708
		inch	67.2	67.2
	H2 (mm)	mm	430	430
		inch	16.9	16.9
	H3 (mm)	mm	2260	2260
		inch	89	89
	H4 (mm)	mm	1240-1690	1240-1690
		inch	48.8-66.5	48.8-66.5
	H5 (mm)	mm	2277	2277
		inch	89.6	89.6
	H6 (mm)	mm	750	750
		inch	29.5	29.5
	H7 (mm)	mm	1268	1268
		inch	50	50
	H8 (mm)	mm	636(970)	636(970)
		inch	25(38.2)	25(38.2)
	W1 (mm)	mm	1450	1750
		inch	57	69
	W2 (mm)	mm	1900-2310	1900-2310
		inch	74.8-90.9	74.8-90.9
	W3 (mm)	mm	600	900
		inch	23.6	35.4
	W4 (mm)	mm	166x 166	166 x 166
		inch	6.5 x 6.5	6.5 x 6.5
	W5 (mm)	mm	720	720
		inch	28.3	28.3
W6 (mm)	mm	552(630)	552(630)	
	inch	21.7(24.8)	21.7(24.8)	
D (mm)	mm	1978	1978	
	inch	77.9	77.9	
D1 (mm)	mm	1553	1553	
	inch	61	61	
D2 (mm)	mm	4300	4300	
	inch	165.4	167.4	
D3 (mm)	mm	690	690	
	inch	27.2	27.2	
Weight	kg	2350 (2430)	2730 (2780)	
	lb	5181 (5357)	6019 (6129)	

Notes: 1) "○" stands for optional.

2) SKD11 is steel grade of Japanese JIS standard.

3) Max. capacity of the machine is subject to diameter of screen mesh and composition of the material.

4) Noise level varies with different materials and motor types.

5) Noise level is tested under conditions of 1m around the machine and 1.6m from the ground.

6) Power supply : 3Φ, 230/400/460/575VAC, 50/60Hz.

## Shini Group

Addr: No. 23, Minhe St., Shulin Dist.,  
New Taipei, Taiwan

Tel: +886 2 2680 9119

Fax: +886 2 2680 9229

Email: [shini@shini.com](mailto:shini@shini.com)

### Factories:

- Taiwan
- Dongguan
- Pinghu
- Ningbo
- Chongqing
- Pune

2017-11-15-04 Copyrights Reserved.

[www.shini.com](http://www.shini.com)