



## "Standard" Hopper Dryer

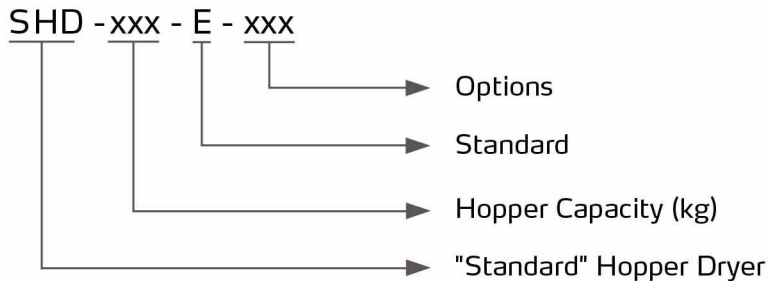
SHD-50E



Refer carefully to the manual before operation.

# SHD-E Series

## ■ Coding Principle



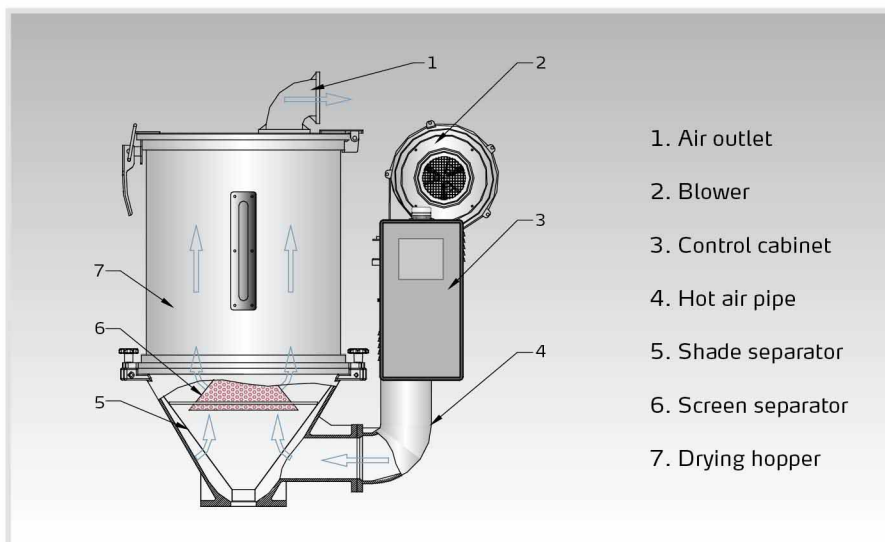
## ■ Features

- Adopt hot air diffuser to keep plastics dry and temperature stable, thus improve drying efficiency.
- All material contact surfaces are made of stainless steel to eliminate material contamination.
- All models are equipped with external power switch.
- For SHD-25~150, heater pipes are connected by lead sheets and other models are equipped with temperature protector to prevent heater pipe from damaging by blower fault.
- Overheat tripping can automatically cut off power when drying temperature exceeds set deviation value.
- Adopt heat-insulated blower to prolong blower lifespan.
- All models standard equipped with 7-day timer and intermittent operation function.
- All models adopt microcomputer control and RS485 communication port.
- Max. drying temperature is 160°C.
- The series of blowers are equipped with overheat protector.



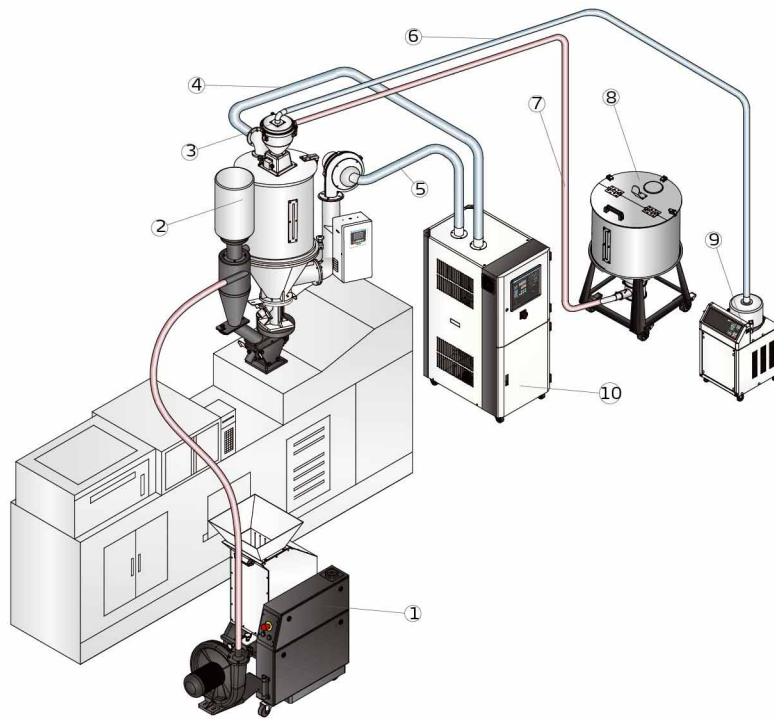
Hopper Inside

## ■ Working Principle



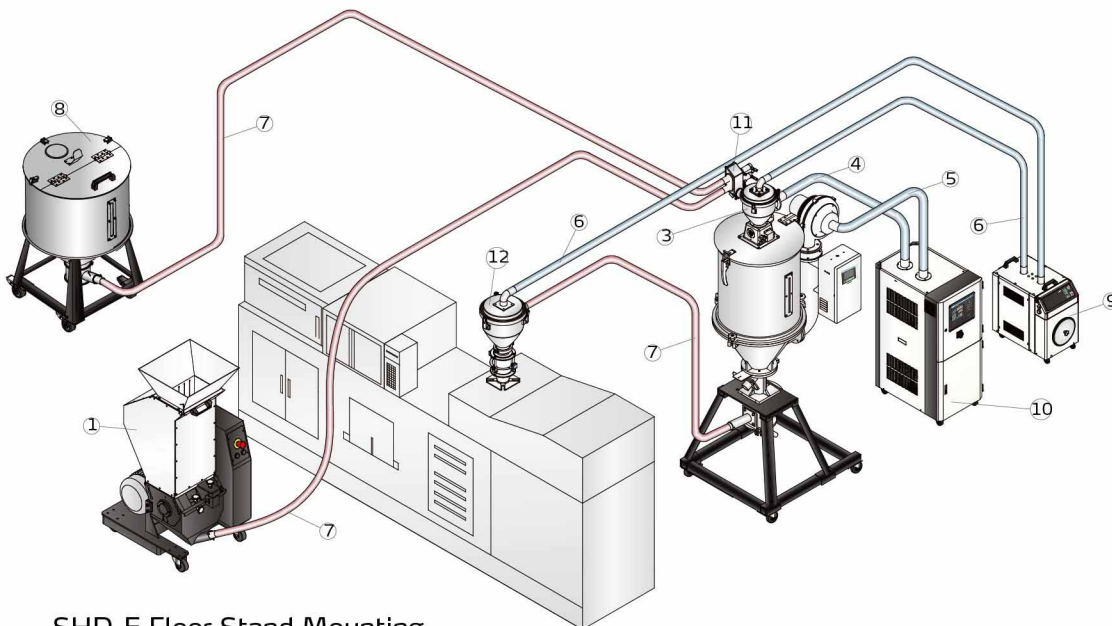
## Application

SHD hopper dryers are used for drying hygroscopic plastics, such as PS, PP, and ABS etc., which can reach the highest drying temperature up to 160°C. In addition, multiple accessories are optional to realize different functions, such as recycling hot air and filtering metal impurities in the materials. With the floor stand, it makes floor mount of the machine available.



SHD-E Direct Mounting

- 1.Low-speed granulator
- 2.30-sec instant recycle
- 3.Vacuum hopper receiver
- 4.Return air
- 5.Dehumidifying air
- 6.Vacuum pipe
- 7.Material pipe
- 8.Material storage tank
- 9.Auto loader
- 10.Honeycomb dehumidifier
- 11.Proportional valve
- 12.Photosensor hopper receiver



SHD-E Floor Stand Mounting

# SHD-E Series

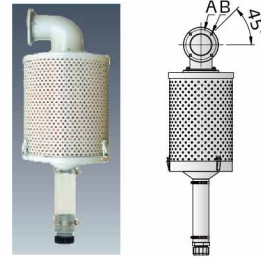
## Options

### Magnetic Base



Model	Applied to	mount size				
		A	B	C	D	R
MB-12EB	SHD-12E	-	-	Ø104	4×Ø9EQS	-
MB-50	SHD-25E-75E	-	-	Ø140	4×Ø9EQS	-
MB-100EB	SHD-100E/150E	Ø213	Ø126	Ø190	4×Ø12EQS	6
MB-200EB	SHD-200E/300E	-	-	Ø255	4×Ø14EQS	-
MB-400EB	SHD-400E/500E	-	-	Ø255	4×Ø16EQS	-
MB-600EB	SHD-600E	-	-	Ø255	4×Ø16EQS	-

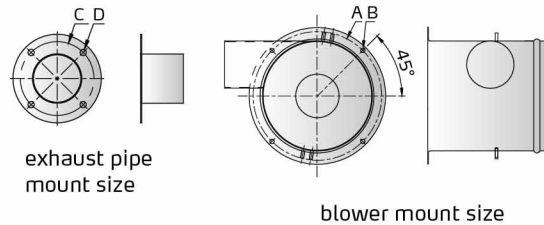
### Air exhaust Filter



It can effectively filter the dust air discharged from the dryer to avoid air contamination, and the efficiency reaches 99%.

Model	Applied to	mount size	
		A	B
ADC-1	SHD-12E	Ø65	4×Ø7EQS
ADC-2	SHD-75E	Ø95	4×Ø6.5EQS
ADC-2EB	SHD-25E-150E	Ø95	4×M6EQS
ADC-3EB	SHD-200E-500E	Ø120	4×M6EQS
ADC-3	SHD-600E	Ø160	4×Ø6.5EQS

### Hot Air Recycler

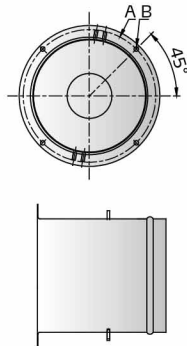


Work with hopper dryer to make the hot air form a semi-closed circulated loop and has features as follows:

- 1) Hot air recycling and circulating avoids indoor temperature rising up.
- 2) Keep air in factory clean and ensure good product quality.
- 3) The energy consumption can be reduced by fast heating speed of the hot air circulation, which saves 40% of the energy.

Model	Filtering Barrel Dia. (mm)	Inlet Air Pipe Dia. (inch)	Flange of Air Outlet (inch)	Applied to	mount size			
					A	B	C	D
HAR-12	157		2	SHD-12E	Ø165	4×Ø7EQS	Ø65	4×Ø7EQS
HAR-25EB	157		2.5	SHD-25E	Ø207	4×Ø6EQS	Ø95	4×Ø7.5EQS
HAR-50	177		3	SHD-50E/75E	Ø207	4×Ø7EQS	Ø95	4×Ø7.5EQS
HAR-100EB	219		3	SHD-100E/150E	Ø207	4×Ø7EQS	Ø95	4×Ø7.5EQS
HAR-200EB	249		4	SHD-200E/300E	Ø255	6×Ø6EQS	Ø120	4×Ø8EQS
HAR-400EB	221		4	SHD-400E/500E	Ø255	6×Ø7EQS	Ø120	4×Ø8EQS
HAR-600EB	221		4	SHD-600E	Ø292	6×Ø7EQS	Ø160	4×Ø8EQS

### Blower Inlet Filter



Model	Filtering Barrel Dia. (mm)	Overall height (mm)	Applied to	mount size	
				A	B
AIF-12	157/6.2"	195/7.7"	SHD-12E	Ø165	4×Ø7EQS
AIF-25EB	157/6.2"	195/7.7"	SHD-25E	Ø207	4×Ø6EQS
AIF-50	177/7.0"	201/7.9"	SHD-50E/75E	Ø207	4×Ø7EQS
AIF-100EB	219/8.6"	191/7.5"	SHD-100E/150E	Ø207	4×Ø7EQS
AIF-200EB	249/9.8"	268/10.6"	SHD-200E/300E	Ø255	6×Ø6EQS
AIF-400EB	221/9.0"	380/15.0"	SHD-400E/500E	Ø255	6×Ø7EQS
AIF-600EB	221/9.0"	380/15.0"	SHD-600E	Ø292	6×Ø7EQS

Notes: refill air input of the blower is adjustable.

### Hopper Magnet



Model	Applied to	Aluminum Holder×2(mm)
MR-5	SHD-12E	(148×80×2.3)
MR-7	SHD-25E\50E\75E	(190×80×2.3)
MR-9	SHD-100E\150E\200E\300E\400E\500E	(240×80×2.3)
MR-11	SHD-600E	(290×80×2.3)

### Material Suction Box/Shut-off Suction Box



Model	Applied to	SHD-12E-75E	SHD-100E-400E
SBU		-20-38S	-160-38S
SBU		-20-50S	-160-50S
SBU		-20-38S	-160-38D
SBU		-20-50S	-160-50D

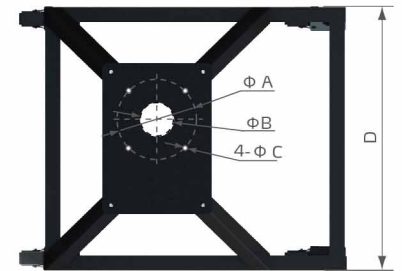
- Notes: 1) Install pneumatic shut off valve (add "V" at the end of the model code).  
 2) Change into stainless steel material (add "S" at the end of the model code).  
 3) Stainless steel polishing (add "P" at the end of the model code).  
 4) "S" stands for single tube suction box and "D" stands for double tubes suction box.  
 5) It needs to work with the floor stand.



# SHD-E Series

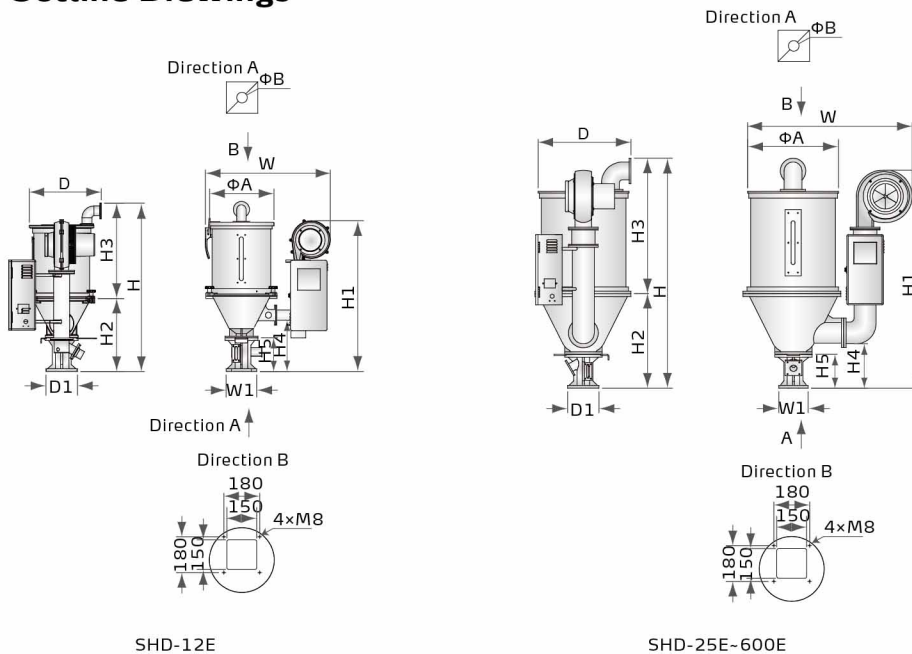
## N-Type Floor Stand

With which machines can be easily moved out of workplace which is suitable for the factories with height limited workshops and also it can make operations more convenient. The N-type floor stand can replace any machine that is applicable to the SHD-E series.



Model	Applied to	Dimension H×W×D(mm/inch)	A / B / C (mm/inch)
FSN-50	SHD-12E-75E	600×700×640 / 23.6×27.6×25	140 / 54 / 9 5.5 / 2.1 / 0.4
FSN-100	SHD-100E/150E	615×800×710 / 24.2×31.5×28	210 / 90 / 11 8.3 / 3.5 / 0.43
FSN-200	SHD-200E/300E	680×1000×840 / 26.8×39.4×33	210 / 90 / 11 8.3 / 3.5 / 0.43
FSN-400	SHD-400E-600E	700×1200×1010 / 27.6×47.2×39.8	260 / 116 / 13 10.2 / 4.6 / 0.5

## Outline Drawings





## ■ Specifications

Model SHD-	12E	25E	50E	75E	100E	150E	200E	300E	400E	500E	600E
Drying heater (kW)	2.2/3*	3/3.3*	3.9/4.2*	4.2/4.8*	6/6.6*	6.6/7.2*	8.4/9.6*	9.6	18	19.2	21
Blower(kW)	0.1	0.17	0.17	0.17	0.2	0.2	0.35	0.35	0.45	0.45	1.03
Loading Capacity(kg)	12	25	50	75	100	150	200	300	400	500	600
H (mm)	825	1015	1145	1248	1330	1650	1730	2180	1940	2480	2170
H1 (mm)	810	925	1045	937	1360	1360	1590	1590	1760	1760	2082
H2 (mm)	325	410	380	463	535	535	635	635	710	710	815
H3 (mm)	380	460	520	785	650	970	920	1370	1040	1040	1335
H4 (mm)	160	194	206	213	313	313	338	338	435	435	344
H5 (mm)	110	150	150	150	175	175	195	195	205	205	245
W (mm)	670	725	840	840	1020	1020	1210	1210	1400	1400	1568
D (mm)	350	405	490	554	640	640	780	780	920	920	1050
D1 (mm)	110	158	158	158	180	180	230	230	280	280	280
W1(mm)	110	148	148	148	180	180	230	230	280	280	280
ΦA (mm)	330	385	470	535	600	600	750	750	910	910	1050
ΦB (mm)	45	74	74	74	85	85	110	110	120	120	135
Weight(kg)	25	28	31	38	49	52	70	84	115	115	130

Notes 1) Above loading capacity is based on particles of 0.65kg/L(5.5lb/gal) bulk density in diameter of 3-5mm (0.1-0.2 inch).  
 2) "\*"High-temp. model option up to max. 180°C.  
 3)Power: 3Φ, 400VAC, 50HZ.

We reserve the right to change specifications without prior notice.

## Shini Group

Addr: No. 23, Minhe St., Shulin Dist.,  
New Taipei, Taiwan

Tel: +886 2 2680 9119

Fax: +886 2 2680 9229

Email: [shini@shini.com](mailto:shini@shini.com)

### Factories:

- Taiwan
- Dongguan
- Pinghu
- Ningbo
- Chongqing
- Pune

2021-09-30-04 Copyrights Reserved.

[www.shini.com](http://www.shini.com)