

# Accessories

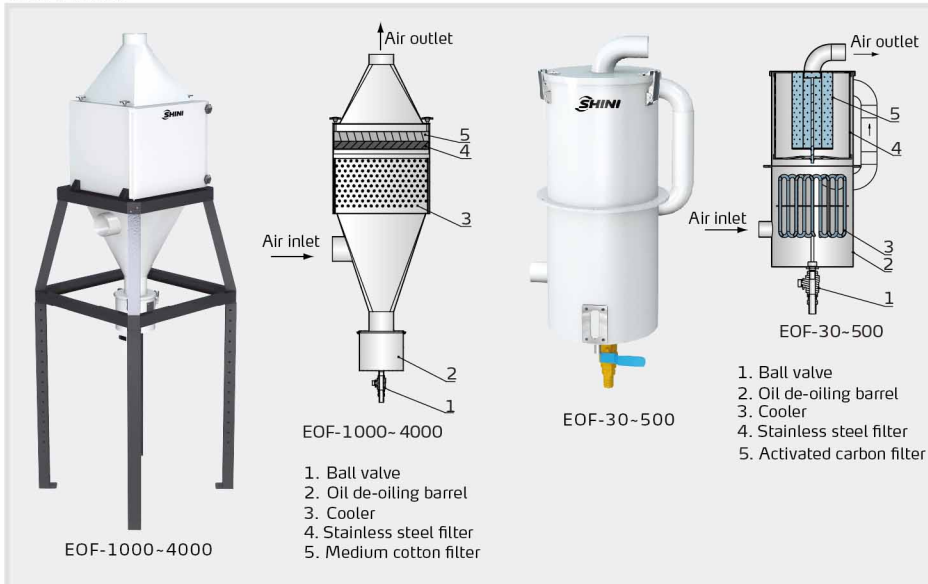
## Dew-point Monitor (portable)



Models with optional portable dew-point monitor is convenient to test dew-point temperature of different machines.

Function	Specification
Display	Digital and Real-time Curve Display supports English\Chinese\Japanese\Korean version.
Range	-50.....+50°C td
	Pressure -0.1.....1.5MPa td
	Temperature -30.....+50°C
Accuracy	Dew point ±2°C td@-50°C td
	Pressure ±0.005MPa
	Temperature ±0.3°C
	Condition temp.: 23°C±3°C Humidity: <90% no condensation
Other Units	g/m <sup>3</sup> ,mg/m <sup>3</sup> ,ppmv,g/kg
Data Record	Memory space 4G, data can be exported by memory card
	Number of files ≤512 files
	Medium SD card

## Oil Filter



Oil filter is optional to filter the oil substance in return air for honeycomb protection.

Model	Applied to
EOF-30	SD-40H~120H
EOF-150	SD-150H / 200H
EOF-300	SD-300H / 400H
EOF-500	SD-700H
EOF-1000	SD-1000H
EOF-2000	SD-1500H/2000H
EOF-3000	SD-3000H
EOF-4000	SD-4000H

### High Efficiency Particulate Absorbing Filter HEPA(0.3µm)

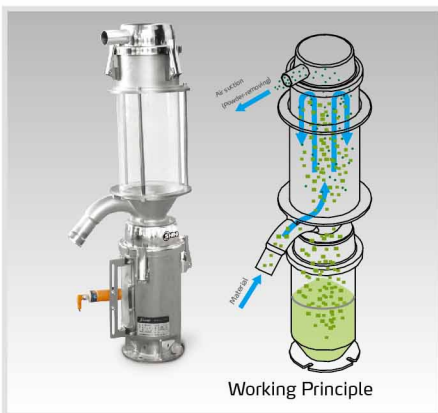


### Optical Material Tank (3µm)



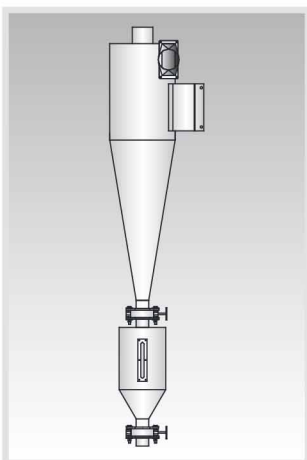
For optical model, These two devices are optional to ensure no material contamination.

### Optical Powder-removing Hopper

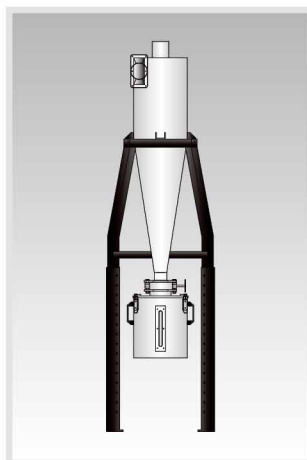


Optical SCD-OP series together with powder- removing hopper which can help avoid stain in the production; material contact surfaces are all mirror polished. (Only applicable to SCD-20U/30H-OP~SCD-120U/80H-OP)

### Cyclone Dust Collector



ACF-5"-12"



ACF-3"-4"

Cyclone dust collector is used to collect the dust in return air.

Model	Applied to
ACF-3"	SD-300H / 400H
ACF-4"	SD-700H
ACF-5"	SD-1000H
ACF-8"	SD-1500H/2000H/3000H
ACF-12"	SD-4000H