



Swing-arm Robot

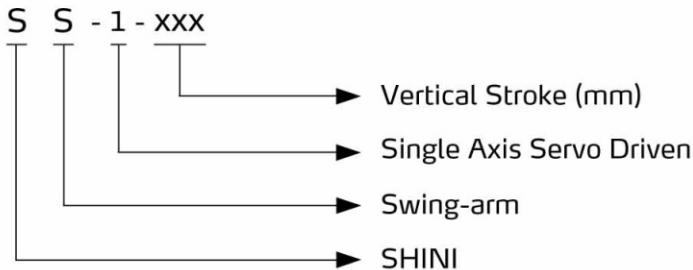
SS1-550



Refer carefully to this manual before operation.

SS1 Series

■ Coding Principle



■ Features

● Appearance

Designed with elegant appearance; Aluminium profiles are widely used to provide compact and streamlined appearance.

● Precision

Arm vertical movement is driven by servo motor which is rapid, low-noise, precise and even runs more stable.

● Base Mechanism

Fast mold changing design provides simple method for changing molds. The base is rotatable for 90° by releasing the handle.

● Control System

3.2 inch true color LCD and graphical user interface automatically monitor and real time monitoring. Display error messages, easy to operate and ensure the use of safety. Extra extend I/O ports are available for other application. Teach program and setup cycle movements, provide plug and use without modify control system. Flexible and dialogic programming scheme offer 10 standard programs and 18 customized programs.



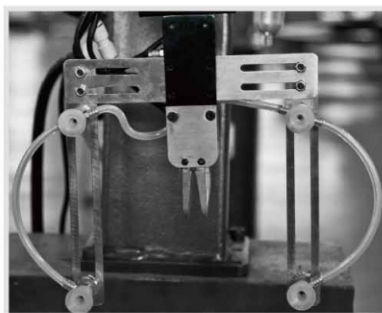
■ Application

The SS1 series robot is designed for rapid and precise removal of sprue and runner from injection molding machine, and place them into granulator for recycling. Simple product removal is applicable with optional vacuum generator and EOAT. Suitable for injection molding machine under 250T clamp force.

■ Options



Middle Mold Detector

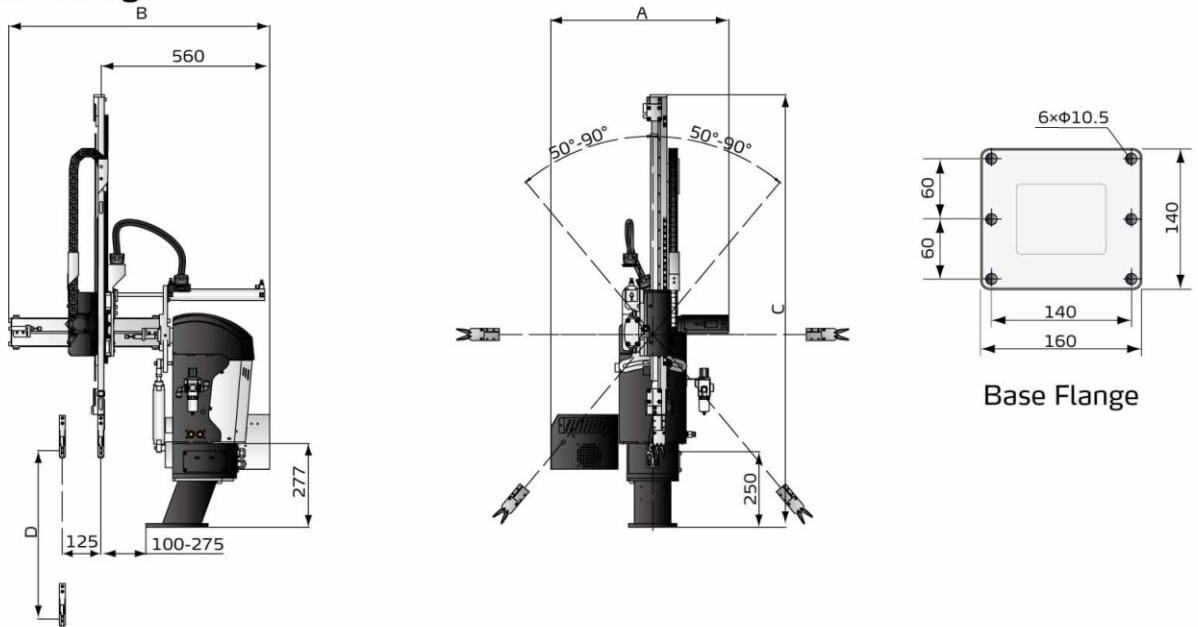


Vacuum Device



Rotate Wrist

Outline Drawings



Specifications

Model	SS1-550	SS1-650	SS1-750	
IMM (ton)	50~100	100~200	150~250	
Crosswise Stroke (mm)	0~125	0~125	0~125	
Vertical Stroke (mm)	0~550	0~650	0~750	
Max. Load (with tool) (kg)	0.5	0.5	0.5	
Min Pick-out Time (sec)	0.7	0.8	0.9	
Min Cycle Time (sec)	3	3.1	3.2	
Air Pressure (bar)	4~6	4~6	4~6	
Max Air Consumption (Nl/cycle) *	7	7	7	
Weight (kg)	80	85	90	
Dimensions (mm)	A	590	590	590
	B	850	850	850
	C	1430	1530	1630
	D	550	650	750

Notes: 1). "V" stands for vacuum device.

"M" stands for middle mold detector. (Suitable for three-plate mold.)

"R" stands for claw rotating group

"EM12" stands for EUROMAP 12 communication interface.

"EM67" stands for EUROMAP 67 communication interface.

"N" stands for non-operation side, operation side without "N"

2). Power supply requirement: 1Φ, 100~240V, 50/60Hz.

3). " * " Max air consumption for vacuum device 30Nl/min.

We reserve the right to change specifications without prior notice.

Shini Group

Addr: No. 23, Minhe St., Shulin Dist.,
New Taipei, Taiwan

Tel: +886 2 2680 9119

Fax: +886 2 2680 9229

Email: shini@shini.com

Factories:

- Taiwan
- Dongguan
- Pinghu
- Ningbo
- Chongqing
- Pune

2016-04-15-04 Copyrights Reserved.

www.shini.com