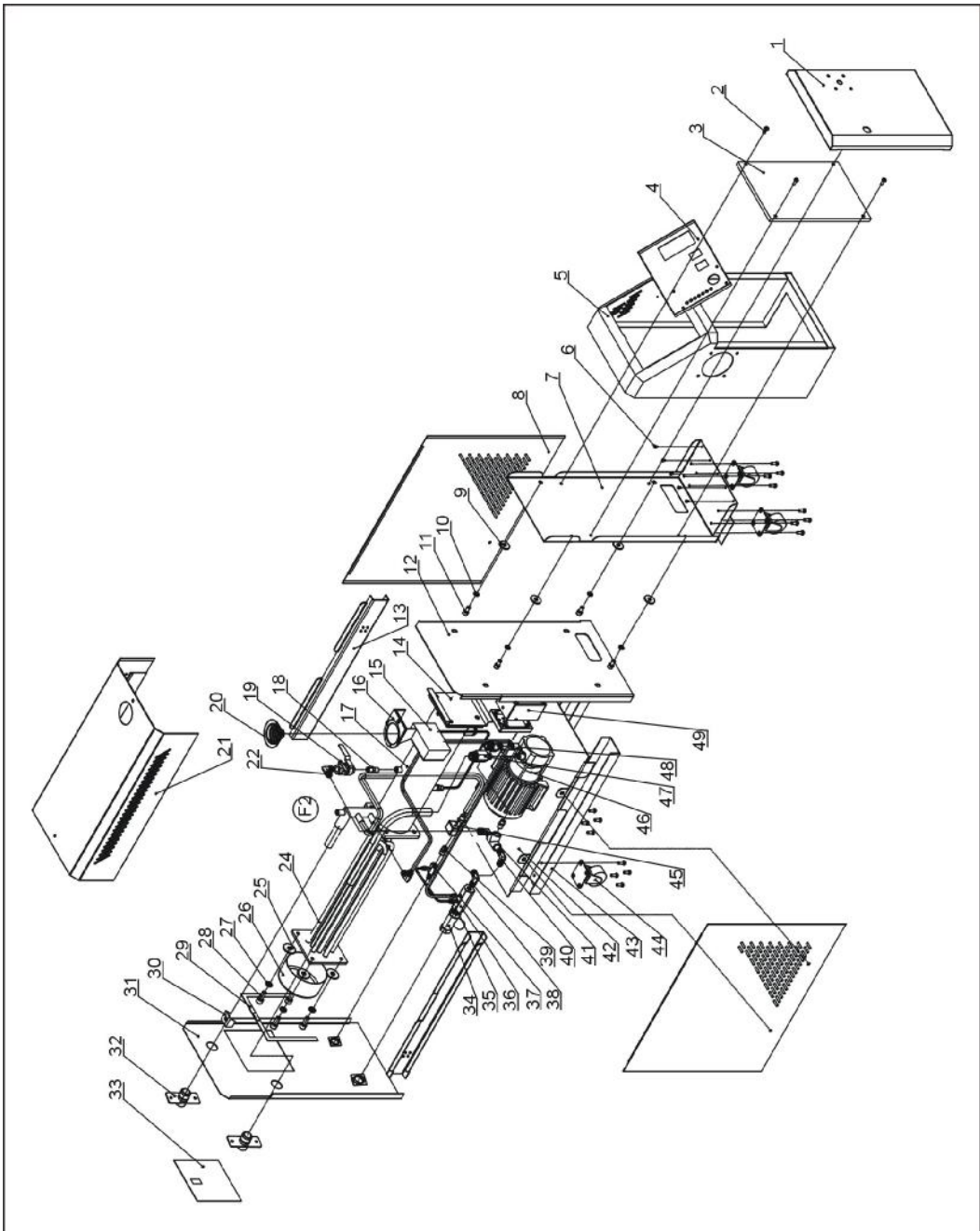


2.3 Assembly Drawing

2.3.1 Assembly Drawing (STM-607MW)



Remarks: Please refer to material list 2.2.2 for specific explanation of the Arabic numbers in parts drawing.

Picture 2-2: Assembly Drawing (STM-607MW)

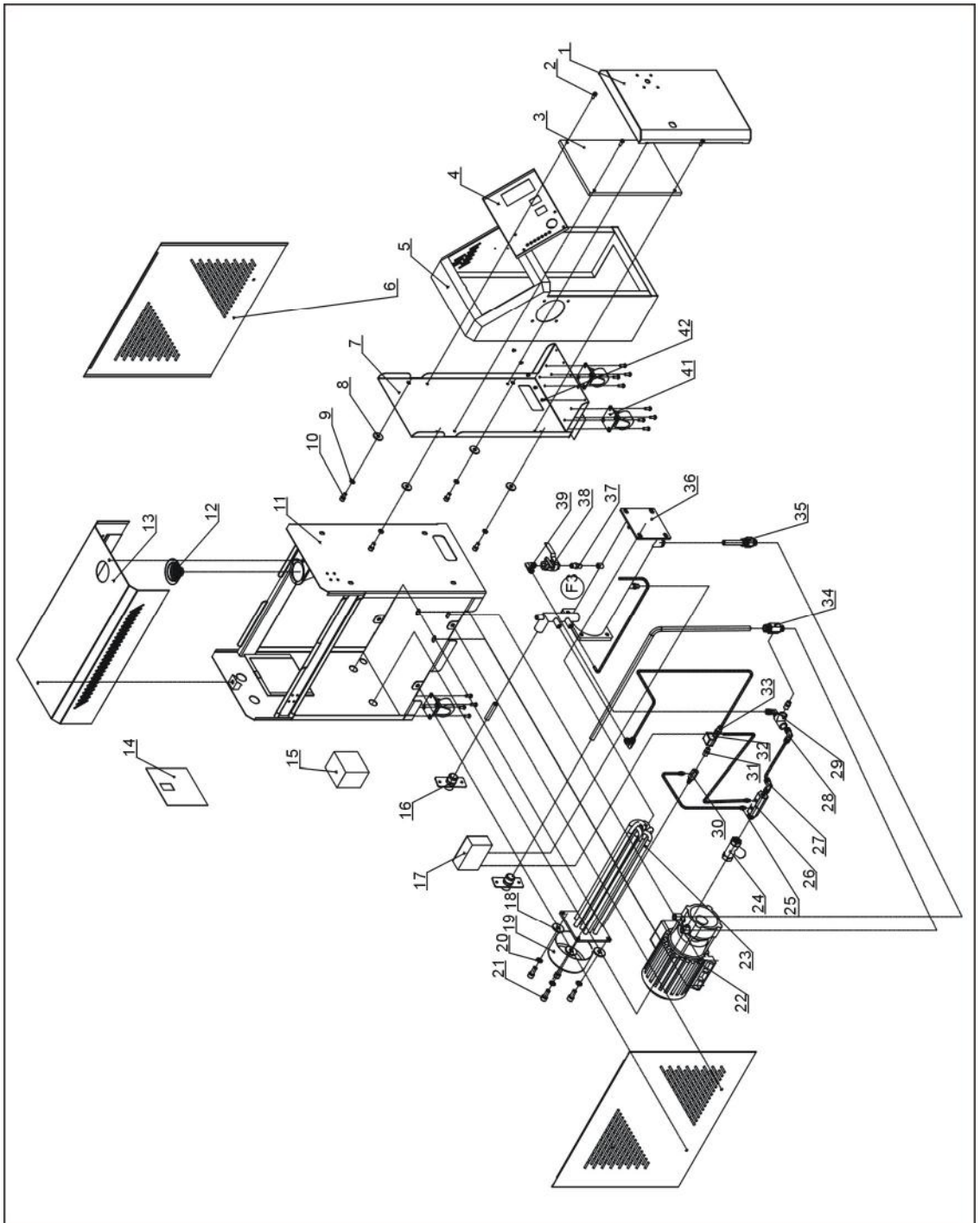
2.3.2 Parts List (STM-607MW)

Table 2-1: Parts List (STM-607MW)

No.	Name	Part No.	No.	Name	Part No.
1	Door plank	-	25	Flat washer 10	YW66102500000
2	Flat head screw M6×17	YW63061700000	26	Heater casing	BL80091000120
3	Base plate of the cabinet	-	27	Spring washer 10	YW65010000000
4	Operation panel	-	28	Hexagon socket head cap screws M10×20	YW61102500000
5	Electrical cabinet	-	29	Supporting plate of the cover plate on the back plate	-
6	Thick head screw M4×5	YW62040600000	30	Water flow regulator contactor	-
7	Back plate of the cabinet	-	31	Back plate	-
8	Side plate	-	32	Tip plate	-
9	Flat washer 8	YW66082200100	33	Cover plate on the back plate	-
10	Spring washer 8	YW65008000200	34	Filter valve	YW57010200000
11	Hexagon socket head cap screw M8×20	YW61082000200	35	Copper Teflon contactor 1/4PT×1/4H	BH12010400410
12	Clapboard	-	36	Copper contactor 1	-
13	Beam	-	37	Copper contactor 3	-
14	Supporting plate of the heating tank	-	38	Copper Teflon contactor 3/8PT×3/8H(L type)	BH12030800610
15	High and low pressure switch	YE90832500000	39	Copper pipe coupler 3/8"PT	BH12030800110
16	Supporting plate of pressure gauge	-	40	Copper teflon contactor 1/4PT×3/8H(L type)	BH12010400510
17	Heating tank	-	41	1/4" stainless steel made T joint	YW52010400000
18	Pipe coupler 1/4"	BH12010400110	42	Base plate	-
19	Globe valve 1/4"	YY60001430000	43	Stiffener	-
20	Pressure gauge	YW85001000100	44	Caster 2"	YW03000200000
21	Cover plate	-	45	Solenoid valve	YE32331000000
22	Teflon contactor 1/4PT×1/4H(L type)	YW04010400400	46	Pump MP-55	BM20005500050
23	-	-	47	Copper Teflon contactor 3/4H×1/2PT×1/4 mesoporous	BH12030400810
24	Heater 6kW	BH70060700250			

* means possible broken parts. ** means easy broken part. and spare backup is suggested. Please confirm the version of manual before placing the purchase order to guarantee that the item number of the spare part is in accordance with the real object.

2.3.3 Assembly Drawing (STM-910MW)



Remarks: Please refer to material list 2.2.4 for specific explanation of the Arabic numbers in parts drawing.

Picture 2-3: Assembly Drawing (STM-910MW)

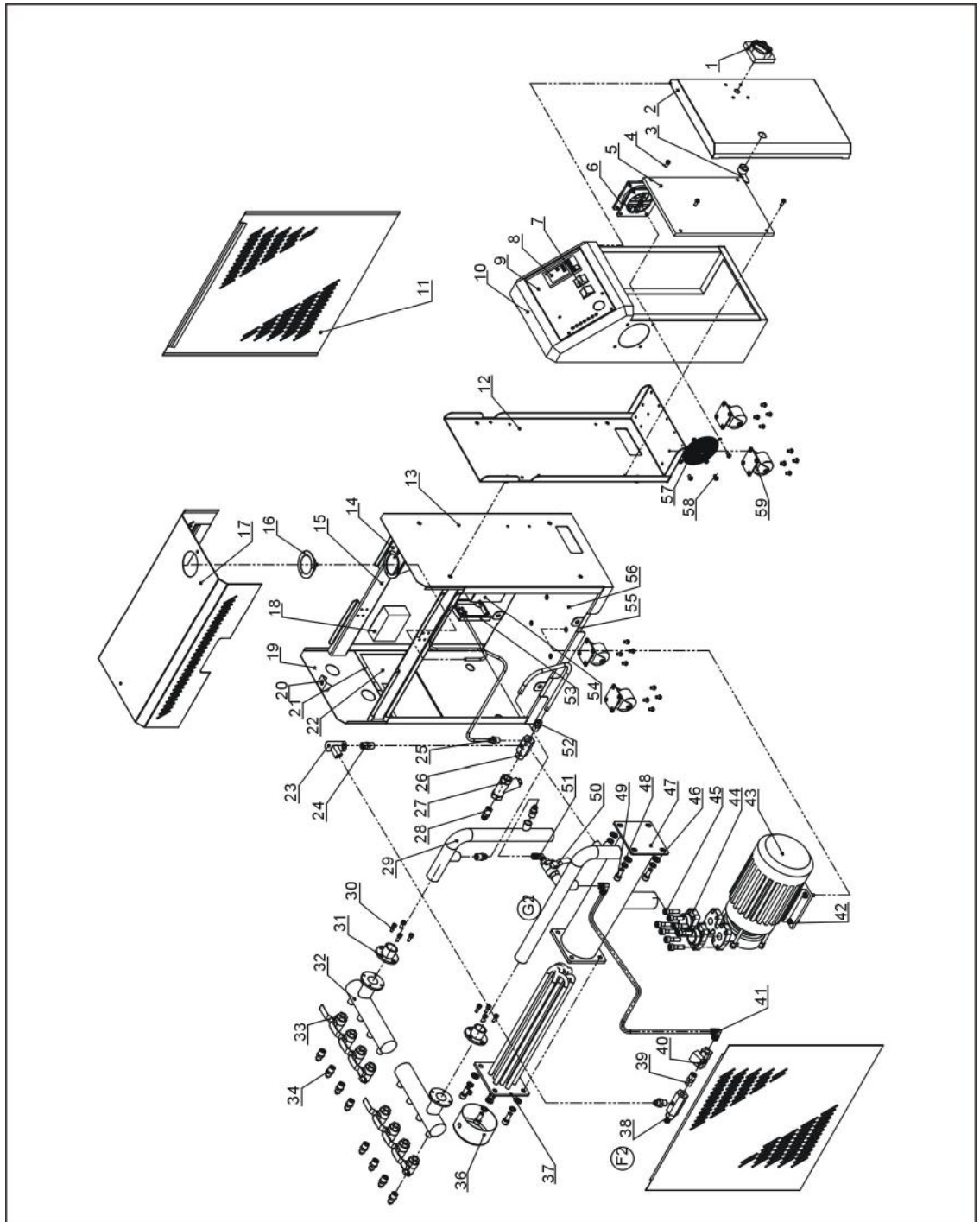
2.3.4 Parts List (STM-910MW)

Table 2-2: Parts List (STM-910MW)

No.	Name	Part No.	No.	Name	Part No.
1	Door plate	-	22	Pump MP-100	BM20123400000
2	Flat head screw M6×17	YW63061700000	23	Heater 9kW	BH70091000250
3	Base plate of the cabinet	-	24	Y type filter valve	YW57010200000
4	Operation panel	-	25	Copper Teflon contactor 1/4H×1/4PT	BH12010400410
5	Electrical cabinet	-	26	Copper contactor 1	-
6	Side plate	-	27	Copper Teflon contactor 3/8PT×3/8H(L type)	BH12030800610
7	Back plate of the electrical cabinet	-	28	Copper Teflon contactor 3/8PT×1/4H(L type)	BH12010400510
8	Flat washer 8	YW66082200100	29	1/4" stainless steel made T joint	YW52010400000
9	Spring washer 8	YW65008000200	30	Copper contactor 3	-
10	Hexgon socket head cap screw M8×20	YW61082000200	31	Copper pipe coupler 3/8"PT	BH12030800110
11	Rack assembly	-	32	Solenoid valve	YE32331000000
12	Pressure gauge	YW85001000100	33	Copper Teflon male elbow 3/8PT×3/8H	BH12030800610
13	Cover plate	-	34	Copper contactor (3/4PT×3/4H×1/4 中孔)	BH12030400610
14	Cover plate on the back plate	-	35	Copper Teflon contactor 3/4PT×3/4H	BH12030400310
15	EGO	YR40000400300	36	Heating tank	-
16	Water flow regulator contactor	-	37	1/4" pipe coupler	BH12010400110
17	High and low pressure switch	YE90832500000	38	Globe valve 1/4"	YY60001430000
18	Flat washer 10	YW66102500000	39	Copper Teflon contactor 1/4H×1/4PT(L type)	YW04010400400
19	Heater casing	BL80091000120	40	-	-
20	Spring washer 10	YW65010000000	41	Caster 2"	YW03000200000
21	Hexgon socket head cap screw M10×20	YW61102500000	42	Thick head screw M4×5	YW62040600000

* means possible broken parts. ** means easy broken part. and spare backup is suggested. Please confirm the version of manual before placing the purchase order to guarantee that the item number of the spare part is in accordance with the real object.

2.3.5 Assembly Drawing (STM-1220MW)



Remarks: Please refer to material list 2.2.6 for specific explanation of the Arabic numbers in parts drawing.

Picture 2-4: Assembly Drawing (STM-1220MW)

2.3.6 Parts List (STM-1220W)

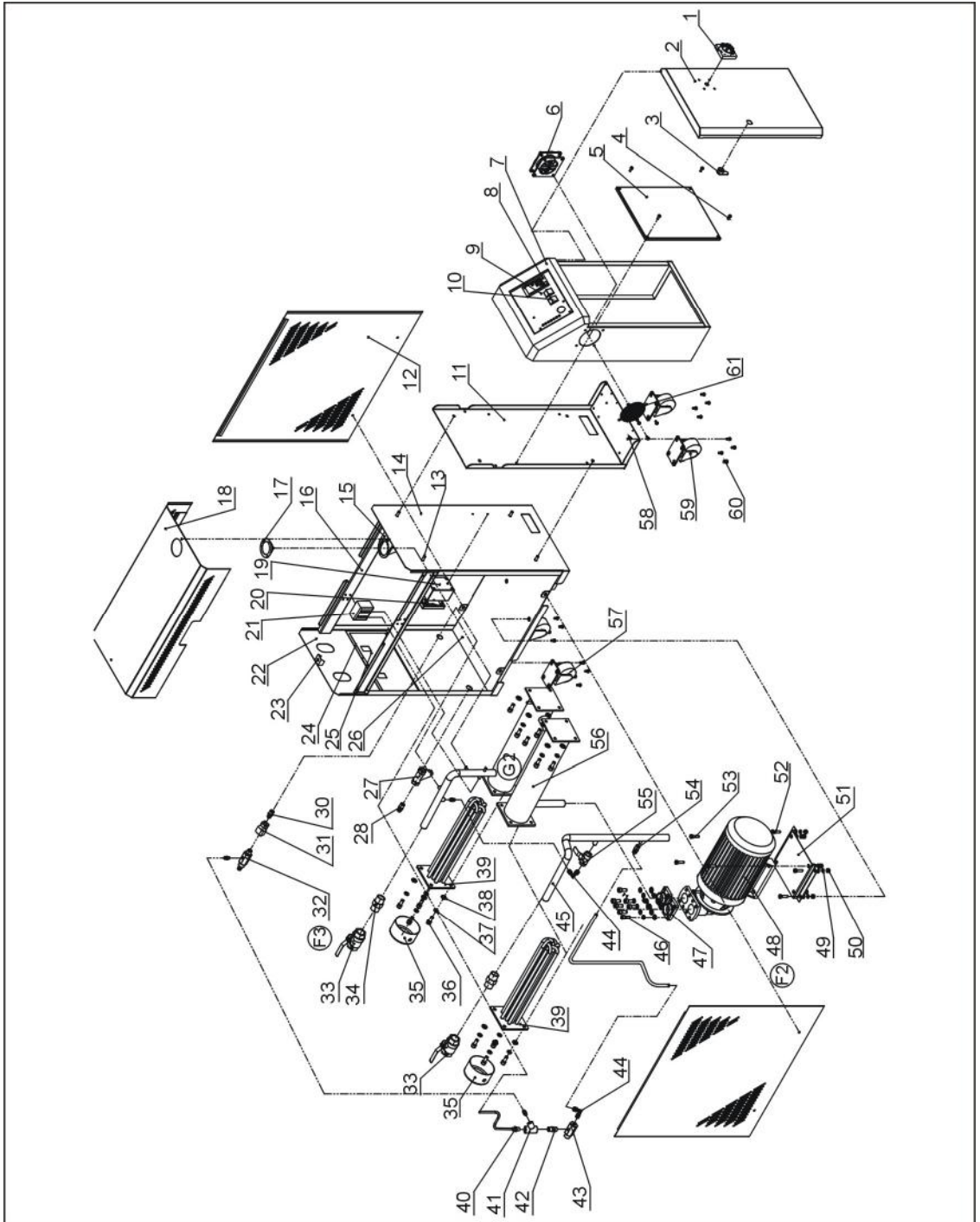
Table 2-3: Parts List (STM-1220W)

No.	Name	Part No.	No.	Name	Part No.
1	Mian power switch	YE10010000000	30	Socket head cap screw M6×15	YW61061600200
2	Door plate	-	31	Water flow regulator contactor	-
3	Door lock	YW00000000100	32	Water flow regulator	-
4	Flat head screw M6×15	YW62061500000	33	Stainless steel globe valve 3/8"	YE32215400000
5	Base plate of the electrical cabinet	-	34	Teflon pipe contactor 3/8PT×3/8H	BH12030800610
6	Fin	YM60922500100	35	-	-
7	White trigger	YE10210400000	36	Heater casing	BL80091000120
8	Temperature controller	YE85005000000	37	Heaters	BH70122000150
9	Operation panel	-	38	Copper contactor 3	-
10	Electrical cabinet	-	39	Pipe coupler 3/8"	BH12030800110
11	Side plate	-	40	Solenoid valve	YE32331000000
12	Back plate of electrical cabinet	-	41	Teflon pipe contactor 3/8PT×3/8H(L type)	YW04030800300
13	Clapboard	-	42	Hex head screw M10×25	YW60102000100
14	Pressure gauge mounting plate	-	43	Pump MP-100	BM20123400000
15	Pressure gauge	YW85001000100	44	Pump flange	-
16	Beam	-	45	Socket head cap screw M10×25	YW61102500000
17	Cover plate	-	46	Flat washer D10	YW66102500000
18	High and low pressure switch	YE90832500000	47	Heater	-
19	Back plate	-	48	Spring washer D10	YW65010000000
20	Tip palte	-	49	Socket head cap screw M10×30	YW61103000100
21	Supporting plate of the cover plate on the back plate	-	50	Globe valve 1/2"	YW50010200100
22	Cover plate on the back plate	-	51	Copper Teflon contactor 1/2H×1/2PT(L type)	YW04121200000
23	T joint 1/4"	-	52	Teflon pipe contactor 1/2PT×1/2H	BH12010200210
24	Pipe coupler 1/4"	BH12010400110	53	EGO 1	YR40000400300
25	Teflon pipe contactor 1/4PT×1/4H	BH12010400410	54	EGO 2	YR40000400300
26	Copper contactor9	-	55	Stiffener 1	-
27	Filter valve	YW57010200000	56	Base plate	-
28	Inserted core 3/8" ×M13	BH12030801110	57	Fan shell	YM60922500100
29	Inlet pipe of the pump	-	58	Falt head screw M6×10	YW62061000000

No.	Name	Part No.	No.	Name	Part No.
59	Caster 2"	YW03000200000			

* means possible broken parts. ** means easy broken part. and spare backup is suggested. Please confirm the version of manual before placing the purchase order to guarantee that the item number of the spare part is in accordance with the real object.

2.3.7 Assembly Drawing (STM-2440MW)



Remarks: Please refer to material list 2.2.8 for specific explanation of the Arabic numbers in parts drawing.

Picture 2-5: Assembly Drawing (STM-2440MW)

2.3.8 Parts List (STM-2440MW)

Table 2-4: Parts List (STM-2440MW)

No.	Name	Part No.	No.	Name	Part No.
1	Main power switch	YE10010000000	27	Filter valve	YW57010200000
2	Door plate	-	28	Copper inserted core	BH12030801110
3	Door lock	YW00000000100	29	-	-
4	Flat head screw M6×15	YW62061500000	30	Teflon contactor3/8PT×3/8H	BH12030800610
5	Base plate of electrical cabinet	-	31	Solenoid valve	YE32331000000
6	Fan	YM60922500100	32	Copper contactor 3	-
7	Electrical cabinet	-	33	Stainless steel globe valve 1"	YW50010000200
8	Temperature controller	YE85005000000	34	Stainless steel inner joint 1"	YW55001000000
9	Operation panel	-	35	Heater casing	BL80091000120
10	White trigger	YE10210400000	36	Socket head cap screw M10×25	YW61102500000
11	Back plate of the electrical cabinet	-	37	Spring washer D10	YW65010000000
12	Side plate	-	38	Flat washer D10	YW66102500000
13	Socket head cap screw M8×15	YW60081600100	39	Heaters	BH70244000150
14	Clapboard	-	40	Teflon pipe contactor 1/4PT×1/4H	BH12010400410
15	Mouning palte of pressure switch	-	41	T connection 1/4"	YW52010400000
16	Beam	-	42	Pipe coupler 1/4"	BH12010400110
17	Pressure gauge	YW85001000100	43	Copper contactor 9	-
18	Cover plate	-	44	Teflon contactor 1/2PT×1/2H(L type)	YW04121230000
19	EGO base	YR40000400300	45	Return water pipe	-
20	EGO	YR40000400300	46	Socket head cap screw M10×25	YW61103500000
21	High and low pressure switch	YE90832500000	47	Pump flange	-
22	Back plate	-	48	Pump MP-280	BM20283300050
23	Tip palte	-	49	Flat washer D8	YW66081600000
24	Supporting plate of the back plate	-	50	Hex nut M8	YW64080600000
25	Cover palte of the back palte	-	51	Fixing plate of pump	-
26	Base palte	-	52	Hex head screw M8×20	YW60082000200

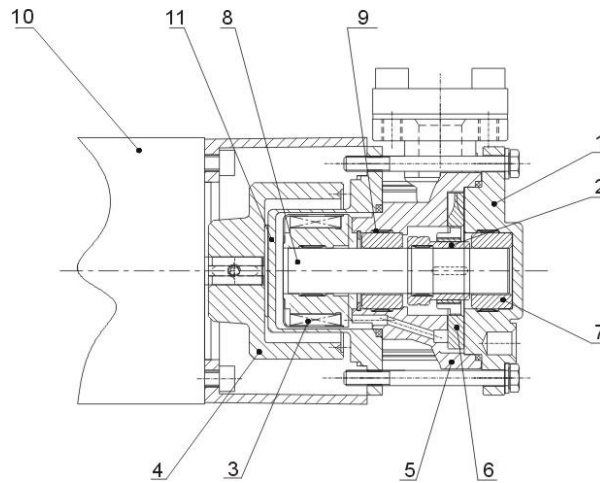
No.	Name	Part No.	No.	Name	Part No.
53	Hex head screw M8×30	YW60083000100	58	Flat head screw M6×10	YW63061000000
54	Teflon pipe contactor 1/2PT×1/2H	BH12010200210	59	Movable caster 3"	YW03000300200
55	Copper globe valve 1/2"	YW50010200100	60	Hex head screw M6×10	YW60061000000
56	Heating tank	-	61	Fan shell	YM60922500100
57	Bracking caster 3"	YW03000300000			

* means possible broken parts.

** means easy broken part. and spare backup is suggested.

Please confirm the version of manual before placing the purchase order to guarantee that the item number of the spare part is in accordance with the real object.

2.3.9 Pump



Part Name:

- | | | |
|------------------------------|------------------------|------------------------------|
| 1. Pump Cover | 2. Shaft Sleeve | 3. Internal Magnetic Coupler |
| 4. External Magnetic Coupler | 5. Pump Body | |
| 6. Impeller | 7. Carborundum Bearing | 8. Ceramic Rod |
| 9. Fastener | 10. Motor | 11. Magnetic Cover |

Picture 2-6: Pump