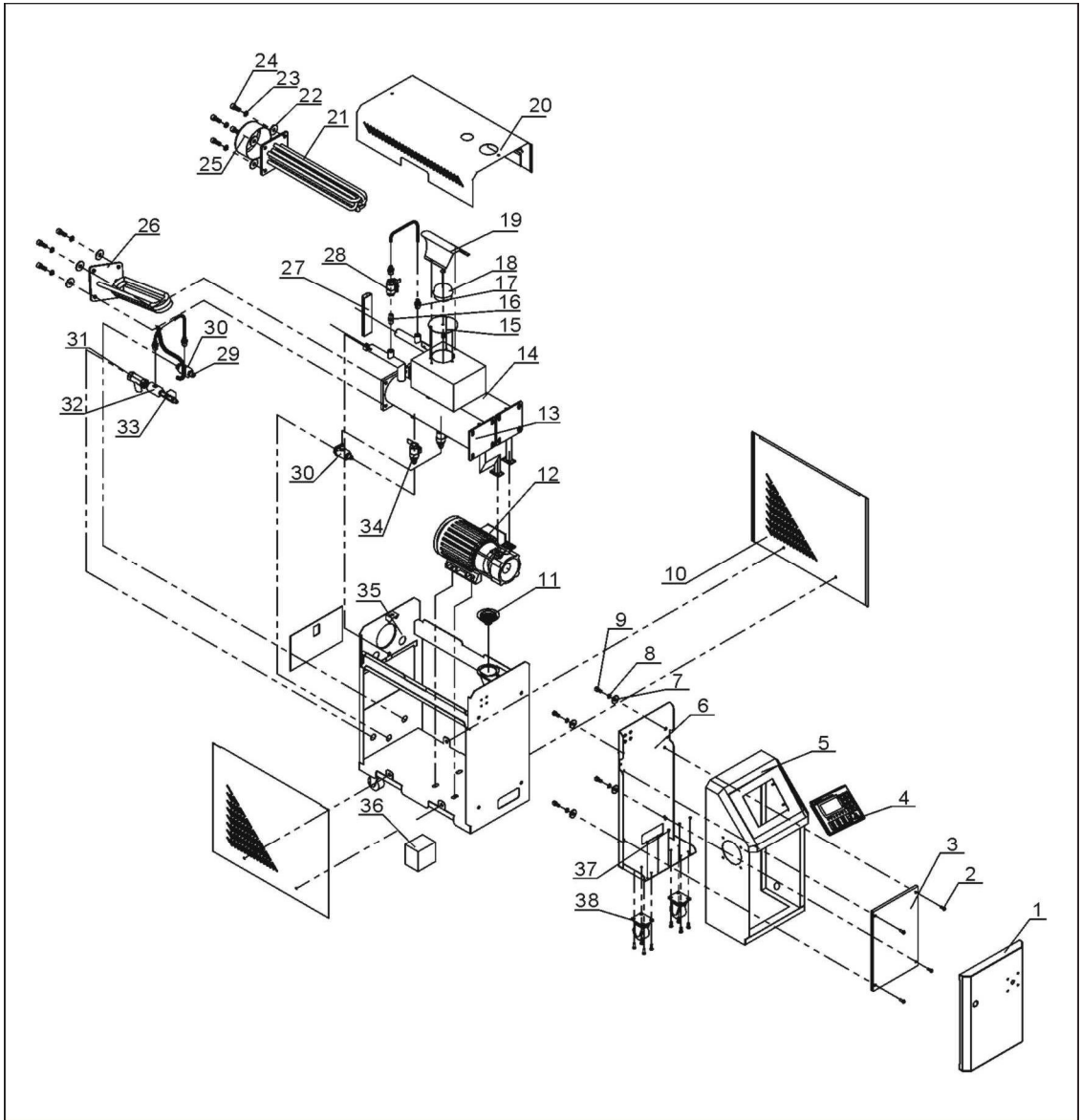


2.2 Assembly Drawing

2.2.1 Assembly Drawing (STM-907/1215-HT)



Remarks: Please refer to material list 2.2.2 for specific explanation of the Arabic numbers in parts drawing.

Picture 2-2: Assembly Drawing (STM-907/1215-HT)

2.2.2 Parts List (STM-907/1215-HT)

Table 2-1: Parts List (STM-907-HT)

No.	Name	Part No.	No.	Name	Part No.
1	Door plank	-	20	Cover plate	-
2	Flat head screw M6×17	YW63061700000	21	Electric heating pipe (120×120, 9kw)*	BH70091000050
3	Electrical mounting plate	-	22	Flat gasket 10	YW66102500000
4	HANYOUNG controller MT100-01	YE81100010000	23	Elastic gasket 10	YW65010000000
5	electrical control box	-	24	Inner hexagon socket cap screw M10×25	YW61102500000
6	Backboard of electric components cabinet	-	25	Electric heating pipe cover	BL80091000120
7	Flat gasket 8	YW66082200100	26	Cooling pipe	BL43907190020
8	Elastic gasket 8	YW65008000200	27	Liquid level indicator	BH12060700210
9	Inner hexagon socket cap screw M8×20	YW61082000200	28	Copper ball core valve 1/4"	YY60001430000
10	Side plate	-	29	Copper teflon pipe connection 3/8H×3/8PT	BH12030800610
11	Pressure gauge 0~10kg	YW85001000100	30	The second set of copper connection	BH12060702010
12	Magnetic pump MP-55	BM20005500050	31	Y type water strainer	YW57010200000
13	Cooling tank	-	32	Copper connection	-
14	Heating tank	-	33	Solenoid valve *	YE32215400000
15	Cover plate of float ball	-	34	Stainless steel ball valve3/8"(Resist to high temperature of 300 degrees)	YW50030800200
16	Copper pipe coupler 1/4PT×1/4PT	BH12010400110	35	Rear plate	-
17	Copper teflon pipe connection 1/4H×1/4PT	BH12010400410	36	EGO protection box	YR40000400300
18	Float ball	YW09703600000	37	Thick-headed screw M4×5	YW62040600000
19	Switch control cover	-	38	2" castor	YW03000200000

* means possible broken parts.

** means easy broken part. and spare backup is suggested.

Please confirm the version of manual before placing the purchase order to guarantee that the item number of the spare part is in accordance with the real object.

Table 2-2: Parts List (STM-1215-HT)

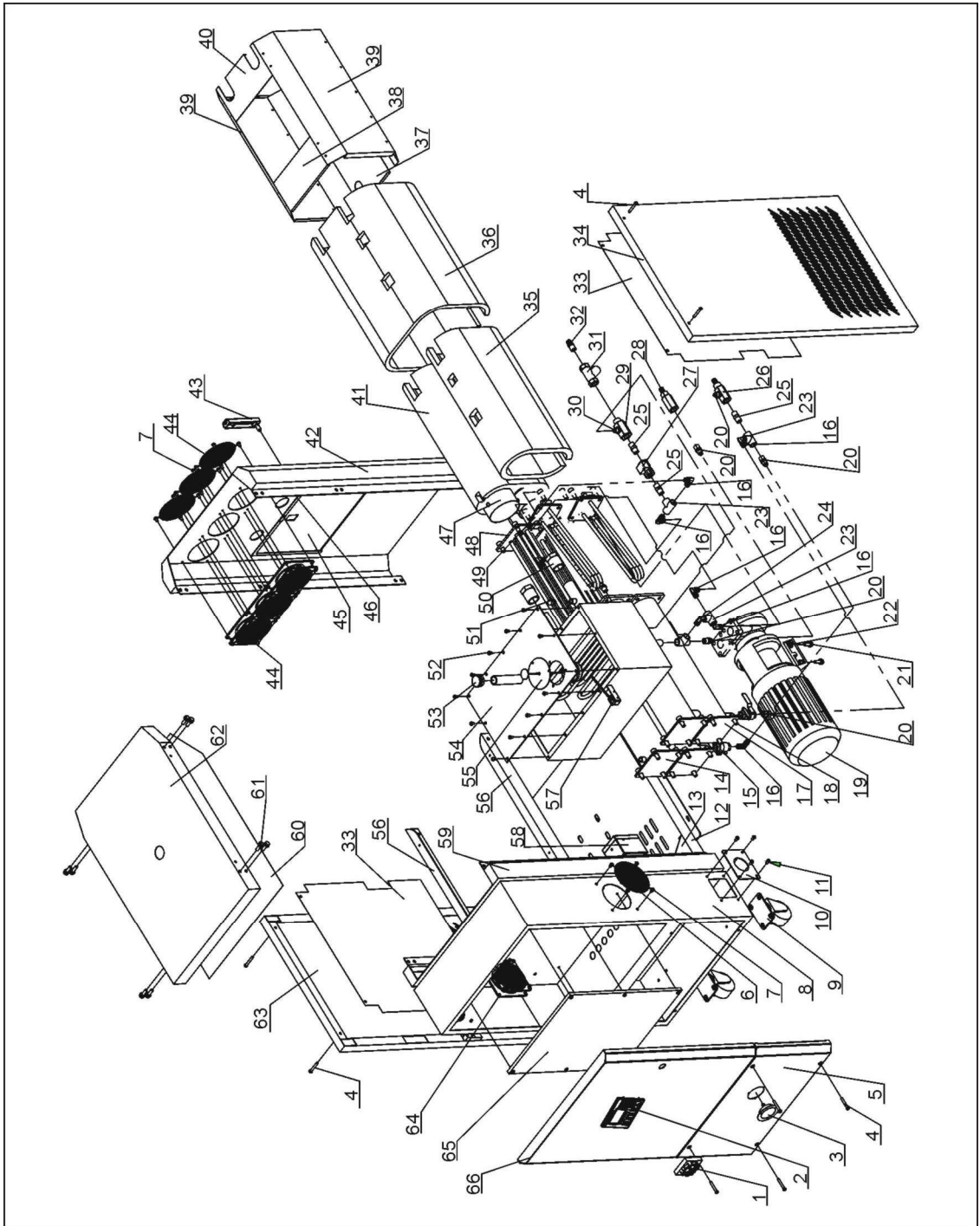
No.	Name	Part No.	No.	Name	Part No.
1	Door plank	-	20	Cover plate	-
2	Flat head screw M6×17	YW63061700000	21	Electric heating pipe (120×120, 12kw)*	BH70122000050
3	Electrical mounting plate	-	22	Flat gasket 10	YW66102500000
4	HANYOUNG controller MT100-01	YE81100010000	23	Elastic gasket 10	YW65010000000
5	electrical control box	-	24	Inner hexagon socket cap screw M10×25	YW61102500000
6	Backboard of electric components cabinet		25	Electric heating pipe cover	BL80091000120
7	Flat gasket 8	YW66082200100	26	Cooling pipe	BL43121500221
8	Elastic gasket 8	YW65008000200	27	Liquid level indicator	BH12060700210
9	Inner hexagon socket cap screw M8×20	YW61082000200	28	Copper ball core valve 1/4"	YY60001430000
10	Side plate	-	29	Copper teflon pipe connection 3/8H×3/8PT	BH12030800610
11	Pressure gauge 0~10kg	YW85001000100	30	The second set of copper connection	BH12060702010
12	Magnetic pump MP-100	BM20123400000	31	Y type water strainer	YW57010200000
13	Cooling tank	-	32	Copper connection	-
14	Heating tank	-	33	Solenoid valve *	YE32215400000
15	Cover plate of float ball		34	Stainless steel ball valve3/8"(Resist to high temperature of 300 degrees)	YW50030800200
16	Copper pipe coupler 1/4PT×1/4PT	BH12010400110	35	Rear plate	-
17	Copper teflon pipe connection 1/4H×1/4PT	BH12010400410	36	EGO protection box	YR40000400300
18	Float ball	BL43121500621	37	Thick-headed screw M4×5	YW62040600000
19	Switch control cover	-	38	2" castor	YW03000200000

* means possible broken parts.

** means easy broken part. and spare backup is suggested.

Please confirm the version of manual before placing the purchase order to guarantee that the item number of the spare part is in accordance with the real object.

2.2.3 Assembly Drawing (STM-2440-HT)



Remarks: Please refer to material list 2.2.4 for specific explanation of the Arabic numbers in parts drawing.

Picture 2-3: Assembly Drawing (STM-2440-HT)

2.2.4 Parts List (STM-2440-HT)

Table 2-3: Parts List (STM-2440)

No.	Name	Part No.	No.	Name	Part No.
1	Main power switch	YE10250400000	27	3/8" solenoid valve	YE32215400000
2	HANYOUNG controller	YE81100010000	28	Copper connection 2	-
3	Pressure gauge	YW85001000100	29	Copper connection 4	BH12060702110
4	M4×6 thick-headed screw	YW63064500000	30	Teflon pipe connection 1/4pt×3/8h	BH12010400510
5	Panel	-	31	Y type filter	YW57010200000
6	Fan	-	32	Copper insert m13×1/2pt	BH12131200010
7	M5×10 screw	YW62051000100	33	Side plate clapboard	-
8	Control box	BL43244001521	34	Right side plate	BL43244002420
9	Movable castor	YW03000300000	35	Cooling tank heat-resistant asbestos	-
10	Fixed board	-	36	Cooling tank heat-resistant asbestos 2	-
11	M6×10 screw	YW62061000000	37	Heating tank encircle board 5	-
12	Bottom plate	BL43244002320	38	Heating tank encircle board 2	-
13	Bracket	-	39	Heating tank encircle board 3	-
14	Heating tank	BL43244000921	40	Heating tank encircle board 1	-
15	3/8" float ball (heating insulation 300℃)	YW50030800200	41	Cooling tank heat-resistant asbestos	-
16	Teflon pipe connection 3/8pt×3/8h I type	YW04030800300	42	Rear plate	BL43244001220
17	Cooling tank auxiliary oil tank	BL43244000321	43	Liquid level indicator	BH12030000010
18	M10×25 inner hexagon screw	YW61102500000	44	Fan	YM60423000000
19	Magnetic drive pump	BM20283300050	45	Mini cover board of backboard	BL43244001120
20	Teflon pipe connection 8/3pt×3/8h I type	BH12030800610	46	Mini cover board of backboard bracket	BL43244001120
21	External hexagonal screw m10×35	YW60103500000	47	Pipe heater cover	BL80091000120
22	M10 external hexagonal screw	YW64001000100	48	Heating pipe	BH70244000250
23	3/8" stainless steel three way	YW52030800000	49	Cooling pipe	-
24	Pipe coupler 3/8pt×3/8pt I type	YW04030800100	50	Water flow regulator connector	-
25	Pipe coupler 3/8pt×3/8pt	BH12030800110	51	Screw 1/4pt	BH12010400710
26	Connector	-	52	Flat head screw M6×15	YW62061500000

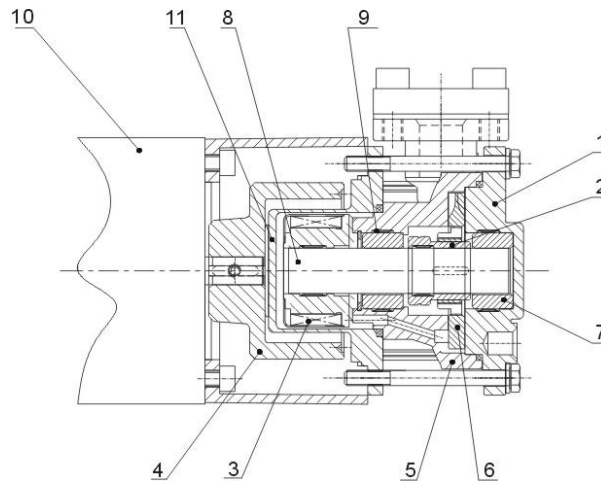
No.	Name	Part No.	No.	Name	Part No.
53	Oil cap 3/4pt	BH12030403040	60	Top plate heat-resistant board	-
54	Oil tank cover board	BL43244002520	61	External hexagonal screw M8×20	YW60082000300
55	Float ball	BL43244001221	62	Top plate	-
56	Support beam	-	63	Left side plate	BL43244002420
57	Microswitch	YE14152400000	64	Ventilation fan + fan guard	YM60922500100
58	Ego protection box	YR40000400300	65	Electrical control box base	BL43244002120
59	Front panel	-	66	Panel	-

* means possible broken parts.

** means easy broken part. and spare backup is suggested.

Please confirm the version of manual before placing the purchase order to guarantee that the item number of the spare part is in accordance with the real object.

2.2.5 Pump



Names of Parts:

- | | | |
|-------------------------------|------------------|---------------------------|
| 1. Pump cover | 2. Shaft sleeve | 3. Inner magnetic coupler |
| 4. Out magnetic coupler | 5. Pump body | 6. Paddle wheel |
| 7. Carbonated silicon bearing | 8. Ceramic stick | |
| 9. Lockup parts | 10. Motor | 11. Magnetic cover |

Picture 2-4: Pump