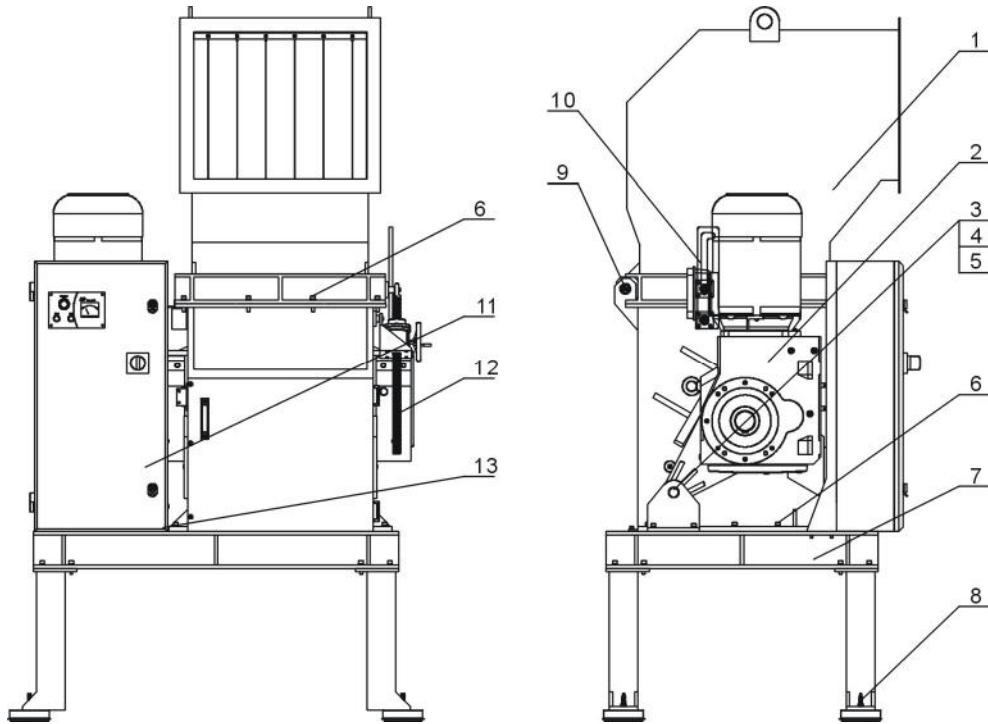


## 2.3 Assembly Drawings

### 2.3.1 Assembly Drawing



Note: Please refer to 2.3.2 material list about the parts Arabic code numbers.

Picture 2-5: Assembly Drawing

### 2.3.2 Parts List

Table 2-1: Parts List

No.	Name	Part No.
		SGS-4860S
1	feed box parts	As picture 2-6
2	crushing chamber parts	As picture 2-7
3	Gear motor fixed hinge pin	-
4	Pad of gear motor fixed pin	-
5	Inner hexagon screw M8×25	YW61082500100
6	Inner hexagon screw M12×45	YW61124500000
7	Rack parts	As picture 2-8
8	Anti-vibration pad	BW30132000110
9	Pad of feed hopper rotary shaft	-
10	Secondary protection agency	As picture 2-9

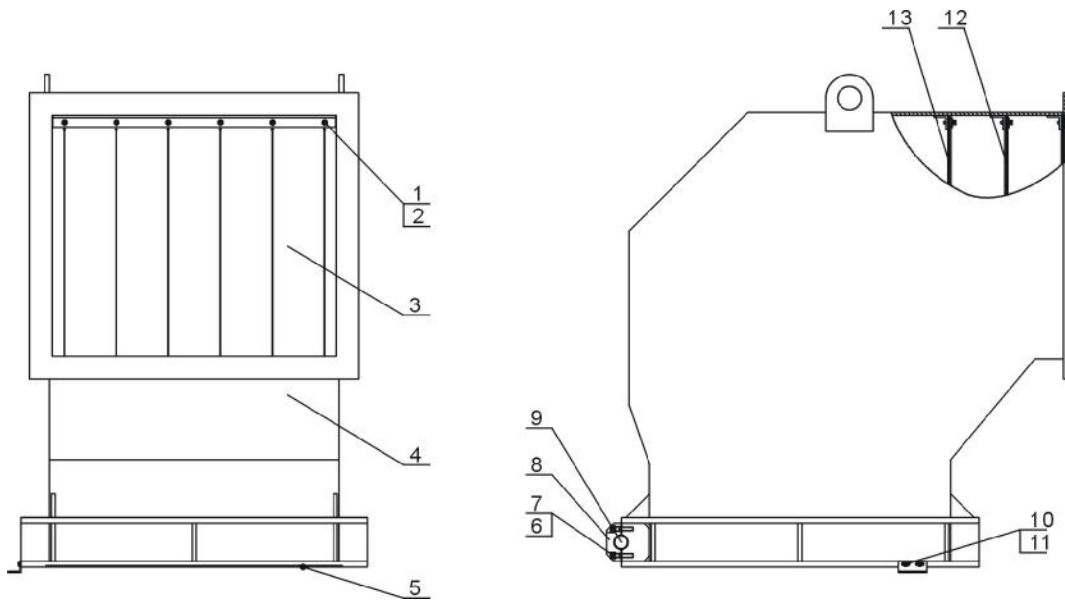
11	Control box parts	As picture 2-10
12	Lifting device	As picture 2-11
13	Inner hexagon screw M10×35	YW61103500000

\*means possible broken parts.

\*\*means easy broken part. and spare backup is suggested.

Please confirm the version of manual before placing the purchase order to guarantee that the item number of the spare part is in accordance with the real object.

### 2.3.3 Feed Box Parts



Picture 2-6: Feed box parts

### 2.3.4 Feed Box Parts List

Table 2-2: Feed box parts list

NO.	Name	Part No.
		SGS-4860S
1	Inner hexagon screw M5×20	YW61052000000
2	Pressing plate of material fender	-
3	Outside material fender	-
4	Feed box	-
5	Hopper fastener	YR10005000200
6	Inner hexagon screw M8×35	YW61083500000
7	Spring Washer 8	YW65008000200
8	Base cover of feed box rotary shaft	-

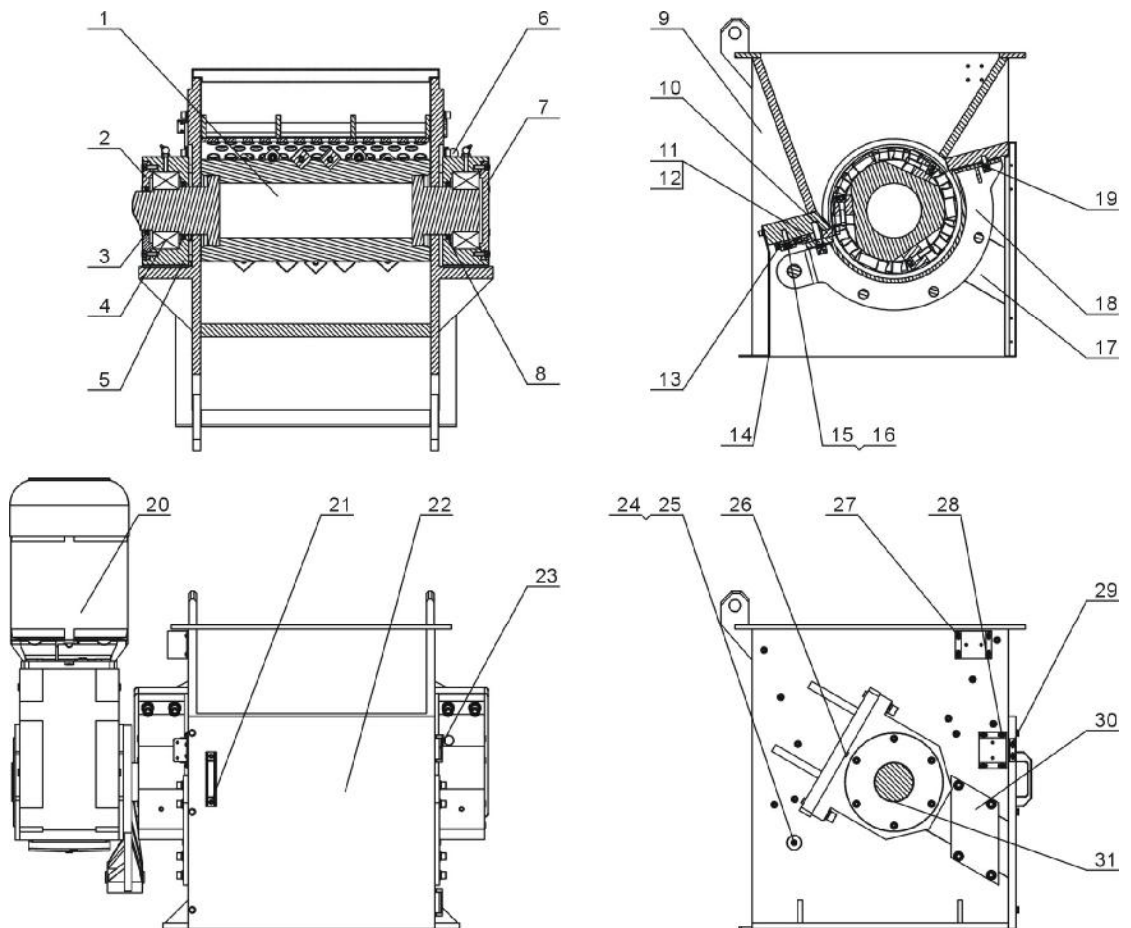
9	Feed box rotary shaft	-
10	Safety switch pinboard	-
11	Cross head cap screw M5×15	YW6205150000
12	Middle material fender	-
13	Inner material fender	-

\* means possible broken parts.

\*\* means easy broken part. and spare backup is suggested.

Please confirm the version of manual before placing the purchase order to guarantee that the item number of the spare part is in accordance with the real object.

### 2.3.5 Crushing Chamber Parts



Picture 2-7: Crushing chamber parts

### 2.3.6 Crushing Chamber Parts List

Table 2-3: Crushing chamber parts list

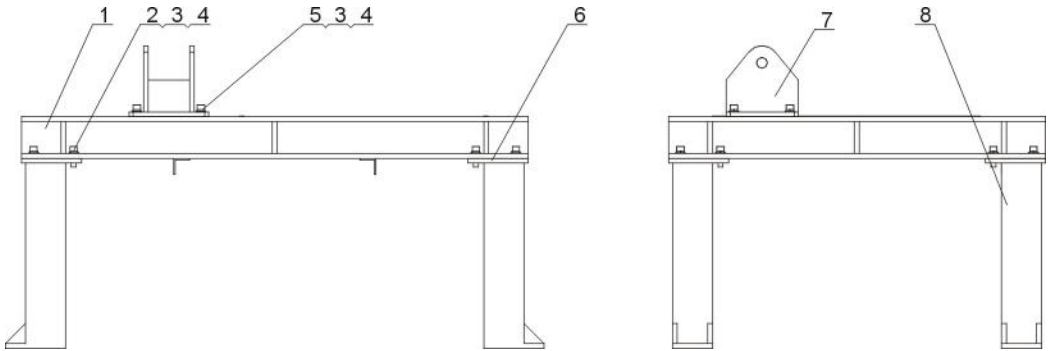
No.	Name	Parts No.
		SGS-4860S
1	Blade rest shaft assembly parts	-
2	Left bearing cover	-
3	Rotary shaft lip type seal ring FB10012512	YR20125100000
4	Self-aligning roller bearing	YW11232220000
5	Bearing block	-
6	Screen bracket spring pin	-
7	Right bearing cover	-
8	Rotary shaft lip type seal ring FB10012512	YR20125150120
9	Crushing chamber	-
10	Fixed blade 1*	-
	Fixed blade 2*	-
11	Inner hexagon screw M16×70	YW61167000000
12	Fixed blade pressing plate	-
13	Inner hexagon screw M10×70	YW61107000100
14	Crushing chamber rear seal plate	-
15	Inner hexagon screw M12×40	YW61124000000
16	Fixed blade adjusting board	-
17	Right lock shaft fixed block	-
18	Screen bracket assembly parts	-
19	Inner hexagon screw M16×35	YW61163500000
20	Gear motor	YM50905200000
21	Aluminum square handle M8-L120	BW20012000140
22	Door plank	-
23	Hinge CL240-2	YW06240200000
24	Support pipe of screen bracket	-
25	Shaft washer of screen bracket	-
26	Key	-
27	Safety switch fixed base 1	-
28	Safety switch fixed base 2	-
29	Safety switch pinboard	-
30	Left lock shaft fixed block	-
31	Main shaft key	-

\*means possible broken parts.

\*\*means easy broken part. and spare backup is suggested.

Please confirm the version of manual before placing the purchase order to guarantee that the item number of the spare part is in accordance with the real object.

### 2.3.7 Rack Parts



Picture 2-8: Rack parts

### 2.3.8 Rack Parts List

Table 2-4: Rack parts list

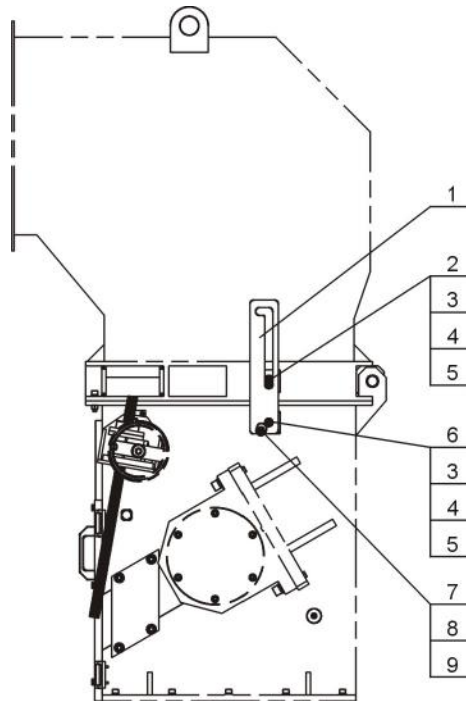
No.	Name	Parts No.
		SGS-4860S
1	Rack base	-
2	Inner hexagon screw M12×50	YW61125000000
3	Flat washer 12	YW66122400000
4	Spring washer 12	YW65012200000
5	Inner hexagon screw M12×40	YW61124000000
6	Support foot 1	-
7	Gear motor support base	-
8	Support foot 2	-

\*means possible broken parts.

\*\*means easy broken part. and spare backup is suggested.

Please confirm the version of manual before placing the purchase order to guarantee that the item number of the spare part is in accordance with the real object.

### 2.3.9 Secondary Protection Agency



Picture 2-9: Secondary protection agency

### 2.3.10 Secondary Protection Agency Parts List

Table 2-5: Secondary protection agency parts list

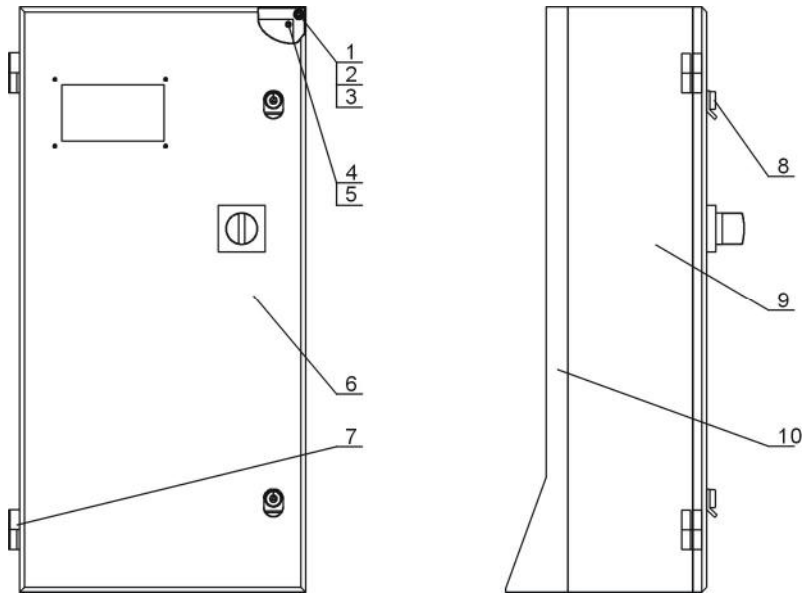
NO.	Name	Parts No.
		SGS-4860S
1	Support plate	-
2	Feed box protective support base	-
3	Washer	-
4	Inner hexagon screw M6×10	YW61061000800
5	Spring washer 6	YW65006000100
6	Protective support base	-
7	Inner hexagon screw M8×35	YW61083500000
8	Spring washer 8	YW65008000100
9	Flat washer 8	YW66081800100

\*means possible broken parts.

\*\*means easy broken part. and spare backup is suggested.

Please confirm the version of manual before placing the purchase order to guarantee that the item number of the spare part is in accordance with the real object.

### 2.3.11 Control Box Parts



Picture 2-10: Control box parts

### 2.3.12 Control Box Parts List

Table 2-6: Control box parts list

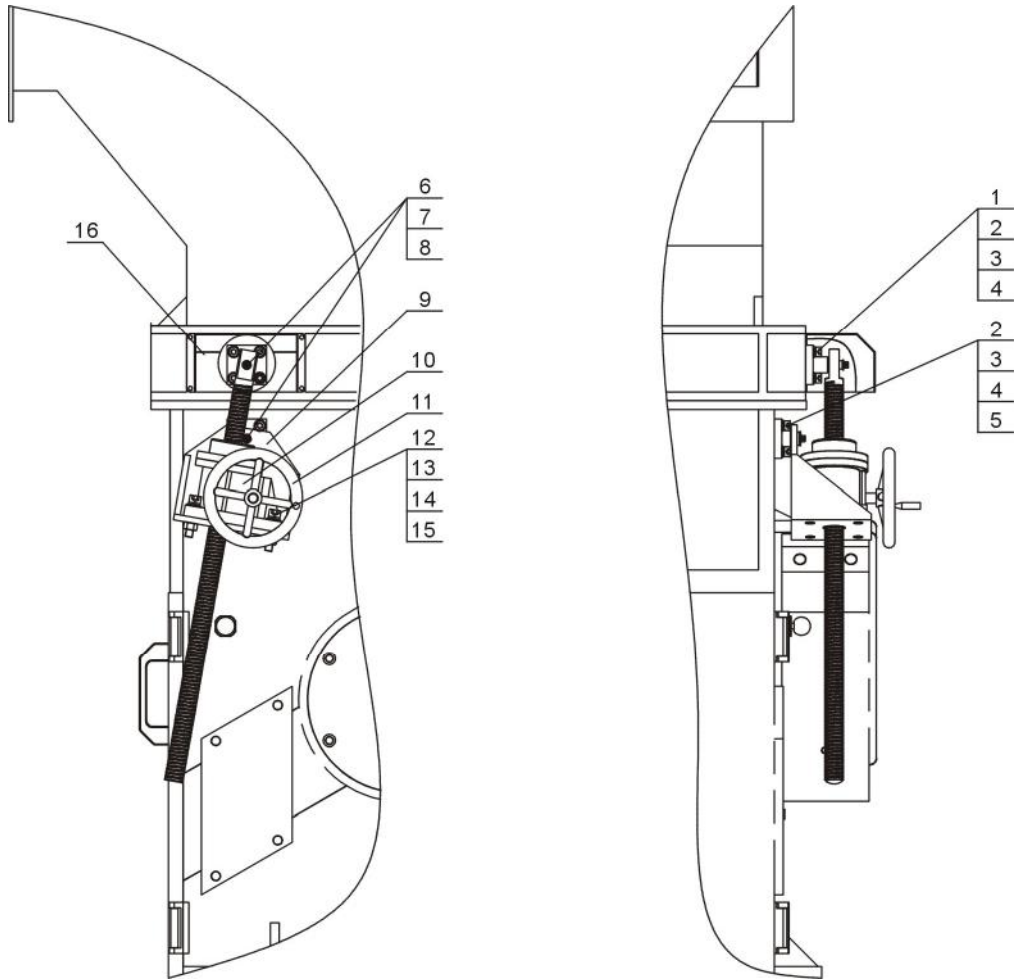
No.	Name	Parts No.
		SGS-4860S
1	Inner hexagon screw M8×20	YW61082000200
2	Flat washer 8	YW66081600000
3	Spring washer 8	YW65008000200
4	Electrical fixed plate	-
5	Locknut M5	YW64000500000
6	Control box door plank	-
7	Hinge CL203-1	YW06203100000
8	Door lock MS816-1	YW00816100000
9	Control box body	-
10	Control box fixed base	-

\*means possible broken parts.

\*\*means easy broken part. and spare backup is suggested.

Please confirm the version of manual before placing the purchase order to guarantee that the item number of the spare part is in accordance with the real object.

### 2.3.13 Lifting Device



Picture 2-11: Lifting Device

### 2.3.14 Lifting Device Parts List

Table 2-7: Lifting device parts list

No.	Name	Parts No.
		SGS-4860S
1	Feed box support base	-
2	Inner hexagon screw M8×25	YW61082500100
3	Flat washer 8	YW66081600000
4	Spring washer 8	YW65008000100
5	Lifter support base	-
6	Inner hexagon screw M6×10	YW61061000100



7	Spring washer 6	YW65006000100
8	washer	-
9	Lifter fixed base	-
10	Spiral lifter	-
11	Hand wheel $\Phi 160 \times \Phi 16$	YW09161500000
12	Inner hexagon screw M10 $\times$ 40	YW61104000200
13	Flat washer 10	YW66102500000
14	Spring washer 10	YW65010000000
15	Inner hexagon nut M10	YW64001000100
16	Feed box support base cover	-

\*means possible broken parts.

\*\*means easy broken part. and spare backup is suggested.

Please confirm the version of manual before placing the purchase order to guarantee that the item number of the spare part is in accordance with the real object.