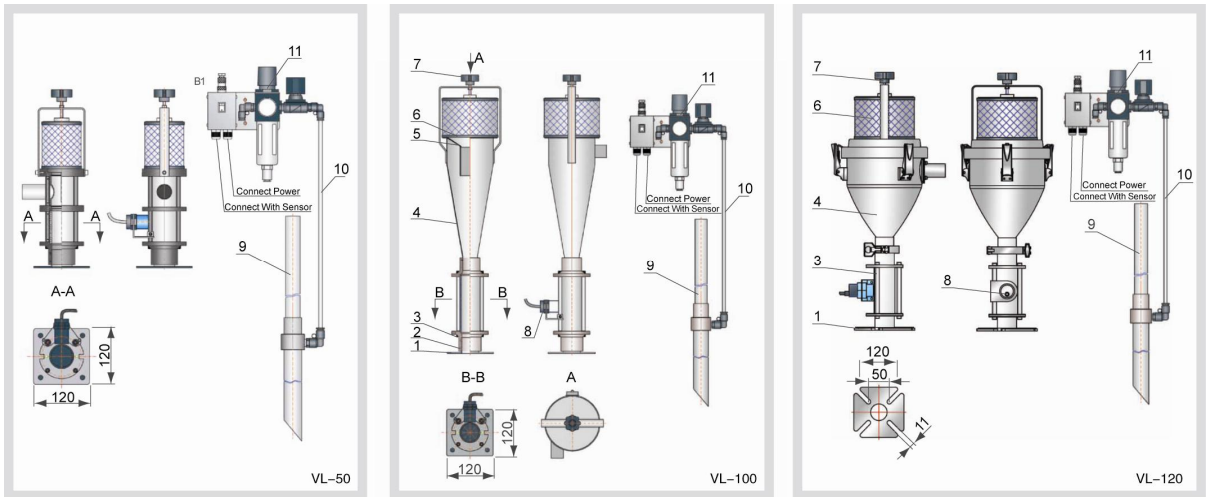


## 2.2 Assembly Drawing

### 2.2.1 Assembly Drawing



#### Names of Parts:

- |                    |               |                                       |           |
|--------------------|---------------|---------------------------------------|-----------|
| 1. Base            | 2. O-ring     | 3. Flange connecting pole             | 4. Hopper |
| 5. Material baffle | 6. Air filter | 7. Fixing knob                        | 8. Sensor |
| 9. Conveying pipe  | 10. Air pipe  | 11. Compressed-air filter & regulator |           |

Picture 2-2: Assembly Drawing