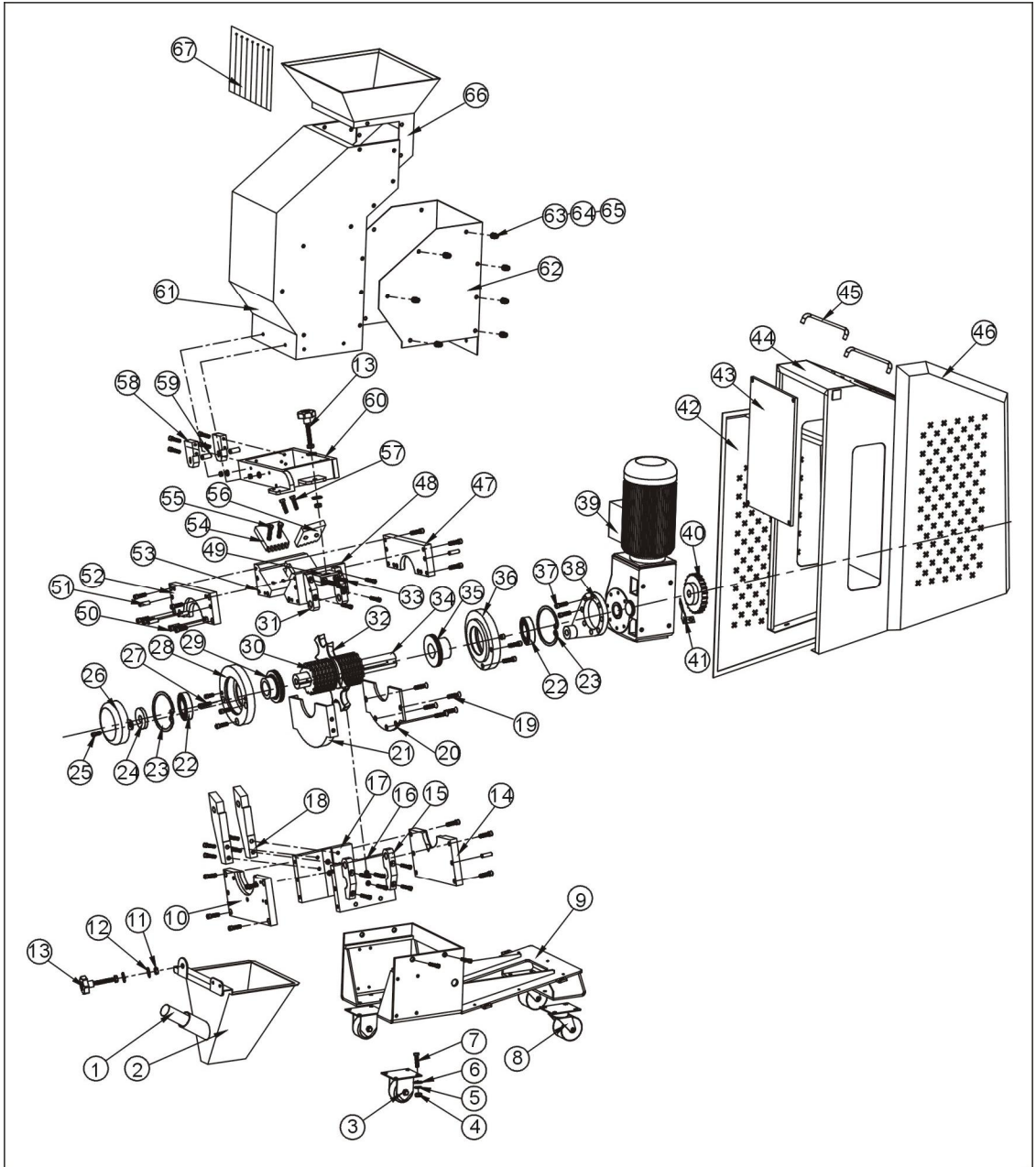


2.3 Assembly Drawing

2.3.1 System Structure (SG-2417N)



Note: Please refer to 2.3.2 material list about the parts code.

Picture 2-4: System Structure (SG-2417N)

2.3.2 Parts List (SG-2417N)

Table 2-1: Parts List (SG-2417N)

No.	Name	Part No.	No.	Name	Part No.
1	Suction pipe	-	27	Socket head cap screw M12×25	YW61122500000
2	Storage bin	-	28	Left bearing base	BW30024001010
3	Fixing black rubber wheel 3"	YW03000300300	29	Left shaft sleeve	BW30024000210
4	Hexnut M8	YW64080600000	30	Teeth cutter R *	YW40024000400
5	Spring washer 8	YW65008000200		Narrow teeth cutter R *	YW40241400000
6	Flat washer 8	YW66081600000		Widened teeth cutter R*	YW40241000000
7	Hexagon bolt M8×25	YW60082500300	31	Turning block 1	BH10240900110
8	Brake black rubber wheel 3"	YW03000300000	32	Staggered blade*	BW40240500010
9	Base	-	33	Socket head cap screw M10×60	YW61106000000
10	Left bearing holder at bottom	BH10241100110	34	Main shaft	BH56242701010
11	Anti-loose hexnut M12	YW64012100000	35	Right shaft sleeve	BH10240400010
12	Washer Φ12×24	YW66122400000	36	Right bearing base	BW30240800010
13	Plum blossom assembly	BH56240200010	37	Socket head cap screw M8×20	YW61082000200
14	Right bearing holder at bottom	BH10241200410	38	Gear motor fixed plate	BH10241900110
15	Rotate block of chamber 2	BH10240900210	39	Reduction gear	YM50007500000
16	Front case block at bottom	BH10241702010	40	Inductive wheel	BH11002401010
17	Back case block at bottom	BH10241703010	41	Inductive wheel fixed plate	-
18	Rotate block of feed box 2	BH10241200110	42	Right guardplate	-
19	Flat inner hex bolt M8X20	YW61082000100	43	Front guardplate	-
20	Middle plate 2	BH10002400910	44	Control cabinet	-
21	Middle plate 1	BH10002400710	45	Handle LS516-175	YW06516000000
22	Bearing 6213 DDU/VV	YW11621300000	46	Left guardplate	-
23	Spring ring 120	YW69012700000	47	Right bearing holder at top	BH10240000210
24	Washer	-	48	Front case block at top	BW30241700110
25	Socket head cap screw M12×20	YW61122000000	49	Feed box lcking block	-
26	Bearing cap	-	50	Socket head cap screw M10×30	YW61103000100

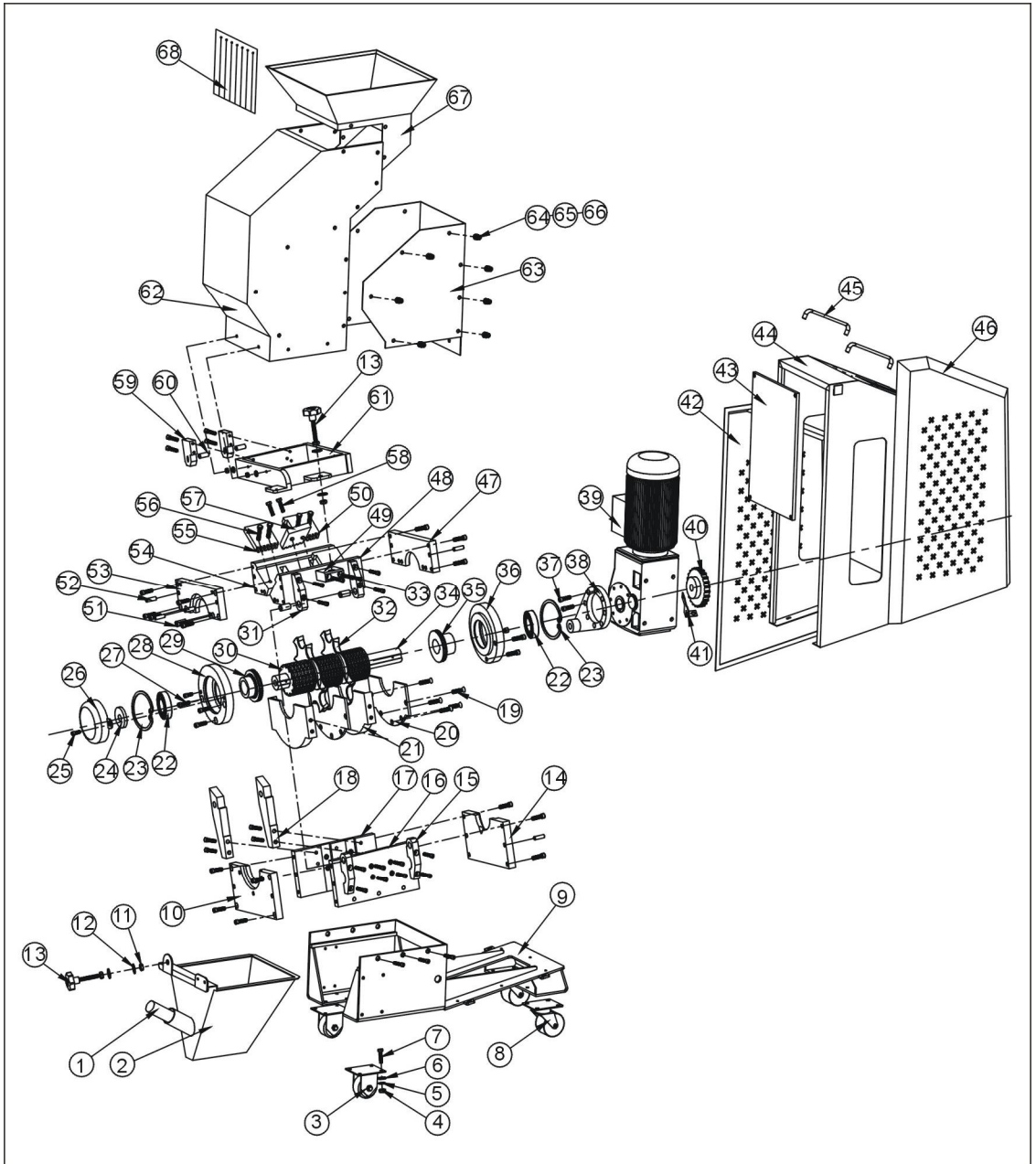
No.	Name	Part No.	No.	Name	Part No.
51	Spring round pin 12×35	YW69123500000	58	Turning block 1	BH10241300110
52	Left bearing holder at top	BH10240000310	59	Feed box spindle	BH10184900010
53	Back case block at top	BW30241700010	60	Feed box base	
54	Fixed front blade F1*	YW40024000100	61	Feed box	YR90241700900
	Narrow fixed front blade F1*	BW40041100010	62	Feed box front plate	
	Widened fixed front blade F1*	YW40240700000	63	Cup head socket headcap screw M8×25	YW61082500200
55	Hexagon headed bolt M10×35	YW60103500200	64	Flat washer 8	YW66081600000
56	Fixed rear blade B*	YW40024000300	65	Antiloose hexnut M8	YW64000800100
	Narrow fixed rear blade B*	BW40131100010	66	Feed port	
	Widened fixed rear blade B*	YW40240900000	67	Material stopper	YR90152000000
57	Hexagon headed bolt M10×30	YW60103000200			

* means possible broken parts.

** means easy broken part. and spare backup is suggested.

Please confirm the version of manual before placing the purchase order to guarantee that the item number of the spare part is in accordance with the real object.

2.3.3 System Structure (SG-2427N)



Note: Please refer to 2.3.4 material list about the parts code.

Picture 2-5: System Structure (SG-2427N)

2.3.4 Parts List (SG-2427N)

Table 2-2: Parts List (SG-2427N)

No.	Name	Part No.	No.	Name	Part No.
1	Suction pipe	-	26	Bearing cap	-
2	Storage bin	-	27	Socket head cap screw M12×X25	YW61122500000
3	Fixed black rubber wheel 3"	YW03000300300	28	Left bearing base	BW30024001010
4	Hexnut M8	YW64080600000	29	Left shaft sleeve	BW30024000210
5	Spring washer 8	YW65008000200	30	Teeth cutter R *	YW40024000400
6	Flat washer 8	YW66081600000		Narrow teeth cutter R *	YW40241400000
7	Socket head cap screw M8×25	YW60082500300		Widened teeth cutter R *	YW40241000000
8	Brake black rubber wheel 3"	YW03000300000	31	Turning block of cutting chamber 1	BH10240900110
9	Base	-	32	Staggered blade*	BW40240500010
10	Left bearing holder at bottom	BH10241100110	33	Socket head cap screw M10×60	YW61106000000
11	Antiloose hexnut M12	YW64012100000	34	Main shaft	BH56242701010
12	Washer Φ12×24	YW66122400000	35	Right shaft sleeve	BH10240400010
13	Star assembly	BH56240200010	36	Right bearing base	BW30240800010
14	Right bearing holder at bottom	BH10241200410	37	Socket head cap screw M8×20	YW61082000200
15	Turning block 2	BH10240900210	38	Gear motor fixed plate	BH10241900110
16	Front case block at bottom	BH10242702010	39	Gear motor	YM50007500000
17	Back case block at bottom	BH10242703010	40	Inductive wheel	BH11002401010
18	Turning block of feed box 2	BH10241200110	41	Sensor fixed plate	-
19	Pan head socket headcap screw M8×20	YW61082000100	42	Right guardplate	-
20	Middle plate 2	BH10002400910	43	Front guardplate	-
21	Middle plate 1	BH10002400710	44	Control cabinet	-
22	Bearing 6213 DDU/VV	YW11621300000	45	Handle LS516-175	YW06516000000
23	Spring ring 120	YW69012700000	46	Left guardplate	-
24	Washer	-	47	Right bearing holder at top	BH10240000210
25	Socket head cap screw M12×20	YW61122000000	48	Front bearing holder at top	BW30242700510

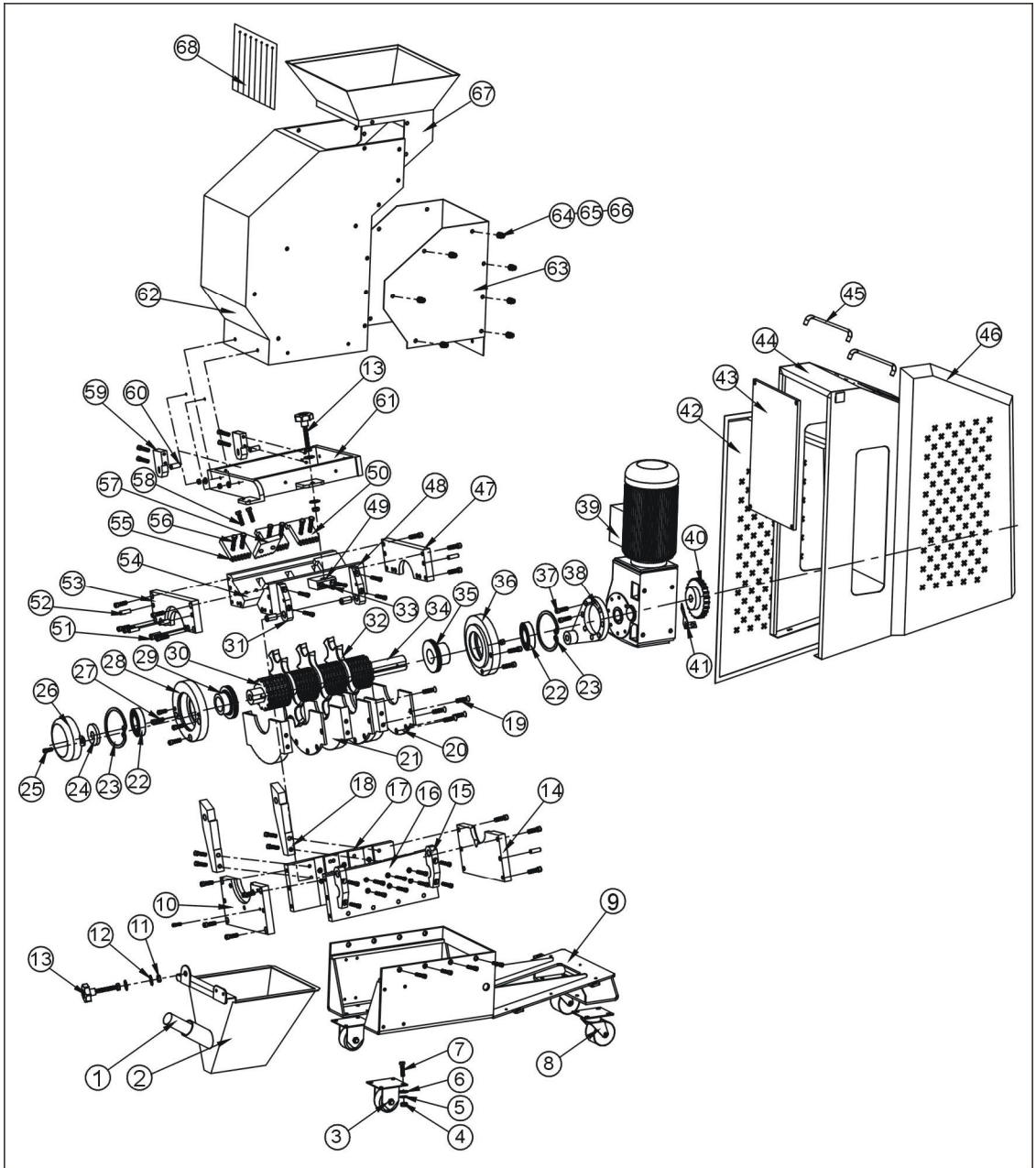
No.	Name	Part No.	No.	Name	Part No.
49	Feed box locking block	-		Fixed rear blade B*	YW40024000300
50	Fixed front blade F2*	-	57	Narrow fixed rear blade B*	BW40131100010
	Narrow fixed fixed front blade F2*	-		Widened fixed rear blade B*	YW40240900000
	Widened fixed front blade F2*	-	58	Socket head cap screw M10×30	YW60103000200
51	Socket head cap screw M10×30	YW61103000100	59	Turning block of feed box 1	BH10241300110
52	Spring round pin 12×35	YW69123500000	60	Spindle of feed box	BH10184900010
53	Left bearing holder at top	BH10240000310	61	Feed box base	-
54	Back case block at top	BW30242700410	62	Feed box	YR90242700900
55	Fixed front blade F1*	YW40024000100	63	Feed box front plate	-
	Narrow fixed front blade F1*	BW40041100010	64	Cup head socket headcap screw M8×25	YW61082500200
	Widened fixed front blade F1*	YW40240700000	65	Flat washer 8	YW66081600000
56	Sockethead cap screw M10×35	YW60103500200			

* means possible broken parts.

** means easy broken part. and spare backup is suggested.

Please confirm the version of manual before placing the purchase order to guarantee that the item number of the spare part is in accordance with the real object.

2.3.5 System Structure (SG-2436N)



Note: Please refer to 2.3.6 material list about the parts code.

Picture 2-6: System Structure (SG-2436N)

2.3.6 Parts List (SG-2436N)

Table 2-3: Parts List (SG-2436N)

No.	Name	Part No.	No.	Name	Part No.
1	Suction pipe	-	26	Bearing cap	-
2	Storage bin	-	27	Socket head cap screw M12×25	YW61122500000
3	Fixed Black rubber wheel 3"	YW03000300300	28	Left bearing base	BW30024001010
4	Hexnut M8	YW64080600000	29	Left shaft sleeve	BW30024000210
5	Spring washer 8	YW65008000200	30	Teeth cutter R *	YW40024000400
6	Flat washer 8	YW66081600000		Narrow teeth cutter R*	YW40241400000
7	Socket head cap screw M8×25	YW60082500300		Widened teeth cutter R*	YW40241000000
8	Brake rubber wheel 3"	YW03000300000	31	Turning block of cutting chamber 1	BH10240900110
9	Base	-	32	Staggered blade*	BW40240500010
10	Left bearing hlder at bottom	BH10241100110	33	Socket head cap screw M10×60	YW61106000000
11	Antiloose hexnut M12	YW64012100000	34	Main shaft	BH56243601010
12	Washer Φ12 × 24	YW66122400000	35	Right shaft sleeve	BH10240400010
13	Star assembly	BH56240200010	36	Right bearing base	BW30240800010
14	Right bearing holder at bottom	BH10241200410	37	Socket head cap screw M8×20	YW61082000200
15	Turning block of cutting chamber 2	BH10240900210	38	Gear motor fixed plate	BH10241900110
16	Front case block at bottom	BH10243602010	39	Gear motor	YM50001500000
17	Back case block at bottom	BH10243603110	40	Inductive wheel	BH11002401010
18	Turning block of feed box 2	BH10241200110	41	Sensor fixed plate	-
19	Pan head socket headcap screw M8×20	YW61082000100	42	Right guardplate	-
20	Middle plate 2	BH10002400910	43	Front guardplate	-
21	Middle plate 1	BH10002400710	44	Control cabinet	-
22	Bearing 6213 DDU/VV	YW11621300000	45	Handle LS516-175	YW06516000000
23	Spring ring 120	YW69012700000	46	Left guardplate	-
24	Washer	-	47	Right bearing holder at top	BH10240000210
25	Socket head cap screw M12×20	YW61122000000	48	Front case block at top	BW30243600610

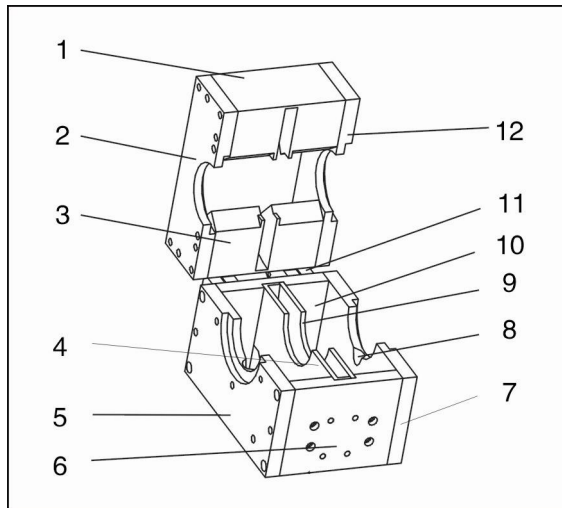
No.	Name	Part No.	No.	Name	Part No.
49	Feed box locking block	-	58	Socket head cap screw M10×30	YW60103000200
50	Fixed front blade F2*	-	59	Turning block of feed box 1	BH10241300110
	Narrow fixed front blade F2*	-	60	Spindle of feed box	BH10184900010
	Widened fixed front blade F2*	-	61	Feed box base	-
51	Socket head cap screw M10X30	YW61103000100	62	Feed box	YR90243600900
52	Spring round pin 12×35	YW69123500000	63	Front plate of feed box	-
53	Left bearing holder at top	BH10240000310	64	Cup head socket head cap screw M8×25	YW61082500200
54	Back case block at top	BW30243600710	65	Flat washer 8	YW66081600000
55	Fixed front blade F1*	YW40024000100	66	Antiloose hexnut M8	YW64000800100
	Narrow fixed front blade F1*	BW40041100010	67	Feed port	
	Widened fixed front blade F1*	YW40240700000	68	Material stopper	YR90152000000
56	Socket head cap screw M10×35	YW60103500200			
57	Fixed rear blade B*	YW40024000300			
	Narrow fixed rear blade B*	BW40131100010			
	Widened fixed rear blade B*	YW40240900000			

* means possible broken parts.

** means easy broken part. and spare backup is suggested.

Please confirm the version of manual before placing the purchase order to guarantee that the item number of the spare part is in accordance with the real object.

2.3.7 Cutting Chamber



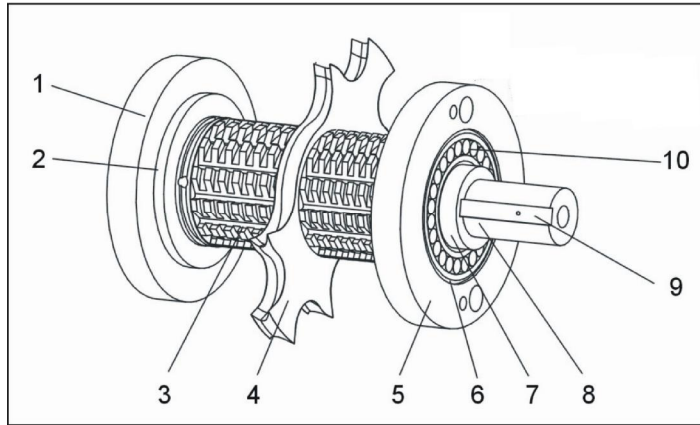
Picture 2-7: Cutting Chamber

2.3.8 Cutting Chamber Parts List

Table 2-4: Parts List

No.	Name	Quantity		
		SG-2417N	SG-2427N	SG-2436N
1	Front case block at top	1	1	1
2	Left bearing holder at top	1	1	1
3	Back case block at top	1	1	1
4	Middle plate 1	1	2	3
5	Left bearing holder at bottom	1	1	1
6	Front case block at bottom	1	1	1
7	Right bearing holder at bottom	1	1	1
8	Middle plate 2	1	2	3
9	Back case block at bottom	1	1	1
10	Locating block	1	1	1
11	Right bearing holder at top	1	1	1

2.3.9 Blade Rest



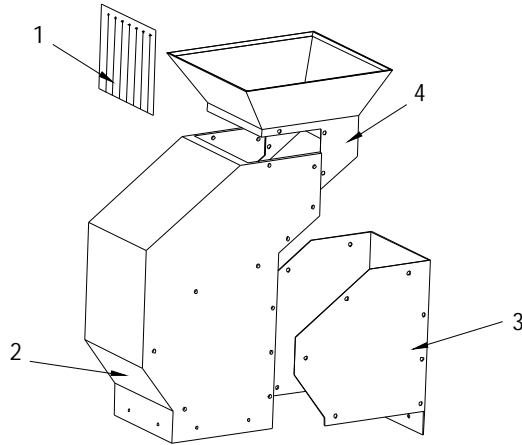
Picture 2-8: Blade Rest

2.3.9.1 Blade Rest Parts List

Table 2-5: Blades Rest Parts List

No.	Name	Quantity		
		SG-2417N	SG-2427N	SG-2436N
1	Left bearing block	1	1	1
2	Left shaft sleeve	1	1	1
3	Teeth cutter	2	3	4
4	Staggered blade	1	2	3
5	Right bearing block	1	1	1
6	Spring clip	2	2	2
7	Right shaft sleeve	1	1	1
8	Main shaft	1	1	1
9	Key	1	1	1
10	Bearing	2	2	2

2.3.10 Feed Box, Feed Port and Material Stopper



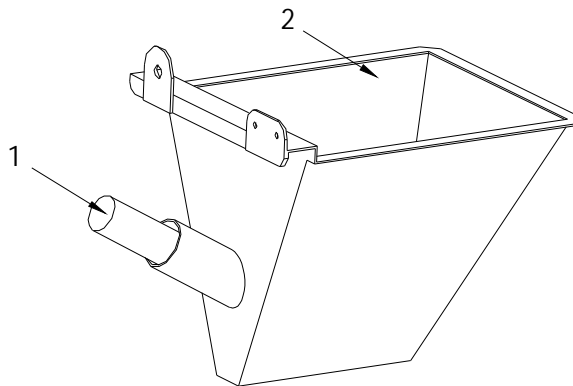
Picture 2-9: Feed Box, Feed Port and Material Stopper

2.3.11 Feed Box, Feed Port and Material Stopper Parts List

Table 2-6: Feed Box, Feed Port and Material Stopper Parts List

No.	Name	Quantity		
		SG-2417N	SG-2427N	SG-2436N
1	Material stopper	1	1	1
2	Feed box	1	1	1
3	Feed box front plate	1	1	1
4	Feed port	1	1	1

2.3.12 Storage Bin



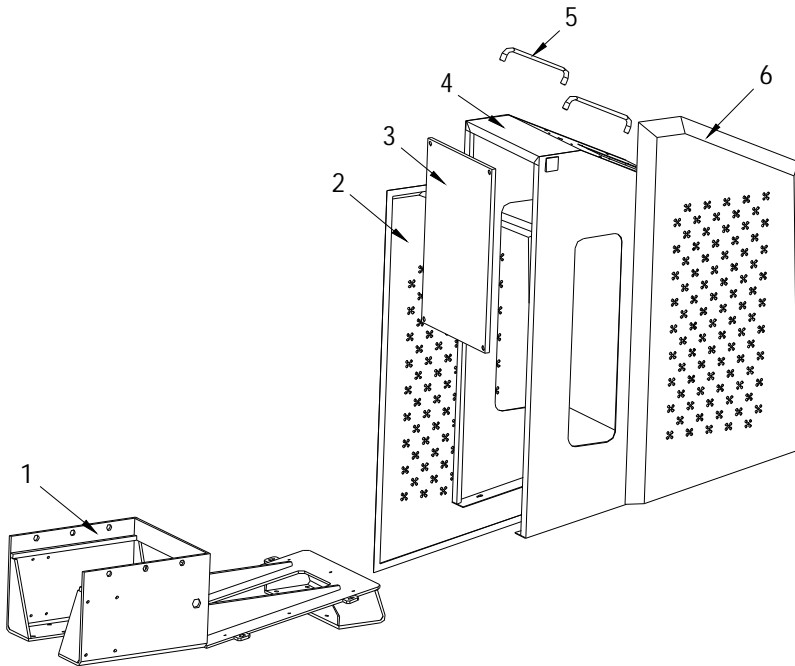
Picture 2-10: Storage Bin

2.3.13 Storage Bin Parts List

Table 2-7: Storage Bin Parts List

No.	Name	Quantity		
		SG-2417N	SG-2427N	SG-2436N
1	Suction tube	1	1	1
2	Storage bin	1	1	1

2.3.14 Main Body



Picture 2-11: Main Body

2.3.15 Main Body Parts List

Table 2-8: Main Body Parts List

No.	Name	Quantity		
		SG-2417N	SG-2427N	SG-2436N
1	Base	1	1	1
2	Right backplate	1	1	1
3	Front backplate	1	1	1
4	Control cabinet	1	1	1
5	Handle LS516-175	2	2	2
6	Left backplate	1	1	1