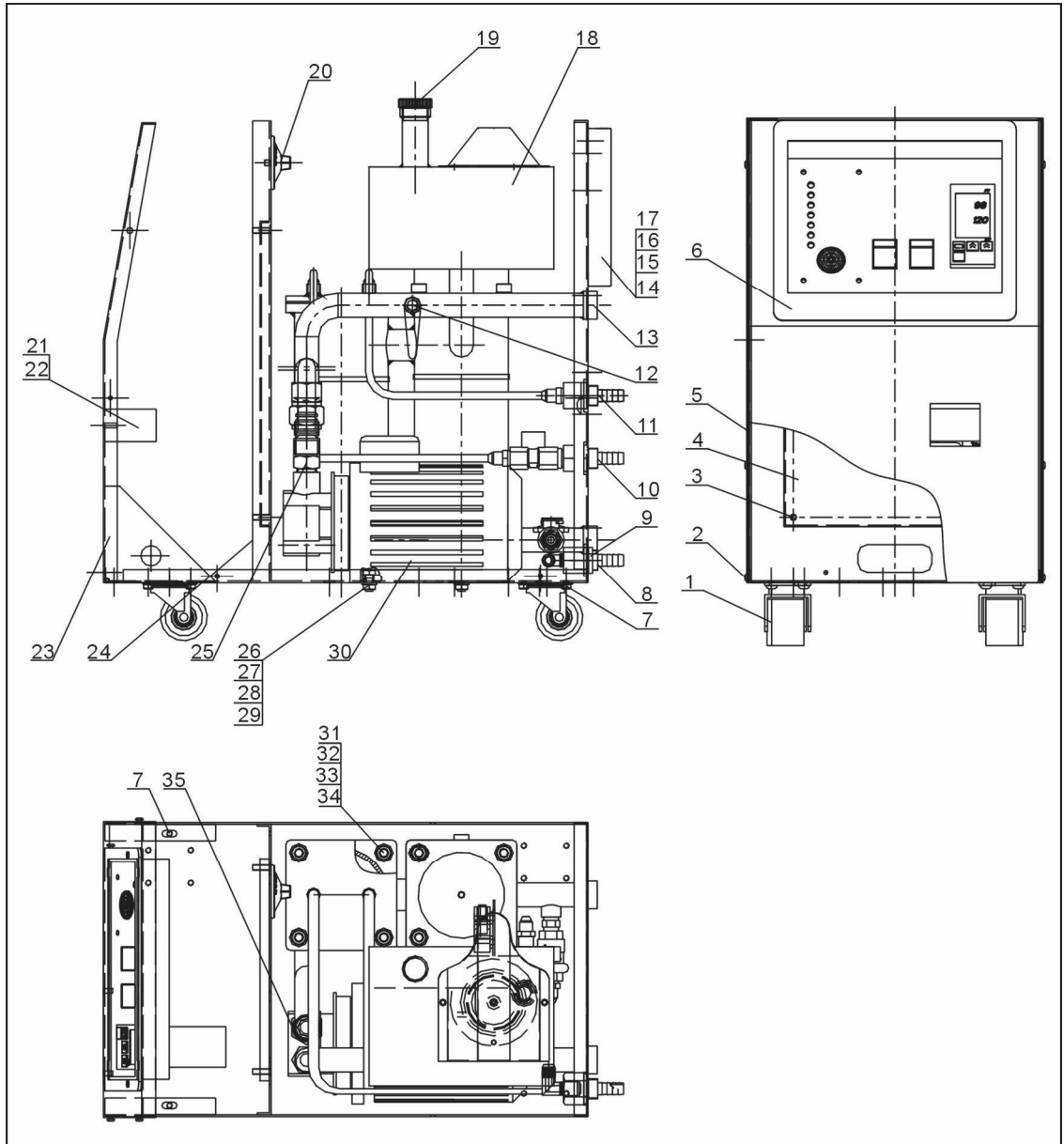


## 2.2 Assembly Drawing

### 2.2.1 System Structure Drawing (STM-405E)



Remarks: Please refer to material list 2.2.2 for specific explanation of the Arabic numbers in parts drawing.

Picture 2-3: System Structure Drawing (STM-405E)

## 2.2.2 Parts List (STM-405E)

Table 2-1: Parts List (STM-405E)

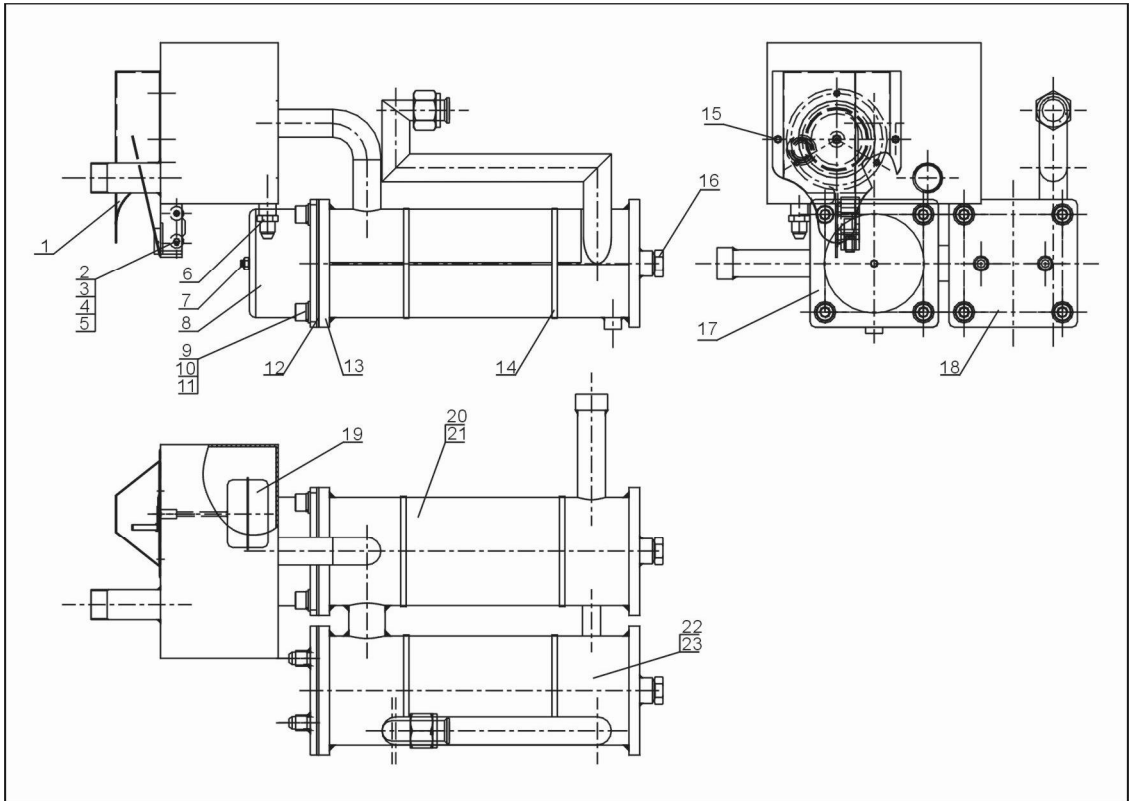
No.	Name	Parts No.	No.	Name	Parts No.
1	Black rubber caster 2"	YE03000200000	19	Aluminum oil pipe cap	BH12030403040
2	Thick head screw M4×6	YW63040600000	20	EGO (with no plastic box)	BH90115000150
3	Flat head screw M6×15	YW63061700000	21	Breaker platen	-
4	Electrical supporting plate	-	22	Hexagon screw M5	YW64000600000
5	Cover plate	-	23	Operation panel	-
6	Plastic operation panel	YR40009500000	24	Rack	-
7	Flat head screw M6×10	YW62061000000	25	Copper flared joint 3/4"H × 1/2"PT×55	BH12030401010
8	Oil exhaust coupling	-	26	Outer hexagobalbolt M8×25	YW60082500300
9	Copper male connector	-	27	Hexagon nut M8	YW64080600000
10	Cooling water inlet coupling	-	28	Flat washer 8×16×1.5	YW66081600000
11	Cooling water outlet copling	-	29	Spring washer 8mm	YW65008000100
12	Thermocouple oil type (short)	BE90100000150	30	Pump TP-37	BM20023450050
13	Oil outlet	-	31	Hexagon socket head cap screw M10×25	YW61102500000
14	Liquid level indicator base	BW20000001010	32	Flat washer 10	YW66102500000
15	Glass tube	YW70961400000	33	Spring washer 10	YW65010000000
16	Liauid level indicator male connector	BH12010406210	34	Hexagon nut M10	YW64001000300
17	Liquid level indicator screw	BH12060700110	35	Copper flared joint 3/4"H×1/2"PT×75	BH12030401110
18	Heating tank assembly	-			

\* means possible broken parts.

\*\* means easy broken part. and spare backup is suggested.

Please confirm the version of manual before placing the purchase order to guarantee that the item number of the spare part is in accordance with the real object.

### 2.2.3 Heating Tank Assembly (STM-405E)



Remarks: Please refer to material list 2.2.4 for specific explanation of the Arabic numbers in parts drawing.

Picture 2-4: Heating Tank Assembly (STM-405E)

## 2.2.4 Parts List (STM-405E)

Table 2-2: Parts List (STM-405E)

No.	Name	Parts No.	No.	Name	Parts No.
1	Cover plate of change-over switch	-	13	Heating tank	-
2	Microswitch	YE14152400000	14	Stainless steel pipe bundle 4.5"	YW02004500000
3	Screw M5	YW64000600000	15	Flat heat screw M6×10	YW62061000000
4	Flat head screw M5×30	YW60530000000	16	Screw 1/2PT	BH12010200510
5	Heat insulation gasket of liquid level indicator	YR10109000000	17	Heater set	-
6	Copper Teflon pipe coupling 1/4H×1/4PT	BH12010400410	18	Cooling pipe set	-
7	Nut M6	YW64000600300	19	Floating ball	-
8	Heater cover	BL80091000120	20	Heating tank wrapper sheet 1	-
9	Socket head cap screw M10×25	YW61102500000	21	Heating tank wrapper sheet 2	-
10	Flat washer 10×25	YW66102500000	22	Cooling tank wrapper sheet 1	-
11	Spring washer 10	YW65010000000	23	Cooling tank wrapper sheet 2	-
12	Flexible graphite washer 120×120×2.0mm	YR20121200000			

\* means possible broken parts.

\*\* means easy broken part. and spare backup is suggested.

Please confirm the version of manual before placing the purchase order to guarantee that the item number of the spare part is in accordance with the real object.