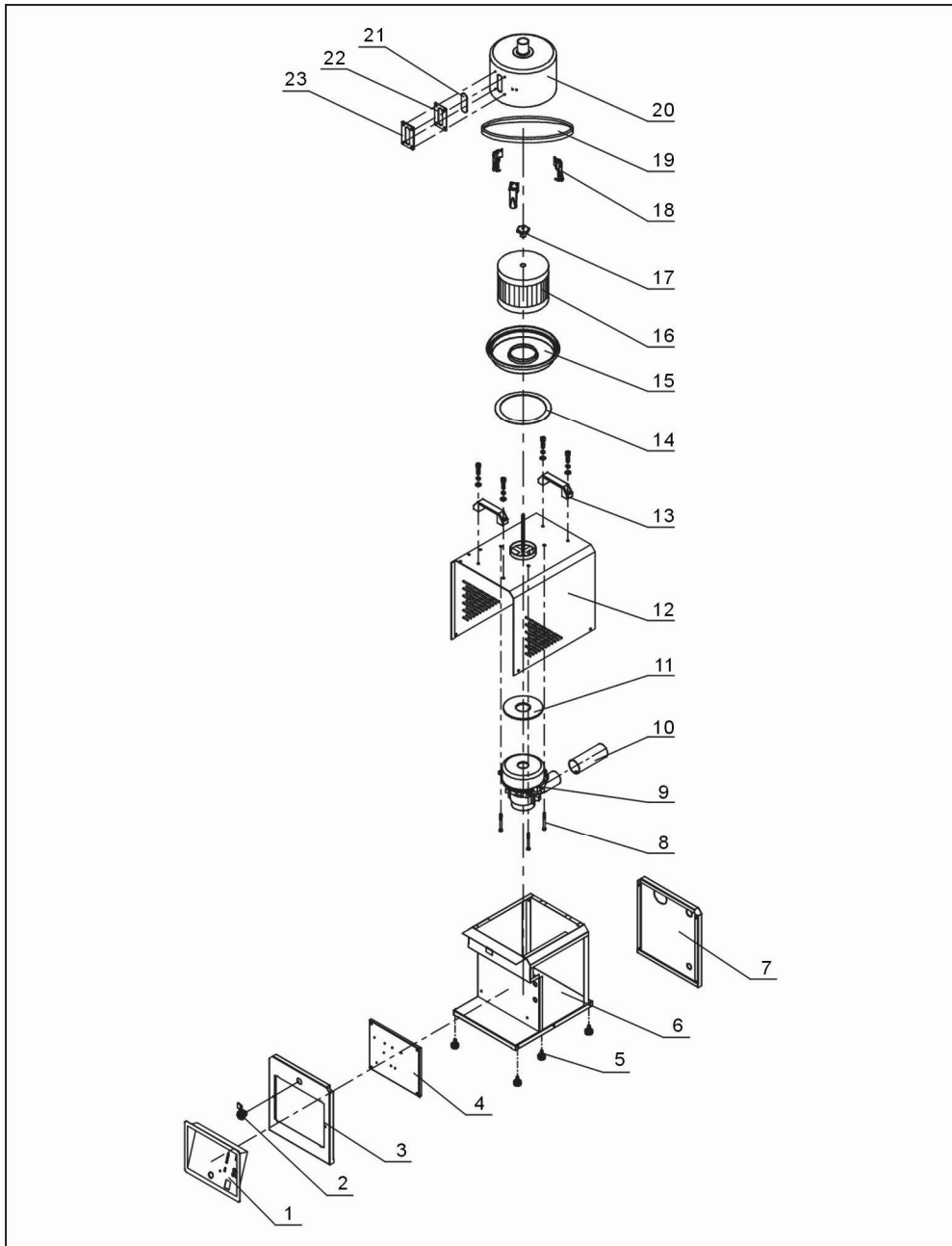


2. 分解零件图 Parts

2.1 SAL-700



2.2 SAL-700 分解零件表 Spare Parts List

| 序号 Nos. | 名称 | Component Name | 物料编号 Parts number |
|---------|---------|---------------------------------|----------------------|
| 1 | 面板 | Panel | YR4007000000 |
| 2 | 门锁 | Door lock | YW0000060000 |
| 3 | 门板 | Door plate | - |
| 4 | 电气固定板 | Electrical components fix plate | - |
| 5 | 脚垫 | Foor cushion | YR4030174000 |
| 6 | 外架组件 | Frame components | - |
| 7 | 后板 | Back plate | - |
| 8 | 内六角圆头螺钉 | Inner hexagon column screw | YW61066500100 |
| 9 | 碳刷马达 | Carbon brush motor | - |
| 10 | 排风管 | Air outlet pipe | - |
| 11 | 马达迫紧 | Motor fastener | YP62141200000 |
| 12 | 外罩 | Outside cover | - |
| 13 | 铝方型拉手 | Square aluminum handle | BW20012000040 |
| 14 | 自粘海绵迫紧 | Sponge Fastener | YP62141200000 |
| 15 | 过滤桶盖 | Filter cover | - |
| 16 | 过滤器 | Filter | YR50708000100 |
| 17 | 梅花螺母 | Octagon nut | YW09051600000 |
| 18 | 弹簧扣 | Spring buckle | YW02003000400 |
| 19 | 过滤桶迫紧 | Filter seal | YR10708000100 |
| 20 | 过滤桶 | Filter barrel | - |
| 21 | 四孔亚克力 | Four-hole acrylic | YR40001200100 |
| 22 | 四孔视料窗迫紧 | Four-hole visual window seal | YR40000400000 |
| 23 | 四孔视料窗铁片 | Four-hole visual window chip | BH90000400050 |

*表示可能损坏的项目；**表示较可能损坏的项目，建议备份。

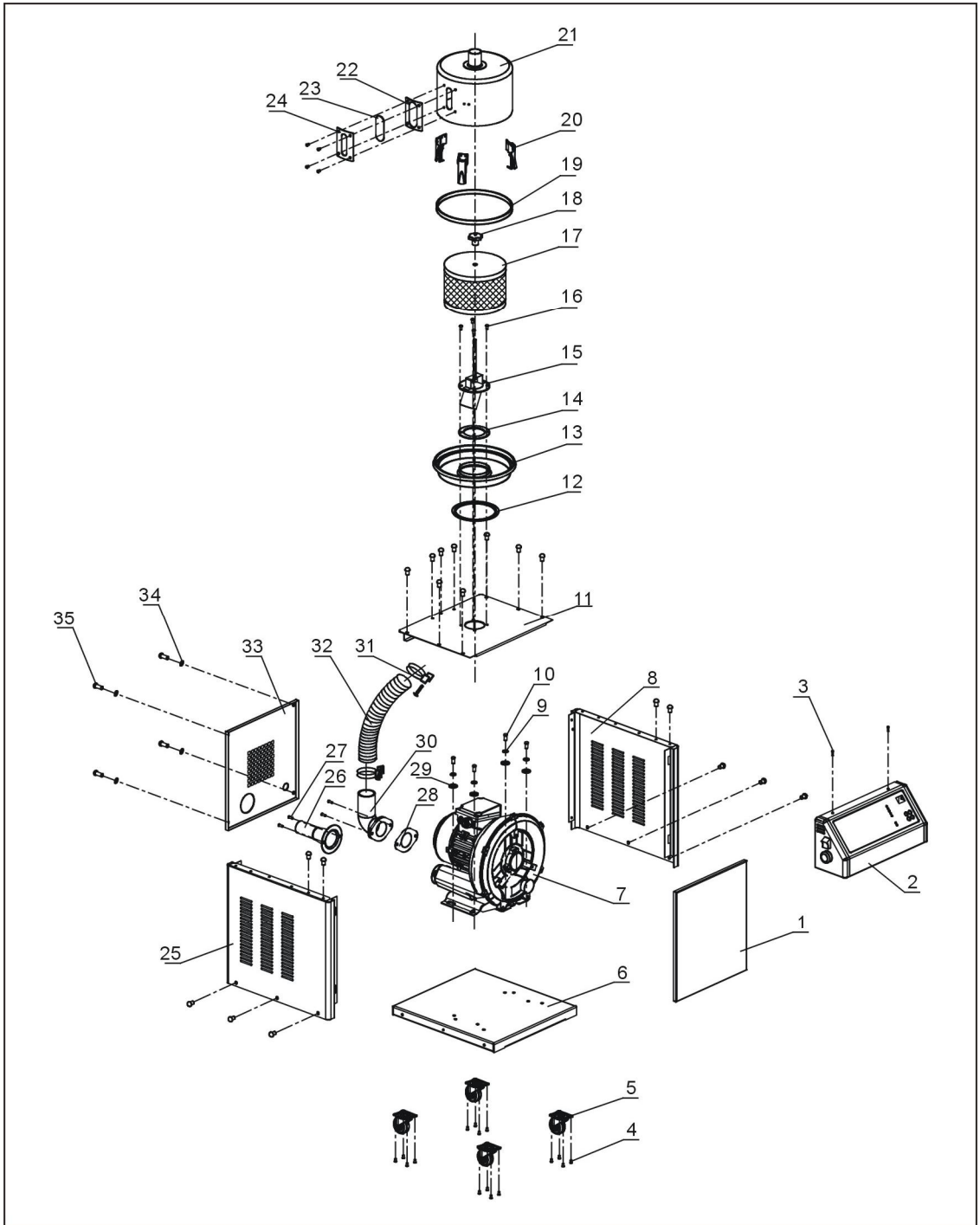
请在下单采购零配件之前，先确认说明书版本号，以确保零配件物料号与实物一致。

* means possible broken parts.

** means easy broken part. and spare backup is suggested.

Please confirm the version of manual before placing the purchase order to guarantee that the item number of the spare part is in accordance with the real object.

2.3 SAL-800G1/G2



2.4 SAL-800G1/G2 分解零件表 Spare Parts List

| 序号 Nos. | 名称 | Component Name | 物料编号 Parts number |
|---------|---------------|---|----------------------|
| 1 | 前板 | Front plate | BL20080000920 |
| 2 | 控制箱 | Control box | - |
| 3 | 十字槽盘头螺钉 M4×5 | Cross recessed pan head screw M4×5 | YW62040500000 |
| 4 | 十字槽盘头螺钉 M5×10 | Cross recessed pan head screw M5×10 | YW62051000100 |
| 5 | 万向轮 2" | Universal wheel 2" | YW03000200000 |
| 6 | 底板 | bottom plate | BL20080000020 |
| 7 | 信易风机 1HP | Shini blower 1HP | BM30031000150 |
| | 信易风机 2HP | Shini blower 2HP | BM30042000150 |
| 8 | 右侧板 | Right side plate | - |
| 9 | 弹簧垫圈 8 | Spring washer 8 | YW65008000000 |
| 10 | 六角头螺栓 M8×16 | Hexgon head screw M8×16 | YW60081600100 |
| 11 | 上面板 | Top plate | BL32080000000 |
| 12 | 迫紧* | Fastener * | YR10080000000 |
| 13 | 过滤桶盖 | Filter cover | BL20070000720 |
| 14 | 入料管迫紧 | Material inlet fastener | YR10243600000 |
| 15 | 过滤桶底座 | Filter base | - |
| 16 | 十字槽盘头螺钉 M6×10 | Cross recessed pan head screw M6×10 | YW62061000000 |
| 17 | 过滤器 | Filter | YR50708000100 |
| 18 | 梅花螺母 5/16" | Star nut 5/16" | YW09051600000 |
| 19 | 过滤桶迫紧** | Filter Fastener ** | YR10708000100 |
| 20 | 弹簧扣* | Snap hook* | YW02003000400 |
| 21 | 过滤桶 | Filter barrel | - |
| 22 | 四孔视料窗迫紧 | Four-hole fastener for sight glass window | YR40000400000 |
| 23 | 四孔压克力 | Four hole acryl | YR40001200100 |
| 24 | 四孔视料窗 | Four-hole sight glass window | YW09000000400 |
| 25 | 左侧板 | Left side plate | - |
| 26 | 排风管 1HP | Air exhaust pipe 1HP | YR40080000100 |
| | 排风管 2HP | Air exhaust pipe 2HP | YR40080000200 |
| 27 | 十字槽盘头螺钉 M6×15 | Cross recessed pan head screw M6×15 | YW63061500000 |
| 28 | 马达吸风口迫紧 1HP | Motor air inlet fastener 1HP | YR10001000000 |
| | 马达吸风口迫紧 2HP | Motor air inlet fastener 2HP | YR10002000000 |
| 29 | 平垫圈 8 | Flat gasket 8 | YW66082200000 |
| 30 | 吸风管弯头 1HP | Air suction pipe elbow 1HP | YR40004700000 |
| | 吸风管弯头 2HP | Air suction pipe elbow 2HP | YR40002000000 |
| 31 | 管束 2" * | Pipe clamp 2" * | YW02005700000 |

| 序号 Nos. | 名称 | Component Name | 物料编号 Parts number |
|---------|---------------|-----------------------------------|----------------------|
| 32 | 钢丝胶管 2" | Steel wire pipe 2" | YR60000200000 |
| 33 | 后板 | Rear plate | - |
| 34 | 平垫圈 6 | Flat gasket 6 | YW66061200000 |
| 35 | 十字槽盘头螺钉 M6×20 | Cross socket head cap screw M6×20 | YW63062000000 |

*表示可能损坏的项目；**表示较可能损坏的项目，建议备份。

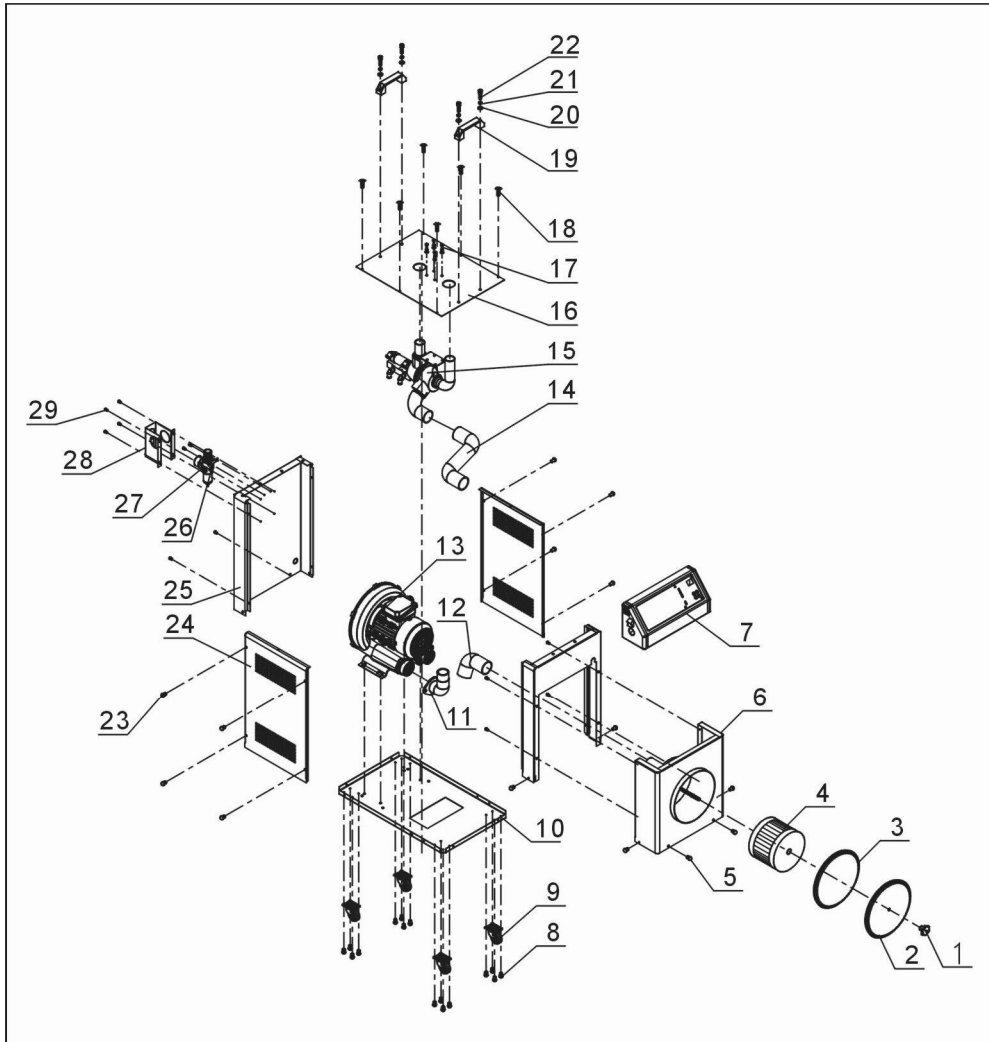
请在下单采购零配件之前，先确认说明书版本号，以确保零配件物料号与实物一致。

* means possible broken parts.

** means easy broken part. and spare backup is suggested.

Please confirm the version of manual before placing the purchase order to guarantee that the item number of the spare part is in accordance with the real object.

2.5 SAL-900G1/G2



2.6 SAL-900G1/G2 分解零件表 Spare Parts List

| 序号 Nos. | 名称 | Component Name | 物料编号 Parts number |
|---------|----------|--|----------------------|
| 1 | 控制箱 | Octagon nut | YW09051600000 |
| 2 | 过滤桶盖 | Filter cover | - |
| 3 | 过滤桶盖迫紧 | Filter cover seal | - |
| 4 | 过滤器 | Filter | - |
| 5 | 十字槽盘头螺钉 | Cruciform slot screw | YW64000300000 |
| 6 | 前板 | Front board | - |
| 7 | 控制箱 | Control box | - |
| 8 | 十字槽盘头螺钉 | Cruciform slot screw | YW62051000100 |
| 9 | 脚轮 | Truckle | YW03000200000 |
| 10 | 底座 | Base | - |
| 11 | 马达吸风管 | Motor suction tube | - |
| 12 | 钢丝螺纹管 1 | Steel wire threaded tubes 1 | YW90215000000 |
| 13 | 高压风机 1HP | High pressure bolwer 1HP | BM30031000150 |
| | 高压风机 2HP | High pressure bolwer 2HP | BM30042000050 |
| 14 | 钢丝螺纹管 2 | Steel wire threaded tubes 2 | YW90215000000 |
| 15 | 三通管 | Three-way tube | - |
| 16 | 盖板 | Cover | - |
| 17 | 六角头螺栓 | Hexagon screw bolt | YW60061200100 |
| 18 | 十字槽盘头螺钉 | Cruciform slot screw | YW64000300000 |
| 19 | 拉手 | Handle | BW20012000040 |
| 20 | 平垫圈 | Flat washer | YW66061300000 |
| 21 | 弹簧垫圈 | Spring washer | YW65006000000 |
| 22 | 内六角圆柱头螺栓 | The hexagonal bolts | YW61062000300 |
| 23 | 十字槽盘头螺钉 | Cruciform slot screw | YW61062000300 |
| 24 | 侧板 | Flank board | - |
| 25 | 后板 | Rear board | - |
| 26 | 过滤调压阀 | Filter & pressure regulating valve | YE30004200000 |
| 27 | 安装支架 | Mounting bracket | YE30421400000 |
| 28 | 过滤调压阀外罩 | Filter & pressure regulating valve cover | - |
| 29 | 十字槽盘头螺钉 | Cruciform slot screw | YW62051000100 |

*表示可能损坏的项目；**表示较可能损坏的项目，建议备份。

请在下单采购零配件之前，先确认说明书版本号，以确保零配件物料号与实物一致。

* means possible broken parts.

** means easy broken part. and spare backup is suggested.

Please confirm the version of manual before placing the purchase order to guarantee that the item number of the spare part is in accordance with the real object.