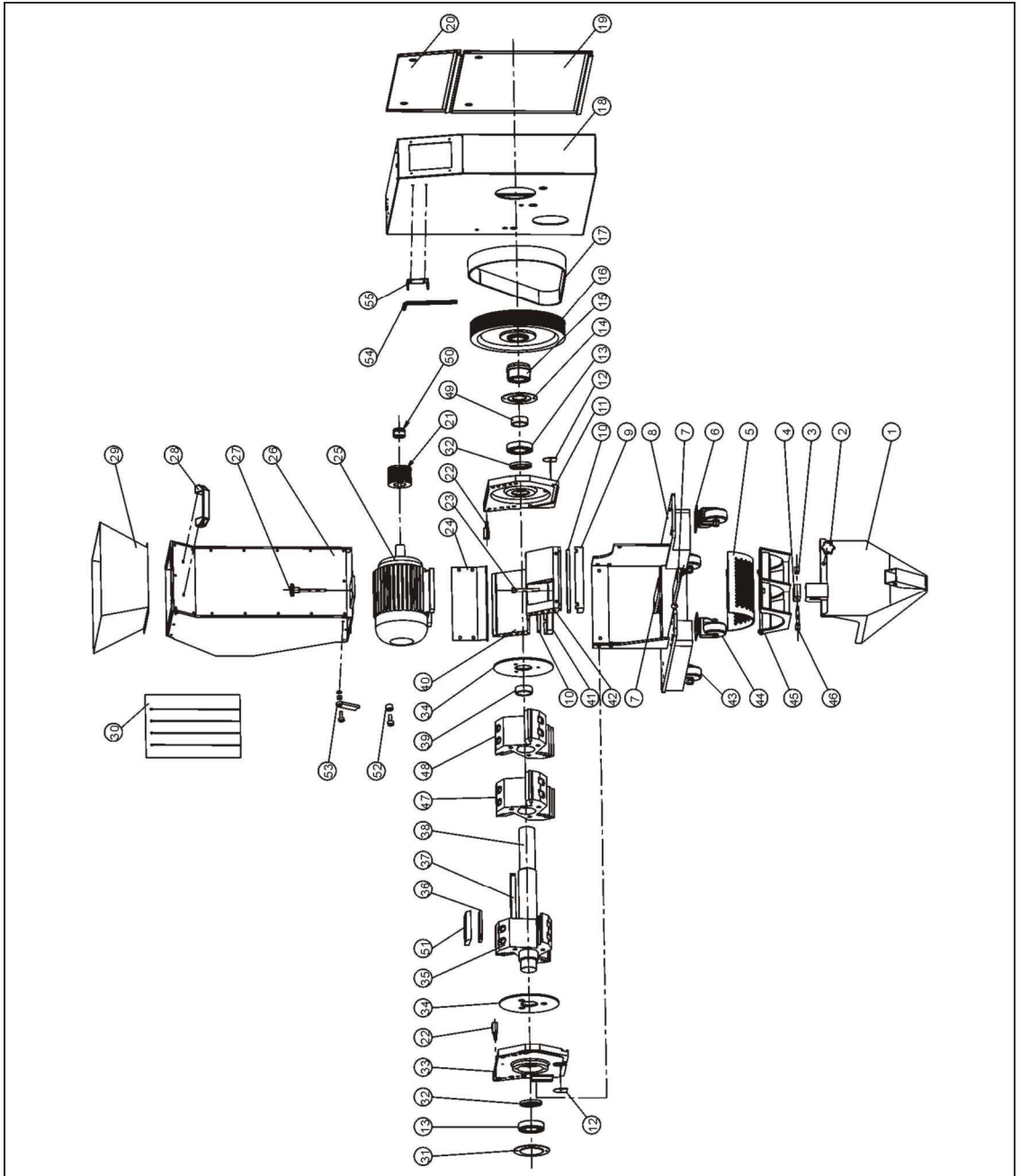


2.3 Assembly Drawing

2.3.1 Assembly Drawing (SG-1621N)



Note: Please refer to 2.3.2 material list about the parts code.

Picture 2-5: Assembly Drawing (SG-1621N)

2.3.2 Parts List (SG-1621N)

Table 2-1: Parts List (SG-1621N)

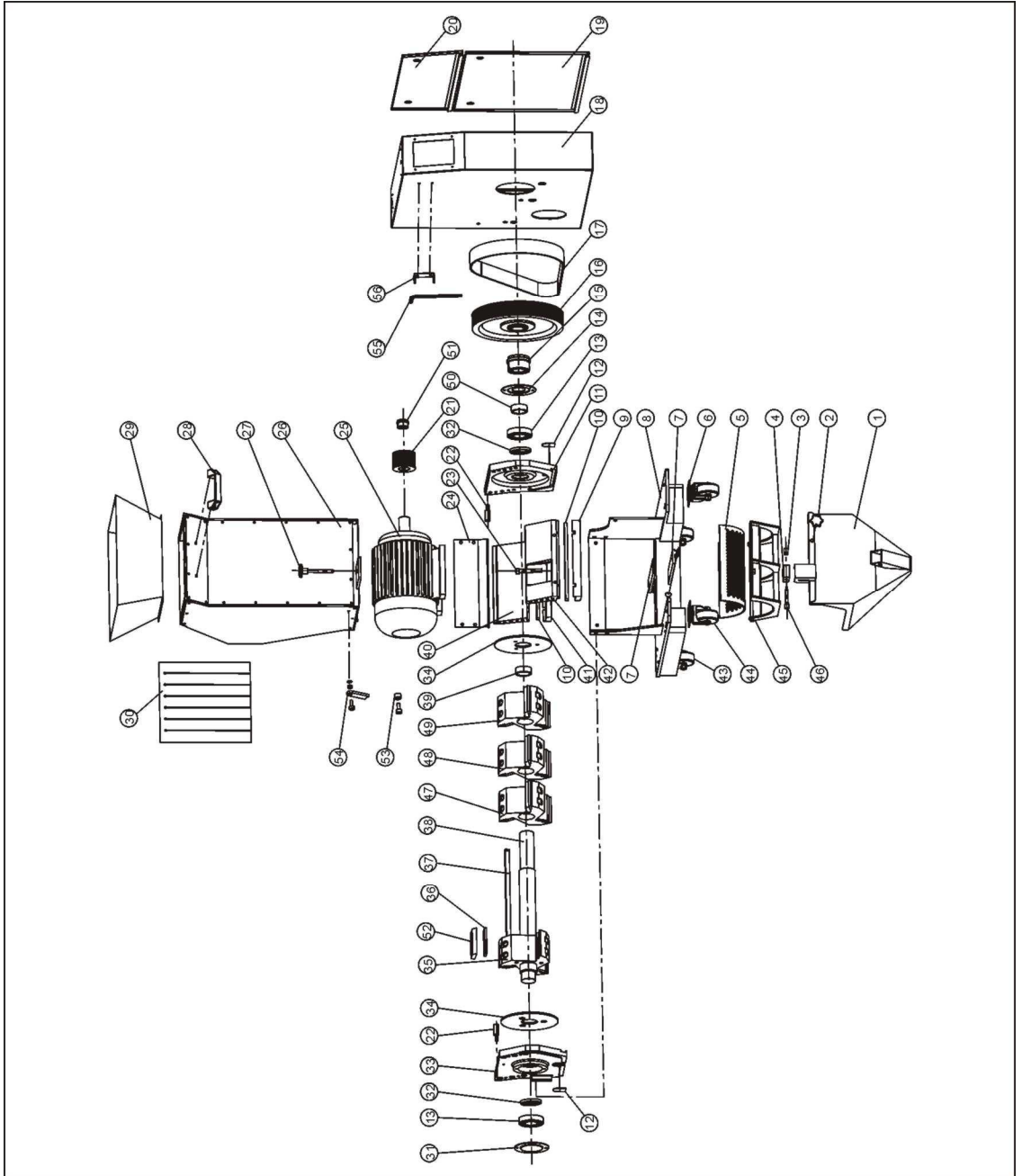
No.	Name	Part No.	No.	Name	Part No.
1	Storage box	-	26	Feeding box	-
2	Knob	YR40083500000	27	Star assembly of feeding box	BH10204202010
3	Safety switch knob	BH10024200010	28	Handle*	BW20012000140
4	Safety switch installation board	BH10204202310	29	Feeding mouth	-
5	Screen (Φ4)**	BL50162111620	30	Material fender	-
	Screen (Φ5)**	BL50162150020	31	Left bearing cover plate	-
	Screen (Φ6)**	BL50162111720	32	Oil seal	YR80554200000
	Screen (Φ7)**	BL50162103820	33	Left bearing plate	BW30162804120
	Screen (Φ10)**	BL50162131920	34	Material fender(65Mn)	YW45162850000
6	Screen (Φ12)**	BL50162131020	35	Blade rest(1)	BH11162850010
	Castor	YW03000300000	36	Rotating balde**	YW42162840000
7	Motor adjusting plate	-	37	Flat key 10X199	BH10162110010
8	Base	-	38	Shaft	BH55162100010
9	Front pressure block	BH10162104010	39	Sleeve	BH10161500010
10	Sustain brace**	YW42162100000	40	Back block	BH10162600010
11	Right end plate	BH10161600010	41	Pressure block of back block	BH10162500010
12	Bearing cover	-	42	Front block	BW30162104020
13	Bearing 6207DD*	YW11620700000	43	Fixed castor 3"	YW03000300300
14	Right bearing cover plate	-	44	Movable castor 3"	YW03000300200
15	Taper sleeve 3020-35	YW30203500000	45	Screen rest	-
16	Large belt wheel	YW30231900000	46	Safety switch installation shaft	BH10204300010
17	Poly V-belt 20PJ50 *	YW30205000000	47	Blade rest 1	BH10116100010
18	Outer shell	-	48	Blade rest (2)	BH11162110010
19	Outer cover board of shell	-	49	Sleeve 1	BH10162823010
20	Upper cover board of shell	-	50	Taper sleeve 1210-28	YW30121002800
21	Small belt pulley	YW30207800000	51	Press block for rotating blade	BH11162700010
22	Ratating shaft	BH10204100010	52	Limit stop sleeve	BH10162804110
23	Hex socket screw M12x80	YW61128000000	53	Limit stop	-
24	Check plate for storage box	-	54	Hex key M10	JT10010000100
25	Motor (1.5kW)	YM10710600300	55	Hex key fixing board	-

* means possible broken parts.

** means easy broken part. and spare backup is suggested.

Please confirm the version of manual before placing the purchase order to guarantee that the item number of the spare part is in accordance with the real object.

2.3.3 Assembly Drawing (SG-1628N)



Note: Please refer to 2.3.4 material list about the parts code.

Picture 2-6: Assembly Drawing (SG-1628N)

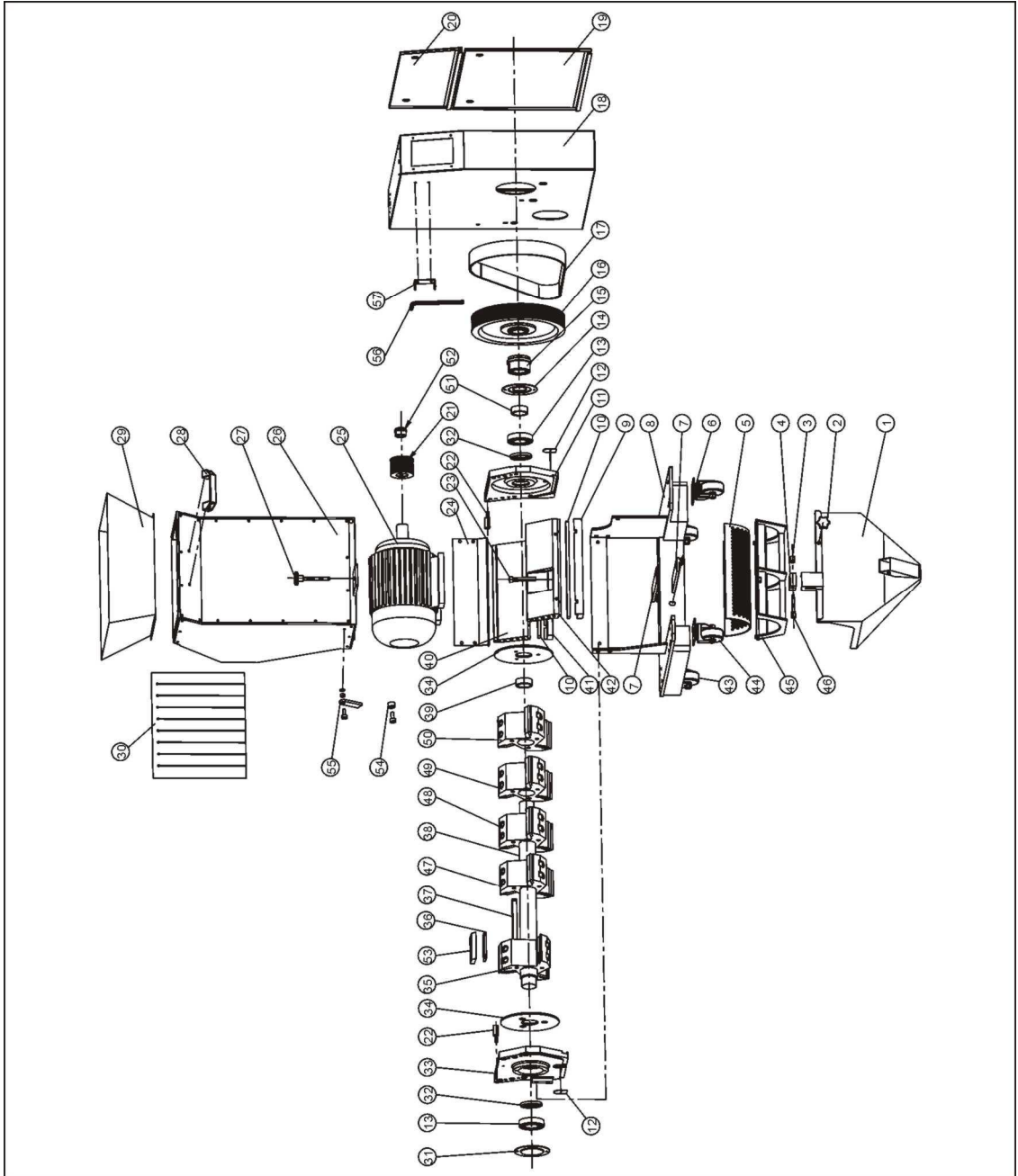
2.3.4 Parts List (SG-1628N)

Table 2-2: Parts List (SG-1628N)

No.	Name	Part No.	No.	Name	Part No.
1	Storage box	-	27	Star assembly of feeding box	BH10204202010
2	Knob	YR40083500000	28	Handle*	BW20012000140
3	Safety switch knob	BH10024200010	29	Feeding mouth	-
4	Safety switch installation board	BH10204202310	30	Material fender	-
5	Screen (Φ4)**	BL50162821820	31	Left bearing cover plate	-
	Screen (Φ5)**	BL50162860020	32	Oil seal	YR80554200000
	Screen (Φ6)**	BL50162821920	33	Left bearing plate	BW30162804120
	Screen (Φ8)**	BL50162821020	34	Material fender (65Mn)	YW45162850000
	Screen (Φ10)**	BL50162821120	35	Blade rest (1)	BH11162850010
	Screen (Φ12)**	BL50162821220	36	Rotating blade**	YW42162840000
6	Castor	YW03000300000	37	Flat key 10X268	BH10162810010
7	Motor adjusting plate	-	38	Shaft	BH55162600010
8	Base	-	39	Sleeve	BH10161500010
9	Front pressure block	BH10162804010	40	Back block	BH10162900010
10	Sustain brace**	YW41162820000	41	Pressure block of back block	BH10160280010
11	Right end plate	BH10161600010	42	Front block	BW30162804020
12	Bearing cover	-	43	Fixed castor 3"	YW03000300300
13	Bearing 6207DD*	YW11620700000	44	Movable castor 3"	YW03000300200
14	Right bearing cover plate	-	45	Screen rest	-
15	Taper sleeve 3020-35	YW30203500000	46	Safety switch installation shaft	BH10204300010
16	Large belt wheel	YW30231900000	47	Blade rest 1	BH10116100010
17	Poly V-belt 20PJ50 *	YW30205000000	48	Blade rest 2	BH10216200010
18	Outer shell	-	49	Blade rest (2)	BH11162810010
19	Outer cover board of shell	-	50	Sleeve 1	BH10162823010
20	Upper cover board of shell	-	51	Taper sleeve 1210-28	YW30121002800
21	Small belt pulley	YW30207800000	52	Press block for rotating blade	BH11162700010
22	Rotating shaft	BH10204100010	53	Limit stop sleeve	BH10162804110
23	Hex socket screw M12x80	YW61128000000	54	Limit stop	-
24	Check plate for storage box	-	55	Hex key M10	JT10010000100
25	Motor (2.2kW)	YM10692900000	56	Hex key fixing board	-
26	Feeding box	-			

* means possible broken parts. ** means easy broken part. and spare backup is suggested. Please confirm the version of manual before placing the purchase order to guarantee that the item number of the spare part is in accordance with the real object.

2.3.5 Assembly Drawing (SG-1635N(H))



Note: Please refer to 2.3.6 material list about the parts code.

Picture 2-7: Assembly Drawing (SG-1635N(H))

2.3.6 Parts List (SG-1635N(H))

Table 2-3: Parts List (SG-1635N)

No.	Name	Part No.	No.	Name	Part No.
1	Storage box	-	27	Star assembly of feeding box	BH10204202010
2	Knob	YR40083500000	28	Handle*	BW20012000140
3	Safety switch knob	BH10024200010	29	Feeding mouth	-
4	Safety switch installation board	BH10204202310	30	Material fender	-
5	Screen (Φ4)**	BL50163521620	31	Left bearing cover plate	-
	Screen (Φ5)**	BL50162050020	32	Oil seal	YR80554200000
	Screen (Φ6)**	BL50163521720	33	Left bearing plate	BW30162804120
	Screen (Φ8)**	BL50163521820	34	Material fender (65Mn)	YW45162850000
	Screen (Φ10)**	BL50163521920	35	Blade rest (1)	BH11162850010
	Screen (Φ12)**	BL50163521020	36	Rotating balde**	YW42162840000
6	Castor	YW03000300000	37	Flat key 10X337	BH10163510010
7	Motor adjusting plate	-	38	Shaft	BH55163500010
8	Base	-	39	Sleeve	BH10161500010
9	Front pressure block	BH10163504010	40	Back block	BH10163560010
10	Sustain brace**	YW41163520000	41	Pressure block of back block	BH10163550010
11	Right end plate	BH10161600010	42	Front block	BW30163504020
12	Bearing cover	-	43	Fixed castor 3"	YW03000300300
13	Bearing 6207DD*	YW11620700000	44	Movable castor 3"	YW03000300200
14	Right bearing cover plate	-	45	Screen rest	-
15	Taper sleeve 3020-35	YW30203500000	46	Safety switch installation shaft	BH10204300010
16	Large belt wheel	YW30231900000	47	Blade rest 1	BH10116100010
17	Poly V-belt 20PJ50 *	YW30205000000	48	Blade rest 2	BH10216200010
18	Outer shell	-	49	Blade rest 3	BH10316300010
19	Outer cover board of shell	-	50	Blade rest (2)	BH11162050010
20	Upper cover board of shell	-	51	Sleeve 1	BH10162823010
21	Small belt pulley	YW30207800000	52	Taper sleeve 1210-28	YW30121002800
22	Ratating shaft	BH10204100010	53	Press block for rotating blade	BH11162700010
23	Hex socket screw M12x80	YW61128000000	54	Limit stop sleeve	BH10162804110
24	Check plate for storage box	-	55	Limit stop	-
25	Motor (2.2kW)	YM10692900000	56	Hex key M10	JT10010000100
26	Feeding box	-	57	Hex key fixing board	-

* means possible broken parts. ** means easy broken part. and spare backup is suggested. Please confirm the version of manual before placing the purchase order to guarantee that the item number of the spare part is in accordance with the real object.

Table 2-4: Parts List (SG-1635NH)

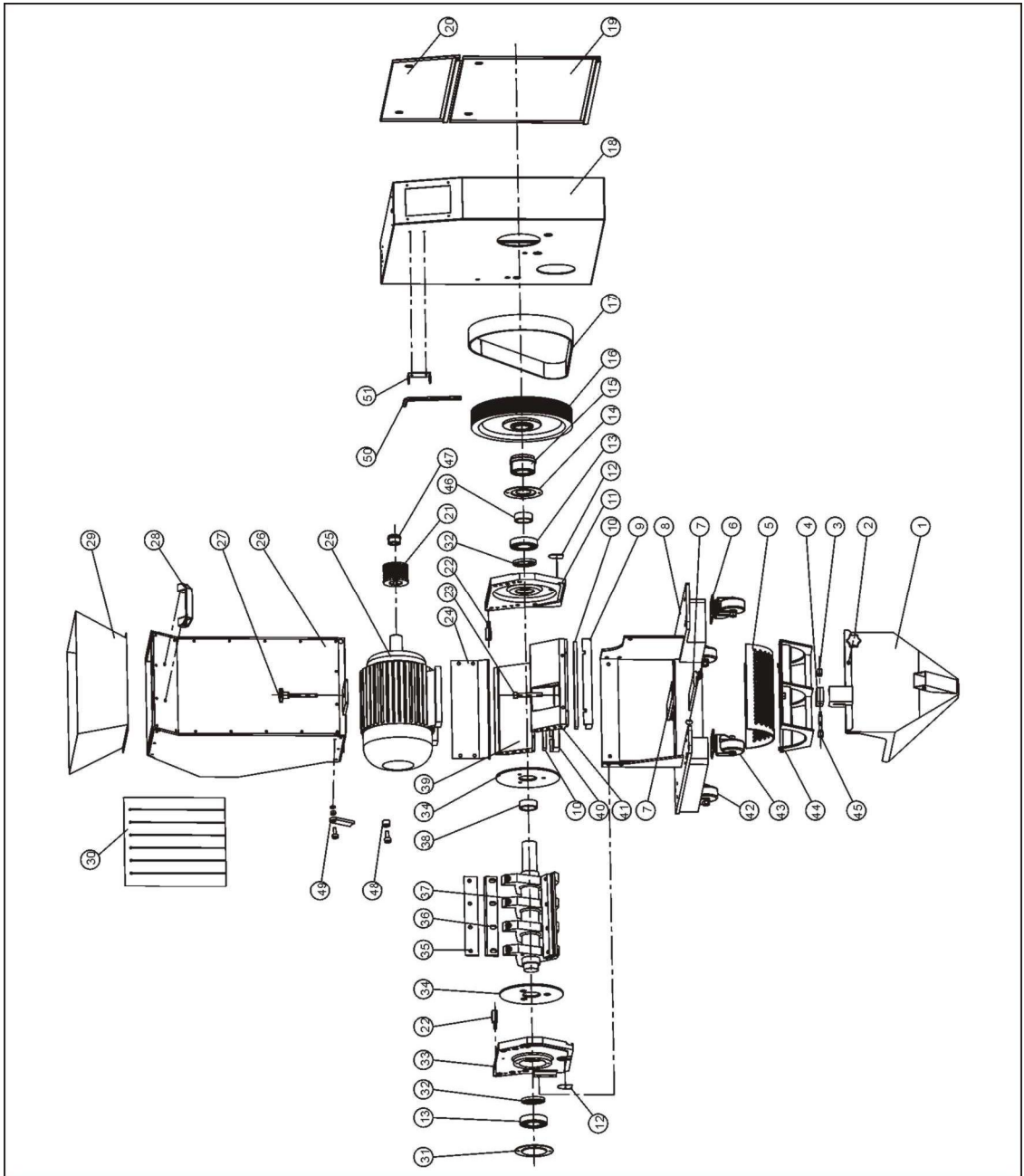
No.	Name	Part No.	No.	Name	Part No.
1	Storage box	-	27	Star assembly of feeding box	BH10204202010
2	Knob	YR40083500000	28	Handle*	BW20012000140
3	Safety switch knob	BH10024200010	29	Feeding mouth	-
4	Safety switch installation board	BH10204202310	30	Material fender	-
5	Screen (Φ4)**	BL50163521620	31	Left bearing cover plate	-
	Screen (Φ5)**	BL50162050020	32	Oil seal	YR80554200000
	Screen (Φ6)**	BL50163521720	33	Left bearing plate	BW30162804120
	Screen (Φ8)**	BL50163521820	34	Material fender (65Mn)	YW45162850000
	Screen (Φ10)**	BL50163521920	35	Blade rest (1)	BH11162850010
	Screen (Φ12)**	BL50163521020	36	Rotating blade**	YW42162840000
6	Castor	YW03000300000	37	Flat key 10X337	BH10163510010
7	Motor adjusting plate	-	38	Shaft	BH55163500010
8	Base	-	39	Sleeve	BH10161500010
9	Front pressure block	BH10163504010	40	Back block	BH10163560010
10	Sustain brace**	YW41163520000	41	Pressure block of back block	BH10163550010
11	Right end plate	BH10161600010	42	Front block	BW30163504020
12	Bearing cover	-	43	Fixed castor 3"	YW03000300300
13	Bearing 6207DD*	YW11620700000	44	Movable castor 3"	YW03000300200
14	Right bearing cover plate	-	45	Screen rest	-
15	Taper sleeve 3020-35	YW30203500000	46	Safety switch installation shaft	BH10204300010
16	Large belt wheel	YW30231900000	47	Blade rest 1	BH10116100010
17	Poly V-belt 20PJ50 *	YW30205000000	48	Blade rest 2	BH10216200010
18	Outer shell	-	49	Blade rest 3	BH10316300010
19	Outer cover board of shell	-	50	Blade rest (2)	BH11162050010
20	Upper cover board of shell	-	51	Sleeve 1	BH10162823010
21	Small belt pulley	YW30209800000	52	Taper sleeve 1610-38	YW30163800000
22	Rotating shaft	BH10204100010	53	Press block for rotating blade	BH11162700010
23	Hex socket screw M12x80	YW61128000000	54	Limit stop sleeve	BH10162804110
24	Check plate for storage box	-	55	Limit stop	-
25	Motor (3.0kW)	YM10361900000	56	Hex key M10	JT10010000100
26	Feeding box	-	57	Hex key fixing board	-

* means possible broken parts.

** means easy broken part. and spare backup is suggested.

Please confirm the version of manual before placing the purchase order to guarantee that the item number of the spare part is in accordance with the real object.

2.3.7 Assembly Drawing (SG-2028N(H))



Note: Please refer to 2.3.8 material list about the parts code.

Picture 2-8: Assembly Drawing (SG-2028N(H))

2.3.8 Parts List (SG-2028N(H))

Table 2-5: Parts List (SG-2028N)

No.	Name	Part No.	No.	Name	Part No.
1	Material collection case	-	24	Check plate for storage box	-
2	Handle	YR40083500000	25	Motor (2.2kW)	YM10692900000
3	Safety switch handle	BH10024200010	26	Feeding box	-
4	Safety switch installation board	BH10204202310	27	Star assembly of feeding box	BH10204202010
5	Screen (Φ4)**	BL50202810620	28	Handle *	BW20012000140
	Screen (Φ5)**	BL50202810720	29	Feeding mouth	-
	Screen (Φ6)**	BL55202850020	30	Material fender	-
	Screen (Φ7)**	BL50202810820	31	Cover board of left bearing plate	-
	Screen (Φ8)**	BL50202810920	32	Oil seal	YR80557200000
	Screen (Φ10)**	BL50202811020	33	Left bearing plate	BW30204204120
	Screen (Φ12)**	BL50202811120	34	Material fender (65Mn)	BH11020020010
6	Castor with brake 3"	YW03000300000	35	Pressure block of balde	BH11202850010
7	Adjusting board for motor	-	36	Rotating blade**	YW43202800000
8	Motor base	-	37	Blade rest	BH11002028010
9	Pressure block of front block	BH10202804010	38	Sleeve	BH10204500010
10	Fixed balde**	YW41202800000	39	Pressure block	BH10020208010
11	Right bearing holder	BH10204600010	40	Pressure block of back block	BH10020270010
12	Cover board	-	41	Front block	BW30202804020
13	Bearing 6209DD*	YW11620900000	42	Fixed castor 3"	YW03000300300
14	Right bearing cover plate	-	43	Movable castor 3"	YW03000300200
15	Taper sleeve 3020-45	YW30302450000	44	Screen rest	-
16	Large belt wheel	YW30231900000	45	Safety switch installation shaft	BH10204300010
17	Poly V-belt 20PJ53 *	YR00532000000	46	Sleeve 1	BH10204203010
18	Out housing	-	47	Taper sleeve 1610-28	YW30162800200
19	Lower cover board of shell	-	48	Limit stop sleeve	BH10162804110
20	Upper cpver board of shell	-	49	Limit stop	-
21	Small belt pulley	YW30209800000	50	Hex key M10	JT10010000100
22	Rotating shaft	BH10204100010	51	Hex key fixing board	-
23	Hex socket screw M12x80	YW61128000000			

* means possible broken parts.

** means easy broken part. and spare backup is suggested.

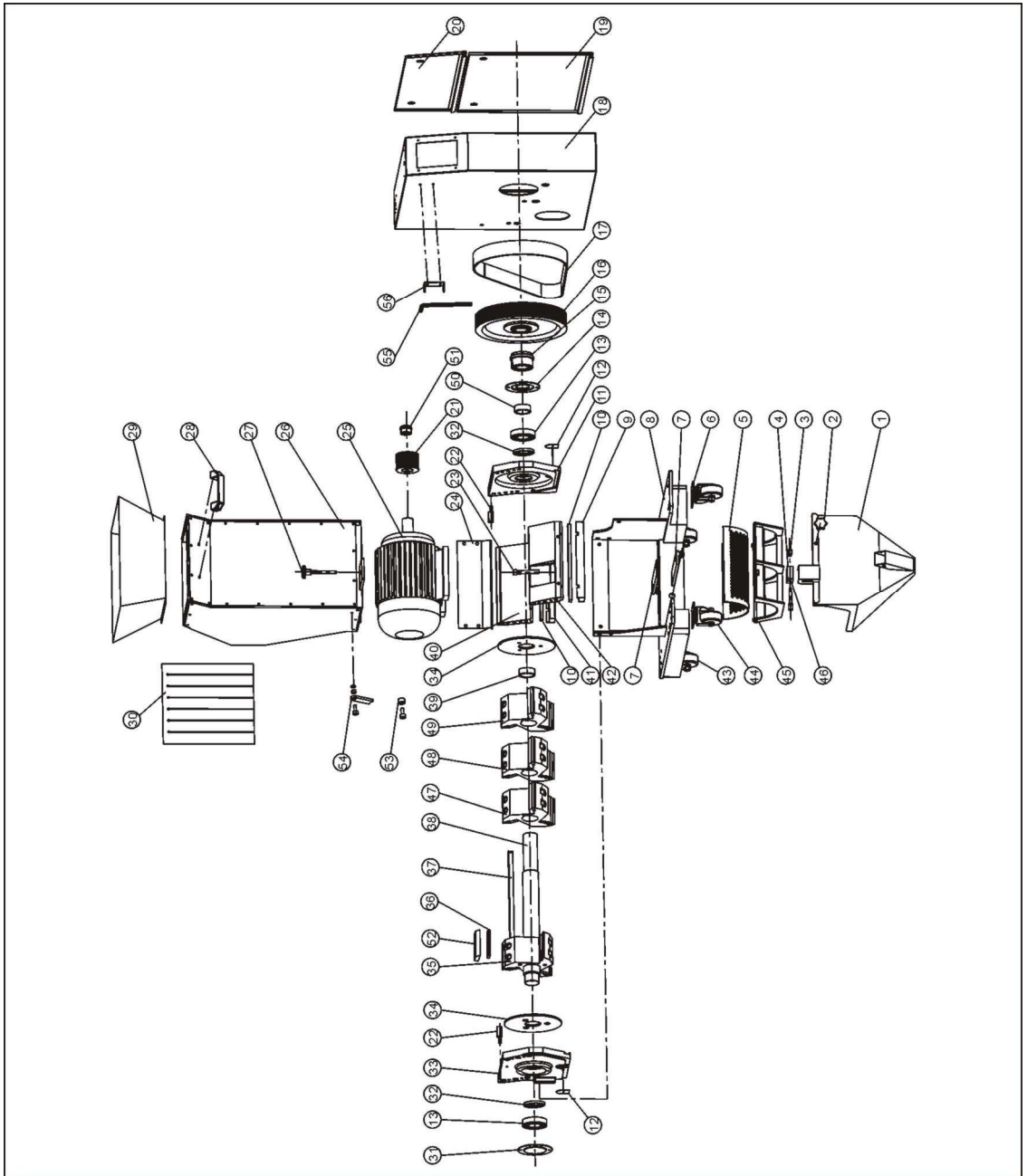
Please confirm the version of manual before placing the purchase order to guarantee that the item number of the spare part is in accordance with the real object.

Table 2-6: Parts List (SG-2028NH)

No.	Name	Part No.	No.	Name	Part No.
1	Material collection case	-	24	Check plate for storage box	-
2	Handle	YR40083500000	25	Motor (3.0kW)	YM10361900000
3	Safety switch handle	BH10024200010	26	Feeding box	-
4	Safety switch installation board	BH10204202310	27	Star assembly of feeding box	BH10204202010
5	Screen (Φ4)**	BL50202810620	28	Handle *	BW20012000140
	Screen (Φ5)**	BL50202810720	29	Feeding mouth	-
	Screen (Φ6)**	BL55202850020	30	Material fender	-
	Screen (Φ7)**	BL50202810820	31	Cover board of left bearing plate	-
	Screen (Φ8)**	BL50202810920	32	Oil seal	YR80557200000
	Screen (Φ10)**	BL50202811020	33	Left bearing plate	BW30204204120
	Screen (Φ12)**	BL50202811120	34	Material fender (65Mn)	BH11020020010
6	Castor with brake 3"	YW03000300000	35	Pressure block of balde	BH11202850010
7	Adjusting board for motor	-	36	Rotating blade**	YW43202800000
8	Motor base	-	37	Blade rest	BH11002028010
9	Pressure block of front block	BH10202804010	38	Sleeve	BH10204500010
10	Fixed balde**	YW41202800000	39	Pressure block	BH10020208010
11	Right bearing holder	BH10204600010	40	Pressure block of back block	BH10020270010
12	Cover board	-	41	Front block	BW30202804020
13	Bearing 6209DD*	YW11620900000	42	Fixed castor 3"	YW03000300300
14	Right bearing cover plate	-	43	Movable castor 3"	YW03000300200
15	Taper sleeve 3020-45	YW30302450000	44	Screen rest	-
16	Large belt wheel	YW30231900000	45	Safety switch installation shaft	BH10204300010
17	Poly V-belt 20PJ53 *	YR00532000000	46	Sleeve 1	BH10204203010
18	Out housing	-	47	Taper sleeve 1610-38	YW30163800000
19	Lower cover board of shell	-	48	Limit stop sleeve	BH10162804110
20	Upper cpver board of shell	-	49	Limit stop	-
21	Small belt pulley	YW30209800000	50	Hex key M10	JT10010000100
22	Rotating shaft	BH10204100010	51	Hex key fixing board	-
23	Hex socket screw M12x80	YW61128000000			

* means possible broken parts. ** means easy broken part. and spare backup is suggested. Please confirm the version of manual before placing the purchase order to guarantee that the item number of the spare part is in accordance with the real object.

2.3.9 Assembly Drawing (SG-2028NC(H))



Note: Please refer to 2.3.10 material list about the parts code.

Picture 2-9: Assembly Drawing (SG-2028NC(H))

2.3.10 Parts List (SG-2028NC(H))

Table 2-7: Parts List (SG-2028NC)

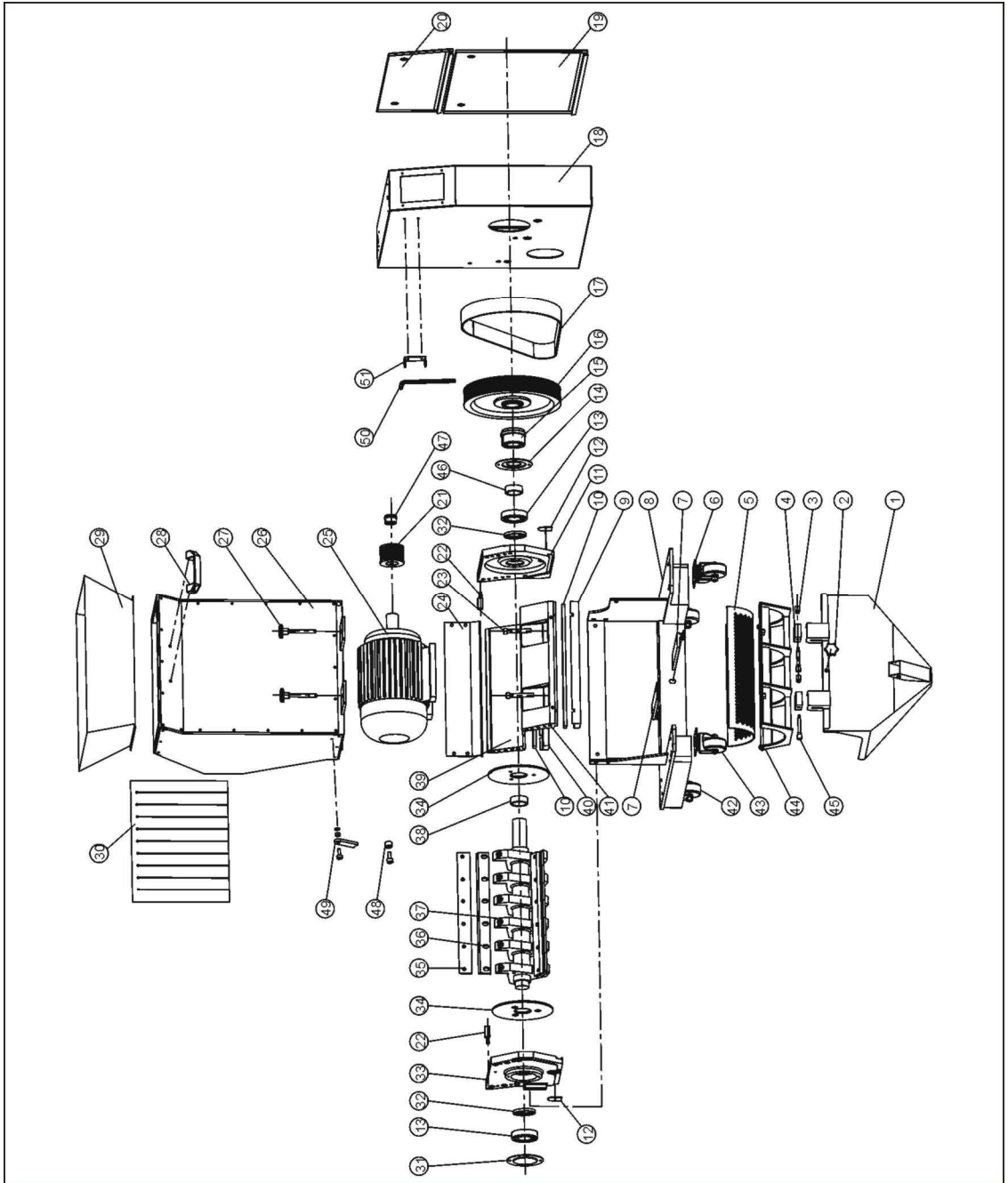
No.	Name	Part No.	No.	Name	Part No.
1	Material collection case	-	26	Feeding box	-
2	Handle	YR40083500000	27	Star assembly of feeding box	BH10204202010
3	Safety switch handle	BH10024200010	28	Handle *	BW20012000140
4	Safety switch installation board	BH10204202310	29	Feeding mouth	-
5	Screen (Φ4)**	BL50202810620	30	Material fender	-
	Screen (Φ5)**	BL50202810720	31	Cover board of left bearing plate	-
	Screen (Φ6)**	BL55202850020	32	Oil seal	YR80557200000
	Screen (Φ7)**	BL50202810820	33	Left bearing plate	BW30204204120
	Screen (Φ8)**	BL50202810920	34	Material fender (65Mn)	BH11020020010
	Screen (Φ10)**	BL50202811020	35	Blade rest 1	BW30200320010
6	Castor with brake 3"	YW03000300000	36	Rotating blade**	BW41200100010
7	Adjusting board for motor	-	37	Flat key 14X267	BH11202800310
8	Motor base	-	38	Shaft	BH11202810010
9	Pressure block of front block	BH10202804010	39	Sleeve	BH10204500010
10	Fixed balde**	YW41202800000	40	Pressure block	BH10020208010
11	Right bearing holder	BH10204600010	41	Pressure block of back block	BH10020270010
12	Cover board	-	42	Front block	BW30202804020
13	Bearing 6209DD*	YW11620900000	43	Fixed castor 3"	YW03000300300
14	Right bearing cover plate	-	44	Movable castor 3"	YW03000300200
15	Taper sleeve 3020-45	YW30302450000	45	Screen rest	-
16	Large belt wheel	YW30231900000	46	Safety switch installation shaft	BH10204300010
17	Poly V-belt 20PJ53 *	YR00532000000	47	Blade rest 2	BW30202420010
18	Out housing	-	48	Blade rest 3	BW30200520010
19	Lower cover board of shell	-	49	Blade rest 4	BW30202800210
20	Upper cpver board of shell	-	50	Sleeve 1	BH10204203010
21	Small belt pulley	YW30209800000	51	Taper sleeve 1610-28	YW30162800200
22	Rotating shaft	BH10204100010	52	Press block for rotating blade	BH10235200010
23	Hex socket screw M12x80	YW61128000000	53	Limit stop sleeve	BH10162804110
24	Check plate for storage box	-	54	Limit stop	-
25	Motor (2.2kW)	YM10692900000	55	Hex key M10	JT10010000100
			56	Hex key fixing board	-

Table 2-8: Parts List (SG-2028NCH)

No.	Name	Part No.	No.	Name	Part No.
1	Material collection case	-	26	Feeding box	-
2	Handle	YR40083500000	27	Star assembly of feeding box	BH10204202010
3	Safety switch handle	BH10024200010	28	Handle *	BW20012000140
4	Safety switch installation board	BH10204202310	29	Feeding mouth	-
5	Screen (Φ4)**	BL50202810620	30	Material fender	-
	Screen (Φ5)**	BL50202810720	31	Cover board of left bearing plate	-
	Screen (Φ6)**	BL55202850020	32	Oil seal	YR80557200000
	Screen (Φ7)**	BL50202810820	33	Left bearing plate	BW30204204120
	Screen (Φ8)**	BL50202810920	34	Material fender (65Mn)	BH11020020010
	Screen (Φ10)**	BL50202811020	35	Blade rest 1	BW30200320010
	Screen (Φ12)**	BL50202811120	36	Rotating blade**	BW41200100010
6	Castor with brake 3”	YW03000300000	37	Flat key 14X267	BH11202800310
7	Adjusting board for motor	-	38	Shaft	BH11202810010
8	Motor base	-	39	Sleeve	BH10204500010
9	Pressure block of front block	BH10202804010	40	Pressure block	BH10020208010
10	Fixed balde**	YW41202800000	41	Pressure block of back block	BH10020270010
11	Right bearing holder	BH10204600010	42	Front block	BW30202804020
12	Cover board	-	43	Fixed castor 3”	YW03000300300
13	Bearing 6209DD*	YW11620900000	44	Movable castor 3”	YW03000300200
14	Right bearing cover plate	-	45	Screen rest	-
15	Taper sleeve 3020-45	YW30302450000	46	Safety switch installation shaft	BH10204300010
16	Large belt wheel	YW30231900000	47	Blade rest 2	BW30202420010
17	Poly V-belt 20PJ53 *	YR00532000000	48	Blade rest 3	BW30200520010
18	Out housing	-	49	Blade rest 4	BW30202800210
19	Lower cover board of shell	-	50	Sleeve 1	BH10204203010
20	Upper cpver board of shell	-	51	Taper sleeve 1610-38	YW30163800000
21	Small belt pulley	YW30209800000	52	Press block for rotating blade	BH10235200010
22	Rotating shaft	BH10204100010	53	Limit stop sleeve	BH10162804110
23	Hex socket screw M12x80	YW61128000000	54	Limit stop	-
24	Check plate for storage box	-	55	Hex key M10	JT10010000100
25	Motor (3.0kW)	YM10361900000	56	Hex key fixing board	-

* means possible broken parts. ** means easy broken part. and spare backup is suggested. Please confirm the version of manual before placing the purchase order to guarantee that the item number of the spare part is in accordance with the real object.

2.3.11 Assembly Drawing (SG-2042N(H))



Note: Please refer to 2.3.12 material list about the parts code.

Picture 2-10: Assembly Drawing (SG-2042N(H))

2.3.12 Parts List (SG-2042N(H))

Table 2-9: Parts List (SG-2042N)

No.	Name	Part No.	No.	Name	Part No.
1	Material collection case	-	24	Check plate for storage box	-
2	Handle	YR40083500000	25	Motor (3.0kW)	YM10361900000
3	Safety switch handle	BH10024200010	26	Feeding box	-
4	Safety switch installation board	BH10204202310	27	Star assembly of feeding box	BH10204202010
5	Screen (Φ4)**	BL50202811620	28	Handle *	BW20012000140
	Screen (Φ5)**	BL50202811720	29	Feeding mouth	-
	Screen (Φ6)**	BL55204260020	30	Material fender	-
	Screen (Φ7)**	BL50202811820	31	Cover board of left bearing plate	-
	Screen (Φ8)**	BL50202811920	32	Oil seal	YR80557200000
	Screen (Φ10)**	BL50202812020	33	Left bearing plate	BW30204204120
	Screen (Φ12)**	BL50202812120	34	Material fender (65Mn)	BH11020020010
6	Castor with brake 3"	YW03000300000	35	Pressure block of balde	BH11204250010
7	Adjusting board for motor	-	36	Rotating blade**	YW43204200000
8	Motor base	-	37	Blade rest	BH11204260010
9	Pressure block of front block	BH10204202110	38	Sleeve	BH10204500010
10	Fixed balde**	YW41041900000	39	Pressure block	BH10204290010
11	Right bearing holder	BH10204600010	40	Pressure block of back block	BH10024280010
12	Cover board	-	41	Front block	BH10204202210
13	Bearing 6209DD*	YW11620900000	42	Fixed castor 3"	YW03000300300
14	Right bearing cover plate	-	43	Movable castor 3"	YW03000300200
15	Taper sleeve 3020-45	YW30302450000	44	Screen rest	-
16	Large belt wheel	YW30231900000	45	Safety switch installation shaft	BH10204300010
17	Poly V-belt 20PJ53 *	YW30253300000	46	Sleeve 1	BH10204203010
18	Out housing	-	47	Taper sleeve 1610-38	YW30163800000
19	Lower cover board of shell	-	48	Limit stop sleeve	BH10162804110
20	Upper cpver board of shell	-	49	Limit stop	-
21	Small belt pulley	YW30209800000	50	Hex key M10	JT10010000100
22	Rotating shaft	BH10204100010	51	Hex key fixing board	-
23	Hex socket screw M12x80	YW61128000000			

* means possible broken parts.

** means easy broken part. and spare backup is suggested.

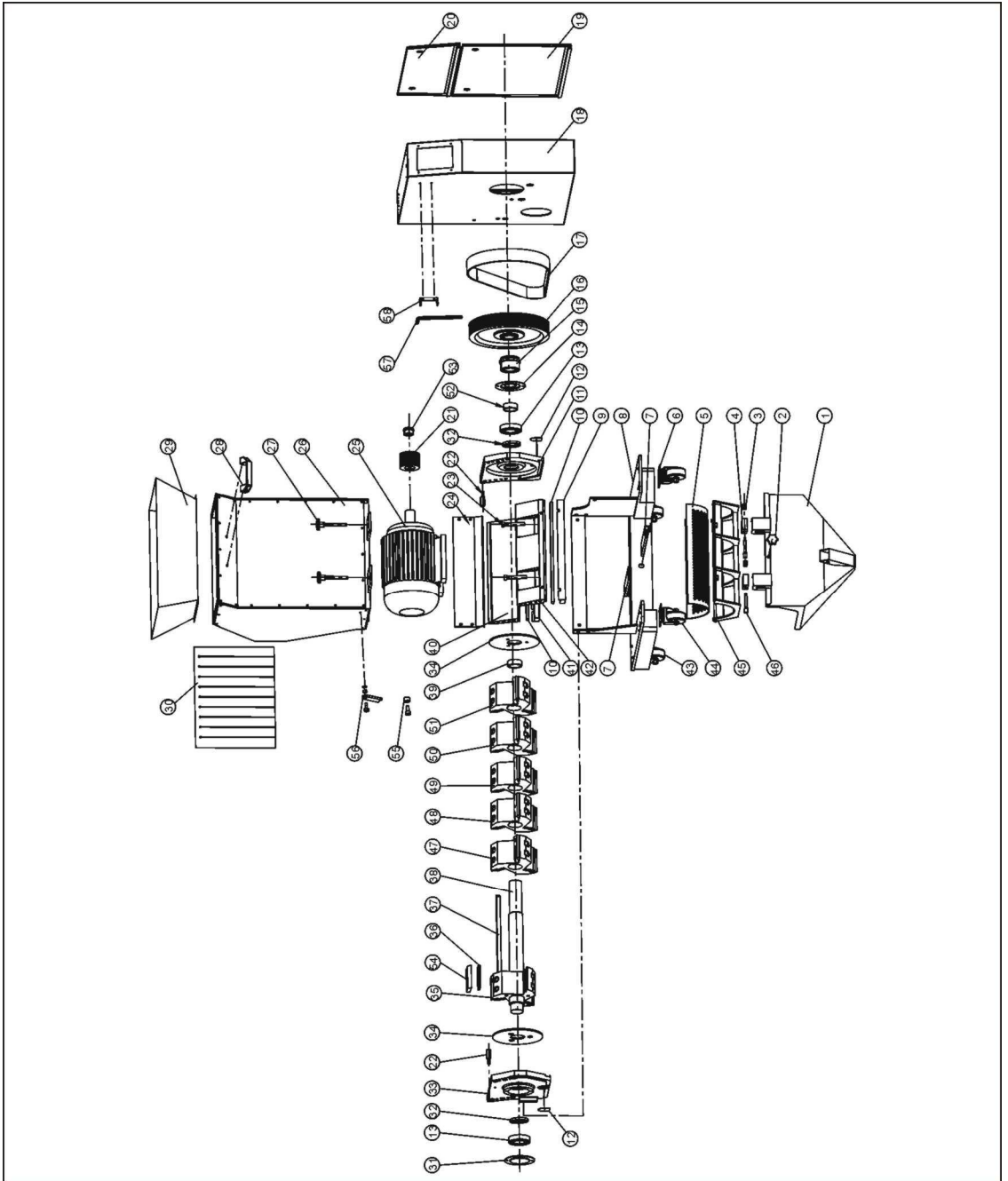
Please confirm the version of manual before placing the purchase order to guarantee that the item number of the spare part is in accordance with the real object.

Table 2-10: Parts List (SG-2042NH)

No.	Name	Part No.	No.	Name	Part No.
1	Material collection case	-	24	Check plate for storage box	-
2	Handle	YR40083500000	25	Motor (4.0kW)	YM10113300000
3	Safety switch handle	BH10024200010	26	Feeding box	-
4	Safety switch installation board	BH10204202310	27	Star assembly of feeding box	BH10204202010
5	Screen (Φ4)**	BL50202811620	28	Handle *	BW20012000140
	Screen (Φ5)**	BL50202811720	29	Feeding mouth	-
	Screen (Φ6)**	BL55204260020	30	Material fender	-
	Screen (Φ7)**	BL50202811820	31	Cover board of left bearing plate	-
	Screen (Φ8)**	BL50202811920	32	Oil seal	YR80557200000
	Screen (Φ10)**	BL50202812020	33	Left bearing plate	BW30204204120
	Screen (Φ12)**	BL50202812120	34	Material fender (65Mn)	BH11020020010
6	Castor with brake 3"	YW03000300000	35	Pressure block of balde	BH11204250010
7	Adjusting board for motor	-	36	Rotating blade**	YW43204200000
8	Motor base	-	37	Blade rest	BH11204260010
9	Pressure block of front block	BH10204202110	38	Sleeve	BH10204500010
10	Fixed balde**	YW41041900000	39	Pressure block	BH10204290010
11	Right bearing holder	BH10204600010	40	Pressure block of back block	BH10024280010
12	Cover board	-	41	Front block	BH10204202210
13	Bearing 6209DD*	YW11620900000	42	Fixed castor 3"	YW03000300300
14	Right bearing cover plate	-	43	Movable castor 3"	YW03000300200
15	Taper sleeve 3020-45	YW30302450000	44	Screen rest	-
16	Large belt wheel	YW30231900000	45	Safety switch installation shaft	BH10204300010
17	Poly V-belt 20PJ53 *	YW30253300000	46	Sleeve 1	BH10204203010
18	Out housing	-	47	Taper sleeve 1610-38	YW30163800000
19	Lower cover board of shell	-	48	Limit stop sleeve	BH10162804110
20	Upper cpver board of shell	-	49	Limit stop	-
21	Small belt pulley	YW30209800000	50	Hex key M10	JT10010000100
22	Rotating shaft	BH10204100010	51	Hex key fixing board	-
23	Hex socket screw M12x80	YW61128000000			

* means possible broken parts. ** means easy broken part. and spare backup is suggested. Please confirm the version of manual before placing the purchase order to guarantee that the item number of the spare part is in accordance with the real object.

2.3.13 Assembly Drawing (SG-2042NC(H))



Note: Please refer to 2.3.14 material list about the parts code.

Picture 2-11: Assembly Drawing (SG-2042NC(H))

2.3.14 Parts List (SG-2042NC(H))

Table 2-11: Parts List (SG-2042NC)

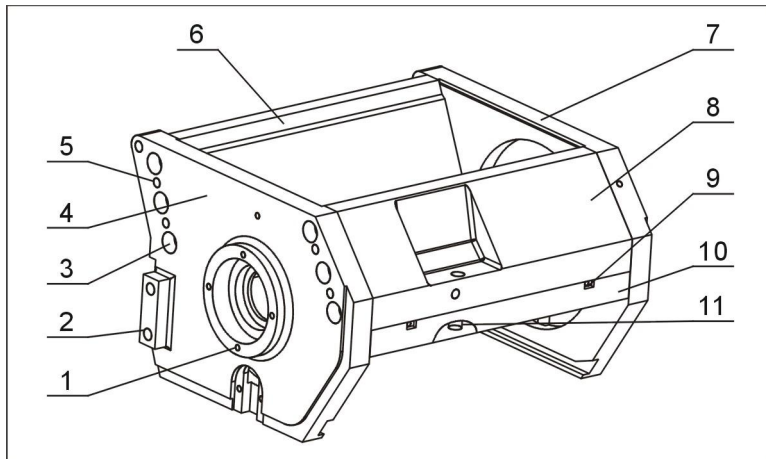
No.	Name	Part No.	No.	Name	Part No.
1	Material collection case	-	27	Star assembly of feeding box	BH10204202010
2	Handle	YR40083500000	28	Handle *	BW20012000140
3	Safety switch handle	BH10024200010	29	Feeding mouth	-
4	Safety switch installation board	BH10204202310	30	Material fender	-
5	Screen (Φ4)**	BL50202811620	31	Cover board of left bearing plate	-
	Screen (Φ5)**	BL50202811720	32	Oil seal	YR80557200000
	Screen (Φ6)**	BL55204260020	33	Left bearing plate	BW30204204120
	Screen (Φ7)**	BL50202811820	34	Material fender (65Mn)	BH11020020010
	Screen (Φ8)**	BL50202811920	35	Blade rest 1	BW30200320010
	Screen (Φ10)**	BL50202812020	36	Rotating blade**	BW41200100010
	Screen (Φ12)**	BL50202812120	37	Flat key 14X267	BH11204200510
6	Castor with brake 3"	YW03000300000	38	Shaft	BH11204210110
7	Adjusting board for motor	-	39	Sleeve	BH10204500010
8	Motor base	-	40	Pressure block	BH10204290010
9	Pressure block of front block	BH10204202110	41	Pressure block of back block	BH10024280010
10	Fixed balde**	YW41041900000	42	Front block	BH10204202210
11	Right bearing holder	BH10204600010	43	Fixed castor 3"	YW03000300300
12	Cover board	-	44	Movable castor 3"	YW03000300200
13	Bearing 6209DD*	YW11620900000	45	Screen rest	-
14	Right bearing cover plate	-	46	Safety switch installation shaft	BH10204300010
15	Taper sleeve 3020-45	YW30302450000	47	Blade rest 2	BW30202420010
16	Large belt wheel	YW30231900000	48	Blade rest 3	BW30200520010
17	Poly V-belt 20PJ53 *	YW30253300000	49	Blade rest 4	BW30204220210
18	Out housing	-	50	Blade rest 5	BW30204220310
19	Lower cover board of shell	-	51	Blade rest 6	BW30204220410
20	Upper cpver board of shell	-	52	Sleeve 1	BH10204203010
21	Small belt pulley	YW30209800000	53	Taper sleeve 1610-38	YW30163800000
22	Rotating shaft	BH10204100010	54	Press block for rotating blade	BH10235200010
23	Star assembly of screen	YW61128000000	55	Limit stop sleeve	BH10162804110
24	Check plate for storage box	-	56	Limit stop	-
25	Motor (3.0kW)	YM10361900000	57	Hex key M10	JT10010000100
26	Feeding box	-	58	Hex key fixing board	-

Table 2-12: Parts List (SG-2042NCH)

No.	Name	Part No.	No.	Name	Part No.
1	Material collection case	-	27	Star assembly of feeding box	BH10204202010
2	Handle	YR40083500000	28	Handle *	BW20012000140
3	Safety switch handle	BH10024200010	29	Feeding mouth	-
4	Safety switch installation board	BH10204202310	30	Material fender	-
5	Screen (Φ4)**	BL50202811620	31	Cover board of left bearing plate	-
	Screen (Φ5)**	BL50202811720	32	Oil seal	YR80557200000
	Screen (Φ6)**	BL55204260020	33	Left bearing plate	BW30204204120
	Screen (Φ7)**	BL50202811820	34	Material fender (65Mn)	BH11020020010
	Screen (Φ8)**	BL50202811920	35	Blade rest 1	BW30200320010
	Screen (Φ10)**	BL50202812020	36	Rotating blade**	BW41200100010
	Screen (Φ12)**	BL50202812120	37	Flat key 14X267	BH11204200510
6	Castor with brake 3"	YW03000300000	38	Shaft	BH11204210110
7	Adjusting board for motor	-	39	Sleeve	BH10204500010
8	Motor base	-	40	Pressure block	BH10204290010
9	Pressure block of front block	BH10204202110	41	Pressure block of back block	BH10024280010
10	Fixed balde**	YW41041900000	42	Front block	BH10204202210
11	Right bearing holder	BH10204600010	43	Fixed castor 3"	YW03000300300
12	Cover board	-	44	Movable castor 3"	YW03000300200
13	Bearing 6209DD*	YW11620900000	45	Screen rest	-
14	Right bearing cover plate	-	46	Safety switch installation shaft	BH10204300010
15	Taper sleeve 3020-45	YW30302450000	47	Blade rest 2	BW30202420010
16	Large belt wheel	YW30231900000	48	Blade rest 3	BW30200520010
17	Poly V-belt 20PJ53 *	YW30253300000	49	Blade rest 4	BW30204220210
18	Out housing	-	50	Blade rest 5	BW30204220310
19	Lower cover board of shell	-	51	Blade rest 6	BW30204220410
20	Upper cpver board of shell	-	52	Sleeve 1	BH10204203010
21	Small belt pulley	YW30209800000	53	Taper sleeve 1610-38	YW30163800000
22	Rotating shaft	BH10204100010	54	Press block for rotating blade	BH10235200010
23	Star assembly of screen	YW61128000000	55	Limit stop sleeve	BH10162804110
24	Check plate for storage box	-	56	Limit stop	-
25	Motor (4.0kW)	YM10113300000	57	Hex key M10	JT10010000100
26	Feeding box	-	58	Hex key fixing board	-

* means possible broken parts. ** means easy broken part. and spare backup is suggested. Please confirm the version of manual before placing the purchase order to guarantee that the item number of the spare part is in accordance with the real object.

2.3.15 Cutting Chamber



Picture 2-12: Cutting Chamber

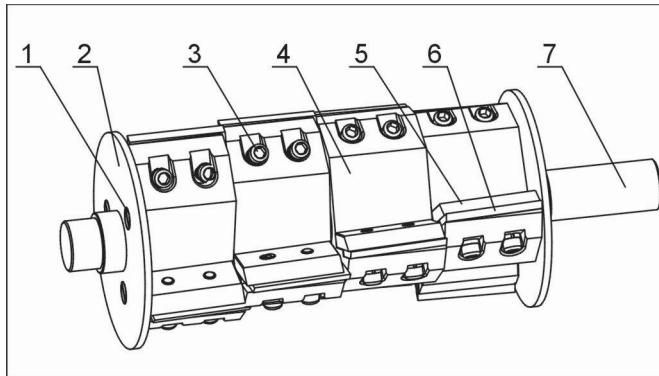
2.3.16 Cutting Chamber Parts List

Table 2-13: Cutting Chamber Parts List

No.	Name	Quantity
1	Cross socket head cap screw M5×10	12
2	Inner hexagonal column bolt M10×20	5
3	Inner hexagonal column bolt M10×35	12
4	Left bearing holder	1
5	Flexible column pin 8×35	8
6	Back block	1
7	Right bearing holder	1
8	Front block	1
9	Inner hexagonal set screw M5×16 (SG-20N)	4
	Inner hexagonal set screw M4×16 (SG-16N)	4
10	Pressure block of front block	1
11	Inner hexagonal column bolt M10×25 (SG-20N)	6-8
	Inner hexagonal column bolt M8×25 (SG-16N)	6-8

2.3.17 Blade Rest

2.3.17.1 Staggered Blade Rest



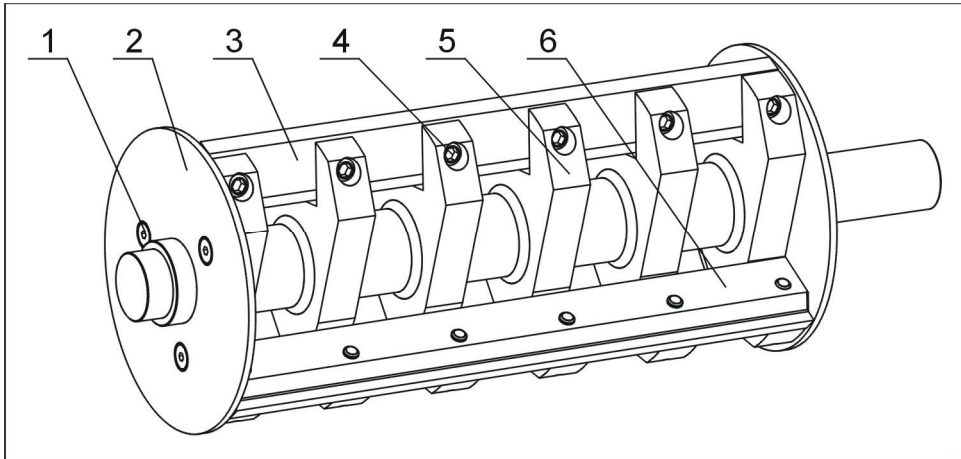
Picture 2-13: Staggered Blade Rest

2.3.17.2 Staggered Blade Rest Parts List

Table 2-14: Staggered Blade Rest Parts List

No.	Name	Quantity
1	Inner hexagonal countersunk bolt M8×12	6
2	Material fender	2
3	Inner hexagon cylindrical screw M8×30	18-24-30
4	Blade rest	3-4-5
5	Blade fastener	9-12-15
6	Rotating blade	9-12-15
7	Main shaft	1

2.3.17.3 Paddle Blade Rest



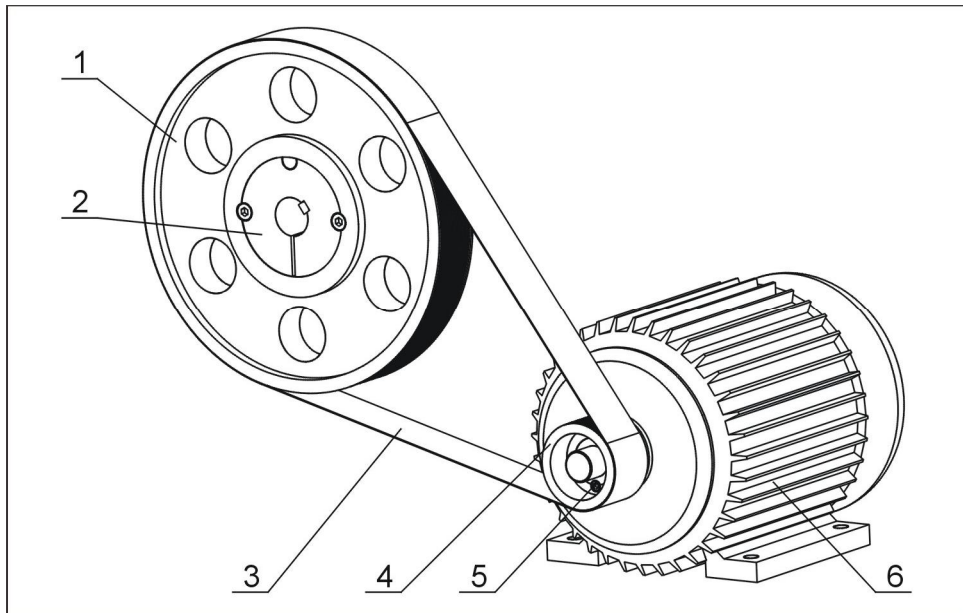
Picture 2-14: Paddle Blade Rest

2.3.17.4 Paddle Blade Rest Parts List

Table 2-15: Paddle Blade Rest Parts List

No.	Name	Quantity
1	Inner hexagonal countersunk bolt M8×12	6
2	Material fender	2
3	Rotating blade	3
4	Inner hexagon cylindrical screw M10×35	12-18
5	Main shaft	1
6	Blade pressing plate	3

2.3.18 Transmission Parts



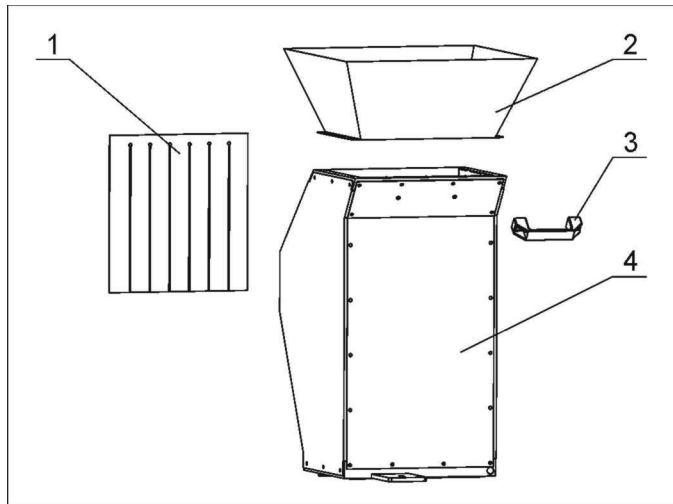
Picture 2-15: Transmission Parts

2.3.19 Transmission Parts Parts List

Table 2-16: Transmission Parts Parts List

No.	Name	Quantity
1	Big belt pulley	1
2	Taper sleeve	1
3	V belt 20 PJ 53" (SG-20N)	1
	V belt 20 PJ 50" (SG-16N)	1
4	Motor belt pulley	1
5	Taper sleeve	1
6	Motor	1

2.3.20 Feed Port, Feed Box and Material Check Plate



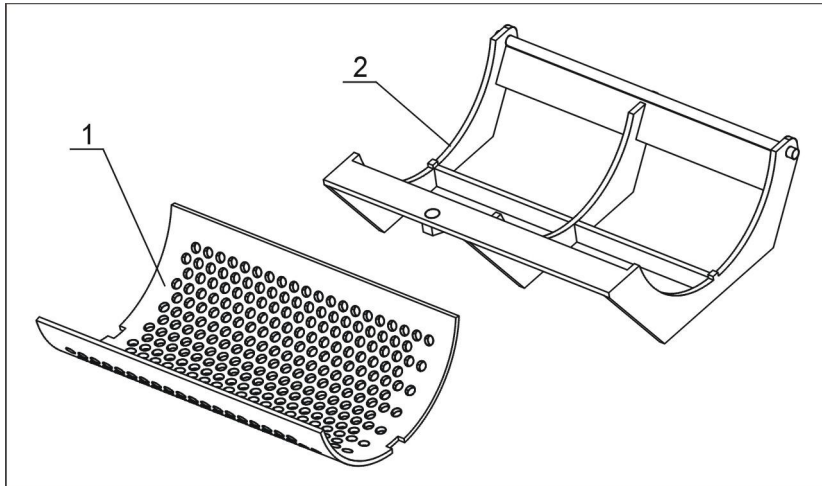
Picture 2-16: Feed Port, Feed Box and Material Check Plate

2.3.21 Feed Port, Feed Box and Material Check Plate Parts List

Table 2-17: Feed Port, Feed Box and Material Check Plate Parts List

No.	Name	Quantity
1	Material fender	1
2	Feed opening	1
3	Handle	1
4	Feed box	1

2.3.22 Screen and Screen Frame



Picture 2-17: Screen and Screen Frame

2.3.23 Screen and Screen Frame Parts List

Table 2-18: Screen and Screen Frame Parts List

No.	Name	Quantity
1	Screen	1
2	Screen bracket	1