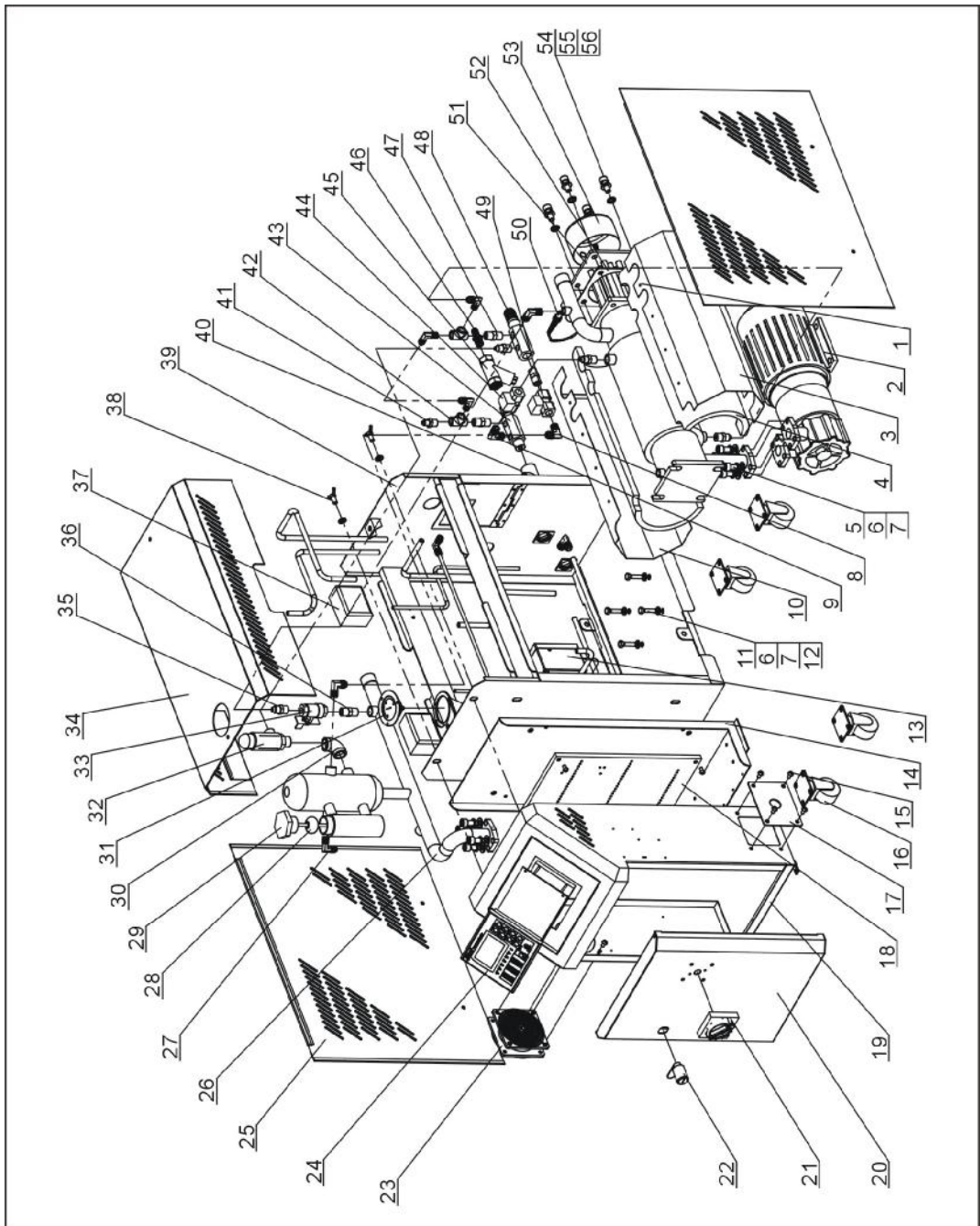


2.2 Assembly Drawing

2.2.1 Assembly Drawing



Remarks: Please refer to material list 2.2.2 for specific explanation of the Arabic numbers in parts drawing.

Picture 2-2: Assembly Drawing

2.2.2 Parts List (STM-607~1213-PW)

Table 2-1: Parts List (STM-607-PW)

| No. | Name | Part No. | No. | Name | Part No. |
|-----|---|---------------|-----|--|---------------|
| 1 | Tappig screw ST3.5×10 | YW67351000000 | 26 | Return water pipe | - |
| 2 | Magnetic pump MP-55 | BM20005500050 | 27 | Copper Teflon pipe connector 1/4H×1/4PT(L) | YW04010400400 |
| 3 | Wrapper sheet of heating tank 1 | - | 28 | Electronic ball valve | YE13001500000 |
| 4 | Heat-insulation cotton of tank body | - | 29 | Copper stretch connector male "PT× female M10 | BH12011000020 |
| 5 | Socket head cap screw M8×20 | YW61082000200 | 30 | Stainless steel pipe elbow 1/2"PT | YW53001200100 |
| 6 | Spring washer 8 | YW65008000100 | 31 | Pressure gauge (0~1.5MPa) | YW85015000000 |
| 7 | Flat gasket 8 | YW66082200100 | 32 | Safety valve DR-1000(SHINI) | BW05100000050 |
| 8 | Copper Teflon connector 3/8H×3/8PT(L) | YW04030800300 | 33 | Stainless steel globe valve 3/8" | YW50030800100 |
| 9 | Copper coupler 1/4PT×3/8PT(L) | YW04010400200 | 34 | Plate cover | - |
| 10 | Wrapper sheet of heating tank 2 | - | 35 | Copper Teflon pipe connector 3/8H×3/8PT | BH12030800110 |
| 11 | Hexagon screw bolt M8×30 | YW60083000100 | 36 | Copper coupler 3/8" | BH12030800110 |
| 12 | Nut M8 | YW64080600000 | 37 | Low pressure switch 0~8kg | YE90000800000 |
| 13 | EGO assembly | BH90115000050 | 38 | Butterfly screw M8×15 | YW69081500000 |
| 14 | Control box rear plate | - | 39 | Rack | - |
| 15 | Thick head screw M5×10 | YW63051000000 | 40 | Non-return valve 1/2" | YW59010200100 |
| 16 | Universal wheel 2" | YW03000200000 | 41 | Copper Teflon pipeconnector 1/4H×1/4PT | BH12010400410 |
| 17 | Line jig fixing plate | - | 42 | Stainless steel T joint 1/4" | YW52010400000 |
| 18 | Electrical mounting plate | - | 43 | Copper connector unit 7 | - |
| 19 | Electrical control box | - | 44 | Solenoid valve 3/8 oil-type 220VAC | YE32213100000 |
| 20 | Door plank | - | 45 | Y type filter valve 1/2" | YW57010200000 |
| 21 | Main power switch | YE12003000000 | 46 | Copper insert M13×1/2PT | BH12131200010 |
| 22 | Long door lock | YW00000000100 | 47 | Copper coupler 1/4" | BH12010400110 |
| 23 | Exhaust fan + fan guard | YM60922500100 | 48 | Copper connector unit 8 | - |
| 24 | HANYOUNG controller MT100-01 | YE81100010000 | 49 | Solenoid valve 2L030-10-DG1007C | YE32331000000 |
| 25 | Side plate | - | 50 | Thermocouple | BE90342500050 |

| No. | Name | Part No. | No. | Name | Part No. |
|-----|--------------------------------|---------------|-----|---------------------------------|---------------|
| 51 | Pipe heater unit 12kW | BH70122000150 | 54 | Socket head cap screw M10×25 | YW61102500000 |
| 52 | Graphite washer 120×120×2.0 | YR20121200000 | 55 | Flat gasket 10×25 | YW66102500000 |
| 53 | Heater cover | BL80091000120 | 56 | Spring washer 10 | YW65010000000 |

* means possible broken parts. ** means easy broken part. and spare backup is suggested.
Please confirm the version of manual before placing the purchase order to guarantee that the item number of the spare part is in accordance with the real object.

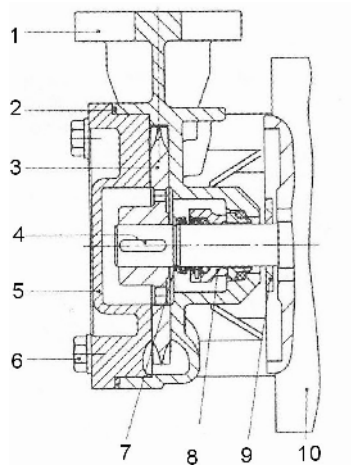
Table 2-2: Parts List (STM-913/1213-PW)

| No. | Name | Part No. | No. | Name | Part No. |
|-----|--|---------------|-----|---|---------------|
| 1 | Tappig screw ST3.5×10 | YW67351000000 | 28 | Electronic ball valve | YE13001500000 |
| 2 | Magnetic pump MP-100 | BM20123400000 | 29 | Copper stretch connector male "PT× female M10 | BH12011000020 |
| 3 | Wrapper sheet of heating tank 1 | - | 30 | Stainless steel pipe elbow 1/2"PT | YW53001200100 |
| 4 | Heat-insulation cotton of tank body | - | 31 | Pressure gauge (0~1.5MPa) | YW85015000000 |
| 5 | Socket head cap screw M8×20 | YW61082000200 | 32 | Safety valve DR-1000(SHINI) | BW05100000050 |
| 6 | Spring washer 8 | YW65008000100 | 33 | Stainless steel globe valve 3/8" | YW50030800100 |
| 7 | Flat gasket 8 | YW66082200100 | 34 | Plate cover | - |
| 8 | Copper Teflon connector 3/8H×3/8PT(L) | YW04030800300 | 35 | Copper Teflon pipe connector 3/8H×3/8PT | BH12030800110 |
| 9 | Copper coupler 1/4PT×3/8PT(L) | YW04010400200 | 36 | Copper coupler 3/8" | BH12030800110 |
| 10 | Wrapper sheet of heating tank 2 | - | 37 | Low pressure switch 0~8kg | YE90000800000 |
| 11 | Hexagon screw bolt M8×30 | YW60083000100 | 38 | Butterfly screw M8×15 | YW69081500000 |
| 12 | Nut M8 | YW64080600000 | 39 | Rack | - |
| 13 | EGO assembly | BH90115000050 | 40 | Non-return valve 1/2" | YW59010200100 |
| 14 | Control box rear plate | - | 41 | Copper Teflon pipeconnector 1/4H×1/4PT | BH12010400410 |
| 15 | Thick head screw M5×10 | YW63051000000 | 42 | Stainless steel T joint 1/4" | YW52010400000 |
| 16 | Universal wheel 2" | YW03000200000 | 43 | Copper connector unit 7 | - |
| 17 | Line jig fixing plate | - | 44 | Solenoid valve 3/8 oil-type 220VAC | YE32213100000 |
| 18 | Electrical mounting plate | - | 45 | Y type filter valve 1/2" | YW57010200000 |
| 19 | Electrical control box | - | 46 | Copper insert M13×1/2PT | BH12131200010 |
| 20 | Door plank | - | 47 | Copper coupler 1/4" | BH12010400110 |
| 21 | Main power switch | YE12003000000 | 48 | Copper connector unit 8 | - |
| 22 | Long door lock | YW00000000100 | 49 | Solenoid valve 2L030-10-DG1007C | YE32331000000 |
| 23 | Exhaust fan + fan guard | YM60922500100 | 50 | Thermocouple | BE90342500050 |
| 24 | HANYOUNG controller MT100-01 | YE81100010000 | 51 | Pipe heater unit 12kW | BH70122000150 |
| 25 | Side plate | - | 52 | Graphite washer 120×120×2.0 | YR20121200000 |
| 26 | Return water pipe | - | 53 | Heater cover | BL80091000120 |
| 27 | Copper Teflon pipe connector 1/4H×1/4PT(L) | YW04010400400 | 54 | Socket head cap screw M10×25 | YW61102500000 |

| No. | Name | Part No. | No. | Name | Part No. |
|-----|-------------------|---------------|-----|------------------|---------------|
| 55 | Flat gasket 10×25 | YW66102500000 | 56 | Spring washer 10 | YW65010000000 |

* means possible broken parts. ** means easy broken part. and spare backup is suggested.
Please confirm the version of manual before placing the purchase order to guarantee that the item number of the spare part is in accordance with the real object.

2.2.3 Pump



Picture 2-3: Pump

Table 2-4: Pump Parts List

| No. | Name | Part No. | | |
|-----|-------------------------|---------------|---------------|---------------|
| | | STM-607PW | STM-913PW | STM-1213PW |
| 1 | Pump body | - | - | - |
| 2 | O-shape ring | - | - | - |
| 3 | Impeller | - | - | - |
| 4 | Key | - | - | - |
| 5 | Pump lid | - | - | - |
| 6 | Hexagonal head screw | - | - | - |
| 7 | Snap ring | - | - | - |
| 8 | Mechanical shaft seal * | YR80901000000 | YR80901200000 | YR80901600000 |
| 9 | Rotary ring | - | - | - |
| 10 | Motor | - | - | - |

* means possible broken parts.

** means easy broken part. and spare backup is suggested.

Please confirm the version of manual before placing the purchase order to guarantee that the item number of the spare part is in accordance with the real object.