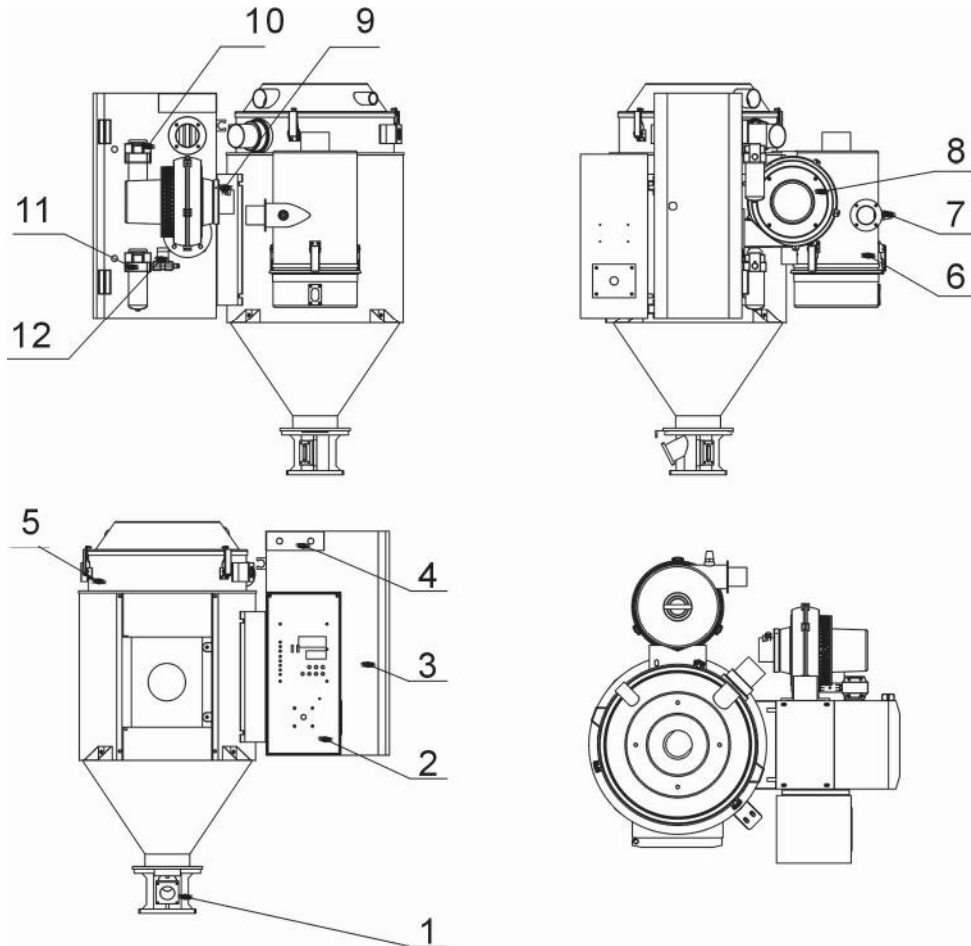


## 2.2 Drawing and Parts List

### 2.2.1 Structural Drawing

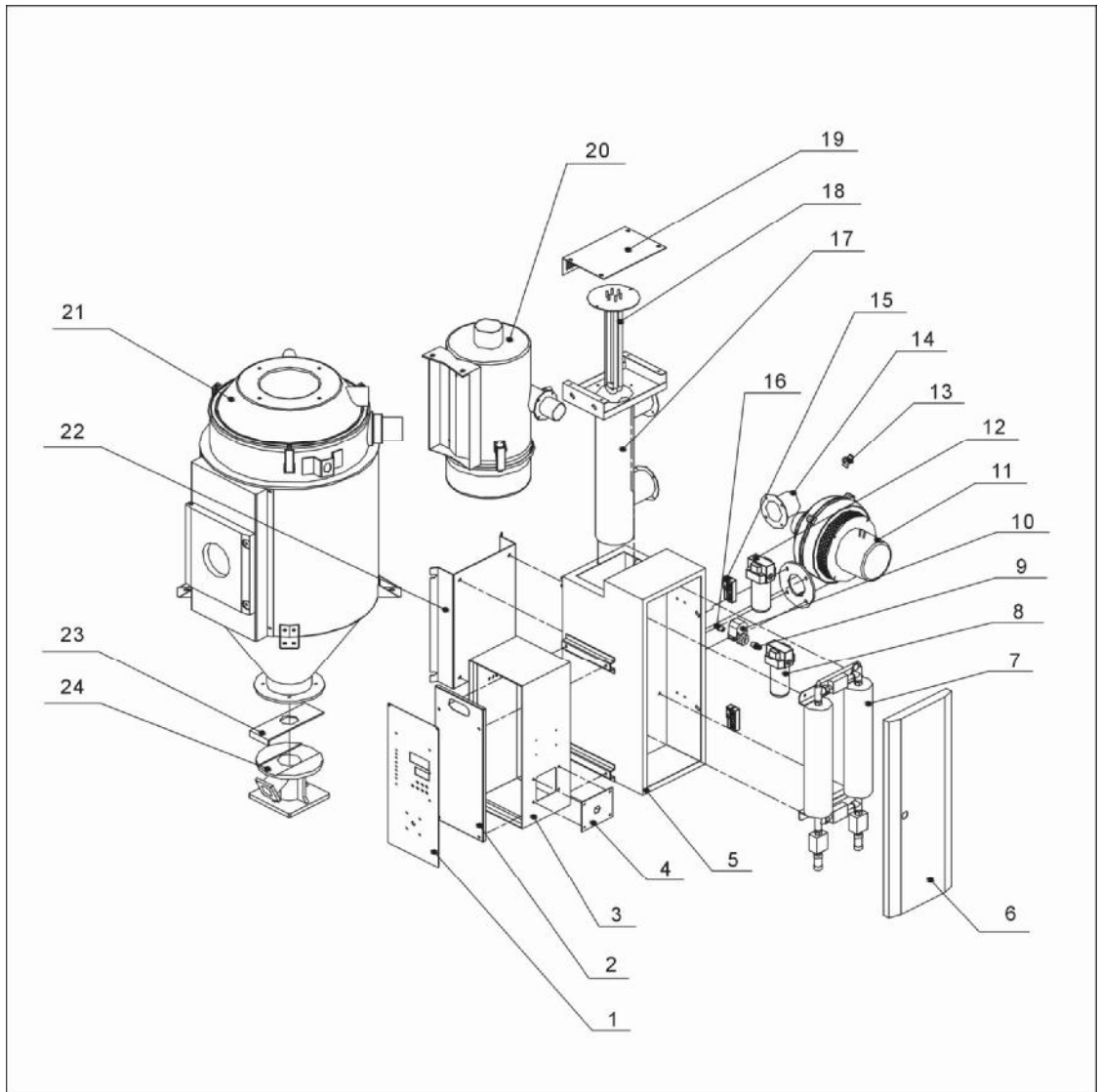


**Names of Parts:**

- |                       |                  |  |
|-----------------------|------------------|--|
| 1. Standard base      | 2. Control box   | 3. Athermal Regeneration Type of Air Dryer |
| 4. Heating case       | 5. Drying tank   | 6. Hot-air Recycler                        |
| 7. Exhaust-air Filter | 8. Drying blower | 9. Adjustable Quick Coupling               |
| 10. Back Filter       | 11. Front Filter | 12. Solenoid valve                         |

Picture 2-2: Structural Drawing

## 2.2.2 Assembly Drawing



Remarks: Please refer to Material List 2.2.3 for specific explanation of the Arabic numbers in Parts Drawing.

Picture 2-3: Assembly Drawing

## 2.2.3 Parts List (SHD-40U~120U-HD)

Chart 2-1: Parts List (SHD-40U~120U-HD)

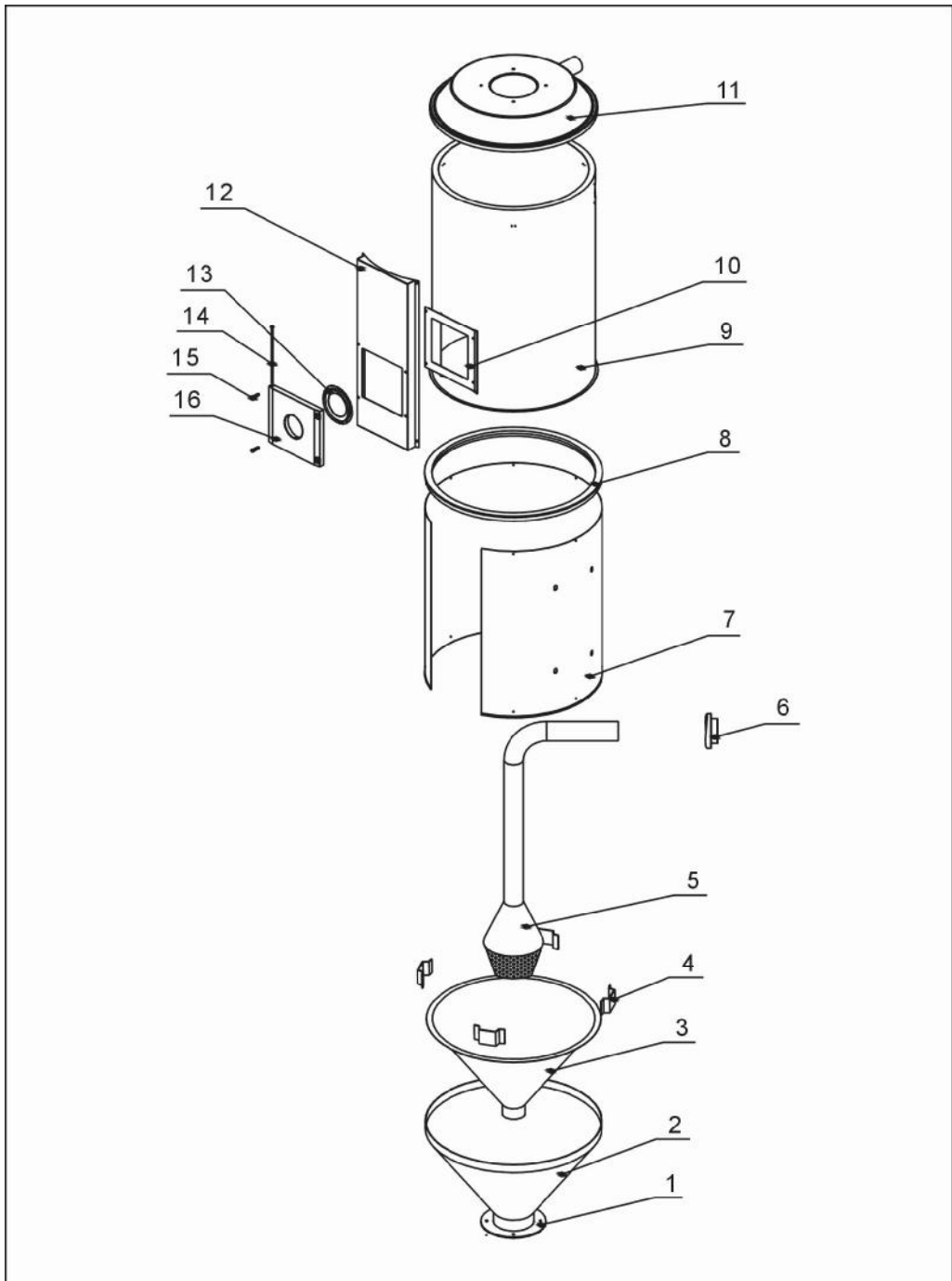
No.	Name	Part No.		
		SHD-40U-HD	SHD-80U-HD	SHD-120U-HD
1	Control cabinet door	-	-	-
2	Electric elements' mounting plate	-	-	-
3	Control cabinet body	-	-	-
4	Wire fixture's setting plate	-	-	-
5	Dehumidifier case body	-	-	-
6	Dehumidifier case door	-	-	-
7	Athermal regeneration type of dryer	YE90101100100	YE90102100000	YE90102100000
8	Front filter	-	-	-
9	Copper coupling	-	-	-
10	Solenoid valve	YE32213100000	YE32213100000	YE32213100000
11	Blower	BM40025300450	BM40003000250	BM40003000250
12	Back filter	-	-	-
13	Adjustable quick coupling	YW80061400000	YW80061400000	YW80061400000
14	Nozzle flange	-	-	-
15	Hinge	-	-	-
16	Air pipe coupling	YW80061400200	YW80061400200	YW80061400200
17	Hot air pipe	-	-	-
18	Pipe heater*	BH70400300350	BH70803900250	BH70123900150
19	Hot-air pipe cover	-	-	-
20	Hot-air recycler	-	-	-
21	Drying tank	-	-	-
22	Case setting plate	-	-	-
23	Shut-off plate	YW09255000000	YW09255000000	YW09255000000
24	Standard base	BY10040000050	BY10040000050	BY10040000050

\* means possible broken parts.

\*\* means easy broken part. and spare backup is suggested.

Please confirm the version of manual before placing the purchase order to guarantee that the item number of the spare part is in accordance with the real object.

## 2.2.4 Assembly Drawing of Drying Drying



Remarks: Please refer to Material List 2.2.5 for specific explanation of the Arabic numbers in Parts Drawing.

Picture 2-4: Assembly Drawing of Drying Drying

## 2.2.5 Parts & Materials List of Dry Charging Barrel (SHD-40U~120U-HD)

Chart 2-2: Parts & Materials List of Dry Charging Barrel (SHD-40U~120U-HD)

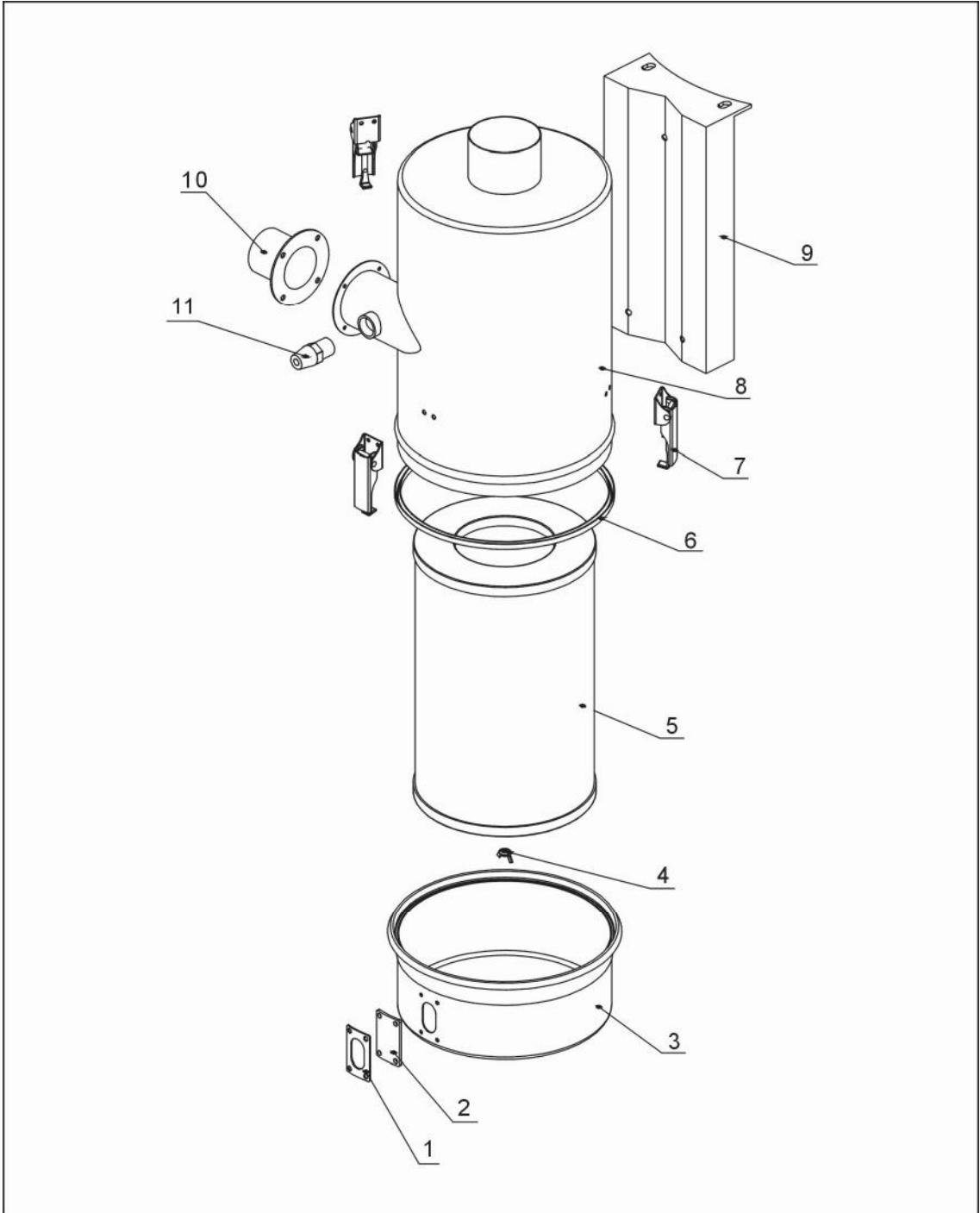
No.	Name	Part No.		
		SHD-40U-HD	SHD-80U-HD	SHD-120U-HD
1	Hopper flange	-	-	-
2	Outer hopper	-	-	-
3	Internal hopper	-	-	-
4	Insider fixed block	-	-	-
5	Down blowing air pipe	BL02045001820	BL02008000210	BL02012001420
6	Down-blowing pipe fixation block	BW21020400010	BW21081200010	BW21081200010
7	Heat preservation cover	-	-	-
8	Upper ring	YA30004000000	BA30801200110	BA30801200110
9	Material storage tank	-	-	-
10	Sight glass frame	-	-	-
11	Lid	BL02004000020	BL02801200020	BL02801200020
12	Outer sight-glass frame	-	-	-
13	Charging entrance flange	-	-	-
14	Latch	-	-	-
15	Holding screw	-	-	-
16	Sight glass door	-	-	-

\* means possible broken parts.

\*\* means easy broken part. and spare backup is suggested.

Please confirm the version of manual before placing the purchase order to guarantee that the item number of the spare part is in accordance with the real object.

## 2.2.6 Parts Drawing of Hot-air Recycler



Remarks: Please refer to Material List 2.2.7 for specific explanation of the Arabic numbers in Parts Drawing.

Picture 2-6: Parts Drawing of Hot-air Recycler

## 2.2.7 Parts & Materials List of Hot-air Recycler (SHD-40U~120U-HD)

Chart 2-3: Parts & Materials List of Hot-air Recycler (SHD-40U~120U-HD)

No.	Name	Part No.		
		SHD-40U-HD	SHD-80U-HD	SHD-120U-HD
1	Sight-glass	-	-	-
2	Acryl	-	-	-
3	Dust collection bin	-	-	-
4	Butterfly Nut	YW69051600000	YW69051600000	YW69051600000
5	Filter	YR50138000000	YR50181100000	YR50181100000
6	Fastener for filtering barrel	YR10016000000	YR10708000100	YR10708000100
7	Snap hook	YW02003000400	YW02003000400	YW02003000400
8	Filter barrel	-	-	-
9	Filter's Setting Plate	-	-	-
10	Nozzle Flange	-	-	-
11	Exhaust-air Filter	-	-	-

\* means possible broken parts.

\*\* means easy broken part. and spare backup is suggested.

Please confirm the version of manual before placing the purchase order to guarantee that the item number of the spare part is in accordance with the real object.