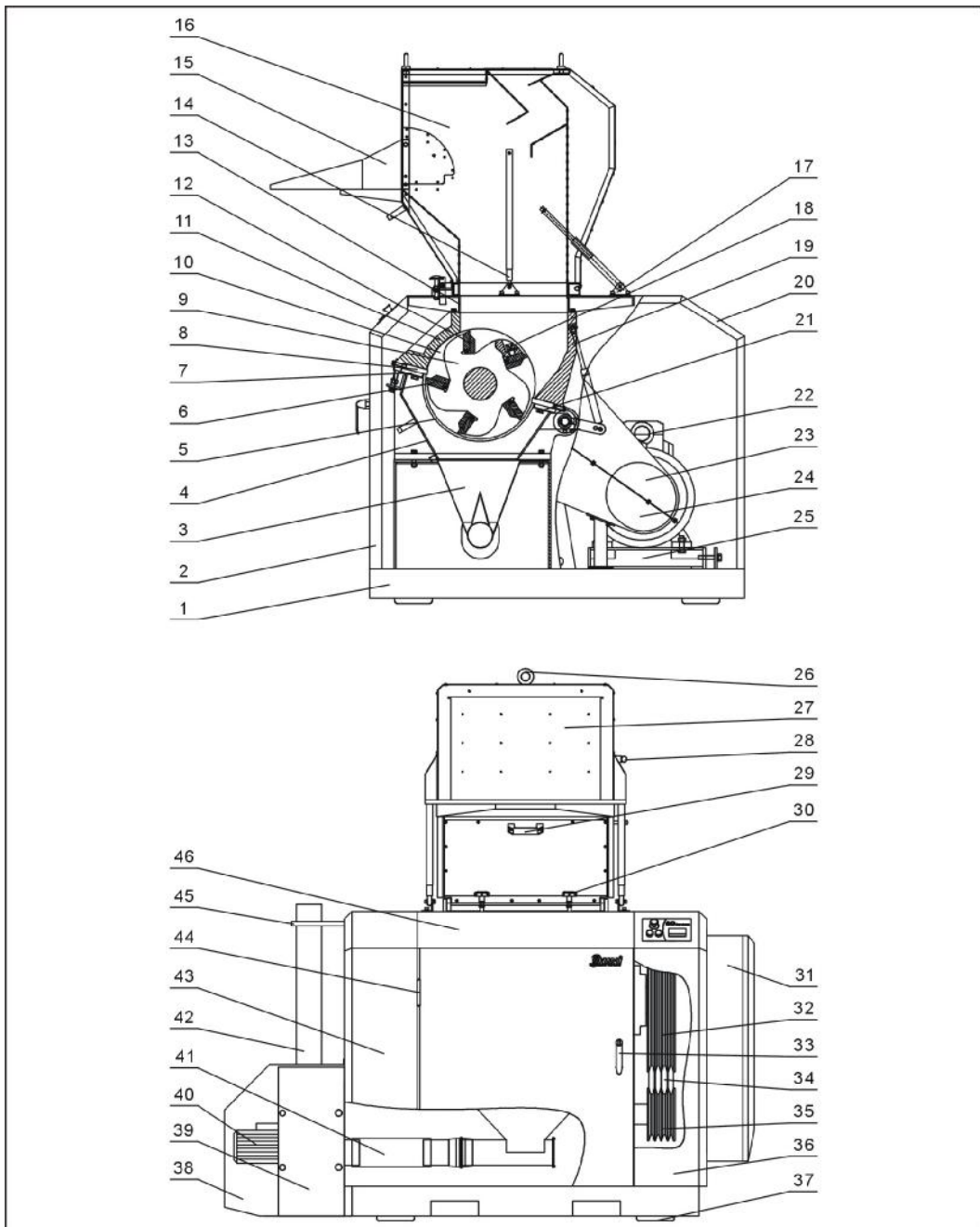


## 2.3 Assembly Drawing

### 2.3.1 Assembly Drawing



Note: Please refer to 2.3.2 material list about the parts code.

Picture 2-5: Assembly Drawing

## 2.3.2 Parts List

Table 2-1: Parts List

No.	Name	Part No.	
		SG-4360(H)	SG-4390(H)
1	Base	-	-
2	Door plank	-	-
3	Regrind storage bin	-	-
4	Screen bracket	-	-
5	Screen (Φ8)**	BL55436000820	-
	Screen (Φ10)**	BL55436000220	-
	Screen (Φ12)**	BL55436200220	BL55439001320
	Screen (Φ17)**	-	-
	Screen (Φ25)**	-	-
6	Rotating blade**	BH10436300110	BW40439001410
7	Fixed knife briquetting	BH11436000310	BH11439000310
8	Fixed blade**	YW42436000400	BW40439000410
9	Blade rest	BH11436001010	BH11439000710
10	Material fender	YW42436001600	YW42436001600
11	Front box block	BW30436000510	BW30439000510
12	Pressure block	BH11506000610	BH11439001310
13	Cutting chamber	-	-
14	Pneumatic spring 600N	YW01060000000	YW01060000000
15	Feeding inlet	-	-
16	Feeding hopper	-	-
17	Support base	-	-
18	Inner hexagonal screw column M20X65	YW61206500000	YW61206500000
19	Back box block	BW30436000710	BW30439001410
20	Back cover board	-	-
21	Fixed blade press block	YW61167500000	YW61167500000
22	Electromotor	YM10420700200	YM10422000100
		YM10422000100	YM10422300000
23	Protective hood	-	-
24	Protective hood	-	-
25	Installation base	-	-
26	Screw M16	YW09001600000	YW09001600000
27	Material fender	-	-
28	Protective hood	YW30003600100	YW30003600100
29	Knob *	BW20012000140	BW20012000140
30	Screw shaft	BH56240200010	BH56240200010

No.	Name	Part No.	
		SG-4360(H)	SG-4390(H)
31	Electrical control box *	BH59436000050	BH59436800150
32	Big belt pulley	YW30560400000	YW30205600000
33	Door lock	YW00004500000	YW00307200000
34	V belt SPC-2800*	YR00280000000	YR00280000000
35	Belt pulley	YW30200400000	YW30200600000
36	Right cover board	-	-
37	Anti vibration pad M16X147	YW03162000000	YW03162000000
38	Cover	-	-
39	Blower supporter	-	-
40	Blower *	BM30224000050	BM30224000050
41	Feeding pipe	YR60000400100	YR60000400100
42	Blower flange	BH10436002110	BH10436002110
43	Left cover board	-	-
44	Hinge	YW06000400000	YW06000400000
45	Fixed block	BH10436002010	BH10436002010
46	Front top board	-	-

\* means possible broken parts.

\*\* means easy broken part. and spare backup is suggested.

Please confirm the version of manual before placing the purchase order to guarantee that the item number of the spare part is in accordance with the real object.