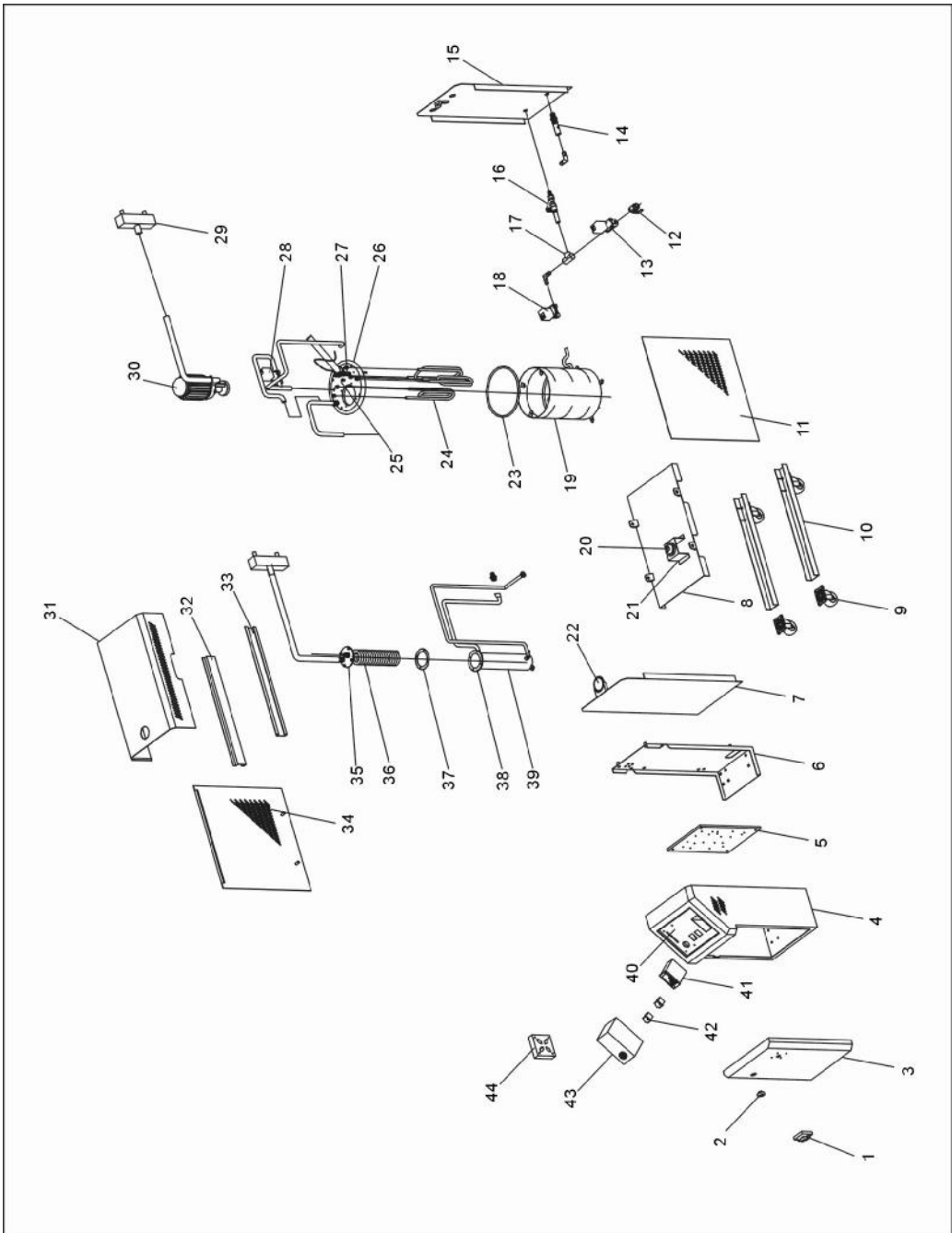


## 2.2 Assembly Drawing

### 2.2.1 Assembly Drawing (STM-607W/O)



Remarks: Please refer to material list 2.2.2 for specific explanation of the arabic numbers in parts drawing.

Picture 2-2: Assembly Drawing (STM-607W/O)

## 2.2.2 Parts List (STM-607W/O)

Table 2-1: Parts List (STM-607W/O)

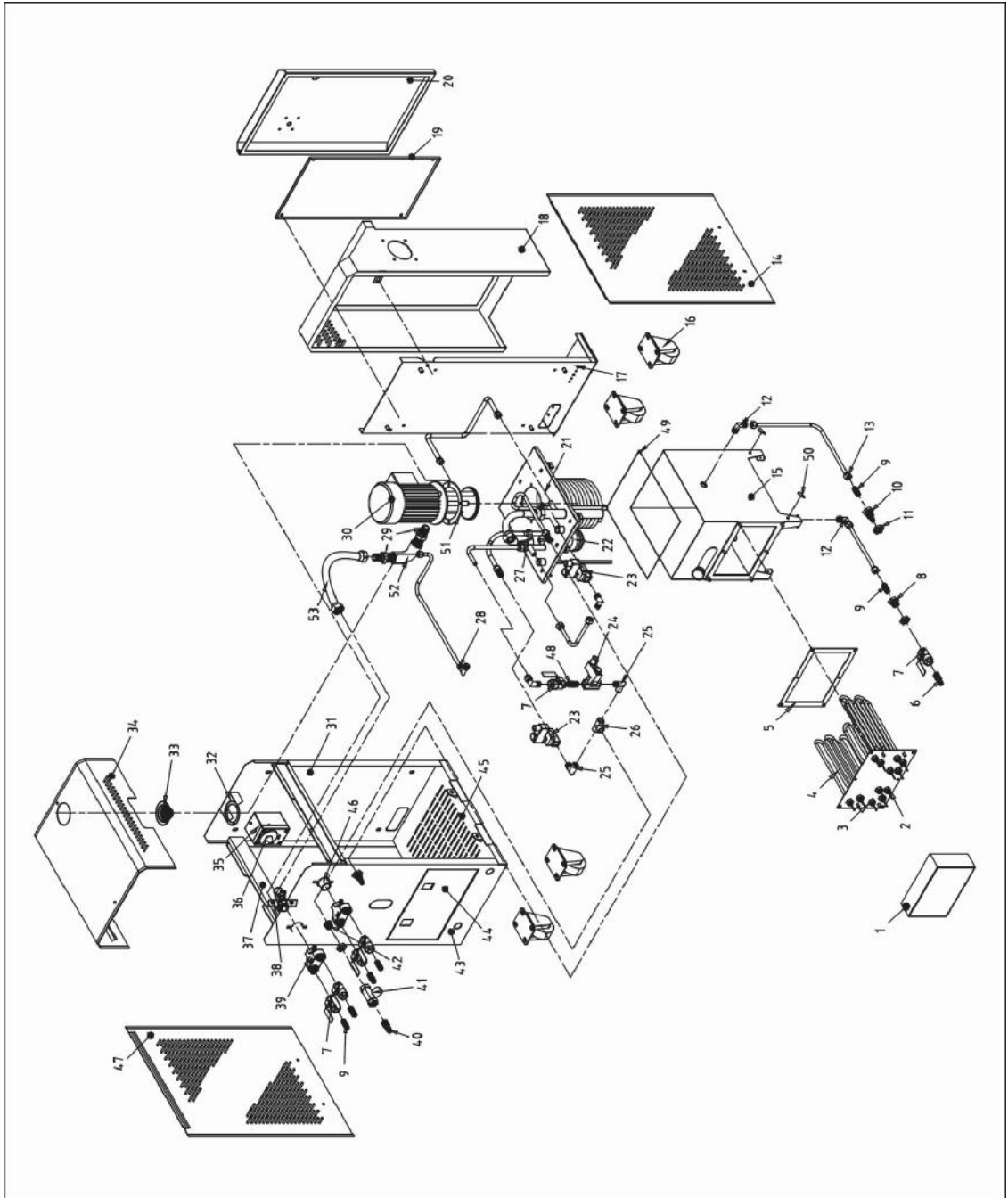
| No. | Name                         | Part No.      | No. | Name                       | Part No.      |
|-----|------------------------------|---------------|-----|----------------------------|---------------|
| 1   | Main switch                  | YE10200300000 | 23  | Tank loop                  | YR10060700100 |
| 2   | Door lock                    | YW00000000100 | 24  | Pipe heater                | BH70060700350 |
| 3   | Door plate                   | -             | 25  | Floating ball              | -             |
| 4   | Control box                  | BL42060713220 | 26  | Tank cover                 | BH12060701210 |
| 5   | Electrical components board  | -             | 27  | Thermocouple*              | BE90100000050 |
| 6   | Electrical components board  | BL42060713320 | 28  | Air feeding Solenoid valve | YE32209000000 |
| 7   | Control box rear plate       | -             | 29  | Water flow distributor     | -             |
| 8   | Bottom plate                 | -             | 30  | Pump                       | BM20005500150 |
| 9   | Castor                       | YW03000200000 | 31  | Top cover                  | -             |
| 10  | Strengthen tendon            | -             | 32  | Left beam                  | -             |
| 11  | Right side plate             | -             | 33  | Right beam                 | -             |
| 12  | Ball valve                   | YW50030800100 | 34  | Left side plate            | -             |
| 13  | Water feeding Solenoid valve | YE32213100000 | 35  | Cooling pipe flange        | -             |
| 14  | Copper joint                 | YW04010401000 | 36  | Cooling tank               | -             |
| 15  | Bear plate                   | -             | 37  | Cooling tank pressing      | YR10012000000 |
| 16  | Y type strainer              | YW57010200000 | 38  | Cooling tank flange        | -             |
| 17  | Three joint                  | YW52010400000 | 39  | Cooling tank               | -             |
| 18  | Cooling Solenoid valve       | YE32213100000 | 40  | Nameplate                  | BL41060704420 |
| 19  | Heating tank                 | -             | 41  | Temperature controller     | YE85005000000 |
| 20  | Ego*                         | YE21503000000 | 42  | Alternative switch         | YE10210400000 |
| 21  | EGO mounting plate           | -             | 43  | Buzzer                     | -             |
| 22  | Pressure meter*              | YW85001000100 | 44  | Cooling fan+ fan guard     | YM60922500100 |

\* means possible broken parts.

\*\* means easy broken part. and spare backup is suggested.

Please confirm the version of manual before placing the purchase order to guarantee that the item number of the spare part is in accordance with the real object.

### 2.2.3 Assembly Drawing (STM-1207W/O)



Remarks: Please refer to material list 2.2.4 for specific explanation of the arabic numbers in parts drawing.

Picture 2-3: Assembly Drawing (STM-1207W/O)

## 2.2.4 Parts List (STM-1207W/O)

Table 2-2: Parts List (STM-1207W/O)

| No. | Name                                 | Part No.       | No. | Name                                      | Part No.      |
|-----|--------------------------------------|----------------|-----|---|---------------|
| 1   | Pipe heater cover                    | BL42120700421  | 28  | 1/4H×1/4PT Copper connector (Ltype)       | YW04010400400 |
| 2   | Pipe heater nut                      | -              | 29  | 3/4H×3/4PT Copper connector               | BH12030400310 |
| 3   | Pipe heater installation board       | -              | 30  | SPECK Y-601 Pump*                         | BM20005500150 |
| 4   | Pipe heater*                         | BH70120700050  | 31  | Clapboard                                 | BL42120701520 |
| 5   | Graphite washer                      | YR20234000000  | 32  | Installation board of pressure gauge      | -             |
| 6   | 3"×3/8PT Insert connector            | BH12030801110  | 33  | Pressure gauge*                           | YW85001000100 |
| 7   | 3" Ball valve*                       | YW04030800300  | 34  | Plate cover                               | BL42120701720 |
| 8   | Copper connector                     | BH12120702310  | 35  | Temperature control switch protective box | YR40000400300 |
| 9   | 3/8H×3/8PT Copper connector          | BH12030800610  | 36  | Temperature control switch                | YE21503000000 |
| 10  | Copper connector                     | BH12120705810  | 37  | Beam                                      | BL42120701220 |
| 11  | 1/2 Copper nut                       | BH12201500010  | 38  | Water flow regulator connector (w/o)      | -             |
| 12  | 3/8H×3/8PT Copper connector (Ltype)  | YW04030800300  | 39  | One in two out connector                  | YW32010200000 |
| 13  | 3" Copper nut                        | BH12000301010  | 40  | 3/8"×1/2PT Insert connector               | BH12131200010 |
| 14  | Side plate1                          | BL42120702720- | 41  | Water filtering valve*                    | YW57010200000 |
| 15  | Oil/water tank                       | -              | 42  | Copper connector                          | BH12120705910 |
| 16  | 2" Castor                            | YW03000200000  | 43  | Rear plate                                | BL42120701120 |
| 17  | Back plate of control box            | BL42120702220  | 44  | Mini cover board of backboard             | BL42120701020 |
| 18  | Electrical control box               | BL42120700521  | 45  | Base                                      | BL42120702620 |
| 19  | Electrical installation board        | BL42120702320  | 46  | Water flow regulator connector            | -             |
| 20  | Front door plank                     | BL42120700520  | 47  | Side plate 2                              | BL42120702720 |
| 21  | Oil(water) tank lid                  | -              | 48  | 3" Connector                              | BH12030800110 |
| 22  | Float ball*                          | BL42120701920  | 49  | Fastener                                  | YR10010000200 |
| 23  | Airtac solenoid valve**              | YE32213100000  | 50  | Fixing block                              | BL42120702920 |
| 24  | Solenoid valve**                     | YE32213100000  | 51  | Pump fastener                             | YR10060700000 |
| 25  | 3/8PT×3/8PT Copper connector (Ltype) | YW04030800100  | 52  | Stainless steel elbow 3/4"                | YW53030400000 |
| 26  | SUS T type connector                 | YW52030800000  | 53  | Teflon tube                               | YW59030400000 |
| 27  | Micro switch*                        | YE14152400000  |     |   |               |

\* means possible broken parts. \*\* means easy broken part. and spare backup is suggested. Please confirm the version of manual before placing the purchase order to guarantee that the item number of the spare part is in accordance with the real object.