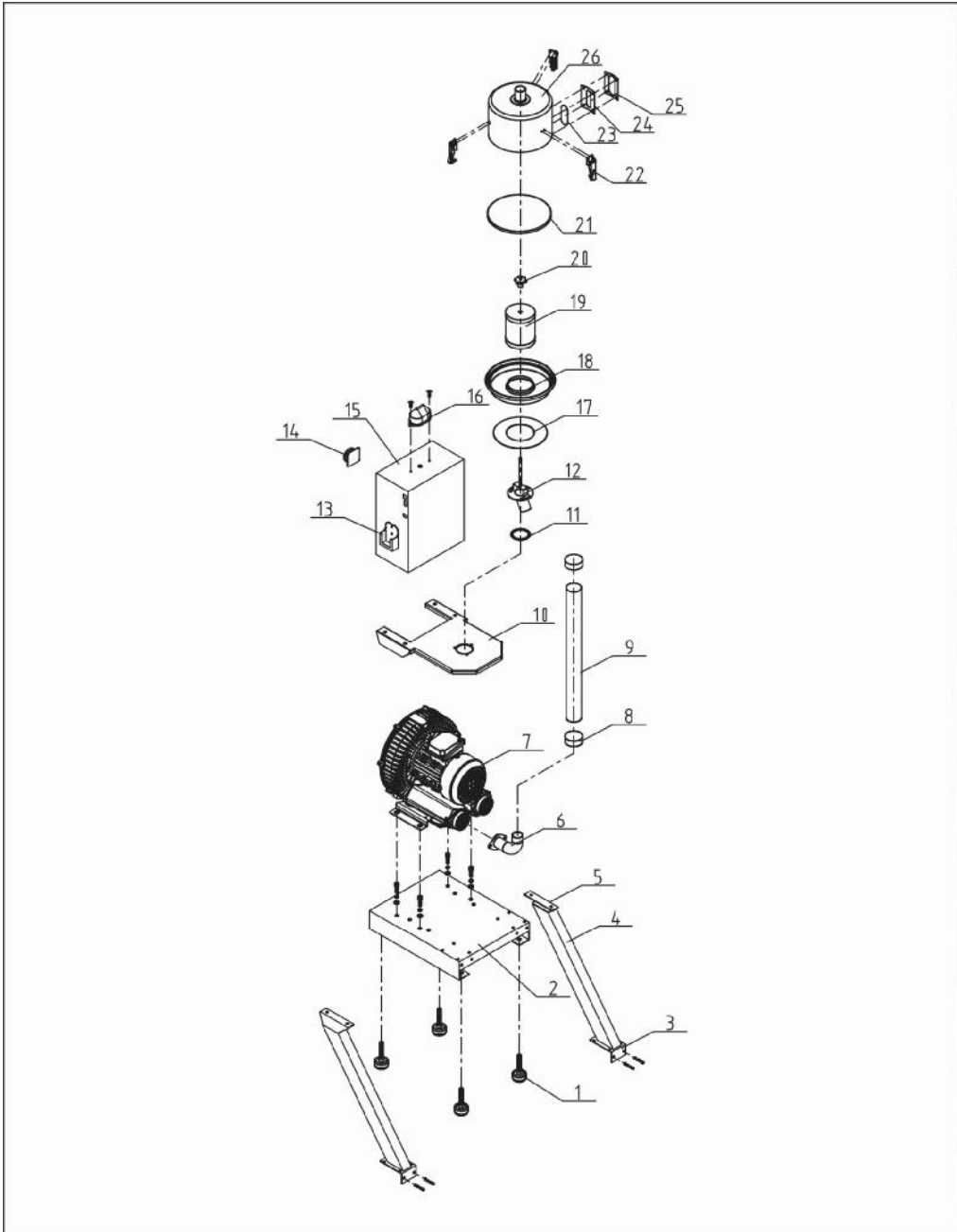


## 2.2 Assembly Drawing

### 2.2.1 Assembly Drawing (SAL-1HP/2HP-UG)



Remarks: Please refer to material list 2.2.2 for specific explanation of the Arabic numbers in parts drawing.

Picture 2-4: Assembly Drawing (SAL-1HP/2HP-UG)

## 2.2.2 Parts List (SAL-1HP/2HP-UG)

Chart 2-1: Parts List (SAL-1HP/2HP-UG)

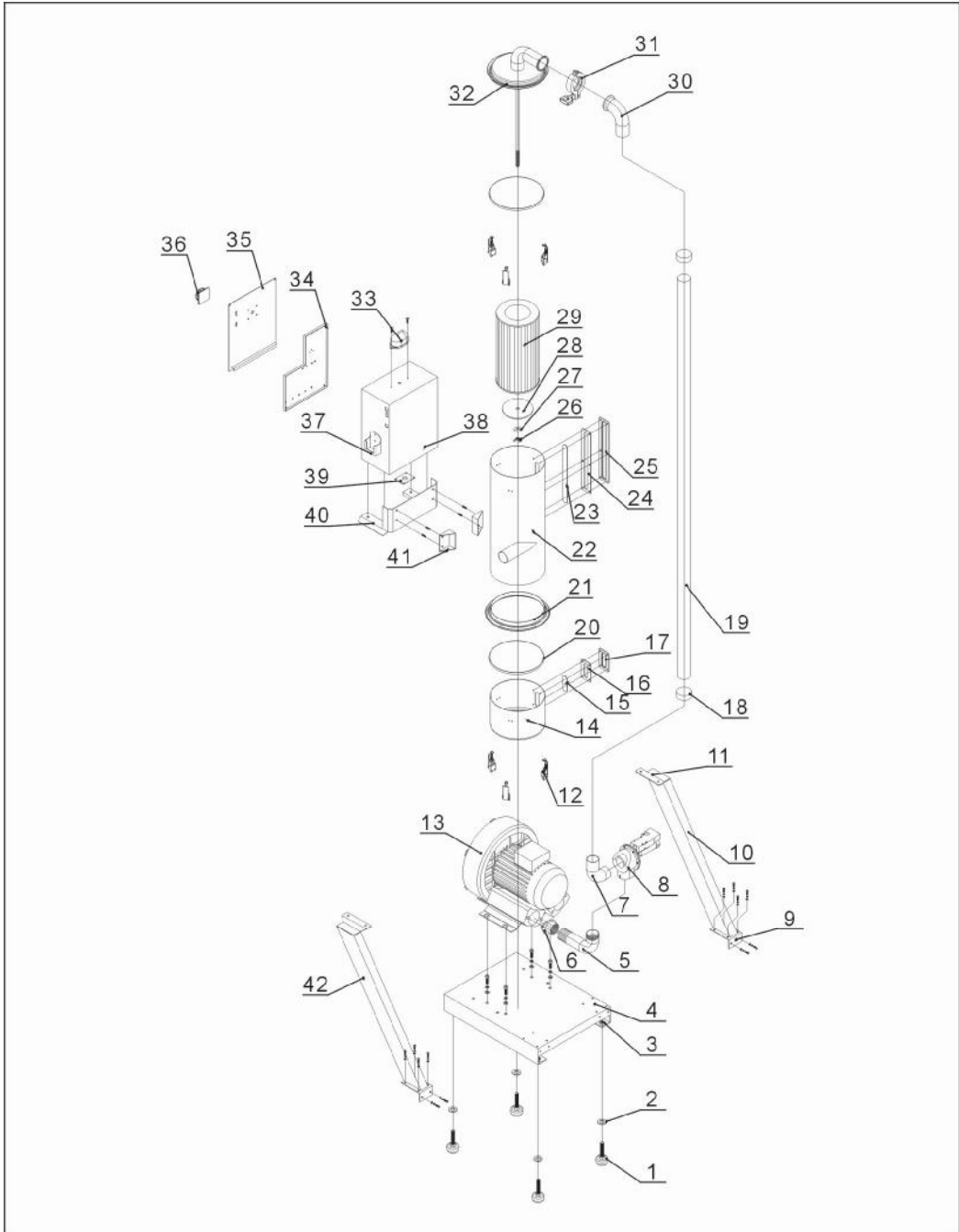
| No. | Name                          | Part No.      | No. | Name                             | Part No.       |
|-----|-------------------------------|---------------|-----|----------------------------------|----------------|
| 1   | Anti-vibration pad            | YW03005000000 | 14  | Main switch *                    | YE10200300000- |
| 2   | Base                          | BL26000100121 | 15  | Control box                      | BL21000101720  |
| 3   | Lower welding block on column | -             | 16  | Alarm light                      | YE83305100200  |
| 4   | Standing post                 | BL21000100220 | 17  | Filter barrel lid barrel         | YR10030000000  |
| 5   | Upper welding block on column | -             | 18  | Filter barrel lid                | -              |
| 6   | Air inlet pipe                | BL21000100320 | 19  | Air filter*                      | YR50708000000  |
| 7   | High pressure pipe 1HP        | BM30031000150 | 20  | Star nut                         | YW69051600000  |
|     | High pressure pipe 2HP        | BM30042000050 | 21  | Filter container seal ring**     | YR10708000100  |
| 8   | Clip                          | YW02000200000 | 22  | Spring clip*                     | YW02003000400  |
| 9   | Steel wired plastic pipe      | YR60157000000 | 23  | Acryl                            | BH32070000050  |
| 10  | Filter fixing bracket         | BL21000100120 | 24  | Seal ring                        | YR40000400000  |
| 11  | Filter barrel base fastener   | -             | 25  | Lron sheet of 4-hole sight glass | YW09000000400  |
| 12  | Filter barrel lid assembly    | -             | 26  | Filter barrel                    | BL26000203621  |
| 13  | Controller holder             | BL21000100420 |     |                                  |                |

\* means possible broken parts.

\*\* means easy broken part. and spare backup is suggested.

Please confirm the version of manual before placing the purchase order to guarantee that the item number of the spare part is in accordance with the real object.

### 2.2.3 Assembly Drawing (SAL-3.5HP/5HP-UG)



Remarks: Please refer to material list 2.2.4 for specific explanation of the Arabic numbers in Pparts drawing.

Picture 2-5: Assembly Drawing (SAL-3.5HP/5HP-UG)

## 2.2.4 Parts List (SAL-3.5HP/5HP-UG)

Chart 2-2: Parts List (SAL-3.5HP/5HP-UG)

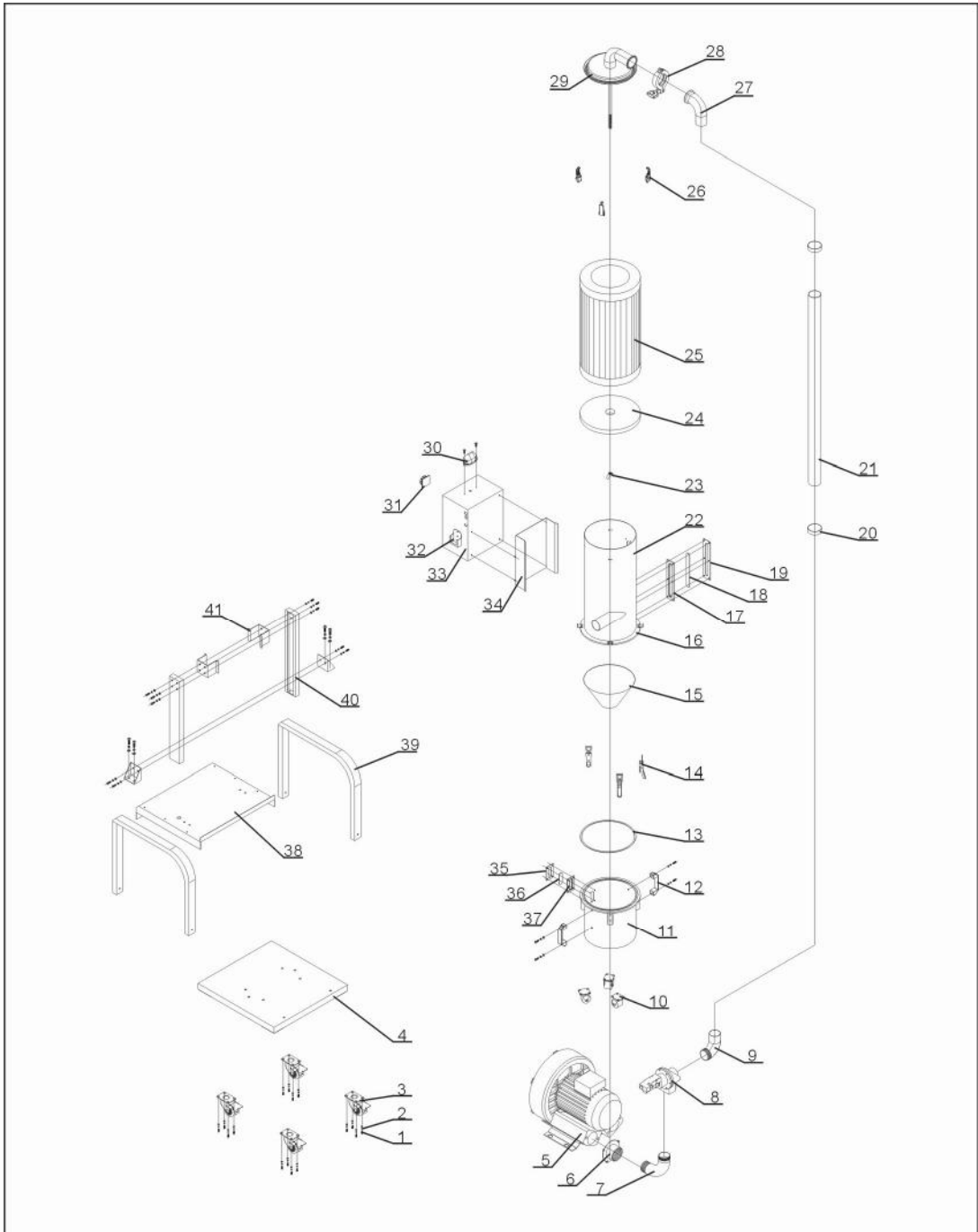
| No. | Name   | Part No.       | No. | Name                             | Part No.      |
|-----|--|----------------|-----|----------------------------------|---------------|
| 1   | Anti-vibration pad $\Phi$ 50                   | YW03005000000  | 22  | Filter barrel assembly           | -             |
| 2   | Filter barrel lid 8                            | YW66082200100  | 23  | Acryl                            | YR40001200000 |
| 3   | Nut M12  | YW64012100000  | 24  | Seal ring                        | YR40000600000 |
| 4   | Base   | BL21003500120  | 25  | Lron sheet of 4-hole sight glass | YW09000600000 |
| 5   | Air inlet fastener                             | BL26003506520- | 26  | Butterfly nut 5/16"              | YW69000800000 |
| 6   | Blower flange                                  | -              | 27  | Filter fixing plate 8            | YW66082200100 |
| 7   | Vacuum breaking diaphragm valve 1.5"           | BY20015000050  | 28  | Stator                           | BL21003500520 |
| 8   | Vacuum breaking diaphragm valve pipe connector | BL21003500420  | 29  | Air filter ADC2                  | YR50181100000 |
| 9   | Standing post lower welded block               | -              | 30  | Air suction pipe                 | -             |
| 10  | Right standing column                          | BL26003506620  | 31  | Coupling clip                    | YW07000200000 |
| 11  | Standing post top welded block                 | -              | 32  | Filter barrel lid assembly       | -             |
| 12  | Spring clip*                                   | YW02003000400  | 33  | Alarm light Lte-3051 ac220v      | YE83305100200 |
| 13  | High pressure pipe 3.5HP                       | BM30053500050  | 34  | Control base board               | -             |
|     | High pressure pipe 5HP                         | BM30055000050  | 35  | Cover board                      | -             |
| 14  | Dust collection bin                            | BL26003507021  | 36  | Main power switch                | YE10210300000 |
| 15  | Acryl  | BH32070000050  | 37  | Controller holder                | BL26010241820 |
| 16  | Seal ring                                      | YR40000400000  | 38  | Control box                      | BL26003505321 |
| 17  | Lron sheet of 4-hole Sight glass               | YW09000000400  | 39  | Fixing plate                     | -             |
| 18  | Clip 2.5"                                      | YW02002500000  | 40  | Insulation material              | -             |
| 19  | Steel wired plastic Pipe 2"                    | YR60205000100  | 41  | Control cabinet mounting plate   | -             |
| 20  | Dust collecting barrel Seal ring*              | YR10708000100  | 42  | Left standing pole               | BL26003506620 |
| 21  | Filter container ring                          | BL19003500120  |     |                                  |               |

\* means possible broken parts.

\*\* means easy broken part. and spare backup is suggested.

Please confirm the version of manual before placing the purchase order to guarantee that the item number of the spare part is in accordance with the real object.

## 2.2.5 Assembly Drawing (SAL-7.5HP/10HP/15HP-UG)



Remarks: Please refer to material list 2.2.6 for specific explanation of the Arabic numbers in parts drawing.

Picture 2-6: Assembly Drawing (SAL-7.5HP/10HP/15HP-UG)

## 2.2.6 Parts List (SAL-7.5HP/10HP/15HP-UG)

Chart 2-3: Parts List (SAL-7.5HP/10HP-UG)

| No. | Name                              | Part No.      | No. | Name                             | Part No.      |
|-----|-----------------------------------|---------------|-----|----------------------------------|---------------|
| 1   | Hex. head screw                   | YW60084000200 | 21  | Steel wire hose                  | YR60002500000 |
| 2   | Spring washer                     | YW66081600000 | 22  | Filter barrel assembly           | -             |
| 3   | 3" movable castor                 | YW03000300200 | 23  | Butterfly nut                    | YW69051600000 |
|     | 3" castor with brake              | YW03000300000 | 24  | Filter fixing plate              | BL26007504720 |
| 4   | Base                              | BL26007502721 | 25  | Air filter*                      | YR50221400000 |
| 5   | High pressure blower 7.5HP        | BM30075000050 | 26  | Spring clip                      | YW02003000400 |
|     | High pressure blower 10HP         | BM30081000050 | 27  | Filter barrel lid assembly       | -             |
| 6   | Blower flange                     | -             | 28  | 2.5" coupling clip               | YW07002500600 |
| 7   | Air inlet fastener                | BL26007504920 | 29  | Filter barrel lid assembly       | -             |
| 8   | Pneumatic diaphragm valve         | BY20020000150 | 30  | Alarm light                      | YE83305100200 |
| 9   | Pneumatic valve coupling          | BL26007502020 | 31  | Main switch                      | YE10210300000 |
| 10  | Castor                            | YW03002500000 | 32  | Controller holder                | BL26010241820 |
| 11  | Dust collecting barrel            | BL26007502421 | 33  | Control cabinet                  | BL26007503521 |
| 12  | Aluminium handle                  | BW20012000040 | 34  | Control cabinet mounting plate   | -             |
| 13  | Dust collecting barrel seal ring* | -             | 35  | Iron sheet of 4-hole sight glass | YW09000000400 |
| 14  | Large handle                      | YW02003000100 | 36  | Acryl                            | BH32070000050 |
| 15  | Cyclone baffle                    | -             | 37  | 4-holes window seal ring         | YR40000400000 |
| 16  | Bottom ring of filter barrel      | -             | 38  | Middle board                     | -             |
| 17  | 6-holes window seal ring          | YR40000600000 | 39  | Supporting frame 1               | -             |
| 18  | Acryl                             | YR40001200000 | 40  | Pillar of filter barrel          | -             |
| 19  | Iron sheet of 6-hole sight glass  | YW09000600000 | 41  | Filter fixing bracket            | -             |
| 20  | Clip                              | YW02002500000 |     |                                  |               |

\* means possible broken parts.

\*\* means easy broken part. and spare backup is suggested.

Please confirm the version of manual before placing the purchase order to guarantee that the item number of the spare part is in accordance with the real object.

Chart 2-4: Parts List (SAL-15HP-UG)

| No. | Name                              | Part No.       | No. | Name                             | Part No.      |
|-----|-----------------------------------|----------------|-----|----------------------------------|---------------|
| 1   | Hex. head screw                   | YW60084000200  | 21  | Steel wire hose                  | YR60002500000 |
| 2   | Spring washer                     | YW66081600000  | 22  | Filter barrel assembly           | -             |
| 3   | 3" movable castor                 | YW03000300200  | 23  | Butterfly nut                    | YW69051600000 |
|     | 3" castor with brake              | YW03000300000  | 24  | Filter fixing plate              | BL26007504720 |
| 4   | Base                              | BL26001500921  | 25  | Air filter*                      | YR50221400000 |
| 5   | High pressure blower 15HP         | YM30091900000  | 26  | Spring clip*                     | YW02003000400 |
| 6   | Blower flange                     | -              | 27  | Filter barrel lid assembly       | -             |
| 7   | Air inlet fastener                | BL26007504920- | 28  | 2.5" coupling clip               | YW07000300000 |
| 8   | Pneumatic diaphragm valve         | BY20020000150  | 29  | Filter barrel lid assembly       | -             |
| 9   | Pneumatic valve coupling          | BL26007502020  | 30  | Alarm light                      | YE83305100200 |
| 10  | Castor                            | YW03002500000  | 31  | Main switch                      | YE10210300000 |
| 11  | Dust collecting barrel            | BL26001501421  | 32  | Controller holder                | BL26010241820 |
| 12  | Aluminium handle                  | BW20012000040  | 33  | Control cabinet                  | BL26001501921 |
| 13  | Dust collecting barrel seal ring* | -              | 34  | Control cabinet mounting plate   | -             |
| 14  | Large handle                      | YW02003000100  | 35  | Iron sheet of 4-hole sight glass | YW09000000400 |
| 15  | Cyclone baffle                    | -              | 36  | Acryl                            | YR40001200100 |
| 16  | Bottom ring of filter barrel      | -              | 37  | 4-holes window seal ring         | YR40000400000 |
| 17  | 6-holes window seal ring          | YR40000600000  | 38  | Middle board                     | -             |
| 18  | Acryl                             | YR40001200000  | 39  | Supporting frame 1               | -             |
| 19  | Iron sheet of 6-hole sight glass  | YW09000600000  | 40  | Pillar of filter barrel          | -             |
| 20  | Clip                              | YW02002500000  | 41  | Filter fixing bracket            | -             |

\* means possible broken parts.

\*\* means easy broken part. and spare backup is suggested.

Please confirm the version of manual before placing the purchase order to guarantee that the item number of the spare part is in accordance with the real object.