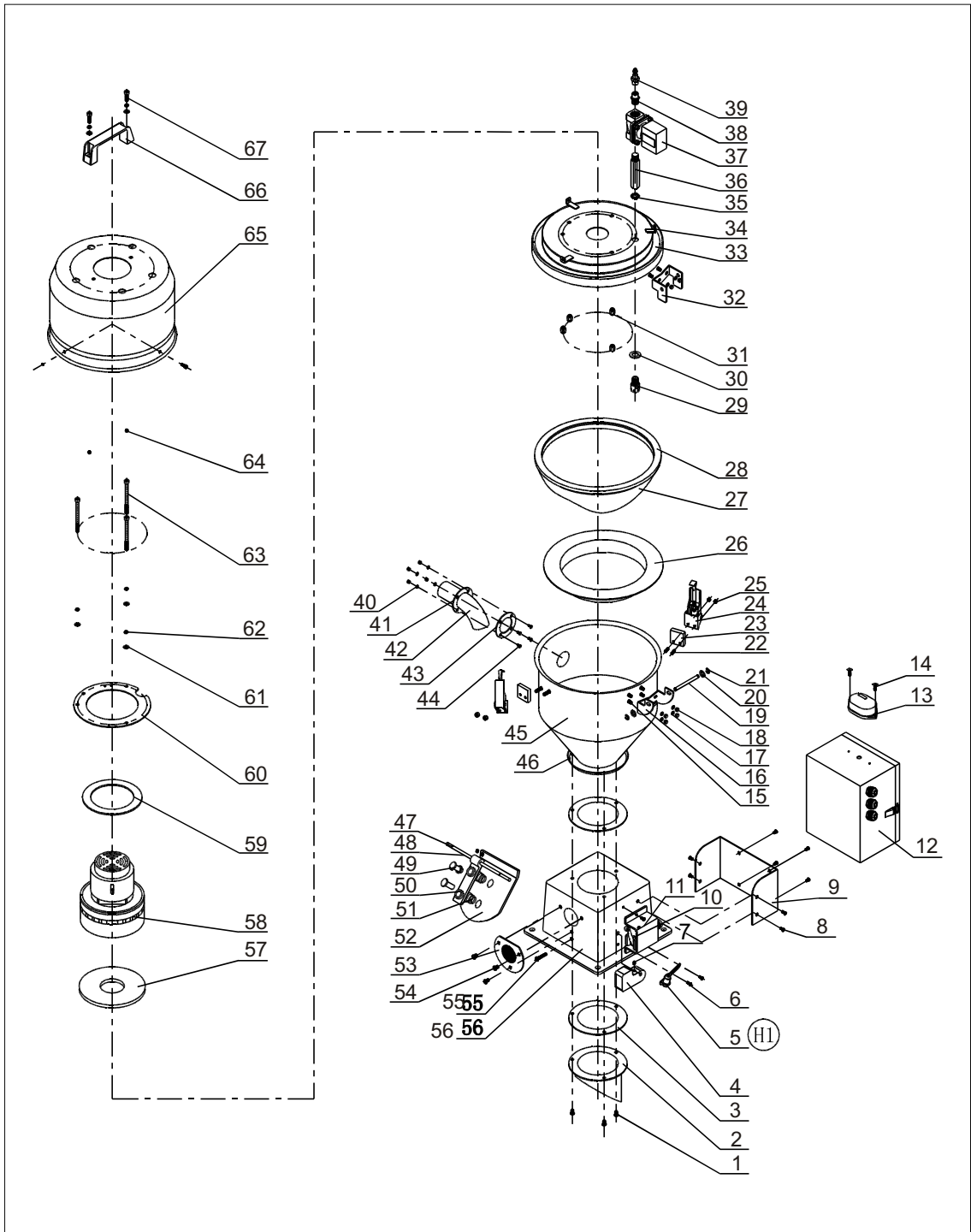


8.2 Assembly Drawing of SAL-330



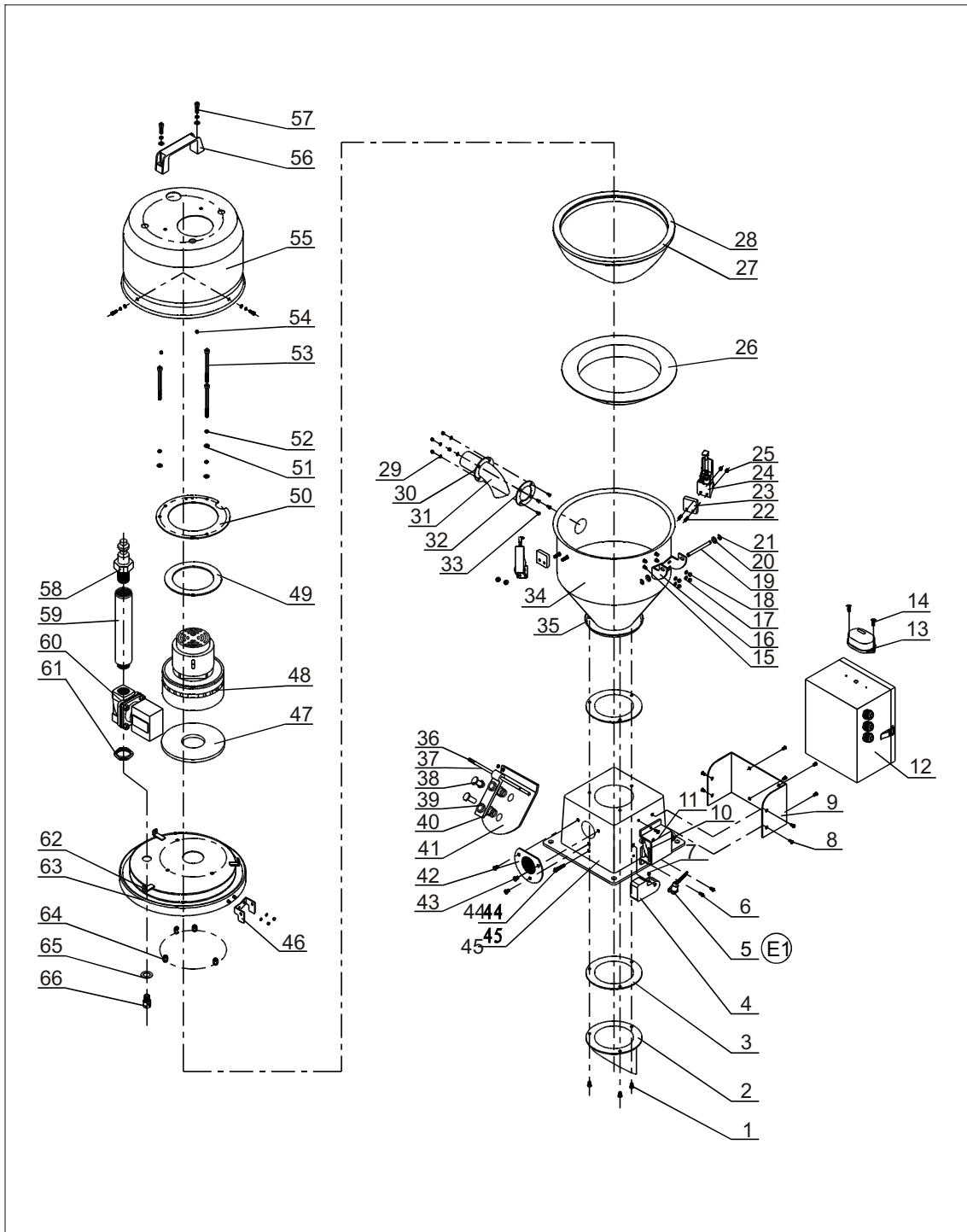
8.3 Parts List of SAL-330

No.	Parts Name	Part No.	No.	Parts Name	Part No.
1	Cross socket head cap screw M5 × 15	YW62051500000	30	Washer	BP62201000050
2	Grit hole**	-	31	Sunk rivet nut M6	YW64060200000
3	Base fastener	YR10046000000	32	Upper hinge	-
4	Counter weight hammer	-	33	Hopper lid	-
5	Ejector rob	-	34	Fixed seat of motor cover	-
6	Cross socket head cap screw M4 × 10	YW63041000000	35	Connection nut	-
7	Set screw M × 10	YW68005500000	36	Connector 2	-
8	Cross socket head cap screw M5 × 10	YW62051000100	37	Solenoid valve	YE32213100000
9	Fixed board of control box	-	38	Connector 3	-
10	Micros witch*	YE14511200000	39	Jiffy quick connector	YW80031400000
11	Micros witchbox	YR40000600600	40	Flat gasket 4	YW66040800000
12	Control box	-	41	Fixed piece of material inlet pipe	-
13	Alarm light	YE83305100200	42	Material inlet pipe	-
14	Cross socket head cap screw M3 × 10	YW63031500000	43	Material inlet pipe fastener	-
15	Welding stub bolt M5 × 10	YE69051000000	44	Welding stub bolt M4 × 10	YW69041000000
16	Lower hinge	-	45	Material storage tank	-
17	Locknut M5	YW64000500000	46	Hopper flange	-
18	Flat gasket 5	YW66051000100	47	E-rings 5	YW66000300000
19	hinge pin	-	48	Stainless steel rod	-
20	Flat gasket 8	YW66082200100	49	Discharging plate rivet	-
21	E-rings	YW66000500000	50	Aluminum accessories	-
22	Welding stub bolt M4 × 15	YW69041500100	51	Discharging plate Spring	YW01033000000
23	Spring fastener gasket	YR40000600300	52	Discharging plate	-
24	Snap hook**	YW02003000400	53	Air vent window	YR40002400000
25	Locknut M4 × 0.7	YW64040700100	54	Cross socket head cap screw M6 × 10	YW62061000000
26	Split washer of filter cloth **	-	55	Cross socket head cap screw M6 × 35	YW63063500000
27	Filter bag**	-	56	Square base	-
28	Hopper fastener*	-	57	Motor fastener (lower)	-
29	Backwashing sprayer	-	58	Carbon brush motor	YM30965600000

No.	Parts Name	Part No.	No.	Parts Name	Part No.
59	Motor fastener (upper)	YP62141200000	64	Locknut M6	YW64000600200
60	Motor fixed board	-	65	Motor cover	-
61	Flat gasket 6	YW66061300000	66	L120 square aluminum handle	BW20012000040
62	Spring gasket 6	YW65006000000	67	Inner hexagon column screw M6 × 20	YW61062000200
63	Inner hexagon column screw M6 × 90	YW61069000100			

* means possible broken parts. ** means easy broken part. and spare backup is suggested.

8.4 Assembly Drawing of SAL-360



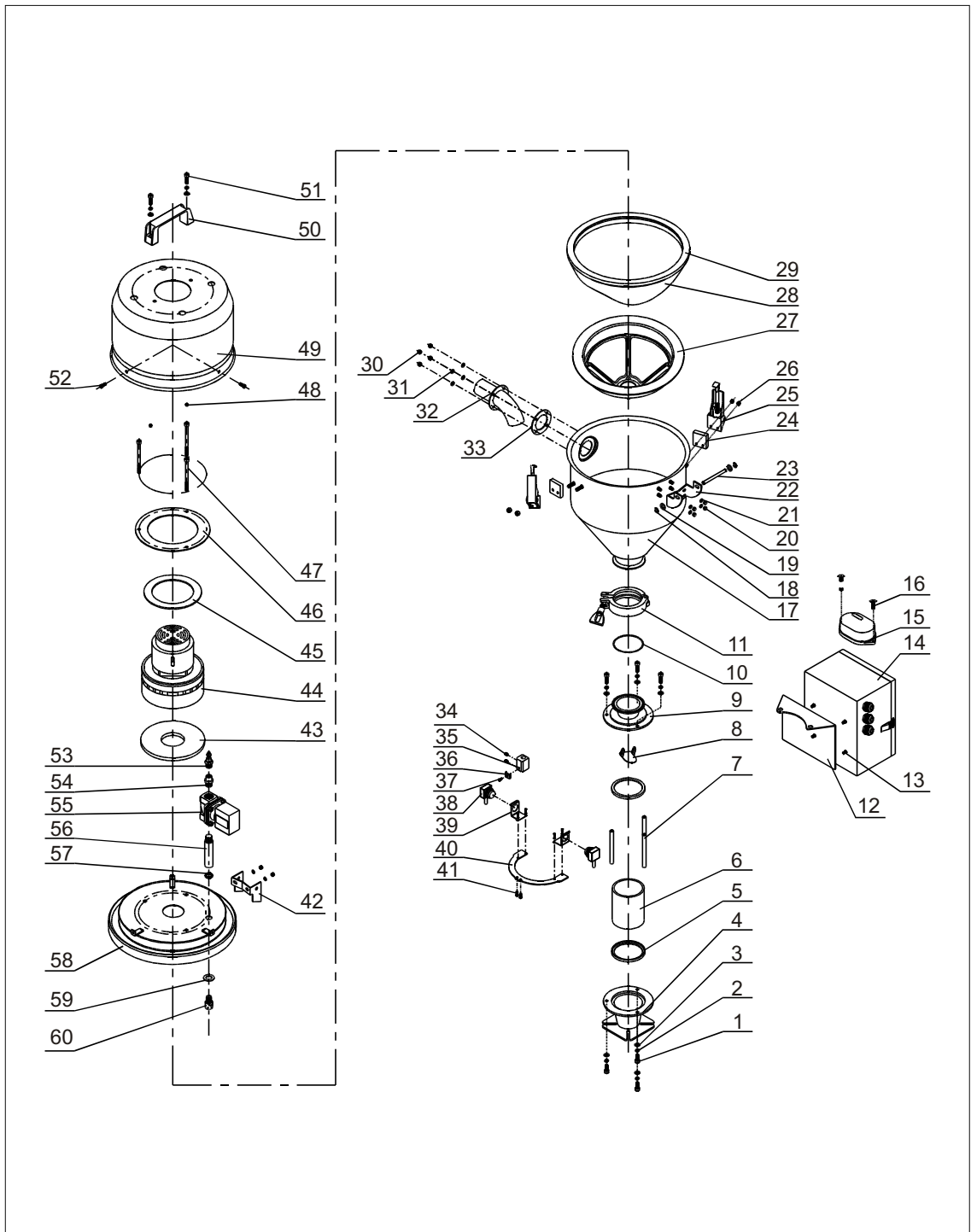
8.5 Parts List of SAL-360

No.	Parts Name	Part No.	No.	Parts Name	Part No.
1	Cross socket head cap screw M5 × 15	YW62051500000	30	Fixed piece of material inlet pipe	-
2	Grit hole**	-	31	Material inlet pipe	-
3	Base fastener	YR10046000000	32	Material inlet pipe fastener	-
4	Counter weight hammer	-	33	Welding stub bolt M4 × 10	YW69041000000
5	Ejector rob	-	34	Material storage tank	-
6	Cross socket head cap screw M4 × 10	YW63041000000	35	Hopper flange	-
7	Set screw M × 10	YW68005500000	36	E-rings 5	YW66000300000
8	Cross socket head cap screw M5 × 10	YW62051000100	37	Stainless steel rod	-
9	Fixed board of control box	-	38	Discharging plate rivet	-
10	Micros witch*	YE14511200000	39	Aluminum accessories	-
11	Micros witchbox	YR40000600600	40	Discharging plate Spring	YW01033000000
12	Control box	-	41	Discharging plate	-
13	Alarm light	YE83305100200	42	Air vent window	YR40002400000
14	Cross socket head cap screw M3 × 10	YW63031500000	43	Cross socket head cap screw M6 × 10	YW62061000000
15	Welding stub bolt M5 × 10	YW63031500000	44	Cross socket head cap screw M6 × 35	YW63063500000
16	Lower hinge	--	45	Square base	-
17	Locknut M5	YW64000500000	46	Upper hinge	-
18	Flat gasket 5	YW66051000100	47	Motor fastener (lower)	-
19	hinge pin	-	48	Carbon brush motor	YM30965600000
20	Flat gasket 8	YW66082200100	49	Motor fastener (upper)	YP62141200000
21	E-rings	YW66000500000	50	Motor fixed board	-
22	Welding stub bolt M4 × 15	YW69041500100	51	Flat gasket 6	YW66061300000
23	Spring fastener gasket	YR40000600300	52	Spring gasket 6	YW65006000000
24	Snap hook**	YW02003000400	53	Inner hexagon column screw M6 × 90	YW61069000100
25	Locknut M4 × 0.7	YW64040700100	54	Locknut M6	YW64000600200
26	Split washer of filter cloth **	-	55	Motor cover	--
27	Filter bag**	-	56	L120 square aluminum handle	BW20012000040
28	Hopper fastener*	-	57	Inner hexagon column screw M6 × 20	YW61062000200
29	Flat gasket 4	YW66040800000	58	Jiffy quick connector	YW80031400000

No.	Parts Name	Part No.	No.	Parts Name	Part No.
59	Connector 2	-	63	Hopper lid	-
60	Solenoid valve	YE32213100000	64	Sunk rivet nut M6	YW64060200000
61	Connection nut	-	65	Washer	BP62201000050
62	Fixed seat of motor cover	-	66	Backwashing sprayer	-

* means possible broken parts. ** means easy broken part. and spare backup is suggested.

8.6 Assembly Drawing of SAL-330E



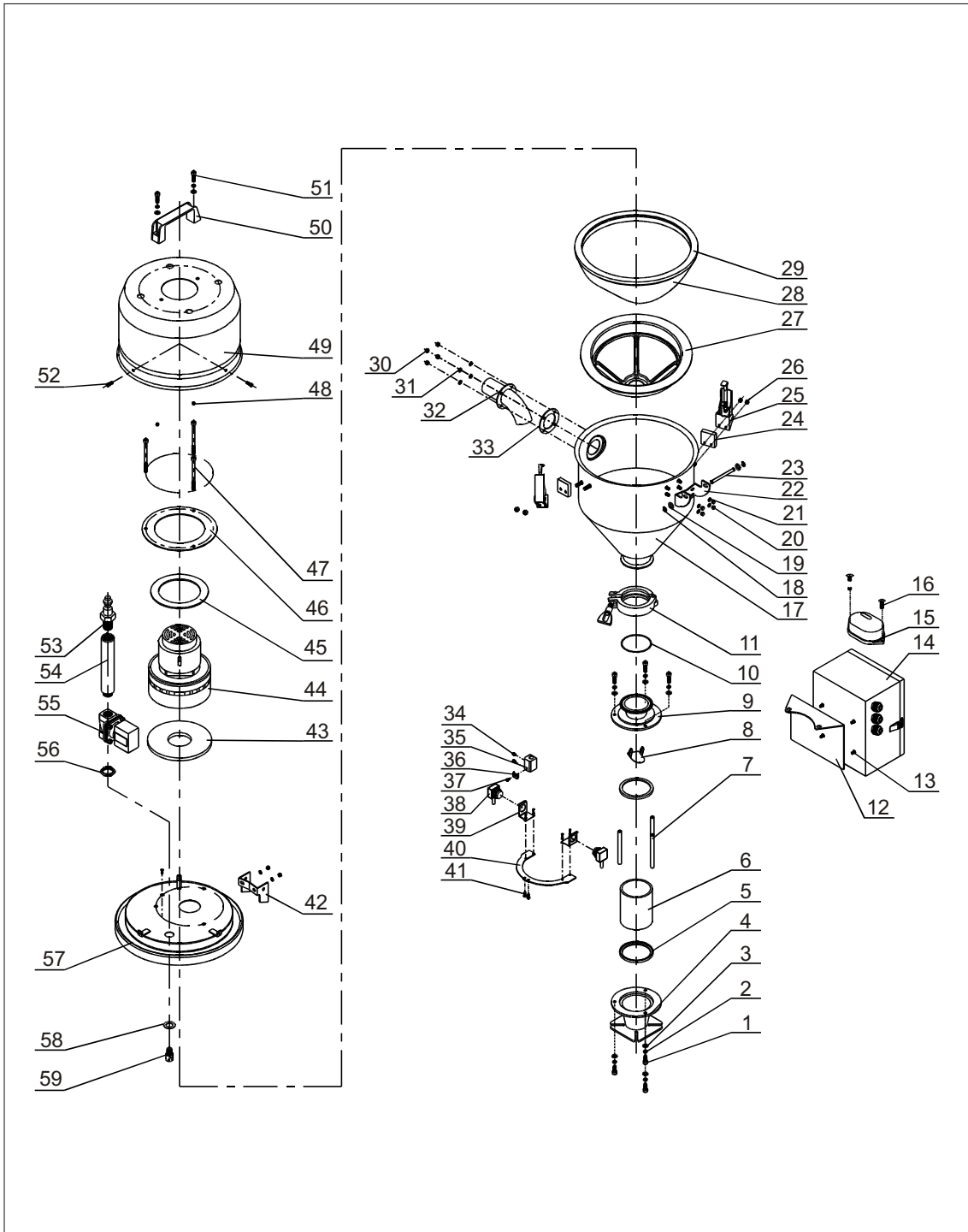
8.7 Parts List of SAL-330E

No.	Parts Name	Part No.	No.	Parts Name	Part No.
1	Inner hexagon cylindrical screw M6 × 15	YW61061600300	30	Locknut M4 × 0.7	YW64040700100
2	Spring gasket 6	YW65006000000	31	Flat gasket 4	YW66040800000
3	Flat gasket 6	YW66061300000	32	Material inlet pipe	BL32333600020
4	Glass tube lower flange	BW32000600000	33	Material inlet pipe fastener	YR10150300000
5	Glass pipe packing	YR10060200000	34	Set screw M4 × 5	YW68004500000
6	Glass tube	YW70908000000	35	Photosensor fixed housing	YW20061500000
7	Flange connection shaft	BH10101100040	36	Photosensor cable pressure block	YW31616200000
8	Non-return flap	BL21000600820	37	Cross socket head cap scre M4 × 10	YW63041000000
9	Glass pipe upper flange	YW32000600200	38	Photosensor	YE15143900000
10	O type seal ring	YR20802600000	39	Light sensor installing block	-
11	Stainless steel pipe clamp	YW07000300000	40	Photosensor fixed piece	BL21061200020
12	Control box fixation plate	-	41	Cross socket head cap scre M4 × 10	YW63041000000
13	Cross socket head cap scre M5 × 10	YW62051000100	42	Upper hinge	BL32000600240
14	Control box	BH32336000450	43	Motor fastener (lower)	YR10135500000
15	Alarm light	YE83305100200	44	Carbon brush motor	YM30965600000
16	Cross socket head cap scre M3 × 10	YW63031500000	45	Motor fastener (upper)	YP62141200000
17	Material storage tank	-	46	Motor fixed board	-
18	E-rings 6	YW66000600000	47	Inner hexagon cylindrical screw M6 × 90	YW61069000100
19	Flat gasket 8	YW66082200100	48	Locknut M6	YW64000600200
20	Locknut 5	YW64000500000	49	Motor cover	YR40033000000
21	Flat gasket 5	YW66051000100	50	L120 square aluminum handle	BW20012000040
22	Lower hinge	BL32000600140	51	Inner hexagon column screw M6 × 20	YW61062000200
23	Hinge pin	BH10006003110	52	Cross socket head cap screw M5 × 15	YW62051500000
24	Snap hook pressure block	YR40000600300	53	Jiffy quick connector	YW80031400000
25	Snap hook	YW02003000400	54	Connector 3	BH13031100010
26	Locknut M4 × 0.7	YW64040700100	55	Solenoid valve	YE32213100000
27	Split washer of filter cloth	YR40003000100	56	Connector 2	BH13030300010
28	Filter bag	BP82003000044	57	Connection nut 1	BH12030400410
29	Hopper fastener	YR10000300100	58	Hopper lid	-

No.	Parts Name	Part No.	No.	Parts Name	Part No.
59	Washer	BR10281500050	60	Backwashing sprayer	BH13033000810

* means possible broken parts. ** means easy broken part. and spare backup is suggested.

8.8 Assembly Drawing of SAL-360E



8.9 Parts List of SAL-360E

No.	Parts Name	Part No.	No.	Parts Name	Part No.
1	Inner hexagon cylindrical screw M6 × 15	YW61061600300	30	Locknut M4 × 0.7	YW64040700100
2	Spring gasket 6	YW65006000000	31	Flat gasket 4	YW66040800000
3	Flat gasket 6	YW66061300000	32	Material inlet pipe	BL32000600020
4	Glass tube lower flange	BW32000600000	33	Material inlet pipe fastener	YR10061200000
5	Glass pipe packing	YR10060200000	34	Set screw M4 × 5	YW68004500000
6	Glass tube	YW70908000000	35	Photosensor fixed housing	YW20061500000
7	Flange connection shaft	BH10101100040	36	Photosensor cable pressure block	YW31616200000
8	Non-return flap	BL21000600820	37	Cross socket head cap scre M4 × 10	YW63041000000
9	Glass pipe upper flange	YW32000600200	38	Photosensor	YE15143900000
10	O type seal ring	YR20802600000	39	Light sensor installing block	-
11	Stainless steel pipe clamp	YW07000300000	40	Photosensor fixed piece	BL21061200020
12	Control box fixation plate	-	41	Cross socket head cap scre M4 × 10	YW63041000000
13	Cross socket head cap scre M5 × 10	YW62051000100	42	Upper hinge	BL32000600240
14	Control box	BH32336000450	43	Motor fastener (lower)	YR10135500000
15	Alarm light	YE83305100200	44	Carbon brush motor	YM30965600000
16	Cross socket head cap scre M3 × 10	YW63031500000	45	Motor fastener (upper)	YP62141200000
17	Material storage tank	-	46	Motor fixed board	-
18	E-rings 6	YW66000600000	47	Inner hexagon cylindrical screw M6 × 90	YW61069000100
19	Flat gasket 8	YW66082200100	48	Locknut M6	YW64000600200
20	Locknut 5	YW64000500000	49	Motor cover	YR40033000000
21	Flat gasket 5	YW66051000100	50	L120 square aluminum handle	BW20012000040
22	Lower hinge	BL32000600140	51	Inner hexagon column screw M6 × 20	YW61062000200
23	Hinge pin	BH10006003110	52	Cross socket head cap screw M5 × 15	YW62051500000
24	Snap hook pressure block	YR40000600300	53	Jiffy quick connector	YW80031400000
25	Snap hook	YW02003000400	54	Connector 2	-
26	Locknut M4 × 0.7	YW64040700100	55	Solenoid valve	YE32213100000
27	Split washer of filter cloth	YR40006000000	56	Connection nut	BH12030400410
28	Filter bag	BP82003000044	57	Hopper lid	-
29	Hopper fastener	YR10000600200	58	垫片	BR10281500050

No.	Parts Name	Part No.	No.	Parts Name	Part No.
59	Backwashing sprayer	BH13033000810			

* means possible broken parts. ** means easy broken part. and spare backup is suggested.