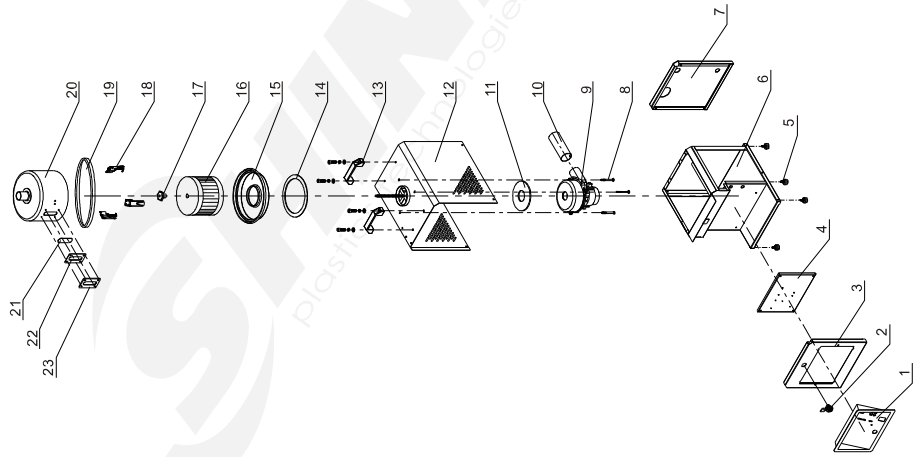


2.分解零件圖 PARTS

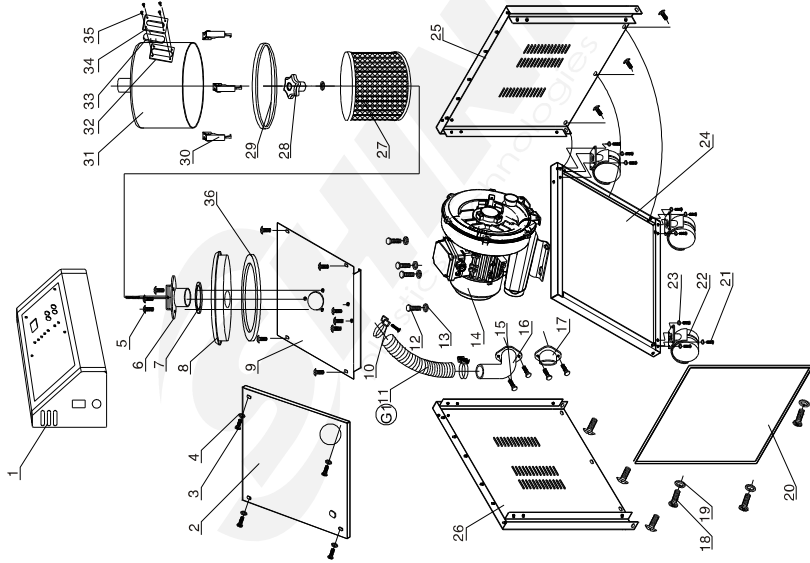
2.1 SAL-700



2.1.1 SAL-700分解零件表 Spare Parts List

序號/Nos.	名稱	Component Name	物料編號/Parts number
1	面板	Panel	YR400700000000
2	門鎖	Door lock	YW000006000000
3	門板	Door plate	-
4	電氣固定板	Electrical components fix plate	-
5	腳墊	Foor cushion	YR40301740000
6	外架組件	Frame components	
7	後板	Back plate	-
8	內六角圓頭螺釘	Inner hexagon column screw	YW61066500100
9	碳刷馬達	Carbon brush motor	-
10	排風管	Air outlet pipe	-
11	馬達迫緊	Motor fastener	YP62141200000
12	外罩	Outside cover	-
13	鋁方型拉手	Square aluminum handle	BW20012000040
14	自粘海綿迫緊	Sponge Fastener	YP62141200000
15	過濾桶蓋	Filter cover	-
16	過濾器	Filter	YR50708000100
17	梅花螺母	Octagon nut	YW09051600000
18	彈簧扣	Spring buckle	YW02003000400
19	過濾桶迫緊	Filter seal	YR10708000100
20	過濾桶	Filter barrel	-
21	四孔壓克力	Four-hole acrylic	YR40001200100
22	四孔視料窗迫緊	Four-hole visual window seal	YR40000400000
23	四孔視料窗鏡片	Four-hole visual window chip	BH90000400050

2.2 SAL-800G1 / G2



2.2.1 SAL-800G1 / G2 分解零件表 Spare Parts List

序號/Nos.	名稱	Component Name	物料編號/Parts number
1	控制箱	Control box	-
2	後板	Back plate	-
3	十字槽圓柱頭螺釘 M6*15	Cross recessed cheese head screws M6*15	YW620615000000
4	平墊圈 8*22	Flat washer 8*22	YW660822000000
5	十字槽圓柱頭螺釘 M6*10	Cross recessed cheese head screws M6*10	YW620610000000
6	過濾補底座	Filter base	-
7	過濾補底座迫緊	Filter base seal	-
8	過濾補蓋	Filter cover	-
9	上面板	Top plate	BL320800000000
10	管束 2	Bundle 2 "	YW020057000000
11	鋼絲螺紋管 2"	Steel-wire screwed pipe 2 "	-
12	六角頭螺絲 M8*25	Hex bolts M 8*25	YW61083000100
13	彈簧墊圈 8	Spring washer 8	YW650080000000
14	馬達 1HP	Motor 1HP	BM30031000150
15	十字槽圓柱頭螺釘 M5*25	Cross recessed cheese head screws M5*25	YW620525000000
16	彎頭	Elbow	YR400200000000
17	排風口	Air outlet	Yr40080000200
18	十字槽圓柱頭螺釘 M6*15	Cross recessed cheese head screws M6*10	YW630615000000
19	平墊圈 6*13	Flat washer 6*13	YW660612000000
20	前面板	Front plate	BL2008000000920
21	十字槽圓柱頭螺釘 M5*10	Cross recessed cheese head screws M5*10	YW630508000000
22	嚮向輪 2	Truckle 2 "	YW030002000000
23	彈簧墊圈 5	Spring washer 5	YW650052000000
24	底板	Floor plate	BL200800000020
25	右側板	Right flank board	-
26	左側板	Left flank board	-
27	過濾器	Filter	YR50708000100

## 2.分解零件圖 PARTS

序號/Nos.	名稱	Component Name	物料編號/Parts number
28	梅花螺母	Octagon nut	YW09051600000
29	過濾桶迫緊	Filter seal	YR10708000100
30	彈簧扣	Spring buckle	YW02003000400
31	過濾桶	Filter barrel	-
32	四孔視料窗迫緊	Four-hole visual window seal	YR40000400000
33	壓克力	Acrylic	YR40001200100
34	四孔視料窗	Four-hole visual window	YW09000000400
35	十字槽圓柱頭螺釘 M5*25	Cross recessed cheese head screws M5*25	YW62051500000
36	迫緊	Seal	YP62141200000



## 2.分解零件圖 PARTS

### 2.3 SAL-900G1/G2

