

8.1.1 Parts List

Table 8-1: Parts List

No.	Name	Part number		
		ST3-700-1400	ST3-900-1600	ST3-1100-1800
1	Base	BH73710000010	BH73710000010	BH73710000010
2	Fixing plate of beam installation	-	-	-
3	End cover of beam	-	-	-
4	Fixing sliding block	YW09161400110	YW09161400110	YW09161400110
5	Limited sensor panel	BL69335000020	BL69335000020	BL69335000020
6	Steel wire belt	-	-	-
7	Belt fixing frame	-	-	-
8	Bolster	BH91151200010	BH91151200010	BH91151200010
9	Buffer cap	YW80200000000	YW80200000000	YW80200000000
10	Belt pressure plate	BH91050900040	BH91050900040	BH91050900040
11	Belt splint connecting piece	BL70110100020	BL70110100020	BL70110100020
12	Synchronous belt	-	-	-
13	Servo driven motor	-	-	-
14	Speed reducer	-	-	-
15	Fixing plate of traverse drag chain	BL70330300020	BL70330300020	BL70330300020
16	Vertical aluminum profile connection board	-	-	-
17	Fixing shaft on vertical beam	-	-	-
18	Washer	BH70456600040	BH70456600040	BH70456600040
19	Sliding seat	-	-	-
20	Proximity switch	-	-	-
21	Motor supporting frame	BH10155000010	BH10155000010	BH10155000010
22	Connection shaft	BH91303900010	BH91303900010	BH91303900010
23	Pully bearing	YW11600500000	YW11600500000	YW11600500000
24	Pully	BH91030000010	BH91030000010	BH91030000010
25	Special washer	BL70107700040	BL70107700040	BL70107700040
26	Synchronous wheel	YW08621900100	YW08621900100	YW08621900100
27	Cover of motor supporting frame	BL21000100520	BL21000100520	BL21000100520
28	Brake resistor	YE20200450000	YE20200450000	YE20200450000
29	Fixing plate of pressure switch	-	-	-
30	Pressure switch	-	-	-
31	Hinge	YW06253200000	YW06253200000	YW06253200000
32	Exhaust fan	-	-	-
33	Driven mounting plate	-	-	-
34	Driver	-	-	-
35	Traverse terminal installation frame	-	-	-
36	Traverse terminal bottom frame	-	-	-
37	Lock	YW00000000100	YW00000000100	YW00000000100
38	Trapezoid plastic handle	YR40914040000	YR40914040000	YR40914040000
39	Sliding seat cover	BL77050300020	BL77050300020	BL77050300020
40	Traverse drag chain	-	-	-
41	Belt fixing frame1	BL71010900020	BL71010900020	BL71010900020

42	Safety sensor panel of mold	BL69002200020	BL69002200020	BL69002200020
43	End cover of traverse beam	BL70103300020	BL70103300020	BL70103300020
44	Aluminum profile of traverse	BH79571400110	BH91059160010	BH10101840010
45	Traverse drag chain supporting frame	BL70371420020	BL70391020020	BL70311820020
46	Cover of control box	BL73714001120	BL70330400020	BL70330400020
47	Connection plate of grounder	BL70126000020	BL70126000020	BL70126000020
48	Filter mounting plate	BL73714002120	BL73714002120	BL73714002120
49	Control box	BL73714000020	BL70330500020	BL70330500020
50	Filter regulating valve	YE30325000000	YE30325000000	YE30325000000

* means possible broken parts.

** means easy broken part. and spare backup is suggested.

Please confirm the version of manual before placing the purchase order to guarantee that the item number of the spare part is in accordance with the real object.

Table 8-2: Parts List

No.	Name	Part number			
		ST3-700-1400T	ST3-700-1400HT	ST3-900-1600T	ST3-900-1600HT
1	Base	BH73710000010	BH73710000010	BH73710000010	BH73710000010
2	Fixing plate of beam installation	-	-	-	-
3	End cover of beam	-	-	-	-
4	Fixing sliding block	YW09161400110	YW09161400110	YW09161400110	YW09161400110
5	Limited sensor panel	BL69335000020	BL69335000020	BL69335000020	BL69335000020
6	Steel wire belt	-	-	-	-
7	Belt fixing frame	-	-	-	-
8	Bolster	BH91151200010	BH91151200010	BH91151200010	BH91151200010
9	Buffer cap	YW80200000000	YW80200000000	YW80200000000	YW80200000000
10	Belt pressure plate	YW09564900110	YW09564900110	YW09564900110	YW09564900110
11	Belt splint connecting piece	BL70110100020	BL70110100020	BL70110100020	BL70110100020
12	Synchronous belt	-	-	-	-
13	Servo driven motor	-	-	-	-
14	Speed reducer	-	-	-	-
15	Fixing plate of traverse drag chain	BL70330300020	BL70330300020	BL70330300020	BL70330300020
16	Vertical aluminum profile connection board	-	-	-	-
17	Fixing shaft on vertical beam	-	-	-	-
18	Washer	BH70456600040	BH70456600040	BH70456600040	BH70456600040
19	Sliding seat	-	-	-	-
20	Proximity switch	-	-	-	-
21	Motor supporting frame	BH10155000010	BH10155000010	BH10155000010	BH10155000010
22	Connection shaft	BH91303900010	BH91303900010	BH91303900010	BH91303900010
23	Pully bearing	YW11600500000	YW11600500000	YW11600500000	YW11600500000
24	Pully	BH91030000010	BH91030000010	BH91030000010	BH91030000010
25	Special washer	BL70107700040	BL70107700040	BL70107700040	BL70107700040
26	Synchronous wheel	BL70107700040	BL70107700040	BL70107700040	YW08621900100
27	Cover of motor supporting frame	BL70107700040	BL70107700040	BL70107700040	BL21000100520
28	Brake resistor	BL70107700040	BL70107700040	BL70107700040	YE20100500100
29	Fixing plate of pressure switch	-	-	-	-
30	Pressure switch	-	-	-	-
31	Hinge	YW06253200000	YW06253200000	YW06253200000	YW06253200000
32	Exhaust fan	YW06253200000	YW06253200000	YW06253200000	YM50801502400
33	Driven mounting plate	-	-	-	-
34	Driver	-	-	-	-

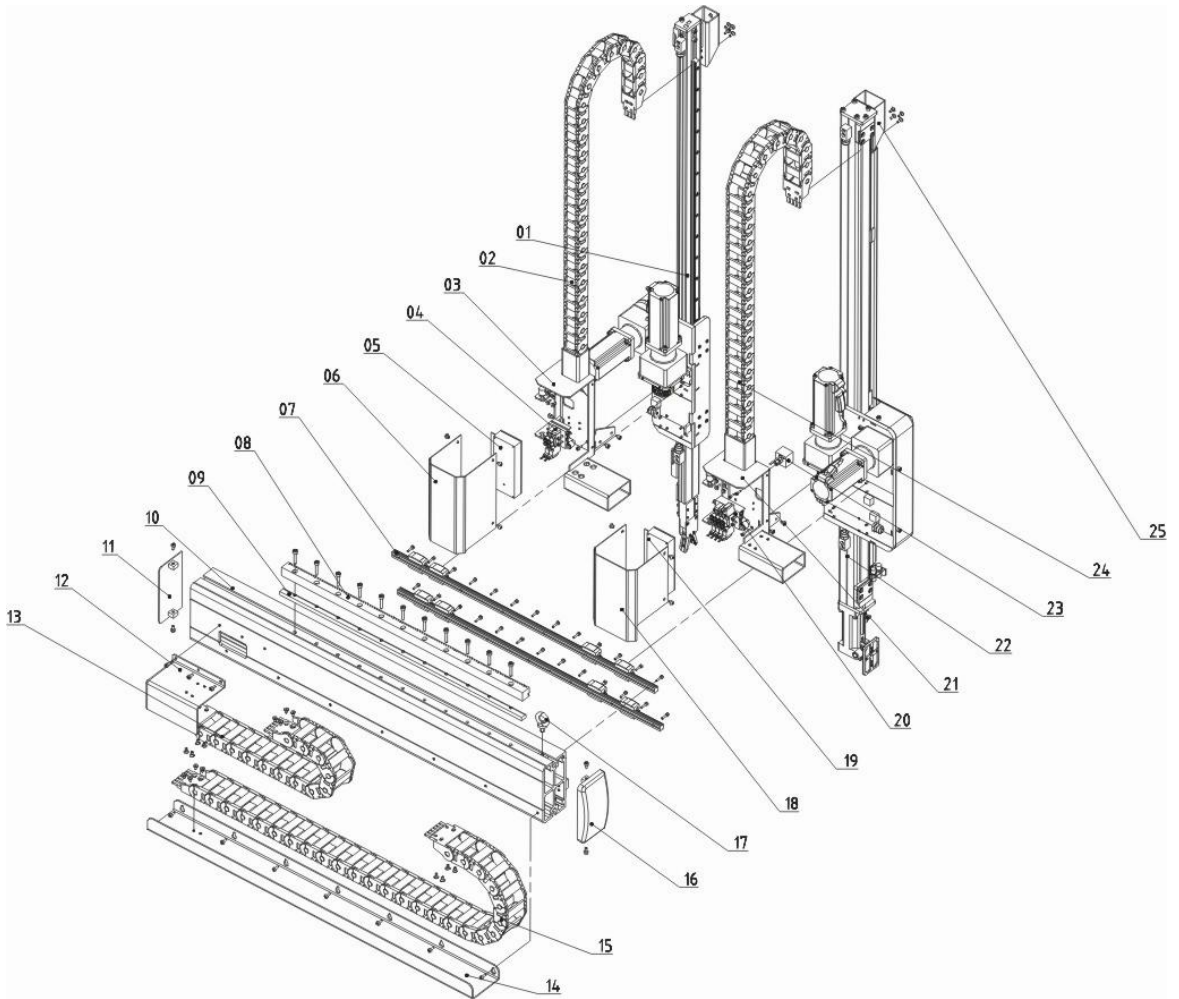
35	Traverse terminal installation frame	-	-	-	-
36	Traverse terminal bottom frame	-	-	-	-
37	Lock	YW00000000100	YW00000000100	YW00000000100	YW00000000100
38	Trapezoid plastic handle	YR40914040000	YR40914040000	YR40914040000	YR40914040000
39	Sliding seat cover	BL77050300020	BL77050300020	BL77050300020	BL77050300020
40	Traverse drag chain	-	-	-	-
41	Belt fixing frame1	BL71010900020	BL71010900020	BL71010900020	BL71010900020
42	Safety sensor panel of mold	BL69002200020	BL69002200020	BL69002200020	BL69002200020
43	End cover of traverse beam	BL70103300020	BL70103300020	BL70103300020	BL70103300020
44	Aluminum profile of traverse	BH79571400110	BH79571400110	BH10101840010	BH10101840010
45	Traverse drag chain supporting frame	BL70371420020	BL70371420020	BL70511800020	BL70511800020
46	Cover of control box	BL73714001120	BL73714001120	BL70330400020	BL70330400020
47	Connection plate of grounder	BL70126000020	BL70126000020	BL70126000020	BL70126000020
48	Filter mounting plate	BL73714002120	BL73714002120	BL73714002120	BL73714002120
49	Control box	BL73714001120	BL70330500020	BL70330500020	BL70330500020
50	Filter regulating valve	YE30325000000	YE30325000000	YE30325000000	YE30325000000

* means possible broken parts.

** means easy broken part. and spare backup is suggested.

Please confirm the version of manual before placing the purchase order to guarantee that the item number of the spare part is in accordance with the real object.

8.2 Crosswise Unit



Picture 8-2

8.2.1 Parts List

Table 8-3: Parts List

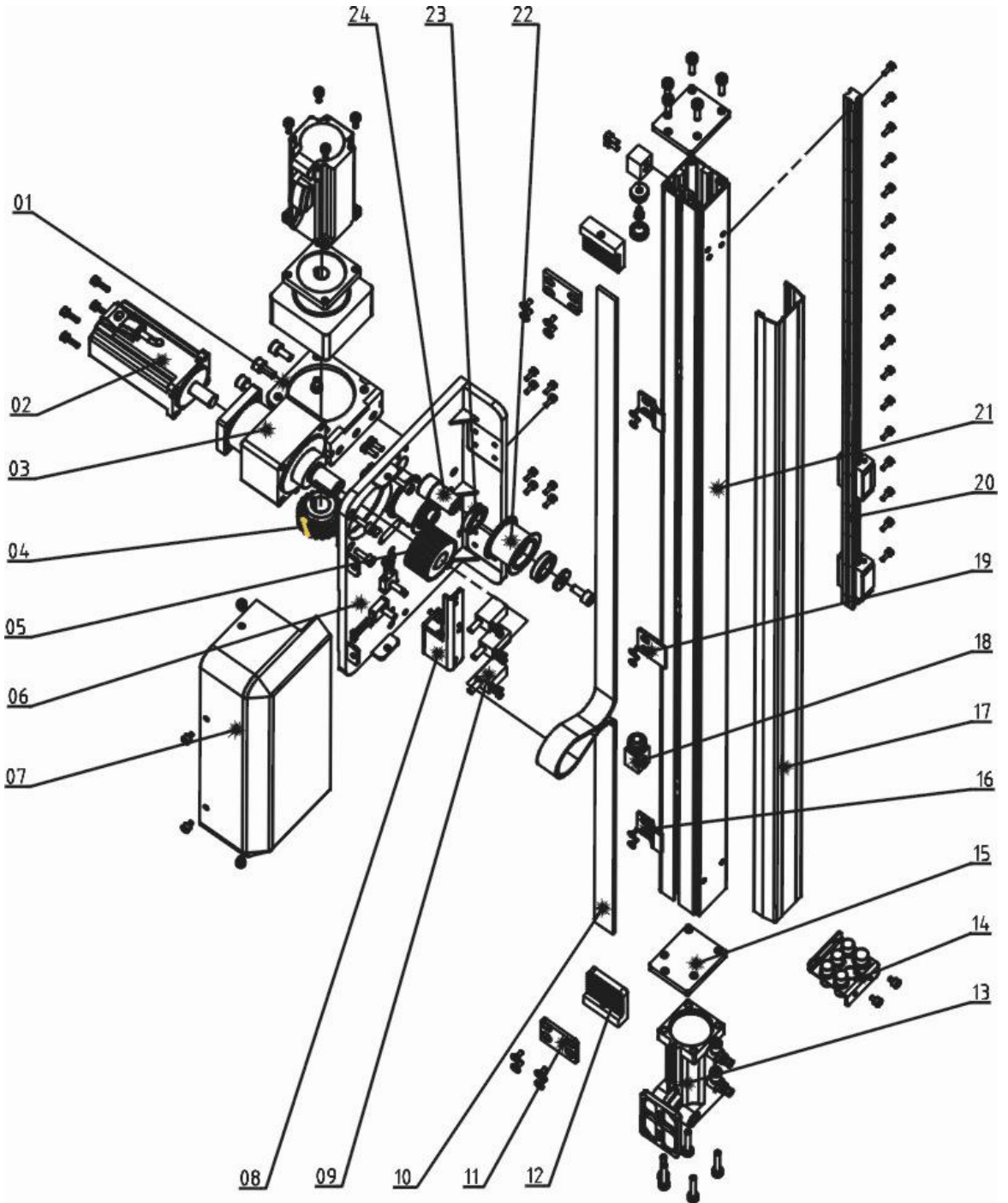
No.	Name	Part number		
		ST3-700-1400	ST3-900-1600	ST3-1100-1800
1	Main arm	BH73371400050	BH73391600050	BH73111800050
2	Srag chain on sub-arm (up/down)	-	-	-
3	Connection plate of sub-arm	-	-	-
4	Magnetic valve on sub-arm	-	-	-
5	Sub-arm trunking	-	-	-
6	Connection cover plate of sub-arm	-	-	-
7	Steel wire belt	-	-	-
8	Crosswise gear	YW31714100200	YW31602850000	-
9	Gear fixing plate	BH79141500110	BH79141500110	BH79141500110
10	Crosswise aluminum profile	BH79714100110	BH79714100110	BH91518000010
11	Left cover on crosswise arm	BL70107000020	BL70107000020	BL70107000020
12	Drag cover on crosswise	BL70507000020	BL70507000020	BL70507000020
13	Crosswise drag chain on sub-arm	-	-	-
14	Drag chain supporting frame on crosswise	BL77591600120	BL77591600120	BL70591630020
15	Crosswise drag chain on main arm	-	-	-
16	Right cover on crosswise arm	BH91905000010	BH91905000010	BH91905000010
17	M8 lifting bolt	YW09000800000	YW09000800000	YW09000800000
18	Connection cover of main arm	BL70575000020	BL70575000020	BL70575000020
19	Main arm trunking plate	-	-	-
20	Magnetic valve of main arm	-	-	-
21	Connection plate of main arm	BL70056000020	BL70056000020	BL70056000020
22	Sub-arm	-	-	-
23	Pressure switch of digital display	-	-	-
24	Main arm up and down tow chain	-	-	-
25	Drag connector on main arm	BL70108000020	BL70108000020	BL70108000020

* means possible broken parts.

** means easy broken part. and spare backup is suggested.

Please confirm the version of manual before placing the purchase order to guarantee that the item number of the spare part is in accordance with the real object.

8.3 Main Arm



Picture 8-3

8.3.1 Parts List

Table 8-4: Parts List

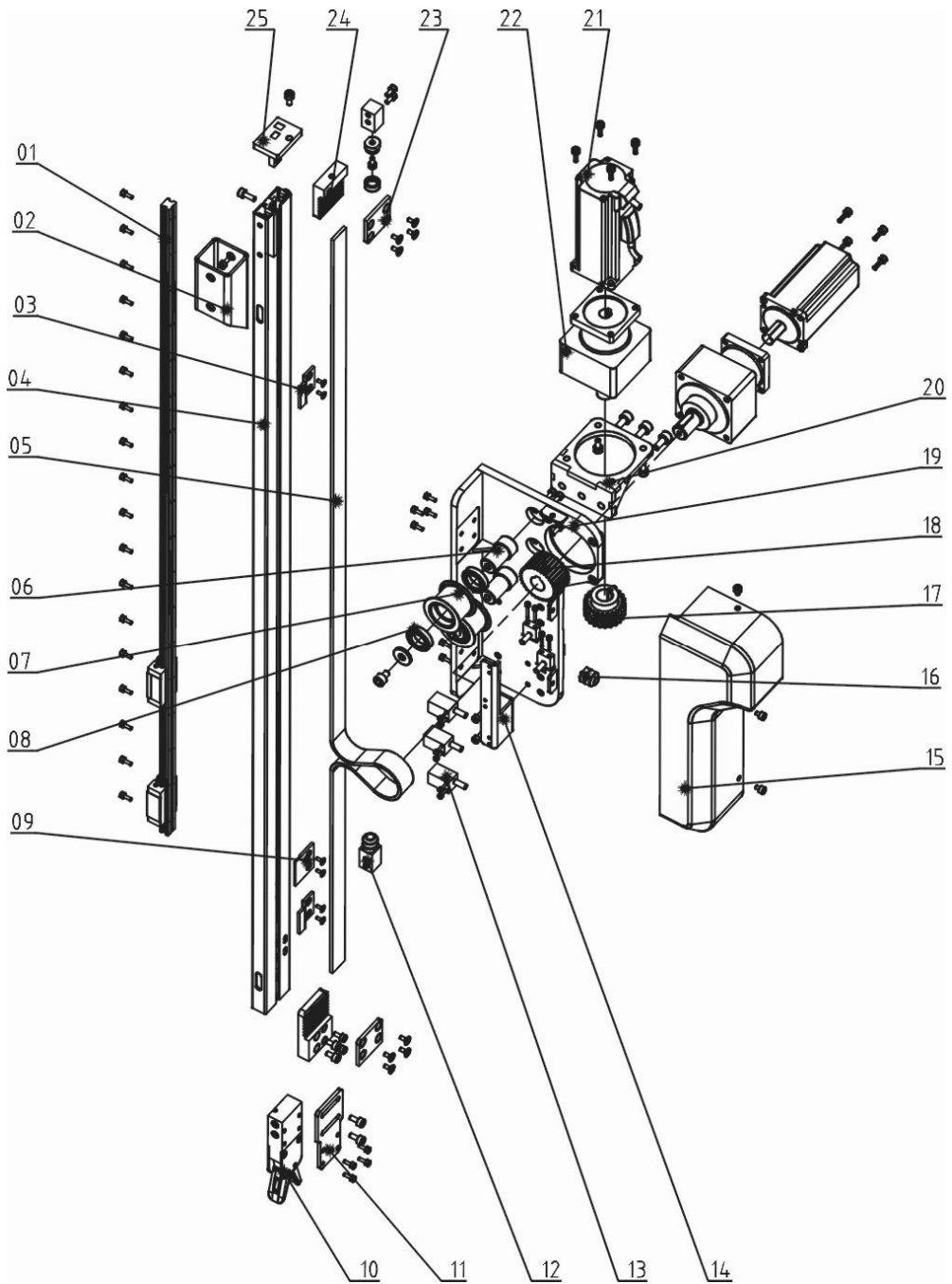
No.	Name	Part number		
		ST3-700-1400	ST3-900-1600	ST3-1100-1800
1	Crosswise motor mounting plate	-	-	-
2	Servo motor	-	-	-
3	Speed reducer	-	-	-
4	Crosswise gear	YW31481900000	YW31481900000	YW31481900000
5	Synchronous pully	-	YW08381900000	YW08381900000
6	Proximity switch mounting plate on main arm	-	-	-
7	Proximity switch	-	-	-
8	Synchronous belt	YR00052500100	YR00052500100	YR00052500100
9	Belt splint connection sheet	BL70110100020	BL70110100020	BL70110100020
10	Belt splint sheet	BH91050900040	BH91050900040	BH91050900040
11	Rotation board	BH10550900020	BH10550900020	BH10550900020
12	Spare frame for air tube	BL70102600020	BL70102600020	BL70102600020
13	Belt fixing plate on main arm	BH70380200040	BH70380200040	BH70380200040
14	Arm limited sensor block	BH70263600040	BH70263600040	BH70263600040
15	Main arm cover board	BL70501000020	BL70501000020	BL70501000020
16	Limited block	BH91051500040	BH91051500040	BH91051500040
17	Origin sensor plate	BL69363000020	BL69363000020	BH70457700040
18	Steel wire belt	YW31001512000	YW31001524000	YW31001514000
19	Main aluminum profile	BH91538000010	BH91059060010	BH91059060010
20	Pully belt	BH91050700010	BH91050700010	BH91050700010
21	Bearing	BH91050600010	BH91050600010	BH91050600010
22	Connection shaft	-	-	-

* means possible broken parts.

** means easy broken part. and spare backup is suggested.

Please confirm the version of manual before placing the purchase order to guarantee that the item number of the spare part is in accordance with the real object.

8.4 Sub-arm



Picture 8-4

8.4.1 Parts List

Table 8-5: Parts List

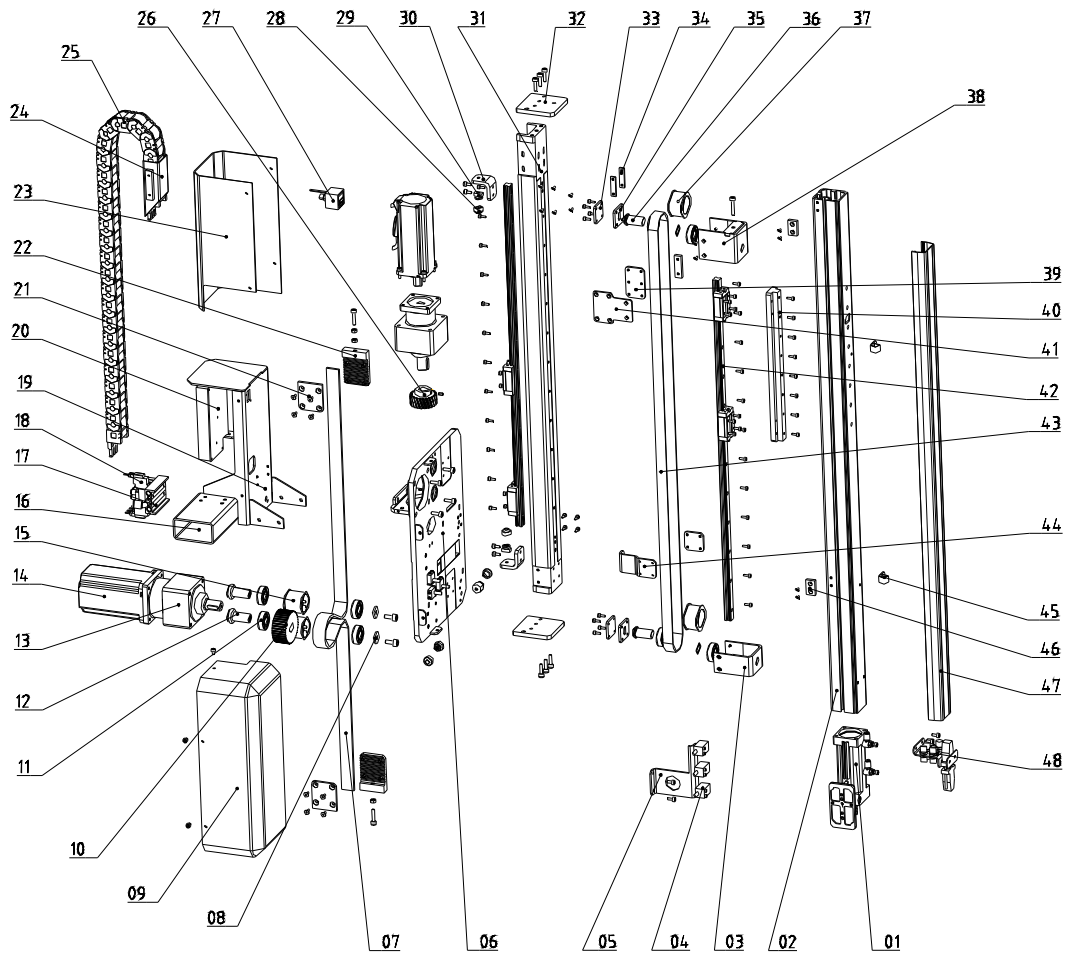
No.	Name	Part number		
		ST3-700-1400	ST3-900-1600	ST3-1100-1800
1	Steel wire belt	-	-	-
2	Up/down connector on sub-arm	-	-	-
3	Arm limited sensor board	-	-	-
4	Sub-arm aluminum profile	-	-	-
5	Synchronous belt	-	-	-
6	Connection shaft	-	-	-
7	Pulley belt	-	-	-
8	Bearing	-	-	-
9	Origin sensor board	-	-	-
10	Gripper	-	-	-
11	Sub-gripper fixing plate	-	-	-
12	Limited block	-	-	-
13	Proximity switch	-	-	-
14	Proximity switch mounting plate on sub-arm	-	-	-
15	Cover of sub-arm	-	-	-
16	Bolster	-	-	-
17	Vertical gear	-	-	-
18	Synchronous wheel	-	-	-
19	Sub-arm mounting plate	-	-	-
20	Vertical motor mounting plate	-	-	-
21	Servo motor	-	-	-
22	Speed reducer	-	-	-
23	Belt splint connection piece	-	-	-
24	Belt pressing plate	-	-	-
25	Belt tuning plate on sub-arm	-	-	-

* means possible broken parts.

** means easy broken part. and spare backup is suggested.

Please confirm the version of manual before placing the purchase order to guarantee that the item number of the spare part is in accordance with the real object.

8.5 Main Arm (ST3/5-T)



Picture 8-5

8.5.1 Parts List

Table 8-6: Parts List

No.	Name	Part number			
		ST3-700-1400T	ST3-700-1400HT	ST3-900-1600T	ST3-900-1600HT
1	Rotation board	BH10550900020	BH10550900020	BH10550900020	BH10550900020
2	Main arm aluminum profile	BH79143300110	BH79143300110	-	-
3	Pully supporting plate	-	-	-	-
4	Proximity switch	-	-	-	-
5	Proximity switch mounting plate	-	-	-	-
6	Main arm mounting supporting frame	BL77253500020	BL77253500020	BL77253500020	BL77253500020
7	Synchronous belt	-	-	-	-
8	Special washer	BL70107700040	BL70107700040	BL70107700040	BL70107700040
9	Main arm installation frame of three axes	-	-	-	-
10	Synchronous wheel	YW09493600000	YW09493600000	YW08621900100	YW08621900100
11	Bearing	YW11600300000	YW11600300000	YW11600300000	YW11600300000
12	Connection shaft	BH91303900010	BH91303900010	BH91303900010	BH91303900010
13	Speed reducer	-	-	-	-
14	Servo motor	-	-	-	-
15	Belt pully	BH91050700010	BH91050700010	BH91050700010	BH91050700010
16	Vertical drag connector on main arm	-	-	-	-
17	Pneumatic distribution block of main arm	-	-	-	-
18	Magnetic valve	-	-	-	-
19	Main arm connection board	BL74317000020	BL74317000020	BL74317000020	BL74317000020
20	Main arm terminal mounting plate	-	-	-	-
21	Belt splint connection piece	BL70110100020	BL70110100020	BL70110100020	BL70110100020
22	Belt splint	-	-	-	-

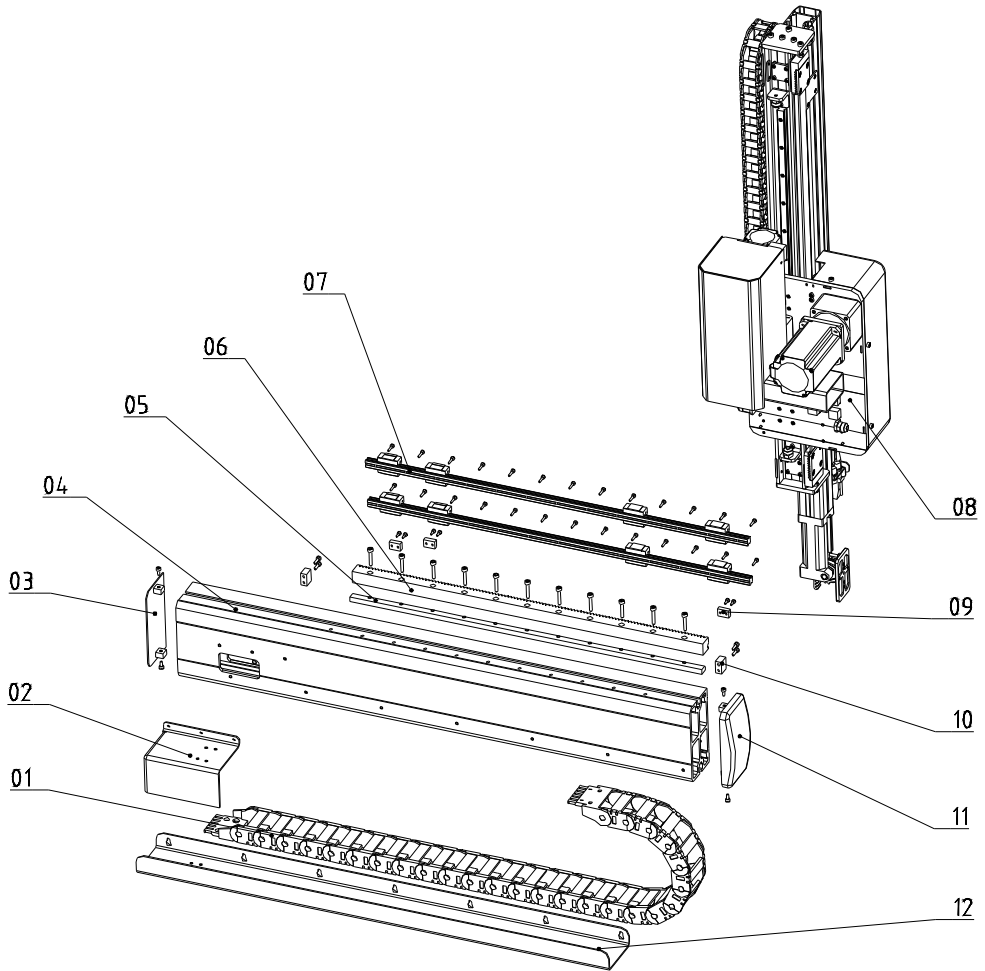
23	Connection cover of main arm	-	-	-	-
24	Drag connector on main arm	-	-	-	-
25	Main drag chain	-	-	-	-
26	Vertical gear	YW31481900000	YW31481900000	-	-
27	Digital display switch	-	-	-	-
28	Buffer cap	-	-	-	-
29	Bolster plate	BH91181200010	BH91181200010	BH91181200010	BH91181200010
30	Limited board	-	-	-	-
31	Main arm connection aluminum profile	BH79143200110	BH79143200110	BH79591603210	BH79591603210
32	Top belt fixing sheet of main arm	-	-	-	-
33	Pully fixing plate 1	-	-	-	-
34	Fixing plate 1	-	-	-	-
35	Pully fixing plate 2	-	-	-	-
36	Telescopic arm connection shaft	-	-	-	-
37	Pully	BH91030000010	BH91030000010	BH91030000010	BH91030000010
38	Belt adjustment board	-	-	-	-
39	Belt gear board on arm 1	-	-	-	-
40	Arm fixing plate	-	-	-	-
41	Belt down fixing plate	-	-	-	-
42	Steel wire belt	-	-	-	-
43	Synchronous belt	-	-	-	-
44	Belt up fixing plate	-	-	-	-
45	Wire clip	-	-	-	-
46	Stack sensor	-	-	-	-
47	Main arm aluminum cover board	BH13171300010	BH13171300010	BH13019130010	BH13019130010
48	Space frame of air pipe	BL70102600020	BL70102600020	BL70102600020	BL70102600020

* means possible broken parts.

** means easy broken part. and spare backup is suggested.

Please confirm the version of manual before placing the purchase order to guarantee that the item number of the spare part is in accordance with the real object.

8.6 Crosswise Unit (ST3-T)



Picture 8-6

8.6.1 Parts List

Table 8-7: Parts List

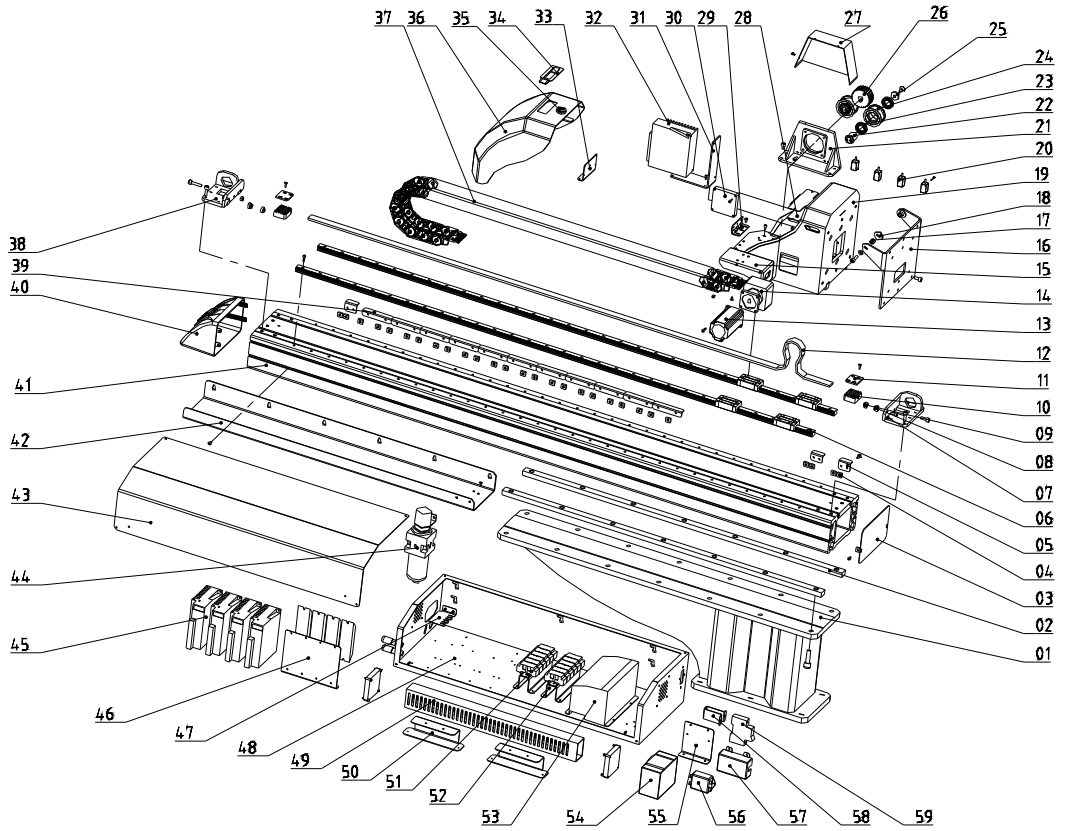
No.	Name	Part number			
		ST3-700-1400T	ST3-700-1400HT	ST3-900-1600T	ST3-900-1600HT
1	Main arm crosswise drag	-	-	-	-
2	Crosswise drag cover	BL70507000020	BL70507000020	BL70507000020	BL70507000020
3	Left cover board of crosswise	BL70107000020	BL70107000020	BL70107000020	BL70107000020
4	Crosswise aluminum profile	BH79714100110	BH79714100110	BH79591600010	BH79591600010
5	Fixing gear plate	BH79141500110	BH79141500110	BH91071400040	BH91071400040
6	Gear	YW31602850000	YW31602850000	YW31602850000	YW31602850000
7	Steel wire belt	-	-	-	-
8	Main arm	-	-	-	-
9	Crosswise sensor board	BH70405000040	BH70405000040	BH70405000040	BH70405000040
10	Limited block	BH79051300010	BH79051300010	BH79051300010	BH79051300010
11	Right cover board of crosswise	BH91905000010	BH91905000010	BH91905000010	BH91905000010
12	Drag supporting frame of crosswise	BL77571401120	BL77571401120	BL70591630020	BL70591630020

* means possible broken parts.

** means easy broken part. and spare backup is suggested.

Please confirm the version of manual before placing the purchase order to guarantee that the item number of the spare part is in accordance with the real object.

8.7 Traverse Unit (ST5-T)



Picture 8-7

8.7.1 Parts List

Table 8-8: Parts List

No.	Name	Part number	
		ST5-700-1400DT	ST5-900-1600DT
1	Base	BH73710000010	BH73710000010
2	Beam installation fixing plate	-	-
3	Beam end closure	BH74000100010	BH74000100010
4	Fix sliding block	YW09014500110	YW09014500110
5	Limited sensor plate	BL69335000020	BL69335000020
6	Steel wire belt	YW31519000000	YW31519000000
7	Belt fixing frame	-	-
8	Bolster	BH91151200010	BH91151200010
9	Buffer cap	-	-
10	Belt splint pressure plate	YW09564900110	YW09564900110
11	Belt splint connection piece	BL70110100020	BL70110100020
12	Synchronous belt	YR00082500100	YR00082500100
13	Servo driven motor	-	-
14	Speed reducer	-	-
15	Traverse drag fixing plate	BL56000600340	BL56000600340
16	Vertical aluminum profile	-	-
17	Fixing shaft of vertical beam	-	-
18	Washer	-	-
19	Sliding seat	-	-
20	Proximity switch	-	-
21	Motor supporting frame	BH10155000010	BH10155000010
22	Connection shaft	BH91303900010	BH91303900010
23	Pully bearing	YW11600500000	YW11600500000
24	Pully	BH91030000010	BH91030000010
25	Special washer	BL70107700040	BL70107700040
26	Synchronous wheel	YW08621900000	YW08621900000
27	Motor supporting cover	BL21000100520	BL21000100520
28	Brake resistor	YE20100500100	YE20100500100
29	Hinge	YW06253200000	YW06253200000
30	Exhaust fan	YM50801502400	YM50801502400
31	Driven mounting plate	BL73308000040	BL73308000040
32	Drive 1	-	-
33	Bottom frame of traverse terminal	-	-
34	Lock	YW00000000100	YW00000000100
35	Trapezoid plastic handle	YR40914040000	YR40914040000
36	Sliding cover	BL70127000020	BL70127000020

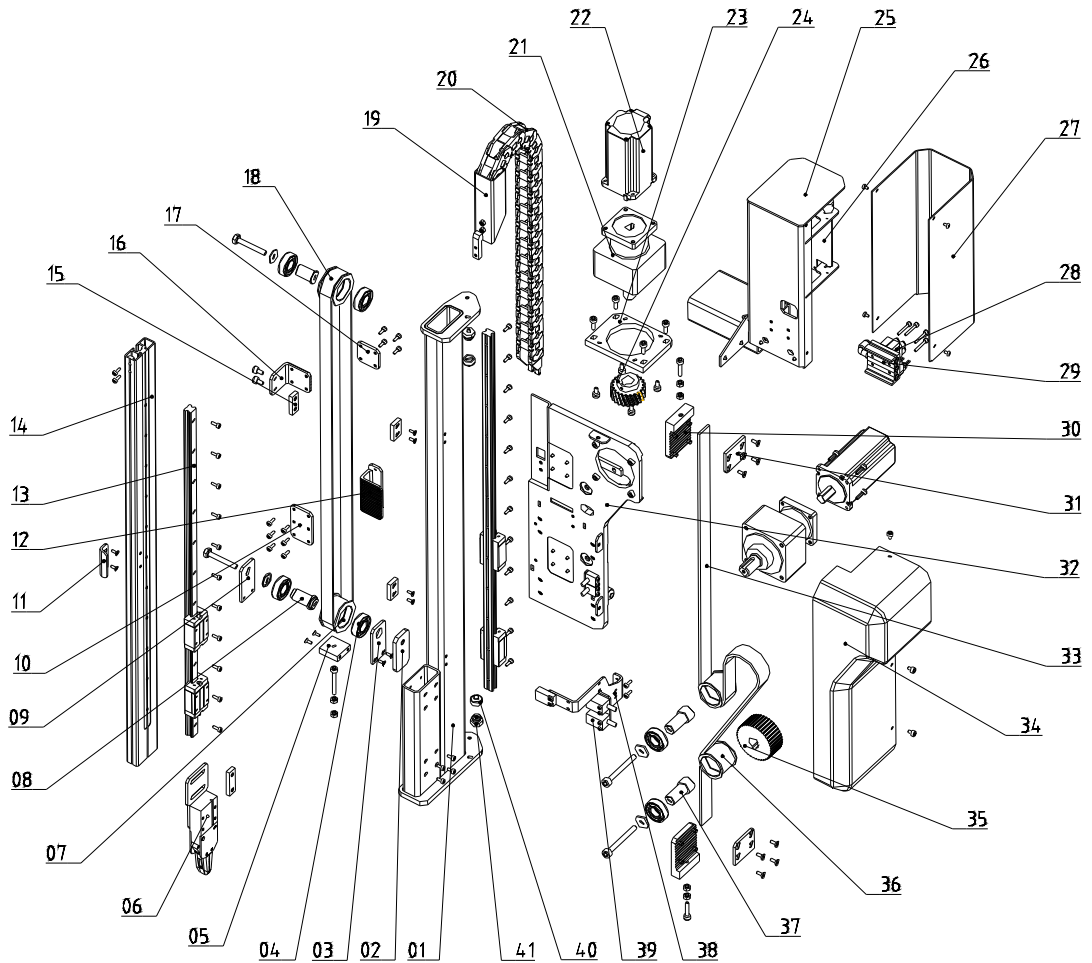
37	Traverse drag chain	YR00082500100	YR00082500100
38	Belt fixing frame 1	BL70112100020	BL70112100020
39	Safety sensor of mold	BL69002200020	BL69002200020
40	Traverse beam end closure	BL70103300020	BL70103300020
41	Traverse aluminum profile	BH79571400110	BH91059160010
42	Traverse drag supporting frame	BL70371420020	BL70591600020
43	Control box	BL70330400020	BL70330400020
44	Filter regulating valve	YE30325000000	YE30325000000
45	Drive 2	-	-
46	Brake resistor mounting plate	BH71306000010	BH71306000010
47	Grounded connection plate	BL70126000020	BL70126000020
48	Control box board	BL70330500020	BL70330500020
49	U-type cable trunking	BL71055000020	BL71055000020
50	U-type cable trunking fix plate	BL73251000020	BL73251000020
51	Magnetic valve	-	-
52	Magnetic valve fixing plate	-	-
53	SIGMATEK modular	-	-
54	Power	-	-
55	Filter mounting plate	BL70513000020	BL70513000020
56	Filter	YE73020000000	YE73020000000
57	Filter cover	BL70513000020	BL70513000020
58	Short circuit mounting plate	-	-
59	Short circuit	-	-

* means possible broken parts.

** means easy broken part. and spare backup is suggested.

Please confirm the version of manual before placing the purchase order to guarantee that the item number of the spare part is in accordance with the real object.

8.8 Sub-arm Unit (ST5-T)



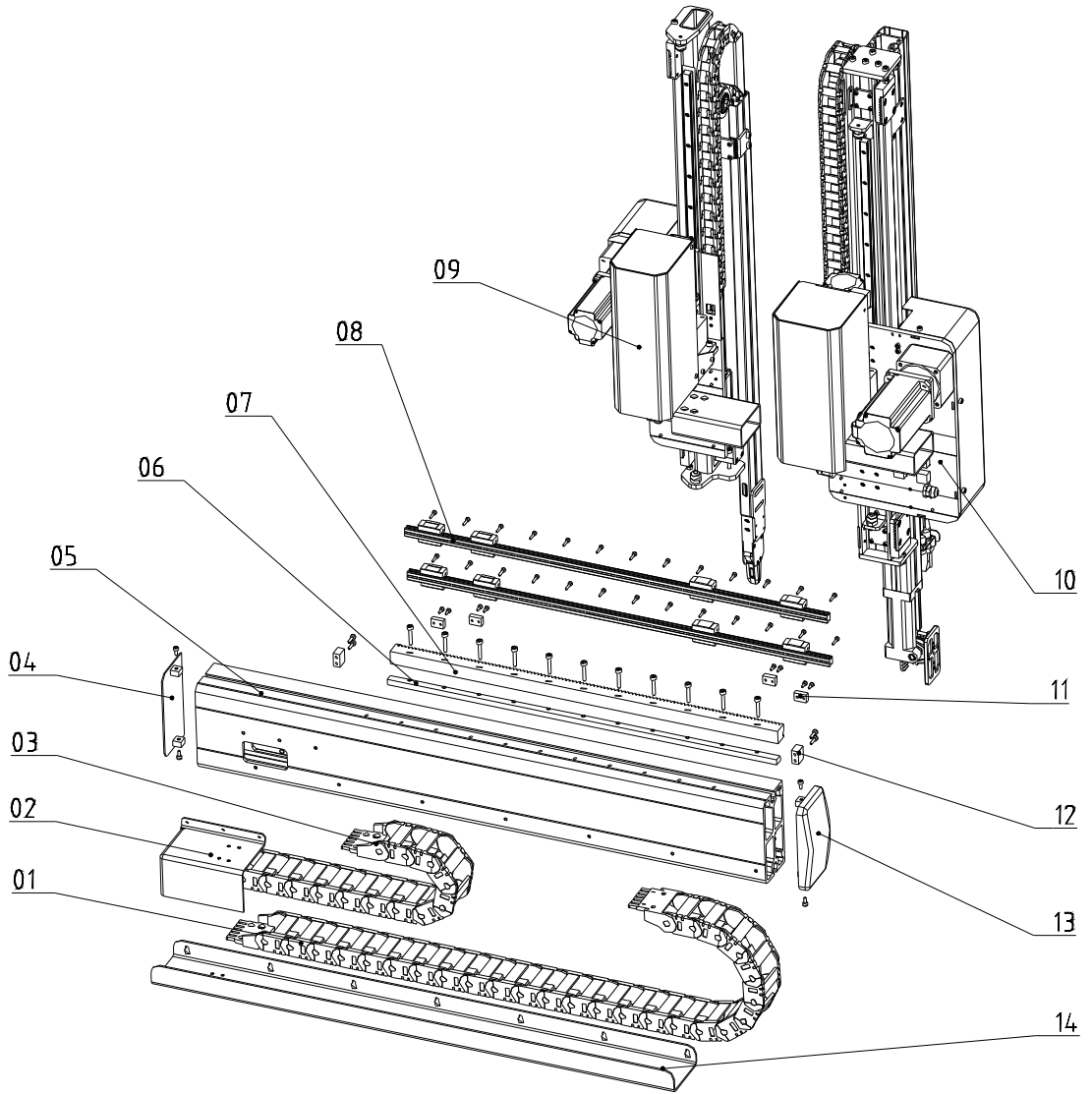
Picture 8-8

8.8.1 Parts List

Table 8-9: Parts List

No.	Name	Part number	
		ST5-700-1400DT	ST5-900-1600DT
1	Sub-arm connection board	BL77051600020	BL77051600020
2	Belt tuning fix plate	-	-
3	Pully fixing plate 1	-	-
4	Bearing	-	-
5	Fixing top plate of pully	-	-
6	Gripper	BH70401200040	BH70401200040
7	Pully	BH91030000010	BH91030000010
8	Telescopic arm shaft	-	-
9	Pully fixing plate 2	-	-
10	Belt fixing plate (down)	-	-
11	Origin sensor board on sub-arm	BL69363000020	BL69363000020
12	Sub-arm belt toothed plate (down)	-	-
13	Steel wire belt	-	-
14	Sub-arm aluminum profile	BH78071430010	BH78071430010
15	Belt fixing plate of sub-arm	-	-
16	Belt fixing plate of sub-arm (up)	-	-
17	Belt fixing plate of sub-arm (up)	-	-
18	Synchronous belt 2	-	-
19	Sub-arm drag connector	BL77005500020	BL77005500020
20	Sub-arm drag	-	-
21	Speed reducer	-	-
22	Driven motor 2	-	-
23	Flange	BH91303900110	BH91303900110
24	Vertical gear	YW31481900000	YW31481900000
25	Sub-arm connection plate	BL77591600020	BL77591600020
26	Terminal mounting plate of sub-arm 2	-	-
27	Connection cover board of sub-arm	BL77005090020	BL77005090020
28	Magnetic valve	-	-
29	Sub-arm pneumatic distribution block	-	-
30	Belt pressure plate 2	BH79254200010	BH79254200010
31	Belt splint connection	-	-
32	Sub-arm mounting frame	BL77052900020	BL77052900020
33	Synchronous belt 1	-	-
34	Cover of sub-arm mounting	-	-
35	Synchronous wheel	YW09493600000	YW09493600000
36	Pully belt	-	-
37	Sonnection shaft	-	-
38	Proximity switch mounting plate of sub-arm 2	-	-
39	Proximity switch	-	-
40	Buffer cap	-	-
41	Bolster	-	-

8.9 Crosswise Unit (ST5-T)



Picture 8-9

8.9.1 Parts List

Table 8-10: Parts List

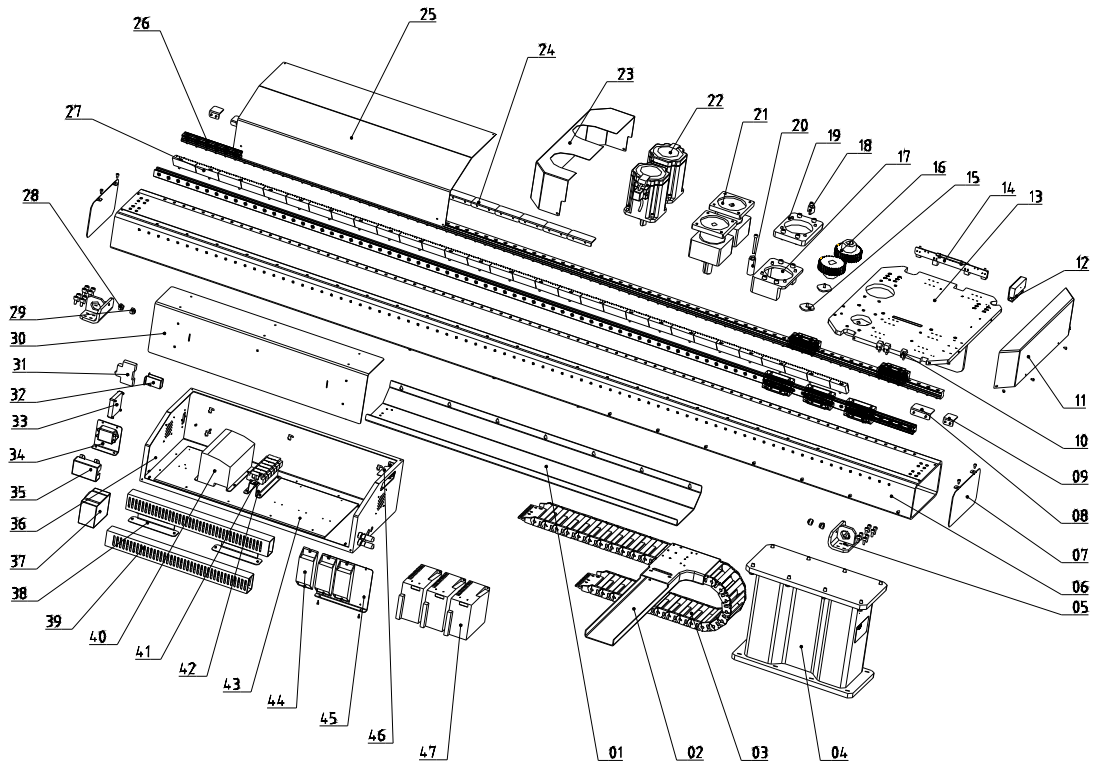
No.	Name	Part number	
		ST5-700-1400DT	ST5-900-1600DT
1	Main arm crosswise drag chain	-	-
2	Cover of crosswise drag	BL70507000020	BL70507000020
3	Crosswise drag of sub-arm	-	-
4	Left cover of crosswise arm	BL70107000020	BL70107000020
5	Crosswise aluminum profile	BH79714100110	BH79591600010
6	Gear rack fixing plate	-	-
7	Gear rack	YW31714100200	YW31602850000
8	Steel wire belt	-	-
9	Sub-arm	BH79571400150	BH79591600150
10	main arm	BH79571400050	BH79591600050
11	Crosswise sensor board	BH70405000040	BH70405000040
12	Limited bolster	BH79051300010	BH79051300010
13	Right cover of crosswise arm	BH91905000010	BH91905000010
14	Drag supporting frame of crosswise	BL77571401120	BL77591600120

* means possible broken parts.

** means easy broken part. and spare backup is suggested.

Please confirm the version of manual before placing the purchase order to guarantee that the item number of the spare part is in accordance with the real object.

8.10 Traverse Unit (ST3-T: large telescopic arm)



Picture 8-10

8.10.1 Parts List

Table 8-11: Parts List

No.	Name	Part number		
		ST3-1600-2200LT	ST3-1800-2400LT	ST3-2200-2600LT
1	Traverse drag supporting frame	BL75316200020	-	BL75323300020
2	Drag supporting frame	-	-	-
3	Traverse drag	-	-	-
4	Base	BL75318400020	BL75318400020	BL75318400020
5	Limited frame	-	-	-
6	Traverse beam	BH73162200010	BH73182400010	BH73323100010
7	Traverse end closure	BL75131800020	BL75131800020	BL75131800020
8	Origin sensor board	BL69363000020	BL69363000020	BL69363000020
9	Limited sensor board	BL75035300020	BL75035300020	BH73321900010
10	Proximity switch	-	-	-
11	Cover of sliding seat 2	BL75321000220	BL75321000220	BL75321000220
12	Traverse terminal mounting frame	BL75327000020	BL75327000020	BL75327000020
13	Sliding seat 1	BH73034600040	BH73034600040	BH73322500010
14	Traverse proximity switch mounting plate	-	BL75035200020	BL75322100020
15	Washer of speed reducer	BL75131600040	BL75131600040	BL75131600040
16	Gear	YW08107900000	YW08107900000	YW08107900000
17	Vertical speed reducer mounting seat	BH73314000010	BH73314000010	BH73321400010
18	Traverse eccentric wheel	BH73310300040	BH73310300040	BH73310300040
19	Traverse speed reducer mounting plate	BH73131200020	BH73131200040	BH73321200010
20	Vertical eccentric wheel	BH73317000040	BH73317000040	-
21	Speed reducer	-	-	-
22	Servo motor	-	-	-
23	Sliding cover 1	BL75130900020	BL75130900020	BL75322900020
24	Sensor board of modular	BL75333000020	BL75035400020	BH73322000010
25	Cover of control box	-	BL75034000020	BL75034000020
26	Steel wire belt	-	-	-
27	Traverse gear rack	YW30031600000	YW08280900000	YW30220000000
28	Bolster	BH73328000010	BH73328000010	BH73328000010
29	Buffer cap	-	-	-
30	Control box mounting frame	-	-	-
31	Circuit breaker	YW80562100000	YW80562100000	YW80562100000
32	Circuit breaker mounting frame	BL75334000020	BL70512000020	BH73322700050

33	Exhaust fan	-	-	-
34	Filter mounting board	-	-	-
35	Filter cover	-	-	-
36	Control box welding board	BL75322000020	BL75033900020	BL75033900020
37	Power	-	-	-
38	U-type cable trunking bracket	-	-	-
39	U-type cable trunking	-	-	-
40	SIGMATEK modular	-	-	-
41	Magnetic valve	-	-	-
42	Trunking bracket	-	-	-
43	Galvanized sheet	-	-	-
44	Fuse port	YE20200450000	YE20200450000	YE20200450000
45	Fuse port mounting board	BL75324000020	BL75324000020	BL75324000020
46	Grounded connection plate	BL70126000020	-	-
47	Deriver	-	-	-

* means possible broken parts.

** means easy broken part. and spare backup is suggested.

Please confirm the version of manual before placing the purchase order to guarantee that the item number of the spare part is in accordance with the real object.

Table 8-12: Parts List

No.	Name	Part number	
		ST3-2600-2800LT	ST3-3000-3300LT
1	Traverse drag supporting frame	-	-
2	Drag supporting frame	-	-
3	Traverse drag	-	-
4	Base	-	-
5	Limited frame	-	-
6	Traverse beam	-	-
7	Traverse end closure	-	-
8	Origin sensor board	-	-
9	Limited sensor board	-	-
10	Proximity switch	-	-
11	Cover of sliding seat 2	-	-
12	Traverse terminal mounting frame	-	-
13	Sliding seat 1	-	-
14	Traverse proximity switch mounting plate	-	-
15	Washer of speed reducer	-	-
16	Gear	-	-
17	Vertical speed reducer mounting seat	-	-
18	Traverse eccentric wheel	-	-
19	Traverse speed reducer mounting plate	-	-
20	Vertical eccentric wheel	-	-
21	Speed reducer	-	-
22	Servo motor	-	-
23	Sliding cover 1	-	-
24	Sensor board of modular	-	-
25	Cover of control box	-	-
26	Steel wire belt	-	-
27	Traverse gear rack	-	-
28	Bolster	-	-
29	Buffer cap	-	-
30	Control box mounting frame	-	-
31	Circuit breaker	-	-
32	Circuit breaker mounting	-	-

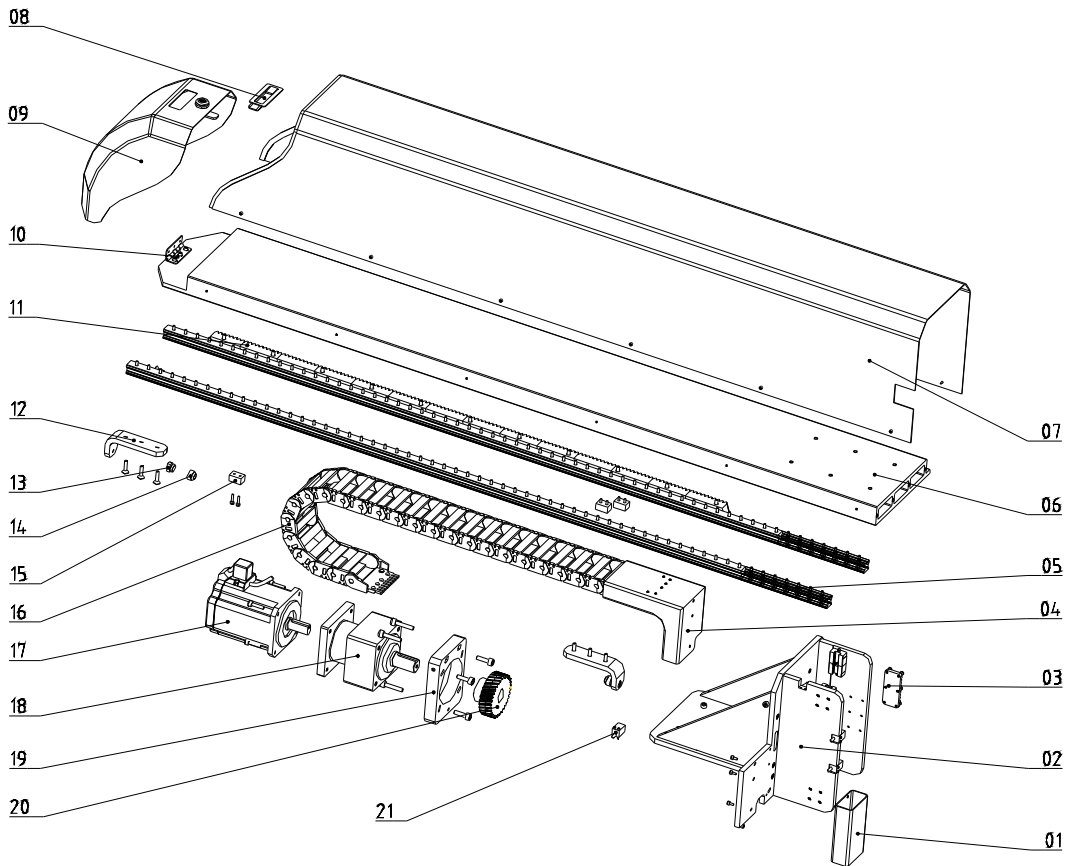
	frame		
33	Exhaust fan	-	-
34	Filter mounting board	-	-
35	Filter cover	-	-
36	Control box welding board	-	-
37	Power	-	-
38	U-type cable trunking bracket	-	-
39	U-type cable trunking	-	-
40	SIGMATEK modular	-	-
41	Magnetic valve	-	-
42	Trunking bracket	-	-
43	Galvanized sheet	-	-
44	Fuse port	-	-
45	Fuse port mounting board	-	-
46	Grounded connection plate	-	-
47	Deriver	-	-

* means possible broken parts.

** means easy broken part. and spare backup is suggested.

Please confirm the version of manual before placing the purchase order to guarantee that the item number of the spare part is in accordance with the real object.

8.11 Crosswise Unit (ST3-T: large telescopic arm)



Picture 8-11

8.11.1 Parts List

Table 8-13: Parts List

No.	Name	Part number		
		ST3-1600-2200LT	ST3-1800-2400LT	ST3-2200-2600LT
1	Up/down drag connector	BL75311300020	BL75311300020	BL75311300020
2	Fixing arm block	-	-	-
3	Up/down toothed plate	-	-	-
4	Crosswise drag connector	BL75312000020	BL75312000020	BL75312000020
5	Steel wire belt	-	-	-
6	Crosswise aluminum profile	BH73131610010	BH73318200010	BH73322300210
7	The cover of crosswise aluminum profile board	BL75162200020	BL75318330020	BL75322300020
8	Trapezoid plastic handle	YR40914040000	YR40914040000	YR40914040000
9	Sliding seat cove	BL70012700020	BL70012700020	BL70012700020
10	Hinge	YW06253200000	YW06253200000	YW06253200000
11	Crosswise drag rack	-	-	-
12	Limited block on crosswise	BL75314000040	BL75314000040	BL75314000040
13	Bolster	-	-	-
14	Buffer cap	-	-	-
15	Sensor fixing plate on crosswise	BL75310000040	BL75310000040	BL75310000040
16	Crosswise drag	-	-	-
17	Servo motor	-	-	-
18	Speed reducer	-	-	-
19	Up/down speed reducer mounting plate	BH73323900010	BH73323900010	BH73323900010
20	Gear	-	-	-
21	Proximity switch	-	-	-

* means possible broken parts.

** means easy broken part. and spare backup is suggested.

Please confirm the version of manual before placing the purchase order to guarantee that the item number of the spare part is in accordance with the real object.

Table 8-14: Parts List

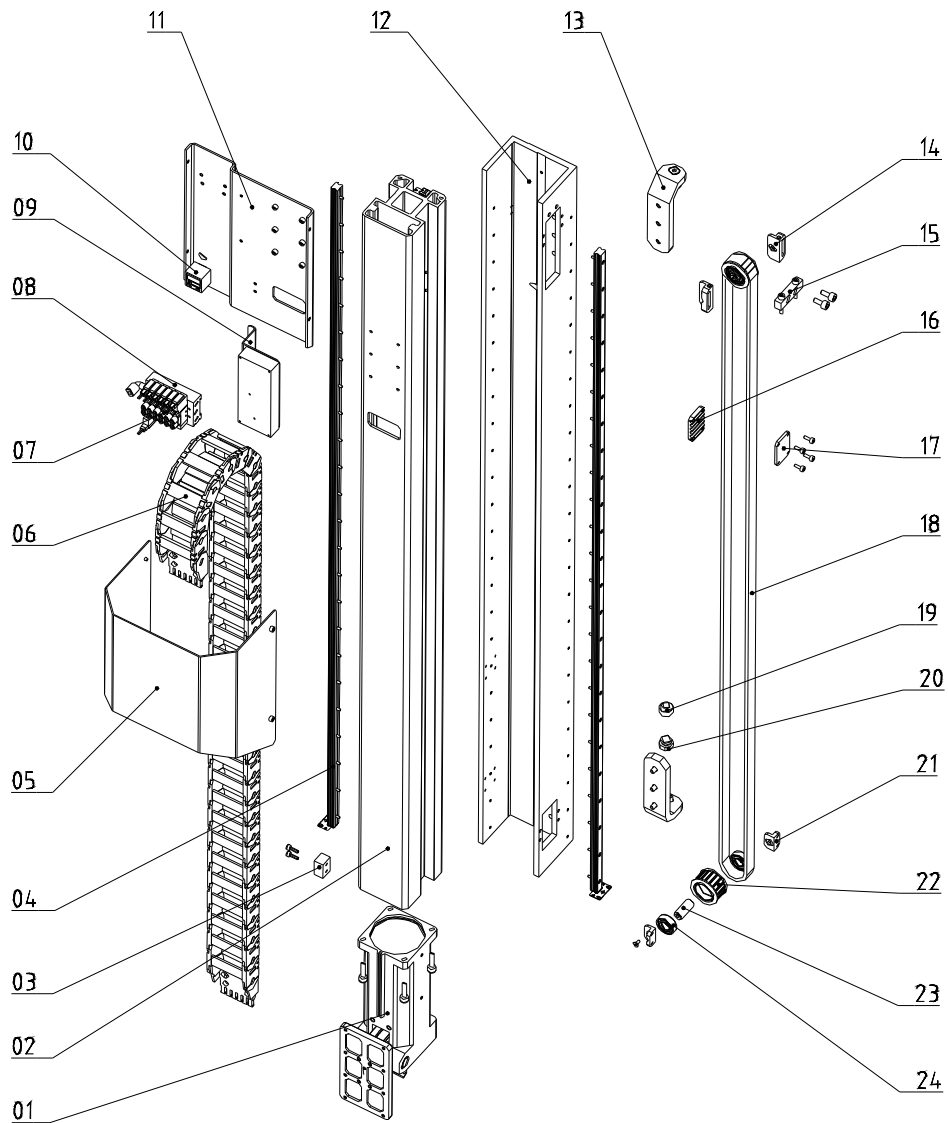
No.	Name	Part number	
		ST3-2600-2800LT	ST3-3000-3300LT
1	Up/down drag connector	-	-
2	Fixing arm block	-	-
3	Up/down toothed plate	-	-
4	Crosswise drag connector	-	-
5	Steel wire belt	-	-
6	Crosswise aluminum profile	-	-
7	The cover of crosswise aluminum profile board	-	-
8	Trapezoid plastic handle	-	-
9	Sliding seat cove	-	-
10	Hinge	-	-
11	Crosswise drag rack	-	-
12	Limited block on crosswise	-	-
13	Bolster	-	-
14	Buffer cap	-	-
15	Sensor fixing plate on crosswise	-	-
16	Crosswise drag	-	-
17	Servo motor	-	-
18	Speed reducer	-	-
19	Up/down speed reducer mounting plate	-	-
20	Gear	-	-
21	Proximity switch	-	-

* means possible broken parts.

** means easy broken part. and spare backup is suggested.

Please confirm the version of manual before placing the purchase order to guarantee that the item number of the spare part is in accordance with the real object.

8.12 Main Arm unit (ST3-T: large telescopic arm)



Picture 8-12

8.12.1 Parts List

Table 8-15: Parts List

No.	Name	Part number		
		ST3-1600-2200LT	ST3-1800-2400LT	ST3-2200-2600LT
1	Rotation board	BH73300030010	BH73300030010	BH73300030010
2	Main arm aluminum profile	BH73316220010	-	BH73322300410
3	Sensor fixing plate on vertical	BL75310000040	BL75310000040	BL75310000040
4	Steel wire belt	-	-	-
5	Cover of pneumatic distribution block	-	-	-
6	Main arm drag	-	-	-
7	Magnetic valve	-	-	-
8	Pneumatic distribution block	-	-	-
9	Terminal mounting frame of Y-axis	BL75316000020	BL75316000020	BL75321600020
10	Digital pressure switch	-	-	-
11	Mounting plate of pneumatic distribution block	-	-	-
12	Connection aluminum profile	-	-	-
13	Up/down limited block	BL75033100040	BL75033100040	BL75033100040
14	Built-in fitting of belt wheel 1	-	-	-
15	Adjustment block of belt wheel	-	-	-
16	Up/down toothed link 2	BH73323130040	BH73323130040	BH73323130040
17	The pressplate of synchronous belt	BH73323140040	BH73323140040	BH73323140040
18	Synchronous belt	-	-	-
19	Buffer cap	-	-	-
20	Bolster	-	-	-
21	Built-in fitting of belt wheel 2	-	-	-
22	Wilding board of belt wheel	-	-	-
23	Bearing of axis	-	-	-
24	Bearing	-	-	-

* means possible broken parts.

** means easy broken part. and spare backup is suggested.

Please confirm the version of manual before placing the purchase order to guarantee that the item number of the spare part is in accordance with the real object.

Table 8-16: Parts List

No.	Name	Part number	
		ST3-2600-2800LT	ST3-3000-3300LT
1	Rotation board	-	-
2	Main arm aluminum profile	-	-
3	Sensor fixing plate on vertical	-	-
4	Steel wire belt	-	-
5	Cover of pneumatic distribution block	-	-
6	Main arm drag	-	-
7	Magnetic valve	-	-
8	Pneumatic distribution block	-	-
9	Terminal mounting frame of Y-axis	-	-
10	Digital pressure switch	-	-
11	Mounting plate of pneumatic distribution block	-	-
12	Connection aluminum profile	-	-
13	Up/down limited block	-	-
14	Built-in fitting of belt wheel 1	-	-
15	Adjustment block of belt wheel	-	-
16	Up/down toothed link 2	-	-
17	The pressplate of synchronous belt	-	-
18	Synchronous belt	-	-
19	Buffer cap	-	-
20	Bolster	-	-
21	Built-in fitting of belt wheel 2	-	-
22	Wilding board of belt wheel	-	-
23	Bearing of axis	-	-
24	Bearing	-	-

* means possible broken parts.

** means easy broken part. and spare backup is suggested.

Please confirm the version of manual before placing the purchase order to guarantee that the item number of the spare part is in accordance with the real object.