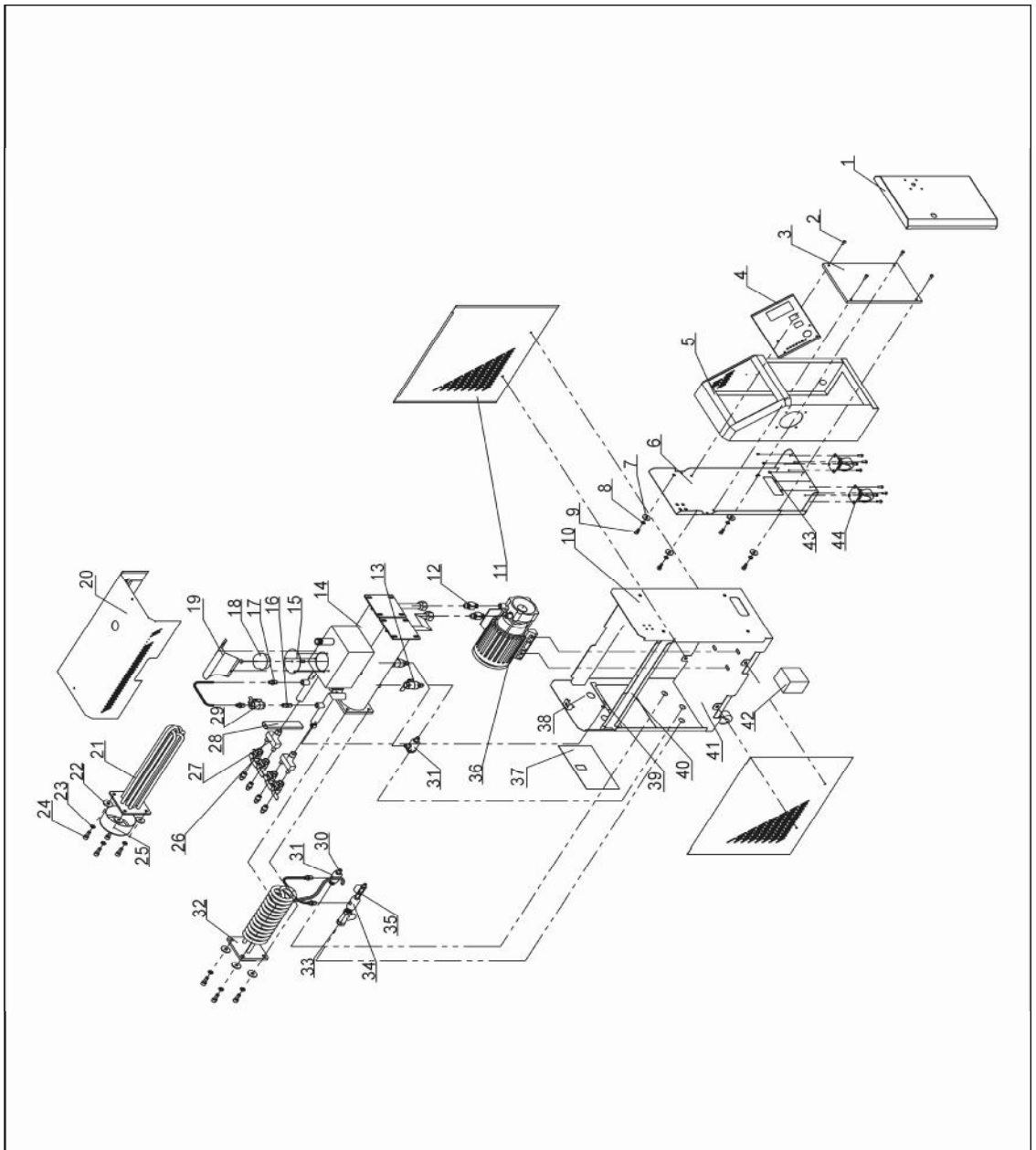


2.2 Assembly Drawing

2.2.1 System Structure (STM-405E)



Remarks: Please refer to material list 2.2.2 for specific explanation of the Arabic numbers in parts drawing.

Picture 2-3: System Structure (STM-405E)

2.2.2 Parts List (STM-405E)

Table 2-1: Parts List (STM-405E)

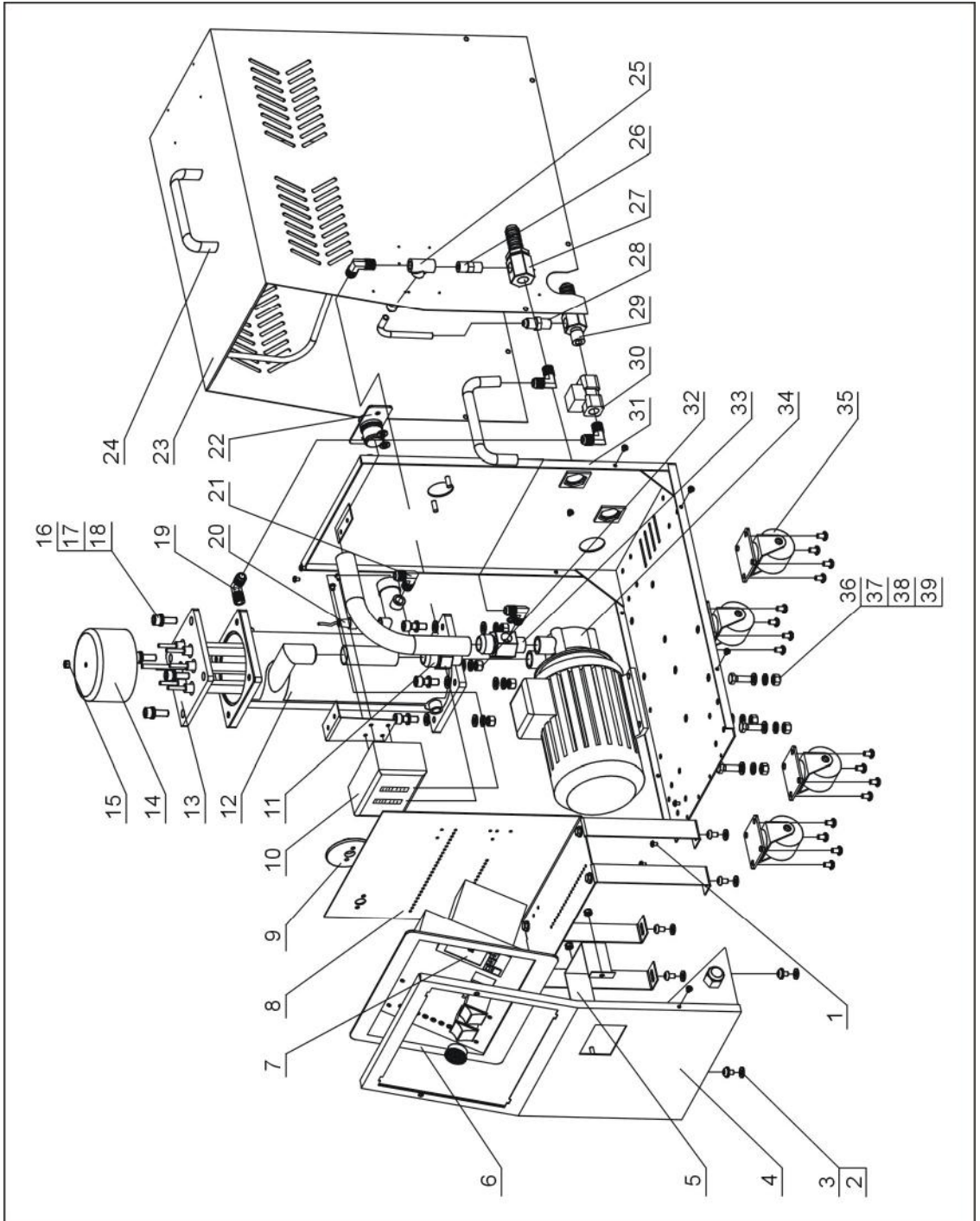
No.	Name	Part No.	No.	Name	Part No.
1	Door plate	-	23	Spring washer 10	YW6501000000
2	Brazier head screw M6×15	YW63061700000	24	Inner hex chesses head screw	YW61102500000
3	Electric-controlled bottom plate	-	25	Electric heated tube cover	BL80091000120
4	Operation panel	-	26	Stainless steelball valve 3/8"	YW50030800100
5	Electric installation box	-	27	Valve body	BW32010200010
6	Electric cabinet rear plate	-	28	Level mirror	-
7	Flat washer 8	YW66082200100	29	Copper ball core valve 1/4"	YY60001430000
8	Spring washer 8	YW65008000200	30	Copper-teflon connection	BH12030800610
9	Inner hex cheese head screw M8×20	YW61082000200	31	Copper connection 2 unit	-
10	Clapboard	-	32	Cooling pipe	-
11	Side plate	-	33	Y-type level mirror	YW57010200000
12	Copper horn joint 3/4"H×3/4"PT	BH12030400360	34	Copper connection	-
13	Stainless steel ball valve 3/8"	YW50030800100	35	Solenoid valve	YE32215400000
14	Heating tank & auxiliary fuel tank	-	36	Water pump	BM20023450050
15	Floater cover plate	-	37	Rear plate small cover plate	-
16	Copper joint	BH12010400110	38	Rear plate	-
17	Copper-teflon connetcion	BH12010400410	39	Rear plate smallcove plate backing plate	-
18	Floater	YW9703600000	40	Beam	-
19	Alternative switch cover plate	-	41	Bottom plate	-
20	Cover plate	-	42	EGO protection box	YR40000400300
21	Electrci heated tube	BH70060700050	43	Sink head screw M4×5	YW62040600000
22	Flat washer 10	YW66102500000	44	2" castor	YW03000200000

* means possible broken parts.

** means easy broken part. and spare backup is suggested.

Please confirm the version of manual before placing the purchase order to guarantee that the item number of the spare part is in accordance with the real object.

2.2.3 System Structure (STM-405N-WE)



Remarks: Please refer to material list 2.2.4 for specific explanation of the Arabic numbers in parts drawing.

Picture 2-4: System Structure (STM-405N-WE)

2.2.4 Parts List (STM-405N-WE)

Table 2-2: Parts List (STM-405N-WE)

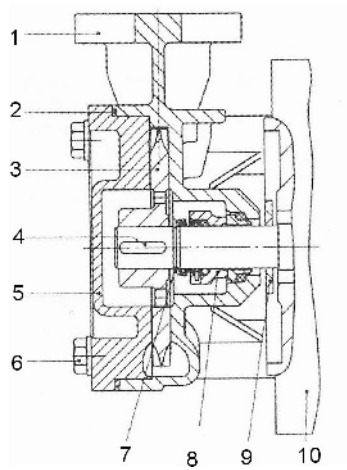
No.	Name	Parts No.	No.	Name	Parts No.
1	Thick head screw M4×6	YW63040600000	21	Copper Teflon pipe coupler 1/4×1/4PT(L)	YW04010400400
2	Flat washer 6	YW66061600000	22	Water flow regulator connector	-
3	Flat head screw M6×10	YW62061000000	23	Cover plate	-
4	Front plate	-	24	Alumimum square handle 120L(M6)	BW20012000040
5	Platen	-	25	Stainless steel T-joint	YW52010400000
6	Operation panel	YR40009500000	26	Pipe couple 1/4"	BH12010400110
7	Temperature controller V200	YE81020024000	27	Copper connector for water refilling	-
8	Electrical mounting plate	-	28	Copper Teflon pipe connector 1/4H×1/4PT	BH12010400410
9	EGO assembly (without plastic box)	BH90115000150	29	Copper connector unit 3	-
10	High and low pressure switch HLP830HMW	YE90832500000	30	Solenoid valve	YE32331000000
11	Copper Teflon pipe coupler 3/4" ×1/2"PT	BH12030401010	31	Rack	-
12	Heating tank	-	32	Hexnut M10	YW64001000300
13	Heater	-	33	Copper Teflon pipe coupler 3/4"H×PT×1/4	BH12030401010
14	Heater guard	BL80091000120	34	Pump TP-37	BM20023450050
15	Hexnut M6	YW64000600300	35	Black rubber castor 2"	YW03000200000
16	Hexagon socket head cap screw M10×25	YW61102500000	36	Hexnut M8	YW61000800200
17	Spring washer 10	YW65010000000	37	Spring washer 8	YW65008000200
18	Flat washer 10	YW66102500000	38	Falt washer 8	YW66082200100
19	Copper Teflon pipe coupler 3/8H×3/8PT(L)	YW04030800300	39	Hexbolt M8×25	YW60082500300
20	Thermocouple (short)	BE90100000150			

* means possible broken parts.

** means easy broken part. and spare backup is suggested.

Please confirm the version of manual before placing the purchase order to guarantee that the item number of the spare part is in accordance with the real object.

2.2.5 Pump



Part Name:

1. Pump body

4. Key

7. Snap ring

10. Motor

2. O-shape ring

5. Pump lid

8. Mechanical shaft seal

3. Impeller

6. Hexagonal head screw

9. Rotary ring

Picture 2-5: Pump