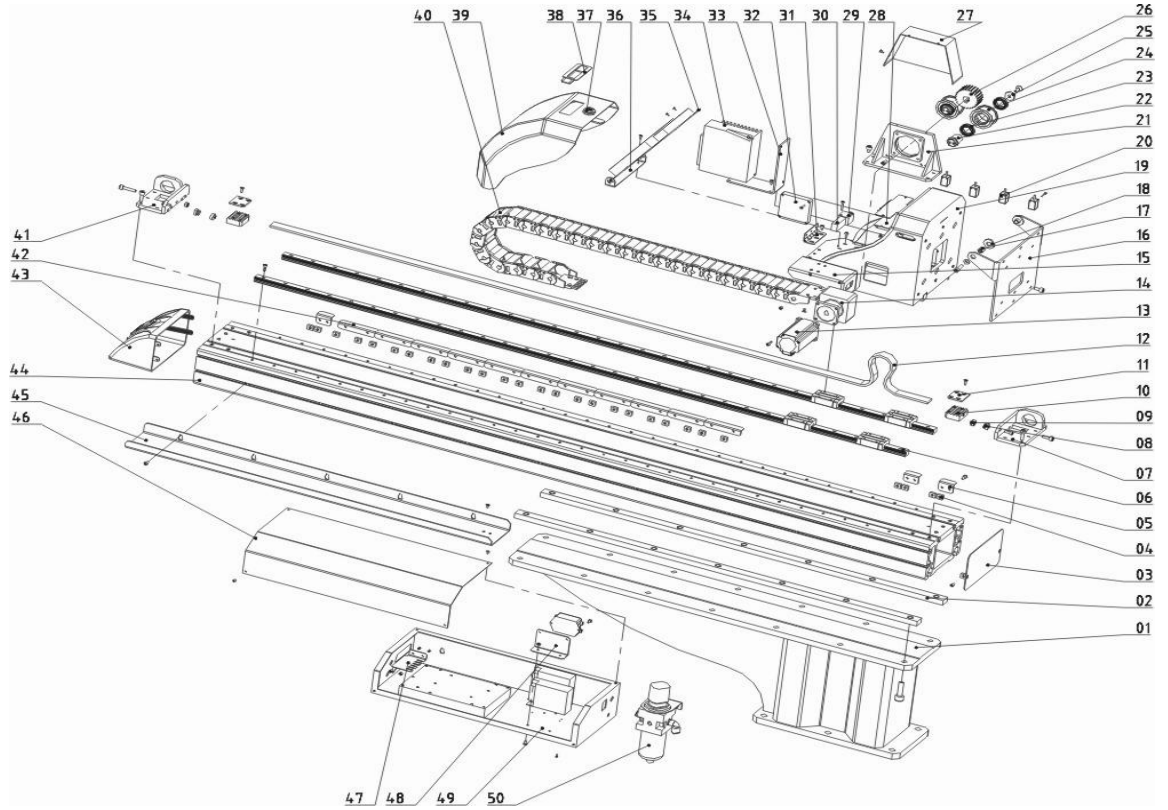


7. Assembly Diagram

7.1 Traverse Unit (ST1 and ST1-T)



Picture 7-1

7.1.1 Parts List

Table 7-1: Parts List

| No. | Name | Part number | | | |
|-----|--|---------------|---------------|---------------|---------------|
| | | ST1-550-1000 | ST1-550-1000D | ST1-700-1400 | ST1-700-1400D |
| 1 | Base | BH10550700010 | BH10550700010 | BH10550700010 | BH10550700010 |
| 2 | Fixing plate of beam installation | - | - | - | - |
| 3 | End cover of beam | BL70103300020 | BL70103300020 | BL70103300020 | BL70103300020 |
| 4 | Fixing sliding block | YW09161400110 | YW09161400110 | YW09161400110 | YW09161400110 |
| 5 | Limited sensor panel | BL69335000020 | BL69335000020 | BL69335000020 | BL69335000020 |
| 6 | Linear guiding rail | YW31002016000 | YW31002016000 | YW31002017000 | YW31184020000 |
| 7 | Belt fixing frame 2 | - | - | - | - |
| 8 | Buffer unit | BH91151200010 | BH91151200010 | BH91151200010 | BH91151200010 |
| 9 | Buffer cap | YW80200000000 | YW80200000000 | YW80200000000 | YW80200000000 |
| 10 | Belt holding plate | YW09474000110 | YW09474000110 | YW09474000110 | YW09474000110 |
| 11 | Belt splint connecting piece | BL70110100020 | BL70110100020 | BL70110100020 | BL70110100020 |
| 12 | Synchronous belt | YR00082500100 | YR00082500100 | YR00082500100 | YR00082500100 |
| 13 | Servo motor | - | - | - | - |
| 14 | Speed reducer | - | - | - | - |
| 15 | Fixing plate of traverse drag chain | BL71555300020 | BL71555300020 | BL71555300020 | BL71555300020 |
| 16 | Vertical aluminum profile connection board | BL70123000020 | BL70123000020 | BL70123000020 | BL70123000020 |
| 17 | Fixing shaft on vertical beam | BH91131700010 | BH91131700010 | BH91131700010 | BH91131700010 |
| 18 | Washer | BH91301400010 | BH91301400010 | BH91301400010 | BH91301400010 |
| 19 | Sliding seat | - | - | - | - |
| 20 | Proximity switch | - | - | - | - |
| 21 | Motor supporting frame | BH10155000010 | BH10155000010 | BH10155000010 | BH10155000010 |

| | | | | | |
|----|--------------------------------------|---------------|---------------|---------------|---------------|
| 22 | Connection shaft | BH91303900010 | BH91303900010 | BH91303900010 | BH91303900010 |
| 23 | Pulley bearing | YW11600500000 | YW11600500000 | YW11600500000 | YW11600500000 |
| 24 | Pulley | BH91030000010 | BH91030000010 | BH91030000010 | BH91030000010 |
| 25 | Special washer | BL70107700040 | BL70107700040 | BL70107700040 | BL70107700040 |
| 26 | Synchronous pulley | BL70107700040 | BL70107700040 | BL70107700040 | YW08621900100 |
| 27 | Motor supporting cover | BL70107700040 | BL70107700040 | BL70107700040 | BL21000100520 |
| 28 | Brake resistor | BL70107700040 | BL70107700040 | BL70107700040 | YE20100500100 |
| 29 | Fixing plate of pressure switch | BH91282500110 | BH91282500110 | BH91282500110 | BH91282500110 |
| 30 | Pressure switch | - | - | - | - |
| 31 | Hinge | YW06253200000 | YW06253200000 | YW06253200000 | YW06253200000 |
| 32 | Exhaust fan | YW06253200000 | YW06253200000 | YW06253200000 | YM50801502400 |
| 33 | Driven mounting plate | BL70553200020 | BL70553200020 | BL70553200020 | BL70553200020 |
| 34 | Servo drive | - | - | - | - |
| 35 | Traverse terminal installation frame | BL70112100020 | BL70112100020 | BL70112100020 | BL70112100020 |
| 36 | Traverse terminal bottom frame | BL70112100020 | BL70112100020 | BL70112100020 | BL70112020040 |
| 37 | Lock | BL70112100020 | BL70112100020 | BL70112100020 | YW00000000100 |
| 38 | Trapezoid plastic handle | BL70112100020 | BL70112100020 | BL70112100020 | YR40914040000 |
| 39 | Sliding seat cover | BL70112100020 | BL70112100020 | BL70112100020 | BL70127000020 |
| 40 | Traverse drag chain | BL70112100020 | BL70112100020 | BL70112100020 | YE60250007500 |
| 41 | Belt fixing frame 1 | BL70112100020 | BL70112100020 | BL70112100020 | BL71010900020 |
| 42 | Safety sensor panel of mold | BL70112100020 | BL70112100020 | BL70112100020 | BL69002200020 |
| 43 | End cover of traverse beam | BL70112100020 | BL70112100020 | BL70112100020 | BH74000100010 |
| 44 | Aluminum profile of traverse | BH91159000010 | BH91159000010 | BH91201200010 | BH91201200010 |
| 45 | Traverse drag chain supporting frame | BL70551300020 | BL70551300020 | BL70714300020 | BL70714300020 |
| 46 | Cover of control box | BL71071420020 | BL71071420020 | BL71071420020 | BL71071420020 |
| 47 | Connection plate of grounder | BL71071420020 | BL71071420020 | BL71071420020 | BL70126000020 |

| | | | | | |
|----|-------------------------|---------------|---------------|---------------|---------------|
| 48 | Filter mounting plate | BL71071420020 | BL71071420020 | BL71071420020 | BL70113000020 |
| 49 | Control box | BL71071420020 | BL71071420020 | BL71071420020 | BL71071400020 |
| 50 | Filter regulating valve | YE30320400100 | YE30320400100 | BL71071420020 | YE30301000000 |

* means possible broken parts.

** means easy broken part. and spare backup is suggested.

Please confirm the version of manual before placing the purchase order to guarantee that the item number of the spare part is in accordance with the real object.

Table 7-2: Parts List

| No. | Name | Part number | | | |
|-----|--|---------------|---------------|---------------|----------------|
| | | ST1-900-1600 | ST1-900-1600D | ST1-1100-1800 | ST1-1100-1800D |
| 1 | Base | BH10591100010 | BH10591100010 | BH10591100010 | BH10591100010 |
| 2 | Fixing plate of beam installation | - | - | - | - |
| 3 | End cover of beam | BL70103300020 | BL70103300020 | BL70103300020 | BL70103300020 |
| 4 | Fixing sliding block | YW09161400110 | YW09161400110 | YW09161400110 | YW09161400110 |
| 5 | Limited sensor panel | BL69335000020 | BL69335000020 | BL69335000020 | BL69335000020 |
| 6 | Linear guiding rail | - | - | - | - |
| 7 | Belt fixing frame 2 | - | - | - | - |
| 8 | Buffer unit | BH91151200010 | BH91151200010 | BH91151200010 | BH91151200010 |
| 9 | Buffer cap | YW80200000000 | YW80200000000 | YW80200000000 | YW80200000000 |
| 10 | Belt holding plate | YW09474000110 | YW09474000110 | YW09474000110 | YW09474000110 |
| 11 | Belt splint connecting piece | BL70110100020 | BL70110100020 | BL70110100020 | BL70110100020 |
| 12 | Synchronous belt | YR00082500100 | YR00082500100 | YR00082500100 | YR00082500100 |
| 13 | Servo motor | - | - | - | - |
| 14 | Speed reducer | - | - | - | - |
| 15 | Fixing plate of traverse drag chain | BL71555300020 | BL71555300020 | BL71555300020 | BL71555300020 |
| 16 | Vertical aluminum profile connection board | BL70123000020 | BL70123000020 | BL70123000020 | BL70123000020 |
| 17 | Fixing shaft on vertical beam | BH91131700010 | BH91131700010 | BH91131700010 | BH91131700010 |
| 18 | Washer | BH91301400010 | BH91301400010 | BH91301400010 | BH91301400010 |
| 19 | Sliding seat | - | - | - | - |
| 20 | Proximity switch | - | - | - | - |
| 21 | Motor supporting frame | BH10155000010 | BH10155000010 | BH10155000010 | BH10155000010 |

| | | | | | |
|----|--------------------------------------|---------------|---------------|---------------|---------------|
| 22 | Connection shaft | BH91303900010 | BH91303900010 | BH91303900010 | BH91303900010 |
| 23 | Pulley bearing | YW11600500000 | YW11600500000 | YW11600500000 | YW11600500000 |
| 24 | Pulley | BH91030000010 | BH91030000010 | BH91030000010 | BH91030000010 |
| 25 | Special washer | BL70107700040 | BL70107700040 | BL70107700040 | BL70107700040 |
| 26 | Synchronous pulley | BL70107700040 | BL70107700040 | BL70107700040 | YW08621900100 |
| 27 | Motor supporting cover | BL70107700040 | BL70107700040 | BL70107700040 | BL21000100520 |
| 28 | Brake resistor | BL70107700040 | BL70107700040 | BL70107700040 | YE20100500100 |
| 29 | Fixing plate of pressure switch | BH91282500110 | BH91282500110 | BH91282500110 | BH91282500110 |
| 30 | Pressure switch | - | - | - | - |
| 31 | Hinge | YW06253200000 | YW06253200000 | YW06253200000 | YW06253200000 |
| 32 | Exhaust fan | YW06253200000 | YW06253200000 | YW06253200000 | YM50801502400 |
| 33 | Driven mounting plate | BL70553200020 | BL70553200020 | BL70553200020 | BL70553200020 |
| 34 | Servo drive | - | - | - | - |
| 35 | Traverse terminal installation frame | BL70112100020 | BL70112100020 | BL70112100020 | BL70112100020 |
| 36 | Traverse terminal bottom frame | BL70112100020 | BL70112100020 | BL70112100020 | BL70112020040 |
| 37 | Lock | BL70112100020 | BL70112100020 | BL70112100020 | YW00000000100 |
| 38 | Trapezoid plastic handle | BL70112100020 | BL70112100020 | BL70112100020 | YR40914040000 |
| 39 | Sliding seat cover | BL70112100020 | BL70112100020 | BL70112100020 | BL70127000020 |
| 40 | Traverse drag chain | BL70112100020 | BL70112100020 | BL70112100020 | YE60250007500 |
| 41 | Belt fixing frame 1 | BL70112100020 | BL70112100020 | BL70112100020 | BL71010900020 |
| 42 | Safety sensor panel of mold | BL70112100020 | BL70112100020 | BL70112100020 | BL69002200020 |
| 43 | End cover of traverse beam | BL70112100020 | BL70112100020 | BL70112100020 | BH74000100010 |
| 44 | Aluminum profile of traverse | BH91219000010 | BH91219000010 | BH91243000010 | BH91243000010 |
| 45 | Traverse drag chain supporting frame | BL70916300020 | BL70916300020 | BL70118300020 | BL70118300020 |

| | | | | | |
|----|------------------------------|---------------|---------------|---------------|---------------|
| 46 | Cover of control box | BL70125000020 | BL70125000020 | BL70125000020 | BL70125000020 |
| 47 | Connection plate of grounder | BL71071420020 | BL71071420020 | BL71071420020 | BL70126000020 |
| 48 | Filter mounting plate | BL71071420020 | BL71071420020 | BL71071420020 | BL70113000020 |
| 49 | Control box | BL70124000020 | BL70124000020 | BL70124000020 | BL70124000020 |
| 50 | Filter regulating valve | BL71071420020 | BL71071420020 | BL71071420020 | YE30301000000 |

* means possible broken parts.

** means easy broken part. and spare backup is suggested.

Please confirm the version of manual before placing the purchase order to guarantee that the item number of the spare part is in accordance with the real object.

Table 7-3: Parts List

| No. | Name | Part number | | | |
|-----|--|---------------|----------------|---------------|---------------|
| | | ST1-700-1400T | ST1-700-1400DT | ST1-900-1600T | ST1-900-1600T |
| 1 | Base | - | - | - | - |
| 2 | Fixing plate of beam installation | - | - | - | - |
| 3 | End cover of beam | BL70103300020 | BL70103300020 | BL70103300020 | BL70103300020 |
| 4 | Fixing sliding block | YW09161400110 | YW09161400110 | YW09161400110 | YW09161400110 |
| 5 | Limited sensor panel | BL69335000020 | BL69335000020 | BL69335000020 | BL69335000020 |
| 6 | Linear guiding rail | - | - | - | - |
| 7 | Belt fixing frame 2 | - | - | - | - |
| 8 | Buffer unit | BH91151200010 | BH91151200010 | BH91151200010 | BH91151200010 |
| 9 | Buffer cap | YW80200000000 | YW80200000000 | YW80200000000 | YW80200000000 |
| 10 | Belt holding plate | - | - | - | - |
| 11 | Belt splint connecting piece | BL70110100020 | BL70110100020 | BL70110100020 | BL70110100020 |
| 12 | Synchronous belt | YR00082500100 | YR00082500100 | YR00082500100 | YR00082500100 |
| 13 | Servo motor | - | - | - | - |
| 14 | Speed reducer | - | - | - | - |
| 15 | Fixing plate of traverse drag chain | BL71555300020 | BL71555300020 | BL71555300020 | BL71555300020 |
| 16 | Vertical aluminum profile connection board | BL70123000020 | BL70123000020 | BL70123000020 | BL70123000020 |
| 17 | Fixing shaft on vertical beam | BH91131700010 | BH91131700010 | BH91131700010 | BH91131700010 |
| 18 | Washer | BH91301400010 | BH91301400010 | BH91301400010 | BH91301400010 |
| 19 | Sliding seat | - | - | - | - |
| 20 | Proximity switch | - | - | - | - |
| 21 | Motor supporting frame | BH10155000010 | BH10155000010 | BH10155000010 | BH10155000010 |
| 22 | Connection shaft | BH91303900010 | BH91303900010 | BH91303900010 | BH91303900010 |
| 23 | Pulley bearing | YW11600500000 | YW11600500000 | YW11600500000 | YW11600500000 |
| 24 | Pulley | BH91030000010 | BH91030000010 | BH91030000010 | BH91030000010 |

| | | | | | |
|----|--------------------------------------|---------------|---------------|---------------|---------------|
| 25 | Special washer | BL70107700040 | BL70107700040 | BL70107700040 | BL70107700040 |
| 26 | Synchronous pulley | - | - | - | - |
| 27 | Motor supporting cover | BL70107700040 | BL70107700040 | BL70107700040 | BL21000100520 |
| 28 | Brake resistor | BL70107700040 | BL70107700040 | BL70107700040 | YE20100500100 |
| 29 | Fixing plate of pressure switch | BH91282500110 | BH91282500110 | BH91282500110 | BH91282500110 |
| 30 | Pressure switch | - | - | - | - |
| 31 | Hinge | YW06253200000 | YW06253200000 | YW06253200000 | YW06253200000 |
| 32 | Exhaust fan | YW06253200000 | YW06253200000 | YW06253200000 | YM50801502400 |
| 33 | Driven mounting plate | BL70553200020 | BL70553200020 | BL70553200020 | BL70553200020 |
| 34 | Servo drive | - | - | - | - |
| 35 | Traverse terminal installation frame | BL70112100020 | BL70112100020 | BL70112100020 | BL70112100020 |
| 36 | Traverse terminal bottom frame | BL70112100020 | BL70112100020 | BL70112100020 | BL70112020040 |
| 37 | Lock | BL70112100020 | BL70112100020 | BL70112100020 | YW00000000100 |
| 38 | Trapezoid plastic handle | BL70112100020 | BL70112100020 | BL70112100020 | YR40914040000 |
| 39 | Sliding seat cover | BL70112100020 | BL70112100020 | BL70112100020 | BL70127000020 |
| 40 | Traverse drag chain | BL70112100020 | BL70112100020 | BL70112100020 | BL70127000020 |
| 41 | Belt fixing frame 1 | BL70112100020 | BL70112100020 | BL70112100020 | BL71010900020 |
| 42 | Safety sensor panel of mold | BL70112100020 | BL70112100020 | BL70112100020 | BL69002200020 |
| 43 | End cover of traverse beam | BL70112100020 | BL70112100020 | BL70112100020 | BH74000100010 |
| 44 | Aluminum profile of traverse | - | - | BH91219000010 | BH91219000010 |
| 45 | Traverse drag chain supporting frame | - | - | BL70916300020 | BL70916300020 |
| 46 | Cover of control box | BL71071420020 | BL71071420020 | BL70125000020 | BL70125000020 |
| 47 | Connection plate of grounder | BL71071420020 | BL71071420020 | BL71071420020 | BL70126000020 |
| 48 | Filter mounting plate | BL71071420020 | BL71071420020 | BL71071420020 | BL70113000020 |
| 49 | Control box | BL71071420020 | BL71071420020 | BL70124000020 | BL70124000020 |

| | | | | | |
|----|-------------------------|---|---|---|---|
| 50 | Filter regulating valve | - | - | - | - |
|----|-------------------------|---|---|---|---|

* means possible broken parts.

** means easy broken part. and spare backup is suggested.

Please confirm the version of manual before placing the purchase order to guarantee that the item number of the spare part is in accordance with the real object.

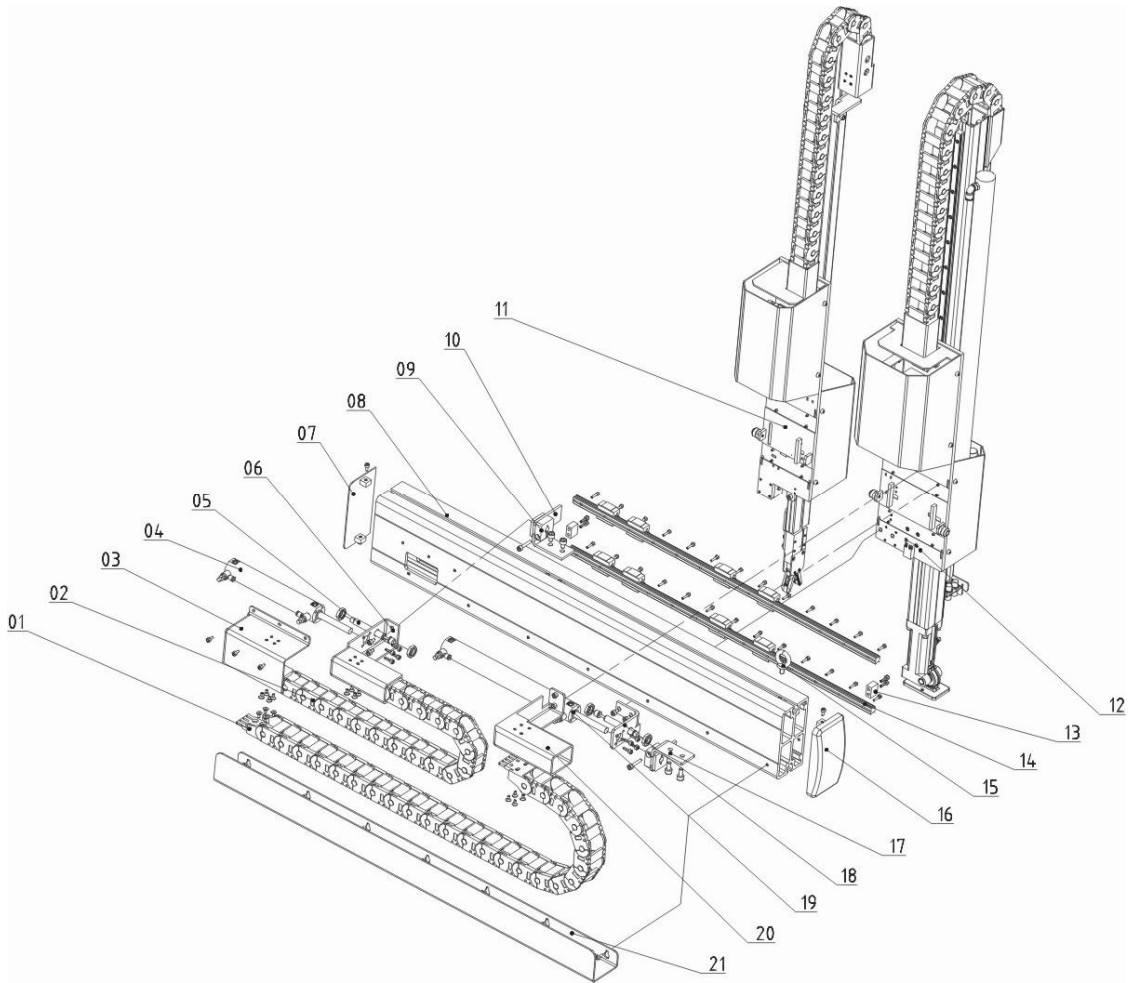
Table 7-4: Parts List

| No. | Name | Part number | | | |
|-----|--|----------------|-----------------|----------------|----------------|
| | | ST1-1100-1800T | ST1-1100-1800DT | ST1-1300-2000T | ST1-1300-2000T |
| 1 | Base | BW21132000000 | BW21132000000 | BL72113200020 | BL72113200020 |
| 2 | Fixing plate of beam installation | - | - | - | - |
| 3 | End cover of beam | BL70103300020 | BL70103300020 | BL70103300020 | BL70103300020 |
| 4 | Fixing sliding block | YW09161400110 | YW09161400110 | YW09161400110 | YW09161400110 |
| 5 | Limited sensor panel | BL69335000020 | BL69335000020 | BL69335000020 | BL69335000020 |
| 6 | Linear guiding rail | - | - | - | - |
| 7 | Belt fixing frame 2 | - | - | - | - |
| 8 | Buffer unit | BH91151200010 | BH91151200010 | BH91151200010 | BH91151200010 |
| 9 | Buffer cap | YW80200000000 | YW80200000000 | YW80200000000 | YW80200000000 |
| 10 | Belt holding plate | - | - | - | - |
| 11 | Belt splint connecting piece | BL70110100020 | BL70110100020 | BL70110100020 | BL70110100020 |
| 12 | Synchronous belt | YR00082500100 | YR00082500100 | YR00082500100 | YR00082500100 |
| 13 | Servo motor | - | - | - | - |
| 14 | Speed reducer | - | - | - | - |
| 15 | Fixing plate of traverse drag chain | BL71555300020 | BL71555300020 | BL71555300020 | BL71555300020 |
| 16 | Vertical aluminum profile connection board | - | - | - | - |
| 17 | Fixing shaft on vertical beam | - | - | - | - |
| 18 | Washer | - | - | - | - |
| 19 | Sliding seat | BL72118000020 | BL72118000020 | BL72118000020 | BL72118000020 |
| 20 | Proximity switch | - | - | - | - |
| 21 | Motor supporting frame | BL72109000040 | BL72109000040 | BL72109000040 | BL72109000040 |
| 22 | Connection shaft | BH78111000010 | BH78111000010 | BH78111000010 | BH78111000010 |
| 23 | Pulley bearing | YW11600500000 | YW11600500000 | YW11600500000 | YW11600500000 |
| 24 | Pulley | BH91030000010 | BH91030000010 | BH91030000010 | BH91030000010 |
| 25 | Special washer | BL70107700040 | BL70107700040 | BL70107700040 | BL70107700040 |

| | | | | | |
|----|--------------------------------------|---------------|---------------|---------------|---------------|
| 26 | Synchronous pulley | YW08304100000 | YW08304100000 | YW08304100000 | YW08304100000 |
| 27 | Motor supporting cover | BL72108200020 | BL72108200020 | BL72108200020 | BL72108200020 |
| 28 | Brake resistor | BL70107700040 | BL70107700040 | BL70107700040 | YE20100500100 |
| 29 | Fixing plate of pressure switch | - | - | - | - |
| 30 | Pressure switch | - | - | - | - |
| 31 | Hinge | YW06253200000 | YW06253200000 | YW06253200000 | YW06253200000 |
| 32 | Exhaust fan | YW06253200000 | YW06253200000 | YW06253200000 | YM50801502400 |
| 33 | Driven mounting plate | - | - | - | - |
| 34 | Servo drive | - | - | - | - |
| 35 | Traverse terminal installation frame | BL72103000020 | BL72103000020 | BL72103000020 | BL72103000020 |
| 36 | Traverse terminal bottom frame | BL72104100020 | BL72104100020 | BL72104100020 | BL72104100020 |
| 37 | Lock | BL70112100020 | BL70112100020 | BL70112100020 | YW00000000100 |
| 38 | Trapezoid plastic handle | BL70112100020 | BL70112100020 | BL70112100020 | YR40914040000 |
| 39 | Sliding seat cover | BL72105000020 | BL72105000020 | BL72105000020 | BL72105000020 |
| 40 | Traverse drag chain | YW06251500000 | YW06251500000 | YW06251500000 | YW06251500000 |
| 41 | Belt fixing frame 1 | BL70112100020 | BL70112100020 | BL70112100020 | BL71010900020 |
| 42 | Safety sensor panel of mold | BL70112100020 | BL70112100020 | BL70112100020 | BL69002200020 |
| 43 | End cover of traverse beam | BL70112100020 | BL70112100020 | BL70112100020 | BH74000100010 |
| 44 | Aluminum profile of traverse | BH72111800010 | BH72111800010 | BH78113000013 | BH78113000013 |
| 45 | Traverse drag chain supporting frame | BL72110800020 | BL72110800020 | BL72132200020 | BL72132200020 |
| 46 | Cover of control box | BL72107000020 | BL72107000020 | BL72107000020 | BL72107000020 |
| 47 | Connection plate of grounder | BL71071420020 | BL71071420020 | BL71071420020 | BL70126000020 |
| 48 | Filter mounting plate | BL71071420020 | BL71071420020 | BL71071420020 | BL70113000020 |
| 49 | Control box | BL72106000020 | BL72106000020 | BL72106000020 | BL72106000020 |
| 50 | Filter regulating valve | YE30400015000 | YE30400015000 | YE30400015000 | YE30400015000 |

* means possible broken parts. ** means easy broken part. and spare backup is suggested. Please confirm the version of manual before placing the purchase order to guarantee that the item number of the spare part is in accordance with the real object.

7.2 Vertical Unit (ST1)



Picture 7-2

7.2.1 Parts List

Table 7-5: Parts List

| No. | Name | Part number | | | |
|-----|---|---------------|---------------|---------------|---------------|
| | | ST1-550-1000 | ST1-550-1000D | ST1-700-1400 | ST1-700-1400D |
| 1 | Vertical drag on main arm | YE60250003100 | YE60250003100 | YE60250003100 | YE60250003100 |
| 2 | Vertical drag on sub-arm | YE60250003100 | YE60250003100 | YE60250003100 | YE60250005500 |
| 3 | Cover of drag | YE60250003100 | YE60250003100 | YE60250003100 | BL70105000020 |
| 4 | Vertical cylinder on sub-arm | - | - | - | - |
| 5 | Shock absorber | - | - | - | - |
| 6 | Vertical drag frame on sub-arm | BL70150900020 | BL70150900020 | BL70150900020 | BL70150900020 |
| 7 | Left cover of vertical arm | BL70107000020 | BL70107000020 | BL70107000020 | BL70107000020 |
| 8 | Vertical aluminum profile | BH91801600010 | BH91801600010 | BH91801600010 | BH91801600010 |
| 9 | Piston rod | YW09055000300 | YW09055000300 | YW09055000300 | YW09055000300 |
| 10 | Vertical cylinder holder frame of sub arm | - | BL70104000040 | - | BL70104000040 |
| 11 | Sub-arm | - | - | - | - |
| 12 | Main arm | - | - | - | BH72701400010 |
| 13 | Limit block | BH91202500110 | BH91202500110 | BH91202500110 | BH91202500110 |
| 14 | Linear guiding rail | - | - | - | - |
| 15 | Lifting rings | YW09000800000 | YW09000800000 | YW09000800000 | YW09000800000 |
| 16 | Right cover of vertical | BH91905000010 | BH91905000010 | BH91905000010 | BH91905000010 |
| 17 | Cylinder holder frame on main arm | BL70104000040 | BL70104000040 | BL70104000040 | BL70104000040 |
| 18 | Fixing frame of vertical cylinder | BL70103000040 | BL70103000040 | BL70103000040 | BL70103000040 |
| 19 | Vertical cylinder on main arm | - | - | - | YE30321500000 |

| | | | | | |
|----|---------------------------------|---------------|---------------|---------------|---------------|
| 20 | Vertical drag frame on main arm | BL70111000020 | BL70111000020 | BL70111000020 | BL70111000020 |
| 21 | Vertical drag supporting frame | BL70550900020 | BL70550900020 | BL70550900020 | BL70550900020 |

* means possible broken parts.

** means easy broken part. and spare backup is suggested.

Please confirm the version of manual before placing the purchase order to guarantee that the item number of the spare part is in accordance with the real object.

Table 7-6: Parts List

| No. | Name | Part number | | | |
|-----|---|---------------|---------------|---------------|----------------|
| | | ST1-900-1600 | ST1-900-1600D | ST1-1100-1800 | ST1-1100-1800D |
| 1 | Vertical drag on main arm | YE60250003100 | YE60250003100 | YE60250003100 | YE60250003100 |
| 2 | Vertical drag on sub-arm | YE60250003100 | YE60250003100 | YE60250003100 | YE60250005500 |
| 3 | Cover of drag | YE60250003100 | YE60250003100 | YE60250003100 | BL70105000020 |
| 4 | Vertical cylinder on sub-arm | - | - | - | - |
| 5 | Shock absorber | - | - | - | - |
| 6 | Vertical drag frame on sub-arm | BL70150900020 | BL70150900020 | BL70150900020 | BL70150900020 |
| 7 | Left cover of vertical arm | BL70107000020 | BL70107000020 | BL70107000020 | BL70107000020 |
| 8 | Vertical aluminum profile | BH91115000010 | BH91115000010 | BH91139000010 | BH91139000010 |
| 9 | Piston rod | YW09055000300 | YW09055000300 | YW09055000300 | YW09055000300 |
| 10 | Vertical cylinder holder frame of sub arm | - | BL70104000040 | - | BL70104000040 |
| 11 | Sub-arm | - | - | -- | - |
| 12 | Main arm | - | BH72901600010 | - | BH78180022010 |
| 13 | Limit block | BH91202500110 | BH91202500110 | BH91202500110 | BH91202500110 |
| 14 | Linear guiding rail | - | - | - | - |
| 15 | Lifting rings | YW09000800000 | YW09000800000 | YW09000800000 | YW09000800000 |
| 16 | Right cover of vertical | BH91905000010 | BH91905000010 | BH91905000010 | BH91905000010 |
| 17 | Cylinder holder frame on main arm | BL70104000040 | BL70104000040 | BL70104000040 | BL70104000040 |
| 18 | Fixing frame of vertical cylinder | BL70103000040 | BL70103000040 | BL70103000040 | BL70103000040 |
| 19 | Vertical cylinder on main arm | - | - | - | - |

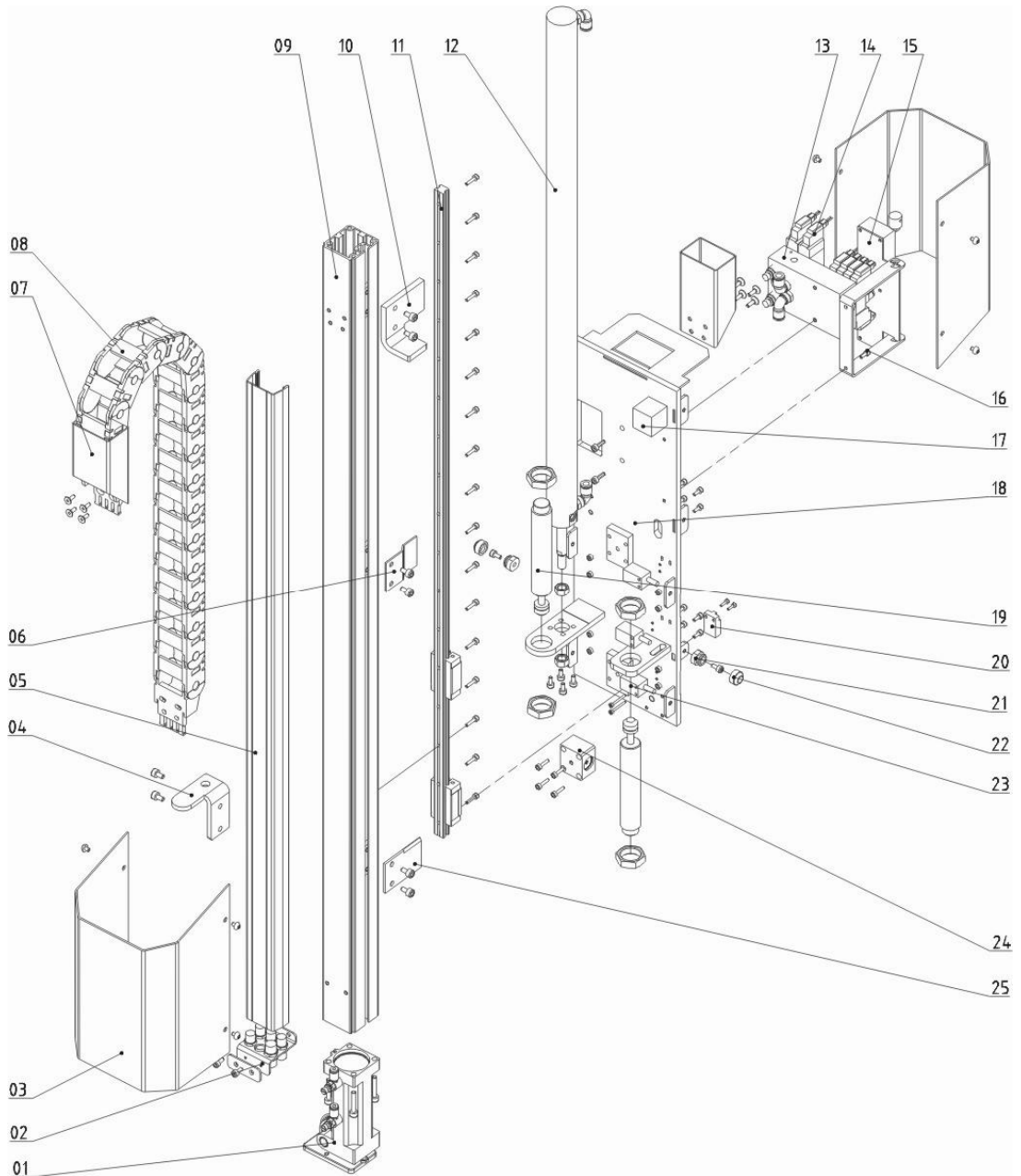
| | | | | | |
|----|---------------------------------|---------------|---------------|---------------|---------------|
| 20 | Vertical drag frame on main arm | BL70111000020 | BL70111000020 | BL70111000020 | BL70111000020 |
| 21 | Vertical drag supporting frame | BL70190900020 | BL70190900020 | BL70110900020 | BL70110900020 |

* means possible broken parts.

** means easy broken part. and spare backup is suggested.

Please confirm the version of manual before placing the purchase order to guarantee that the item number of the spare part is in accordance with the real object.

7.3 Main arm unit (ST1)



Picture 7-3

7.3.1 Parts List

Table 7-7: Parts List

| No. | Name | Part number | | | |
|-----|--|---------------|---------------|---------------|---------------|
| | | ST1-550-1000 | ST1-550-1000D | ST1-700-1400 | ST1-700-1400D |
| 1 | Rotation board | BH10550900020 | BH10550900020 | BH10550900020 | BH10550900020 |
| 2 | Spare frame for air pipe | BH10550900020 | BH10550900020 | BH10550900020 | BL70102600020 |
| 3 | Steel covers of main arm | BH10550900020 | BH10550900020 | BH10550900020 | BL70109000020 |
| 4 | Cylinder holder frame on main arm | BH10550900020 | BH10550900020 | BH10550900020 | BL70115500040 |
| 5 | Aluminum cover of main arm | - | - | BH91502550010 | BH91502550010 |
| 6 | Stack sensor sheet | BH91502550010 | BH91502550010 | BH91502550010 | BL70112000040 |
| 7 | Drag chain connector on main arm | BL70108000020 | BL70108000020 | BL70108000020 | BL70108000020 |
| 8 | Drag chain on main arm (up/down) | YE60250003700 | YE60250003700 | YE60250003700 | YE60250003700 |
| 9 | Main arm aluminum profile | BH91106500010 | BH91106500010 | BH91505400010 | BH91505400010 |
| 10 | Down sensor sheet on main arm | - | - | - | - |
| 11 | Linear guiding rail | - | - | - | - |
| 12 | Cylinder on main arm (up/down) | - | - | - | - |
| 13 | Pneumatic distribution block on main arm | BH72551100050 | BH72551100050 | BH72551100050 | BH72551100050 |
| 14 | Magnetic valve | - | - | - | - |
| 15 | Connection mounting plate on main arm | - | - | - | - |
| 16 | Terminal bottom frame on main arm | BL70119000040 | BL70119000040 | BL70119000040 | BL70119000040 |
| 17 | Digital display | YE15300102500 | YE15300102500 | YE15300102500 | YE15300102500 |

| | | | | | |
|----|-----------------------------------|---------------|---------------|---------------|---------------|
| | pressure switch | | | | |
| 18 | Main arm mounting plate | BL71080100020 | BL71080100020 | BL71080100020 | BL71080100020 |
| 19 | Shock absorber | YW82141600000 | YW82141600000 | YW82141600000 | YW82141600000 |
| 20 | Proximity switch | - | - | - | - |
| 21 | Buffer unit | BH91181200010 | BH91181200010 | BH91181200010 | BH91181200010 |
| 22 | Buffer cap | YW80200000000 | YW80200000000 | YW80200000000 | YW80200000000 |
| 23 | Proximity switch | - | - | - | YE15050100300 |
| 24 | Falling- proof cylinder | YE30055000350 | YE30055000350 | YE30055000350 | YE30055000350 |
| 25 | Up-going sensor sheet on main arm | BL70101000040 | BL70101000040 | BL70101000040 | BL70101000040 |

* means possible broken parts.

** means easy broken part. and spare backup is suggested.

Please confirm the version of manual before placing the purchase order to guarantee that the item number of the spare part is in accordance with the real object.

Table 7-8: Parts List

| No. | Name | Part number | | | |
|-----|--|---------------|---------------|---------------|----------------|
| | | ST1-900-1600 | ST1-900-1600D | ST1-1100-1800 | ST1-1100-1800D |
| 1 | Rotation board | BH10550900020 | BH10550900020 | BH10550900020 | BH10550900020 |
| 2 | Spare frame for air pipe | BL70102600020 | BL70102600020 | BL70102600020 | BL70102600020 |
| 3 | Steel covers of main arm | BH10550900020 | BH10550900020 | BH10550900020 | BL70109000020 |
| 4 | Cylinder holder frame on main arm | BH10550900020 | BH10550900020 | BH10550900020 | BL70115500040 |
| 5 | Aluminum cover of main arm | - | - | - | - |
| 6 | Stack sensor sheet | BH91502550010 | BH91502550010 | BH91502550010 | BL70112000040 |
| 7 | Drag chain connector on main arm | BL70108000020 | BL70108000020 | BL70108000020 | BL70108000020 |
| 8 | Drag chain on main arm (up/down) | YE60250003700 | YE60250003700 | YE60250003700 | YE60250003700 |
| 9 | Main arm aluminum profile | BH91142500010 | BH91142500010 | BH91166500010 | BH91166500010 |
| 10 | Down sensor sheet on main arm | - | - | - | - |
| 11 | Linear guiding rail | - | - | - | - |
| 12 | Cylinder on main arm (up/down) | - | - | - | - |
| 13 | Pneumatic distribution block on main arm | BH72551100050 | BH72551100050 | BH72551100050 | BH72551100050 |
| 14 | Magnetic valve | - | - | - | - |
| 15 | Connection mounting plate on main arm | - | - | - | - |
| 16 | Terminal bottom frame on main arm | BL70119000040 | BL70119000040 | BL70119000040 | BL70119000040 |
| 17 | Digital display pressure switch | YE15300102500 | YE15300102500 | YE15300102500 | YE15300102500 |
| 18 | Main arm mounting plate | BL71080100020 | BL71080100020 | BL71080100020 | BL71080100020 |
| 19 | Shock absorber | YW82141600000 | YW82141600000 | YW82141600000 | YW82141600000 |
| 20 | Proximity switch | - | - | - | - |

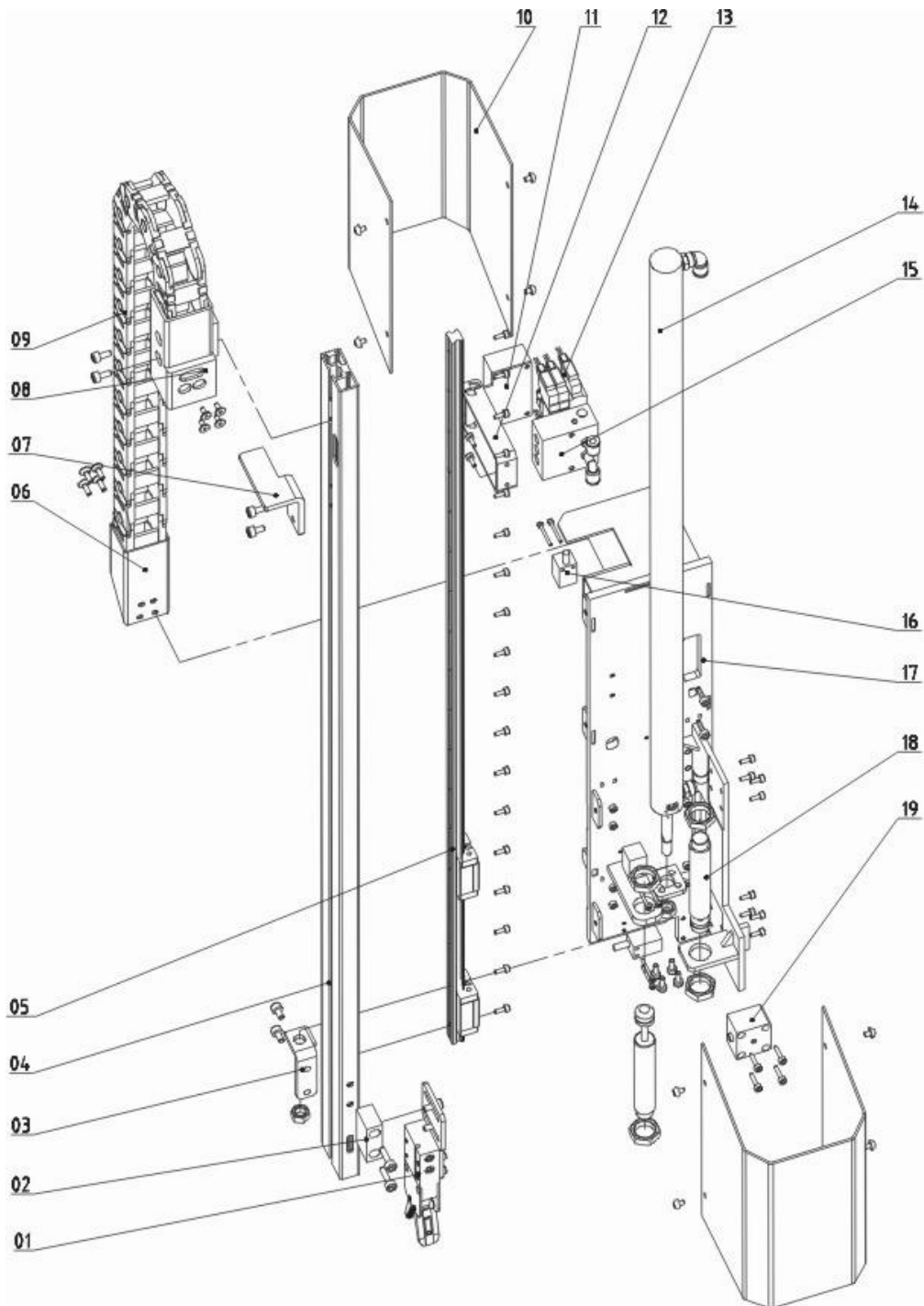
| | | | | | |
|----|-----------------------------------|---------------|---------------|---------------|---------------|
| 21 | Buffer unit | BH91181200010 | BH91181200010 | BH91181200010 | BH91181200010 |
| 22 | Buffer cap | YW80200000000 | YW80200000000 | YW80200000000 | YW80200000000 |
| 23 | Proximity switch | - | - | - | - |
| 24 | Falling- proof cylinder | - | YE30055000350 | - | YE30055000350 |
| 25 | Up-going sensor sheet on main arm | BL70101000040 | BL70101000040 | BL70101000040 | BL70101000040 |

* means possible broken parts.

** means easy broken part. and spare backup is suggested.

Please confirm the version of manual before placing the purchase order to guarantee that the item number of the spare part is in accordance with the real object.

7.4 Sub-Arm unit (ST1)



Picture 7-4

7.4.1 Parts List

Table 7-9: Parts List

| No. | Name | Part number | | | |
|-----|---|--------------|---------------|--------------|---------------|
| | | ST1-550-1000 | ST1-550-1000D | ST1-700-1400 | ST1-700-1400D |
| 1 | Gripper | - | BH70401200040 | - | BH70401200040 |
| 2 | Up-going buffer block | - | BH70401200040 | - | BH91502700110 |
| 3 | Cylinder holder frame on sub-arm | - | BH70401200040 | - | BH91952400110 |
| 4 | Aluminum profile of sub-arm | - | BH91102500010 | - | BH91502000010 |
| 5 | Linear guide | - | - | - | YW31001562000 |
| 6 | Drag chain connector on sub arm | - | BL70011200020 | - | BL70011200020 |
| 7 | Down baffle on sub ar | - | BL70101240040 | - | BL70101240040 |
| 8 | Drag chain connector unit on sub arm (up /down) 1 | - | - | - | - |
| 9 | Drag chain on sub arm (up/down) | - | - | - | YE60152500000 |
| 10 | Steel cover on sub arm | - | BL70101100020 | - | BL70101100020 |
| 11 | Terminal mounting plate on sub-arm | - | BL70111200040 | - | BL70111200040 |
| 12 | Terminal bottom frame on sub-arm | - | BL70101200040 | - | BL70101200040 |
| 13 | Magnetic valve | - | - | - | - |
| 14 | Cylinders on sub arm (up /down) | - | - | - | YE30257000000 |
| 15 | Pneumatic distribution block on sub-arm | - | BH72550000050 | - | BH72550000050 |
| 16 | Proximity switch | - | - | - | - |
| 17 | Sub arm mounting plate | - | BL71018000040 | - | BL71018000040 |
| 18 | Shock absorber | - | - | - | - |
| 19 | Anti-falling cylinder | - | YE30055000350 | - | YE30055000350 |

* means possible broken parts.

** means easy broken part. and spare backup is suggested.

Please confirm the version of manual before placing the purchase order to guarantee that the item number of the spare part is in accordance with the real object.

Table 7-10: Parts List

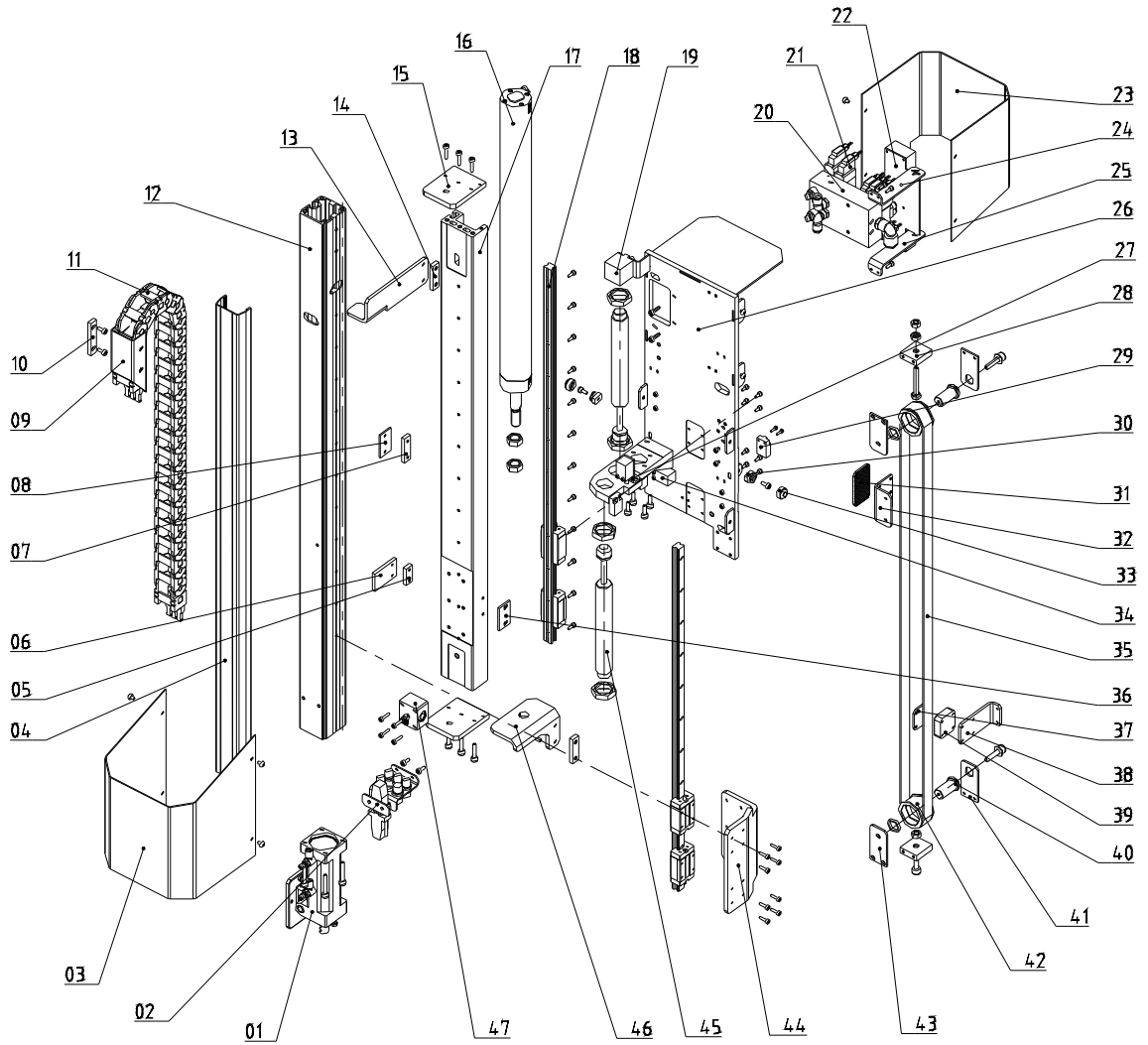
| No. | Name | Part number | | | |
|-----|---|--------------|---------------|---------------|----------------|
| | | ST1-900-1600 | ST1-900-1600D | ST1-1100-1800 | ST1-1100-1800D |
| 1 | Gripper | - | BH70401200040 | - | BH70401200040 |
| 2 | Up-going buffer block | - | BH70401200040 | - | BH91502700110 |
| 3 | Cylinder holder frame on sub-arm | - | BH70401200040 | - | BH70401200040 |
| 4 | Aluminum profile of sub-arm | - | - | - | - |
| 5 | Linear guide | - | - | - | - |
| 6 | Drag chain connector on sub arm | - | BL70011200020 | - | BL70011200020 |
| 7 | Down baffle on sub ar | - | BL70101240040 | - | BL70101240040 |
| 8 | Drag chain connector unit on sub arm (up /down) 1 | - | - | - | - |
| 9 | Drag chain on sub arm (up/down) | - | - | - | - |
| 10 | Steel cover on sub arm | - | BL70101100020 | - | BL70101100020 |
| 11 | Terminal mounting plate on sub-arm | - | BL70111200040 | - | BL70111200040 |
| 12 | Terminal bottom frame on sub-arm | - | BL70101200040 | - | BL70101200040 |
| 13 | Magnetic valve | - | - | - | - |
| 14 | Cylinders on sub arm (up /down) | - | - | - | - |
| 15 | Pneumatic distribution block on sub-arm | - | BH72550000050 | - | BH72550000050 |
| 16 | Proximity switch | - | - | - | - |
| 17 | Sub arm mounting plate | - | BL71018000040 | - | BL71018000040 |
| 18 | Shock absorber | - | - | - | - |
| 19 | Anti-falling cylinder | - | YE30055000350 | - | YE30055000350 |

* means possible broken parts.

** means easy broken part. and spare backup is suggested.

Please confirm the version of manual before placing the purchase order to guarantee that the item number of the spare part is in accordance with the real object.

7.5 Main Arm (ST1-T)



Picture 7-5

7.5.1 Parts List

Table 7-11: Parts List

| No. | Name | Part number | | | |
|-----|--|---------------|----------------|---------------|----------------|
| | | ST1-700-1400T | ST1-700-1400DT | ST1-900-1600T | ST1-900-1600DT |
| 1 | Upturning setup | BH10550900020 | BH10550900020 | BH10550900020 | BH10550900020 |
| 2 | Spare frame for air tube | BH10550900020 | BH10550900020 | BH10550900020 | BL70102600020 |
| 3 | Steel cover of main arm 2 | BL70122000020 | BL70122000020 | BL70122000020 | BL70122000020 |
| 4 | Aluminum cover of main arm | BH13171300010 | BH13171300010 | BH13019130010 | BH13019130010 |
| 5 | Fixing plate | YW09601400110 | YW09601400110 | YW09601400110 | YW09601400110 |
| 6 | Origin sensor plate | BL69363000020 | BL69363000020 | BL69363000020 | BL69363000020 |
| 7 | Sensor fixing plate | YW09601400110 | YW09601400110 | YW09601400110 | YW09601400110 |
| 8 | Stack sensor sheet | BH91502550010 | BH91502550010 | BH91502550010 | BH91502550010 |
| 9 | Drag chain connector parts of main arm 1 | - | - | - | - |
| 10 | Drag chain connector parts of main arm 2 | - | - | - | - |
| 11 | Drag chain on main arm (up/down) | BL70012800020 | BL70012800020 | BL70012800020 | BL70012800020 |
| 12 | Aluminum profile of main arm | BH13170300010 | BH13170300010 | BH13019160010 | BH13019160010 |
| 13 | Down buffer plate 1 of main arm | BL70102400040 | BL70102400040 | BL70102400040 | BL70102400040 |
| 14 | Sensor fixing plate | YW09601400110 | YW09601400110 | YW09601400110 | YW09601400110 |
| 15 | Belt fixing plate 1 | BL70019000020 | BL70019000020 | BL70019000020 | BL70019000020 |
| 16 | Cylinder on main arm (up/down) | - | - | - | - |
| 17 | Aluminum profile of main arm | BH13171400010 | BH13171400010 | BH13019120010 | BH13019120010 |
| 18 | Linear guide | YW31002017000 | YW31002017000 | - | - |
| 19 | Pressure switch with digital display | YE15300102500 | YE15300102500 | YE15300102500 | YE15300102500 |
| 20 | Pneumatic distribution block on main arm | BH72551100050 | BH72551100050 | BH72551100050 | BH72551100050 |
| 21 | Magnetic valve | - | - | - | - |
| 22 | Trunking mounting plate of main arm | BL70160100040 | BL70160100040 | BL70160100040 | BL70160100040 |

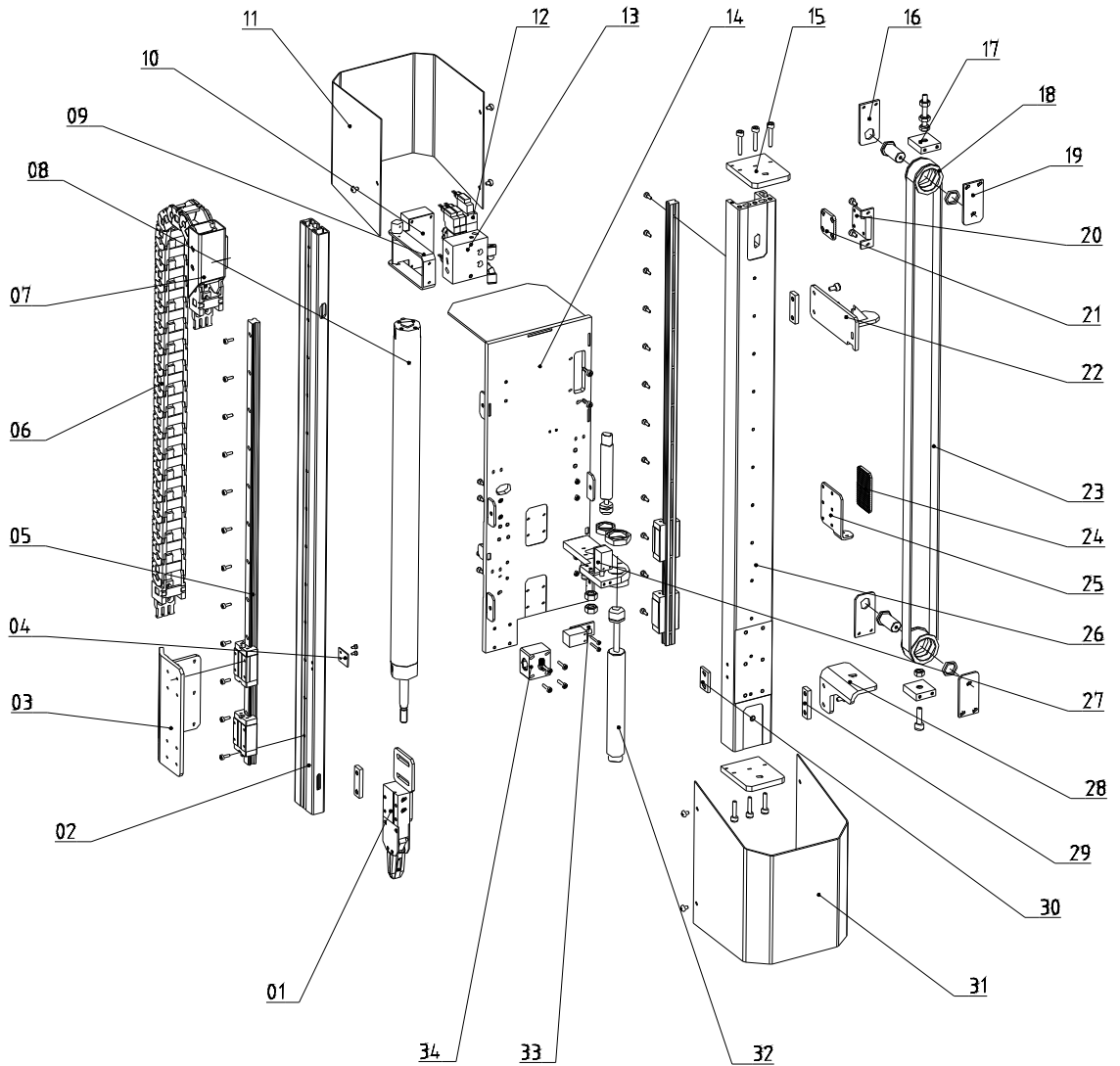
| | | | | | |
|----|---|---------------|---------------|---------------|---------------|
| 23 | Steel cover of main arm 1 | BL70120900020 | BL70120900020 | BL70120900020 | BL70120900020 |
| 24 | Terminal bottom frame 1 | BL70110700040 | BL70110700040 | BL70110700040 | BL70110700040 |
| 25 | Terminal bottom 2 | BL70110800040 | BL70110800040 | BL70110800040 | BL70110800040 |
| 26 | Main arm mounting plate | BL70102900040 | BL70102900040 | BL70102900040 | BL70102900040 |
| 27 | Proximity switch mounting plate | - | - | - | - |
| 28 | Fixing plate of pulley 3 | BL70103600040 | BL70103600040 | BL70103600040 | BL70103600040 |
| 29 | Proximity switch | - | - | - | - |
| 30 | Buffer mounting unit | BH78133000010 | BH78133000010 | BH78133000010 | BH78133000010 |
| 31 | Tooth plate 2 of arm belt | - | - | - | - |
| 32 | Up-going fixing plate 1 of sub arm belt | - | BL72022800020 | - | BL72022800020 |
| 33 | Buffer cap | YW80200000000 | YW80200000000 | YW80200000000 | YW80200000000 |
| 34 | Proximity switch | - | - | - | - |
| 35 | Synchronous belt | - | - | - | - |
| 36 | Stack sensor sheet | BH91502550010 | BH91502550010 | BH91502550010 | BL70112000040 |
| 37 | Tooth plate 1 of arm belt | - | - | - | - |
| 38 | Up-going fixing plate of belt | BL70100500040 | BL70100500040 | BL70100500040 | BL70100500040 |
| 39 | Tooth plate 2 of arm belt | - | - | - | - |
| 40 | Connection shaft of telescopic arm | BH13011210010 | BH13011210010 | BH13011210010 | BH13011210010 |
| 41 | Fixing plate of pulley 1 | BL70001200020 | BL70001200020 | BL70001200020 | BL70001200020 |
| 42 | Pulley on telescopic arm | BH13014130010 | BH13014130010 | BH13014130010 | BH13014130010 |
| 43 | Fixing plate of pulley 2 | BL70102500020 | BL70102500020 | BL70102500020 | BL70102500020 |
| 44 | Linear slides mounting plate 1 | BL70021000040 | BL70021000040 | BL70021000040 | BL70021000040 |
| 45 | Shock absorber | - | - | - | - |
| 46 | Cylinder holder frame of main arm | BL70110500040 | BL70110500040 | BL70110500040 | BL70110500040 |
| 47 | Anti-falling cylinder | YE30055000350 | YE30055000350 | YE30055000350 | YE30055000350 |

* means possible broken parts.

** means easy broken part. and spare backup is suggested.

Please confirm the version of manual before placing the purchase order to guarantee that the item number of the spare part is in accordance with the real object.

7.6 Sub-arm (ST1-T: Telescopic Arm)



Picture 7-6

7.6.1 Parts List

Table 7-12: Parts List

| No. | Name | Part number | | | |
|-----|---|---------------|----------------|---------------|----------------|
| | | ST1-700-1400T | ST1-700-1400DT | ST1-900-1600T | ST1-900-1600DT |
| 1 | Gripper | - | BH70401200040 | - | BH70401200040 |
| 2 | Aluminum profile of sub-arm | - | BH78071430110 | - | BH79901600510 |
| 3 | Linear slides fixing plate 1 | - | BL70021000040 | - | BL70021000040 |
| 4 | Sensor sheet | - | - | - | - |
| 5 | Linear guide | - | YW09601400110 | - | YW09601400110 |
| 6 | Drag chain on sub-arm (up/down) | - | - | - | - |
| 7 | Drag connector 1 on sub-arm | - | - | - | - |
| 8 | Cylinder (up/down) on sub-arm | - | - | - | - |
| 9 | Terminal bottom frame on sub-arm | - | BL70101200040 | - | BL70101200040 |
| 10 | Trunking frame on sub-arm | - | - | - | - |
| 11 | Steel cover 1 of sub arm | - | BL70102100020 | - | BL70102100020 |
| 12 | Magnetic valve | - | - | - | - |
| 13 | Pneumatic distribution block on sub-arm | - | BH72550000050 | - | BH72550000050 |
| 14 | Sub-arm mounting plate | - | BL72002400040 | - | BL72002400040 |
| 15 | Belt fixing plate 1 | - | BL70019000020 | - | BL70019000020 |
| 16 | Pulley fixing plate 1 | - | BL70001200020 | - | BL70001200020 |
| 17 | Pulley fixing plate 3 | - | BL70103600040 | - | BL70103600040 |
| 18 | Pulley on telescopic arm | - | BH13014130010 | - | BH13014130010 |
| 19 | Pulley fixing plate 2 | - | BL70102500020 | - | BL70102500020 |
| 20 | Up-going fixing plate 1 of sub-arm belt | - | BL70010300040 | - | BL70010300040 |

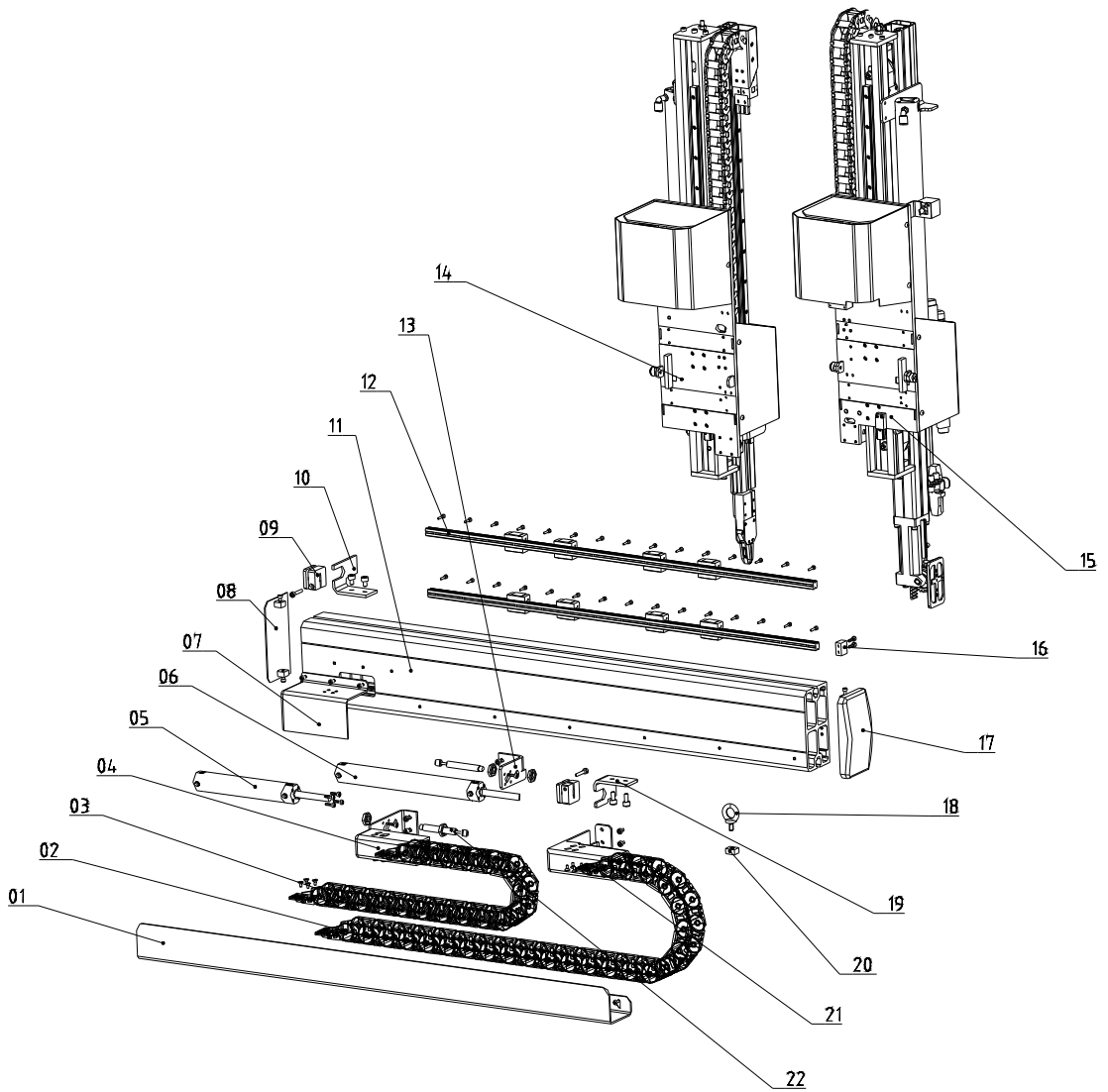
| | | | | | |
|----|--------------------------------------|---|---------------|---|---------------|
| 21 | Tooth plate 2 of Arm belt | - | - | - | - |
| 22 | Tooth plate 2 of Arm belt | - | BL72022700040 | - | BL72022700040 |
| 23 | Synchronous belt | - | - | - | - |
| 24 | Tooth plate 3 of Arm belt | - | BL70210800040 | - | BL70210800040 |
| 25 | Belt fixing plate | - | BL70140400020 | - | BL70140400020 |
| 26 | Aluminum profile of sub-arm | - | BH78714180010 | - | BH79901600410 |
| 27 | Proximity switch | - | - | - | - |
| 28 | Cylinder supporting frame on sub arm | - | BL72201900040 | - | BL72201900040 |
| 29 | Sensor fixing plate | - | YW09601400110 | - | YW09601400110 |
| 30 | Up-going sensor plate of main arm | - | - | - | - |
| 31 | Steel cover 2 of sub arm | - | BL70100100020 | - | BL70100100020 |
| 32 | Shock absorber | - | - | - | - |
| 33 | Mounting plate of proximity switch | - | - | - | - |
| 34 | Anti-falling cylinder | - | YE30055000350 | - | YE30055000350 |

* means possible broken parts.

** means easy broken part. and spare backup is suggested.

Please confirm the version of manual before placing the purchase order to guarantee that the item number of the spare part is in accordance with the real object.

7.7 Vertical (ST1-T: Telescopic Arm)



Picture 7-7

7.7.1 Parts List

Table 7-13: Parts List

| No. | Name | Part number | | | |
|-----|--|---------------|----------------|---------------|----------------|
| | | ST1-700-1400T | ST1-700-1400DT | ST1-900-1600T | ST1-900-1600DT |
| 1 | Drag supporting frame on vertical | BL70550900020 | BL70550900020 | BL70190900020 | BL70190900020 |
| 2 | Drag chain of main arm | - | - | - | - |
| 3 | Vertical drag of sub-arm | BL70150900020 | BL70150900020 | BL70150900020 | BL70150900020 |
| 4 | Vertical drag frame of sub-arm | - | - | - | - |
| 5 | Vertical cylinder of sub-arm | - | - | - | - |
| 6 | Vertical cylinder of main-arm | - | - | - | - |
| 7 | Drag cover of vertical | BL70105000020 | BL70105000020 | BL70105000020 | BL70105000020 |
| 8 | Left cover of vertical arm | BL70107000020 | BL70107000020 | BL70107000020 | BL70107000020 |
| 9 | Piston rod | YW09055000300 | YW09055000300 | YW09055000300 | YW09055000300 |
| 10 | Cylinder holder frame of sub-arm | BL70150900020 | BL70150900020 | BL70150900020 | BL70150900020 |
| 11 | Aluminum profile of vertical | BH91801600010 | BH91801600010 | - | - |
| 12 | Linear guide | - | - | - | - |
| 13 | Fixing frame of vertical cylinder | BL70103000040 | BL70103000040 | BL70103000040 | BL70103000040 |
| 14 | Sub-arm | - | BH78701400110 | - | BH78901600110 |
| 15 | Main arm | BH78701400010 | BH78701400010 | BH78901600010 | BH78901600010 |
| 16 | Limit baffle | BH91202500110 | BH91202500110 | BH91202500110 | BH91202500110 |
| 17 | Right cover of vertical arm | BH91905000010 | BH91905000010 | - | - |
| 18 | Lift ring | BH13014130010 | BH13014130010 | BH13014130010 | BH13014130010 |
| 19 | Vertical cylinder holder frame of main arm | BH91801600010 | BH91801600010 | - | - |

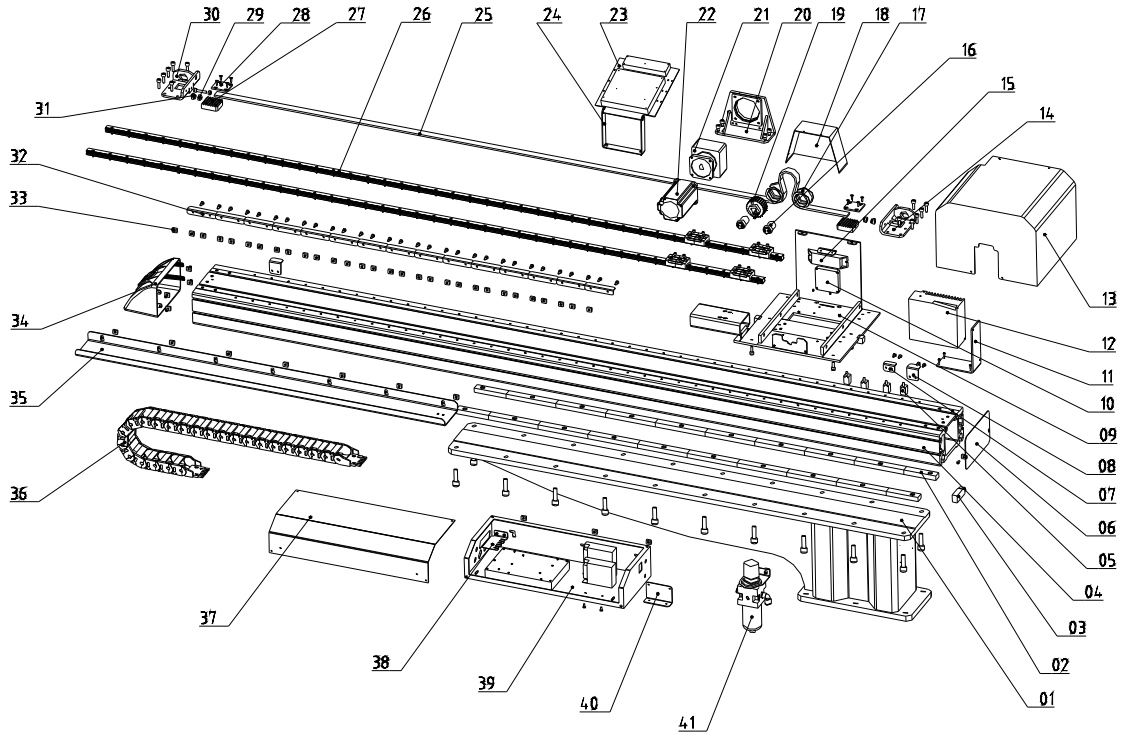
| | | | | | |
|----|---------------------------------|---------------|---------------|---------------|---------------|
| 20 | Fixing block | - | - | - | - |
| 21 | Vertical drag frame of main arm | BH91801600010 | BH91801600010 | BH91801600010 | BH91801600010 |
| 22 | Shock absorber | - | - | - | - |

* means possible broken parts.

** means easy broken part. and spare backup is suggested.

Please confirm the version of manual before placing the purchase order to guarantee that the item number of the spare part is in accordance with the real object.

7.8 Traverse unit (ST1-T: Middle Telescopic Arm)



Picture 7-8

7.8.1 Parts List

Table 7-14: Parts List

| No. | Name | Part number | | | |
|-----|------------------------------------|----------------|-----------------|----------------|----------------|
| | | ST1-1100-1800T | ST1-1100-1800DT | ST1-1300-2000T | ST1-1300-2000T |
| 1 | Base | BW21132000000 | BW21132000000 | BW21132000000 | BW21132000000 |
| 2 | Beams fixed block | - | - | - | - |
| 3 | Pressure switch | - | - | - | - |
| 4 | Beam | BH72111800010 | BH72111800010 | - | - |
| 5 | Proximity switch | - | - | - | - |
| 6 | Beam's end cover | BL70103300020 | BL70103300020 | BL70103300020 | BL70103300020 |
| 7 | Origin sensor plate | BL69363000020 | BL69363000020 | - | - |
| 8 | Limitation sensor plate | BL69363000020 | BL69363000020 | BL69363000020 | BL69363000020 |
| 9 | Sliding base | BL72118000020 | BL72118000020 | BL72118000020 | BL72118000020 |
| 10 | Exhaust fan | YM50801502400 | YM50801502400 | YM50801502400 | YM50801502400 |
| 11 | Driver mounting plate | - | - | - | - |
| 12 | Servo driver | - | - | - | - |
| 13 | Cover of sliding base | BL72105000020 | BL72105000020 | BL72105000020 | BL72105000020 |
| 14 | Belt fixing supporting frame 2 | - | - | - | - |
| 15 | Braking resistor | YE20200450000 | YE20200450000 | YE20200450000 | YE20200450000 |
| 16 | Connection shaft | BH91304800010 | BH78111000010 | BH78111000010 | BH78111000010 |
| 17 | Pulley | BH91030000010 | BH78112000010 | BH78112000010 | BH78112000010 |
| 18 | Cover of motor supporting frame | BL72108200020 | BL72108200020 | BL72108200020 | BL72108200020 |
| 19 | Synchronous pulley | YW08621900000 | - | YW08621900000 | - |
| 20 | Motor supporting frame | BL72109000040 | BL72109000040 | BL72109000040 | BL72109000040 |
| 21 | Speed reducer | - | - | - | - |
| 22 | Servo motor | - | - | - | - |
| 23 | Transverse Terminal mounting plate | BL72103000020 | BL72103000020 | BL72103000020 | BL72103000020 |

| | | | | | |
|----|---|---------------|---------------|---------------|---------------|
| 24 | Transverse terminal bottom supporting frame | BL72104100020 | BL72104100020 | BL72104100020 | BL72104100020 |
| 25 | Synchronous belt | YR00082500100 | YR00082500100 | YR00082500100 | YR00082500100 |
| 26 | Linear guide | YW31002526000 | YW31002526000 | - | - |
| 27 | Belt pressing plate | YW09564900110 | YW09564900110 | YW09564900110 | YW09564900110 |
| 28 | Belt cleat connecting parts | - | - | - | - |
| 29 | Buffer cap | - | - | - | - |
| 30 | Belt fixing frame 1 | - | - | - | - |
| 31 | Buffer | BH91151200010 | BH91151200010 | BH91151200010 | BH91151200010 |
| 32 | Safety mold sensor plate | BL69002200020 | BL69002200020 | BL69002200020 | BL69002200020 |
| 33 | Fixing plate | - | - | - | - |
| 34 | End cover of transverse beam | BH74000100010 | BH74000100010 | BH74000100010 | BH74000100010 |
| 35 | Traverse drag supporting frame | BL72110800020 | BL72110800020 | - | - |
| 36 | Traverse drag | YW06251500000 | YW06251500000 | YW06251500000 | YW06251500000 |
| 37 | Cover of control box | BL72107000020 | BL72107000020 | BL72107000020 | BL72107000020 |
| 38 | Connecting plate of grounded | BL70126000020 | BL70126000020 | BL70126000020 | BL70126000020 |
| 39 | Control box | BL72106000020 | BL72106000020 | BL72106000020 | BL72106000020 |
| 40 | Wave filter fixing plate | - | - | - | - |
| 41 | Filter regulating valve | YE30400015000 | YE30400015000 | YE30400015000 | YE30400015000 |

* means possible broken parts.

** means easy broken part. and spare backup is suggested.

Please confirm the version of manual before placing the purchase order to guarantee that the item number of the spare part is in accordance with the real object.

Table 7-15: Parts List

| No. | Name | Part number | |
|-----|---|----------------|-----------------|
| | | ST1-1500-2200T | ST1-1500-2200DT |
| 1 | Base | BL72182470020 | BL72182470020 |
| 2 | Beams fixed block | - | - |
| 3 | Pressure switch | - | - |
| 4 | Beam | BH72152200010 | BH72152200010 |
| 5 | Proximity switch | - | - |
| 6 | Beam's end cover | BL70103300020 | BL70103300020 |
| 7 | Origin sensor plate | - | - |
| 8 | Limitation sensor plate | BL69363000020 | BL69363000020 |
| 9 | Sliding base | BL72118000020 | BL72118000020 |
| 10 | Exhaust fan | YM50801502400 | YM50801502400 |
| 11 | Driver mounting plate | - | - |
| 12 | Servo driver | - | - |
| 13 | Cover of sliding base | BL72105000020 | BL72105000020 |
| 14 | Belt fixing supporting frame 2 | - | - |
| 15 | Braking resistor | YE20200450000 | YE20200450000 |
| 16 | Connection shaft | BH78111000010 | BH78111000010 |
| 17 | Pulley | BH78112000010 | BH78112000010 |
| 18 | Cover of motor supporting frame | BL72108200020 | BL72108200020 |
| 19 | Synchronous pulley | YW08621900000 | YW08621900000 |
| 20 | Motor supporting frame | BL72109000040 | BL72109000040 |
| 21 | Speed reducer | - | - |
| 22 | Servo motor | - | - |
| 23 | Transverse Terminal mounting plate | BL72103000020 | BL72103000020 |
| 24 | Transverse terminal bottom supporting frame | BL72104100020 | BL72104100020 |
| 25 | Synchronous belt | YR00082500100 | YR00082500100 |
| 26 | Linear guide | - | - |
| 27 | Belt pressing plate | YW09564900110 | YW09564900110 |
| 28 | Belt cleat connecting parts | - | - |

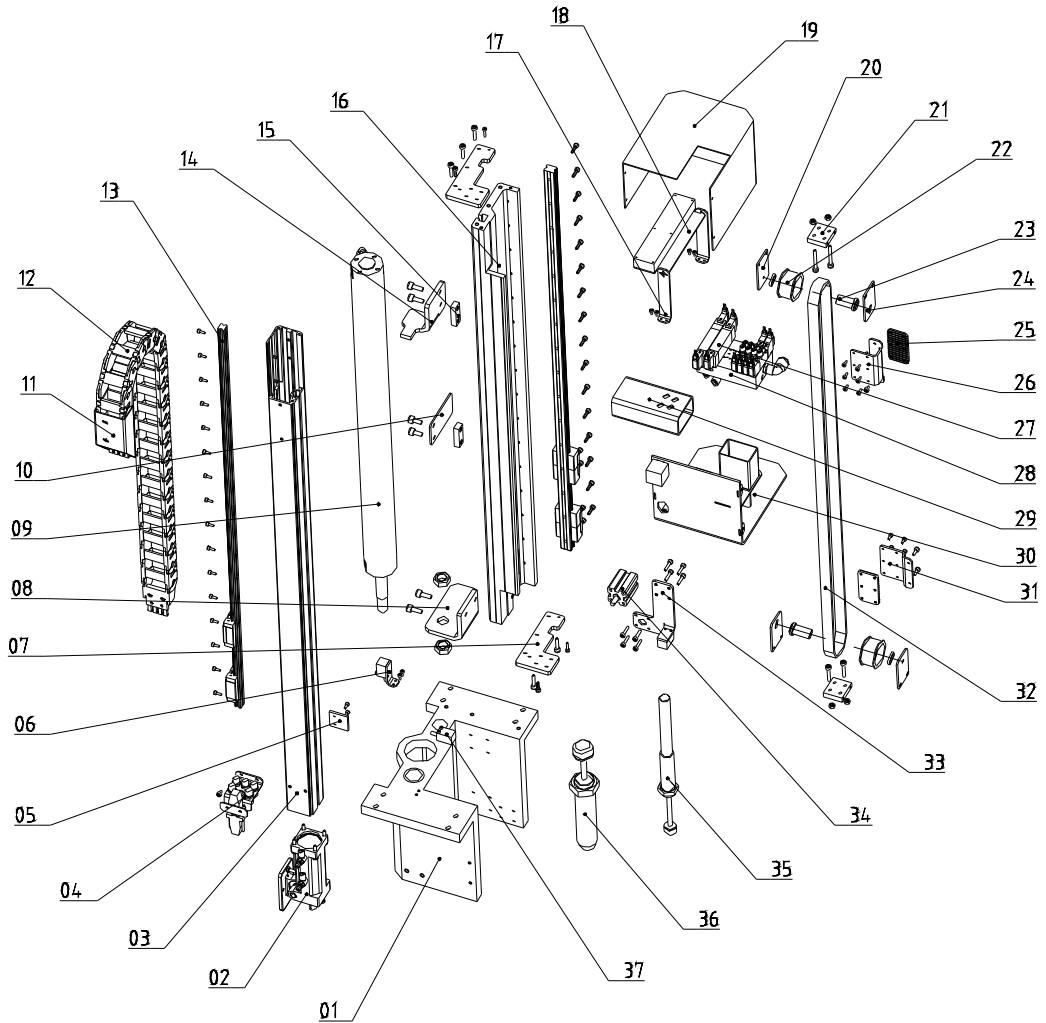
| | | | |
|----|--------------------------------|---------------|---------------|
| 29 | Buffer cap | - | - |
| 30 | Belt fixing frame 1 | BL71010900020 | BL71010900020 |
| 31 | Buffer | BH91151200010 | BH91151200010 |
| 32 | Safety mold sensor plate | BL69002200020 | BL69002200020 |
| 33 | Fixing plate | - | - |
| 34 | End cover of transverse beam | BH74000100010 | BH74000100010 |
| 35 | Traverse drag supporting frame | - | - |
| 36 | Traverse drag | YW06251500000 | YW06251500000 |
| 37 | Cover of control box | BL72107000020 | BL72107000020 |
| 38 | Connecting plate of grounded | BL70126000020 | BL70126000020 |
| 39 | Control box | BL72106000020 | BL72106000020 |
| 40 | Wave filter fixing plate | - | - |
| 41 | Filter regulating valve | YE30400015000 | YE30400015000 |

* means possible broken parts.

** means easy broken part. and spare backup is suggested.

Please confirm the version of manual before placing the purchase order to guarantee that the item number of the spare part is in accordance with the real object.

7.9 Main Arm (ST1-T: Middle Telescopic Arm)



Picture 7-9

7.9.1 Parts List

Table 7-16: Parts List

| No. | Name | Part number | | | |
|-----|---|----------------|-----------------|----------------|----------------|
| | | ST1-1100-1800T | ST1-1100-1800DT | ST1-1300-2000T | ST1-1300-2000T |
| 1 | Main arm mounting frame | BH13000400010 | BH13000400010 | BH13000400010 | BH13000400010 |
| 2 | Rotation unit | BH73000100050 | BH73000100050 | BH73000100050 | BH73000100050 |
| 3 | Aluminum profile of main arm | BH72111801010 | BH72111801010 | - | - |
| 4 | Spare frame for air tube | BL70102600020 | BL70102600020 | BL70102600020 | BL70102600020 |
| 5 | Up-going sensor plate | BL72112000020 | BL72112000020 | BL72112000020 | BL72112000020 |
| 6 | Mounting plate of proximity switch | BL72128000020 | BL72128000020 | BL72128000020 | BL72128000020 |
| 7 | Pulley tightening plate | BL72113000020 | BL72113000020 | BL72113000020 | BL72113000020 |
| 8 | Cylinder holder frame of main arm (up/down) | BL72301600040 | BL72301600040 | BL72301600040 | BL72301600040 |
| 9 | Cylinder on main arm (up/down) | YE31505500000 | YE31505500000 | - | - |
| 10 | Arm belt fixing plate | - | - | - | - |
| 11 | Drag connector of main arm | BL70108000020 | BL70108000020 | BL70108000020 | BL70108000020 |
| 12 | Drag chain on main arm (up/down) | YE60250003100 | YE60250003100 | YE60250003100 | YE60250003100 |
| 13 | Linear guide | YW31008202000 | YW31008202000 | - | - |
| 14 | Arm down-going baffle | BL72112000040 | BL72112000040 | - | - |
| 15 | Sensor fixing plate | YW09601400110 | YW09601400110 | YW09601400110 | YW09601400110 |
| 16 | Aluminum profile of main arm | BH72111803010 | BH72111803010 | - | - |
| 17 | Terminal bottom frame on main arm | - | - | - | - |
| 18 | Terminal mounting plate of main arm | - | - | - | - |
| 19 | Steel cover of main arm | BL72111000020 | BL72111000020 | BL72111000020 | BL72111000020 |
| 20 | Pulley fixing plate 2 | BL72110600020 | BL72110600020 | BL72110600020 | BL72110600020 |

| | | | | | |
|----|--|--------------------------------|--------------------------------|--------------------------------|--------------------------------|
| 21 | Pulley fixing plate 3 | BL72300500040 | BL72300500040 | BL72300500040 | BL72300500040 |
| 22 | Pulley on telescopic arm | BH78011000010 | BH78011000010 | BH78011000010 | BH78011000010 |
| 23 | Connecting shaft of telescopic arm | BH78010900010 | BH78010900010 | BH78010900010 | BH78010900010 |
| 24 | Pulley fixing plate 1 of pulley | BL72301700020 | BL72301700020 | BL72301700020 | BL72301700020 |
| 25 | Belt pressing plate | BL72122000040 BL72227000040 | BL72122000040 BL72227000040 | BL72122000040 BL72227000040 | BL72122000040 BL72227000040 |
| 26 | Belt down-going fixing plate on main arm | BL72111900020 | BL72111900020 | BL72111900020 | BL72111900020 |
| 27 | Magnetic valve | - | - | - | - |
| 28 | Pneumatic distribution block on main arm | BH78010100050 | BH78010100050 | BH78010100050 | BH78010100050 |
| 29 | Vertical drag connector on main arm | BL72121000020 | BL72121000020 | BL72121000020 | BL72121000020 |
| 30 | Air tube connection plug on main arm | BL72111700020 | BL72111700020 | BL72111700020 | BL72111700020 |
| 31 | Main arm belt up-going fixing plate | BL72111800020 | BL72111800020 | BL72111800020 | BL72111800020 |
| 32 | Synchronous belt | YR00052000200 | YR00052000200 | YR00052000200 | YR00052000200 |
| 33 | Anti-falling cylinder frame on main arm | BL72122000020 | BL72122000020 | BL72122000020 | BL72122000020 |
| 34 | Anti-falling cylinder | YE30201540000 | YE30201540000 | YE30201540000 | YE30201540000 |
| 35 | Shock absorber 1 | YW10258020000 | YW10258020000 | YW10258020000 | YW10258020000 |
| 36 | Shock absorber 2 | YW80366000000 | YW80366000000 | YW80366000000 | YW80366000000 |
| 37 | Proximity switch | - | - | - | - |

* means possible broken parts.

** means easy broken part. and spare backup is suggested.

Please confirm the version of manual before placing the purchase order to guarantee that the item number of the spare part is in accordance with the real object.

Table 7-17: Parts List

| No. | Name | Part number | |
|-----|---|----------------|-----------------|
| | | ST1-1500-2200T | ST1-1500-2200DT |
| 1 | Main arm mounting frame | BH13000400010 | BH13000400010 |
| 2 | Rotation unit | BH73000100050 | BH73000100050 |
| 3 | Aluminum profile of main arm | - | - |
| 4 | Spare frame for air tube | BL70102600020 | BL70102600020 |
| 5 | Up-going sensor plate | BL72112000020 | BL72112000020 |
| 6 | Mounting plate of proximity switch | BL72128000020 | BL72128000020 |
| 7 | Pulley tightening plate | BL72113000020 | BL72113000020 |
| 8 | Cylinder holder frame of main arm (up/down) | BL72301600040 | BL72301600040 |
| 9 | Cylinder on main arm (up/down) | - | - |
| 10 | Arm belt fixing plate | - | - |
| 11 | Drag connector of main arm | BL70108000020 | BL70108000020 |
| 12 | Drag chain on main arm (up/down) | YE60250003100 | YE60250003100 |
| 13 | Linear guide | - | - |
| 14 | Arm down-going baffler | - | - |
| 15 | Sensor fixing plate | YW09601400110 | YW09601400110 |
| 16 | Aluminum profile of main arm | - | - |
| 17 | Terminal bottom frame on main arm | - | - |
| 18 | Terminal mounting plate of main arm | - | - |
| 19 | Steel cover of main arm | BL72111000020 | BL72111000020 |
| 20 | Pulley fixing plate 2 | BL72110600020 | BL72110600020 |
| 21 | Pulley fixing plate 3 | BL72300500040 | BL72300500040 |
| 22 | Pulley on telescopic arm | BH78011000010 | BH78011000010 |
| 23 | Connecting shaft of telescopic arm | BH78010900010 | BH78010900010 |
| 24 | Pulley fixing plate 1 of pulley | BL72301700020 | BL72301700020 |
| 25 | Belt pressing plate | BL72122000040 | BL72122000040 |
| | | BL72227000040 | BL72227000040 |

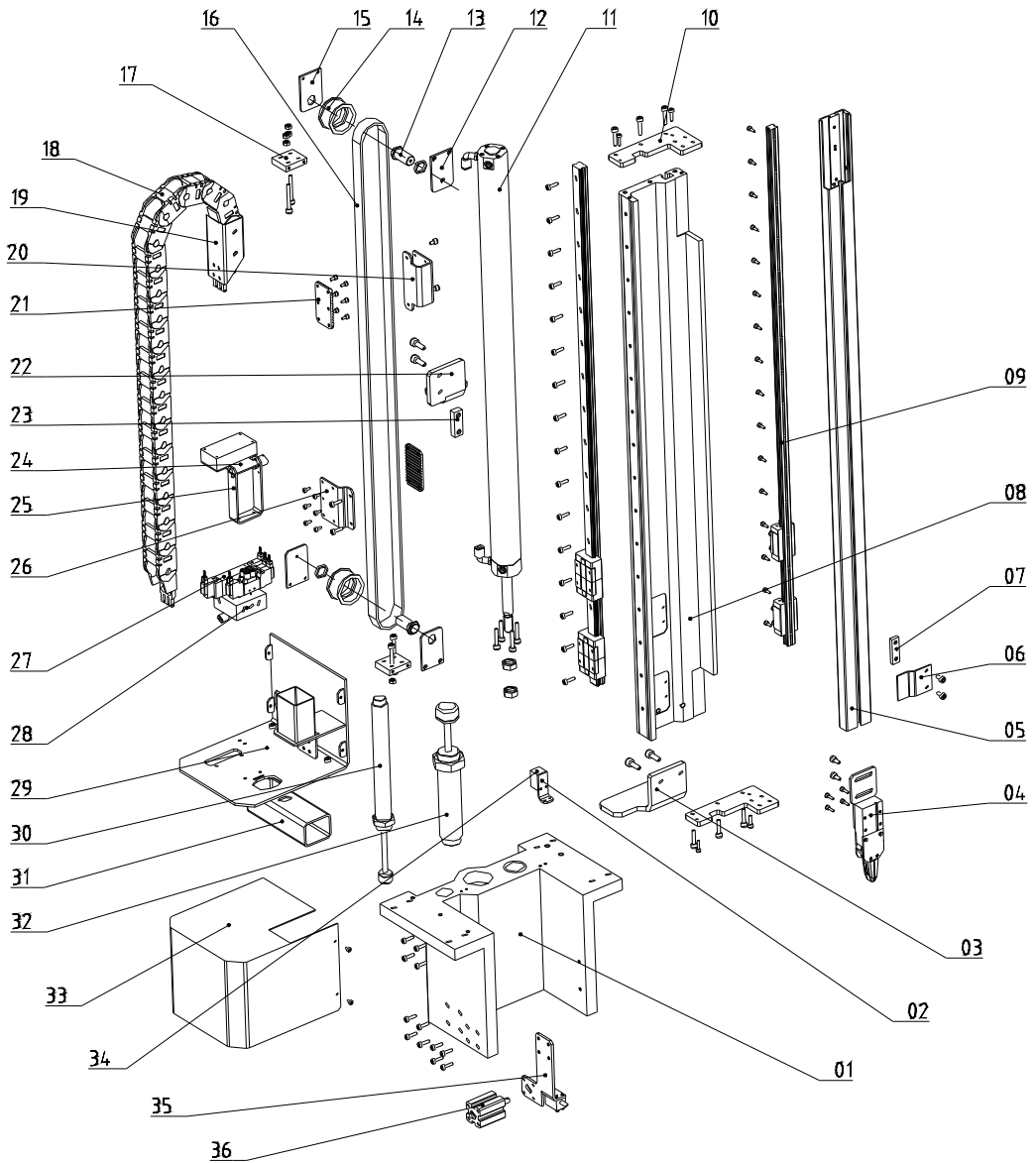
| | | | |
|----|--|---------------|---------------|
| 26 | Belt down-going fixing plate on main arm | BL72111900020 | BL72111900020 |
| 27 | Magnetic valve | - | - |
| 28 | Pneumatic distribution block on main arm | BH78010100050 | BH78010100050 |
| 29 | Vertical drag connector on main arm | BL72121000020 | BL72121000020 |
| 30 | Air tube connection plug on main arm | BL72111700020 | BL72111700020 |
| 31 | Main arm belt up-going fixing plate | BL72111800020 | BL72111800020 |
| 32 | Synchronous belt | YR00052000200 | YR00052000200 |
| 33 | Anti-falling cylinder frame on main arm | BL72122000020 | BL72122000020 |
| 34 | Anti-falling cylinder | YE30201540000 | YE30201540000 |
| 35 | Shock absorber 1 | YW10258020000 | YW10258020000 |
| 36 | Shock absorber 2 | YW80366000000 | YW80366000000 |
| 37 | Proximity switch | - | - |

* means possible broken parts.

** means easy broken part. and spare backup is suggested.

Please confirm the version of manual before placing the purchase order to guarantee that the item number of the spare part is in accordance with the real object.

7.10 Sub-arm (ST1-T: Middle Telescopic Arm)



Picture 7-10

7.10.1 Parts List

Table 7-18: Parts List

| No. | Name | Part number | | | |
|-----|--|----------------|-----------------|----------------|----------------|
| | | ST1-1100-1800T | ST1-1100-1800DT | ST1-1300-2000T | ST1-1300-2000T |
| 1 | Sub-arm mounting plate | - | BH13000303010 | - | BH13000303010 |
| 2 | Fixing plate of proximity switch | - | BL72001120020 | - | BL72001120020 |
| 3 | Cylinder (up/down) holder frame on sub arm | - | BL72100800040 | - | BL72100800040 |
| 4 | Gripper | - | BH70401200040 | - | BH70401200040 |
| 5 | Aluminum profile of sub-arm | - | BH78180020010 | - | BH78180020010 |
| 6 | Stack sensor sheet | - | BL72110500020 | - | BL72110500020 |
| 7 | Sensor fixing plate | - | YW09601400110 | - | YW09601400110 |
| 8 | Connection aluminum profile of sub-arm | - | BH78180100040 | - | - |
| 9 | Linear guide | - | YW31008202000 | - | - |
| 10 | Pulley tightening plate | - | BL72113000020 | - | BL72113000020 |
| 11 | Cylinder (up/down) on sub-arm | - | YE31405750000 | - | - |
| 12 | Pulley fixing plate 2 | - | BL72110600020 | - | BL72110600020 |
| 13 | Connecting shaft of telescopic arm | - | BH78010900010 | - | BH78010900010 |
| 14 | Pulley on telescopic arm | - | BH78011000010 | - | BH78011000010 |
| 15 | Pulley fixing plate 1 | - | BL72301700020 | - | BL72301700020 |
| 16 | Synchronous belt | - | YR00052000200 | - | YR00052000200 |
| 17 | Pulley fixing plate 3 | - | BL72300500040 | - | BL72300500040 |
| 18 | Drag (up/down) on sub arm | - | YE60250005500 | - | YE60250005500 |
| 19 | Drag (up/down) connector on sub arm | - | BL72000900020 | - | BL72000900020 |
| 20 | Belt down-going fixing plate on sub arm | - | - | - | - |

| | | | | | |
|----|---|---|---------------|---|---------------|
| 21 | Belt pressing plate | - | BL72122000040 | - | BL72122000040 |
| 22 | Arm down-going baffler | - | BL72001100040 | - | BL72001100040 |
| 23 | Cylinder fixing plate | - | BH91451600110 | - | BH91451600110 |
| 24 | Terminal mounting plate on sub arm | - | - | - | - |
| 25 | Terminal bottom frame on sub arm | - | - | - | - |
| 26 | Belt up-going fixing plate on sub arm | - | BL72100400020 | - | BL72100400020 |
| 27 | Magnetic valve | - | - | - | - |
| 28 | Pneumatic distribution block on sub arm | - | BH70258300040 | - | BH70258300040 |
| 29 | Air tube connection plug on sub-arm | - | BL72100700020 | - | BL72100700020 |
| 30 | Shock absorber 1 | - | YW10258020000 | - | YW10258020000 |
| 31 | Vertical drag connector on sub arm | - | BL72000900020 | - | BL72000900020 |
| 32 | Shock absorber 2 | - | YW80366000000 | - | YW80366000000 |
| 33 | Steel cover of sub-arm | - | BL72100600020 | - | BL72100600020 |
| 34 | Proximity switch | - | - | - | - |
| 35 | Anti-falling cylinder supporting frame of sub-arm | - | BL72100500020 | - | BL72100500020 |
| 36 | Anti-falling cylinder | - | YE30201540000 | - | YE30201540000 |

* means possible broken parts.

** means easy broken part. and spare backup is suggested.

Please confirm the version of manual before placing the purchase order to guarantee that the item number of the spare part is in accordance with the real object.

Table 7-19: Parts List

| No. | Name | Part number | |
|-----|--|----------------|-----------------|
| | | ST1-1500-2200T | ST1-1500-2200DT |
| 1 | Sub-arm mounting plate | - | BH13000303010 |
| 2 | Fixing plate of proximity switch | - | BL72001120020 |
| 3 | Cylinder (up/down) holder frame on sub arm | - | BL72100800040 |
| 4 | Gripper | - | BH70401200040 |
| 5 | Aluminum profile of sub-arm | - | BH78180020010 |
| 6 | Stack sensor sheet | - | BL72110500020 |
| 7 | Sensor fixing plate | - | YW09601400110 |
| 8 | Connection aluminum profile of sub-arm | - | - |
| 9 | Linear guide | - | - |
| 10 | Pulley tightening plate | - | BL72113000020 |
| 11 | Cylinder (up/down) on sub-arm | - | - |
| 12 | Pulley fixing plate 2 | - | BL72110600020 |
| 13 | Connecting shaft of telescopic arm | - | BH78010900010 |
| 14 | Pulley on telescopic arm | - | BH78011000010 |
| 15 | Pulley fixing plate 1 | - | BL72301700020 |
| 16 | Synchronous belt | - | YR00052000200 |
| 17 | Pulley fixing plate 3 | - | BL72300500040 |
| 18 | Drag (up/down) on sub arm | - | YE60250005500 |
| 19 | Drag (up/down) connector on sub arm | - | BL72000900020 |
| 20 | Belt down-going fixing plate on sub arm | - | - |
| 21 | Belt pressing plate | - | BL72122000040 |
| 22 | Arm down-going baffle | - | BL72001100040 |
| 23 | Cylinder fixing plate | - | BH91451600110 |
| 24 | Terminal mounting plate on sub arm | - | - |
| 25 | Terminal bottom frame on sub arm | - | - |
| 26 | Belt up-going fixing plate on sub arm | - | BL72100400020 |

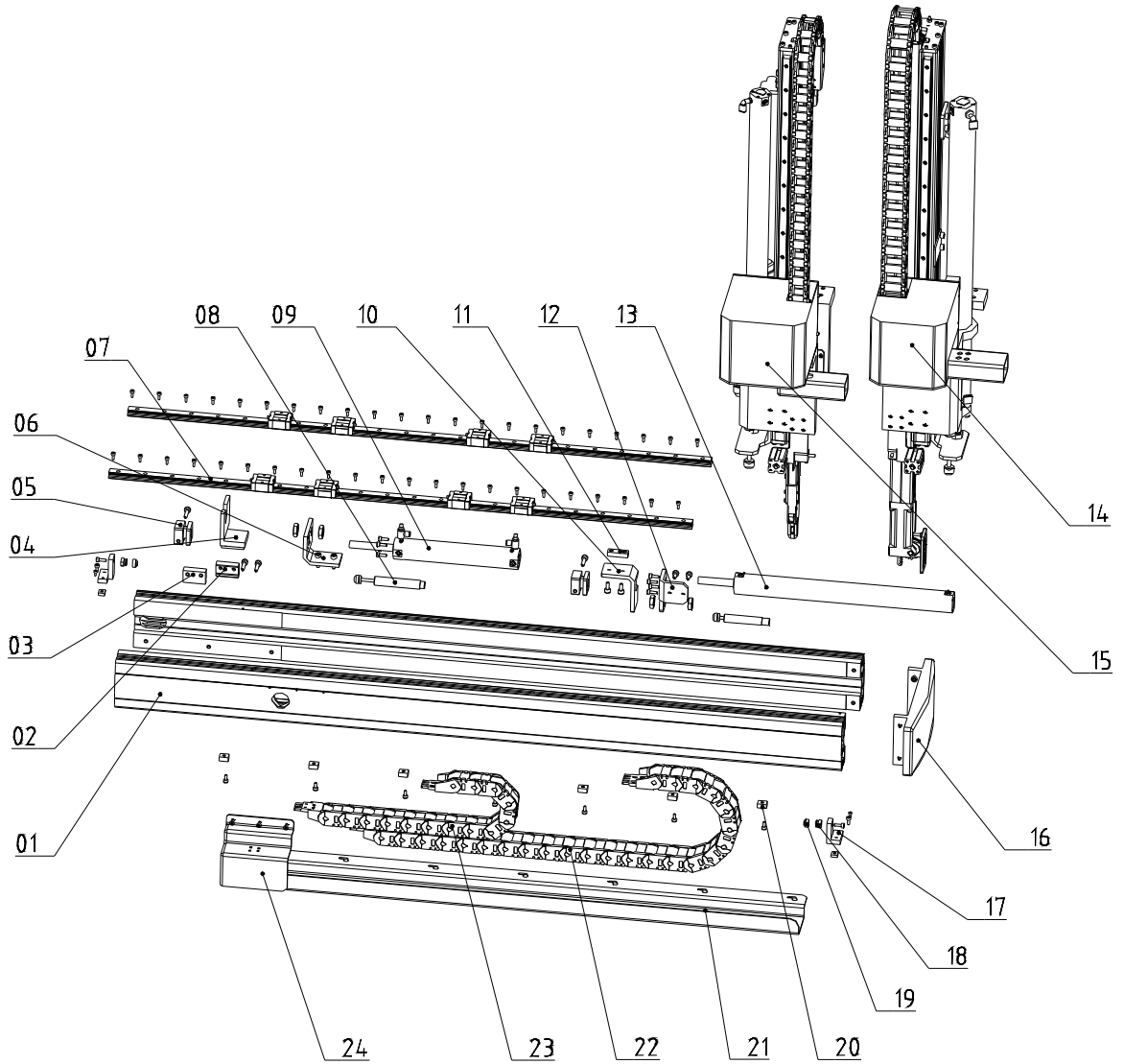
| | | | |
|----|---|---|---------------|
| 27 | Magnetic valve | - | - |
| 28 | Pneumatic distribution block on sub arm | - | BH70258300040 |
| 29 | Air tube connection plug on sub-arm | - | BL72100700020 |
| 30 | Shock absorber 1 | - | YW10258020000 |
| 31 | Vertical drag connector on sub arm | - | BL72000900020 |
| 32 | Shock absorber 2 | - | YW80366000000 |
| 33 | Steel cover of sub-arm | - | BL72100600020 |
| 34 | Proximity switch | - | - |
| 35 | Anti-falling cylinder supporting frame of sub-arm | - | BL72100500020 |
| 36 | Anti-falling cylinder | - | YE30201540000 |

* means possible broken parts.

** means easy broken part. and spare backup is suggested.

Please confirm the version of manual before placing the purchase order to guarantee that the item number of the spare part is in accordance with the real object.

7.11 Crosswise Unit (ST1-T: Middle Telescopic Arm)



Picture 7-11

7.11.1 Parts List

Table 7-20: Parts List

| No. | Name | Part number | | | |
|-----|---|----------------|-----------------|----------------|----------------|
| | | ST1-1100-1800T | ST1-1100-1800DT | ST1-1300-2000T | ST1-1300-2000T |
| 1 | Crosswise beam base | - | - | - | - |
| 2 | Buffer fixing block 6 | BH78511300040 | BH78511300040 | BH78511300040 | BH78511300040 |
| 3 | Buffer fixing block 5 | BH78511200040 | BH78511200040 | BH78511200040 | BH78511200040 |
| 4 | Cylinder holder frame on sub-arm | - | - | - | - |
| 5 | Crosswise cylinder rod clamping device | BH78110000040 | BH78110000040 | BH78110000040 | BH78110000040 |
| 6 | Crosswise cylinder fixing frame on sub-arm | - | BL72104000040 | - | BL72104000040 |
| 7 | Linear guide | - | YW31002011000 | - | - |
| 8 | Shock absorber | - | - | - | - |
| 9 | Crosswise cylinder on sub-arm | - | BL72100800040 | - | BL72100800040 |
| 10 | Crosswise cylinder holder on main arm | - | - | - | - |
| 11 | Sensor fixing sheet | YW09601400110 | YW09601400110 | YW09601400110 | YW09601400110 |
| 12 | Crosswise cylinder fixing frame of main arm | BL72101100040 | BL72101100040 | BL72101100040 | BL72101100040 |
| 13 | Crosswise cylinder on main arm | YE31140108400 | YE31140108400 | YE31140108400 | YE31140108400 |
| 14 | Main arm | BH78111800010 | BH78111800010 | BH78111800010 | BH78111800010 |
| 15 | Sub arm | - | BH78180021010 | - | BH78180021010 |
| 16 | Right cover of Crosswise beam | BH91905000010 | BH91905000010 | BH91905000010 | BH91905000010 |
| 17 | Limitation baffle 3 | - | - | - | - |
| 18 | Buffer installing part | - | - | - | - |

| | | | | | |
|----|---------------------------------|---------------|---------------|---------------|---------------|
| 19 | Buffer cap | - | - | - | - |
| 20 | Crosswise drag mounting plate | - | - | - | - |
| 21 | Crosswise drag supporting frame | - | - | - | - |
| 22 | Crosswise drag on main arm | YE60250003100 | YE60250003100 | YE60250003100 | YE60250003100 |
| 23 | Crosswise drag on sub-arm | - | YE60250005500 | - | YE60250005500 |
| 24 | Cover of Crosswise | BL72101800020 | BL72101800020 | BL72101800020 | BL72101800020 |

* means possible broken parts.

** means easy broken part. and spare backup is suggested.

Please confirm the version of manual before placing the purchase order to guarantee that the item number of the spare part is in accordance with the real object.

Table 7-21: Parts List

| No. | Name | Part number | |
|-----|---|----------------|-----------------|
| | | ST1-1500-2200T | ST1-1500-2200DT |
| 1 | Crosswise beam base | - | - |
| 2 | Buffer fixing block 6 | BH78511300040 | BH78511300040 |
| 3 | Buffer fixing block 5 | BH78511200040 | BH78511200040 |
| 4 | Cylinder holder frame on sub-arm | - | - |
| 5 | Crosswise cylinder rod clamping device | BH78110000040 | BH78110000040 |
| 6 | Crosswise cylinder fixing frame on sub-arm | - | BL72104000040 |
| 7 | Linear guide | - | - |
| 8 | Shock absorber | - | - |
| 9 | Crosswise cylinder on sub-arm | - | BL72100800040 |
| 10 | Crosswise cylinder holder on main arm | - | - |
| 11 | Sensor fixing sheet | YW09601400110 | YW09601400110 |
| 12 | Crosswise cylinder fixing frame of main arm | BL72101100040 | BL72101100040 |
| 13 | Crosswise cylinder on main arm | YE31140108400 | YE31140108400 |
| 14 | Main arm | BH78111800010 | BH78111800010 |
| 15 | Sub arm | - | BH78180021010 |
| 16 | Right cover of Crosswise beam | BH91905000010 | BH91905000010 |
| 17 | Limitation baffler 3 | - | - |
| 18 | Buffer installing part | - | - |
| 19 | Buffer cap | - | - |
| 20 | Crosswise drag mounting plate | - | - |
| 21 | Crosswise drag supporting frame | - | - |
| 22 | Crosswise drag on main arm | YE60250003100 | YE60250003100 |
| 23 | Crosswise drag on sub-arm | - | YE60250005500 |
| 24 | Cover of Crosswise | BL72101800020 | BL72101800020 |

* means possible broken parts.

** means easy broken part. and spare backup is suggested.

Please confirm the version of manual before placing the purchase order to guarantee that the item number of the spare part is in accordance with the real object.