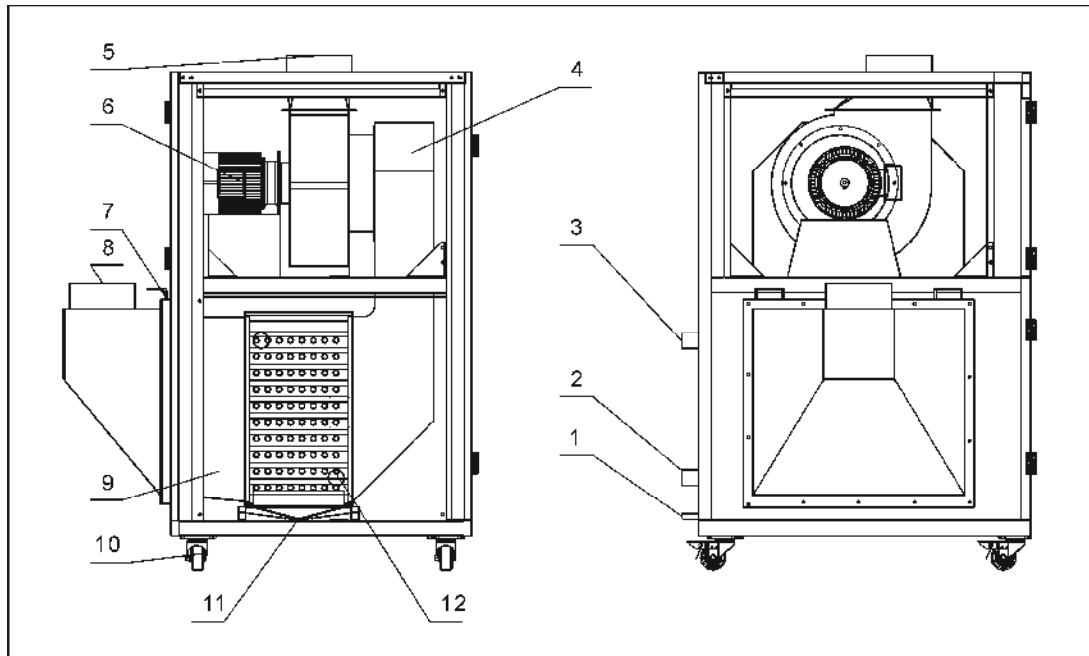


## 2.2 Drawing and Parts List

### 2.2.1 System Structure

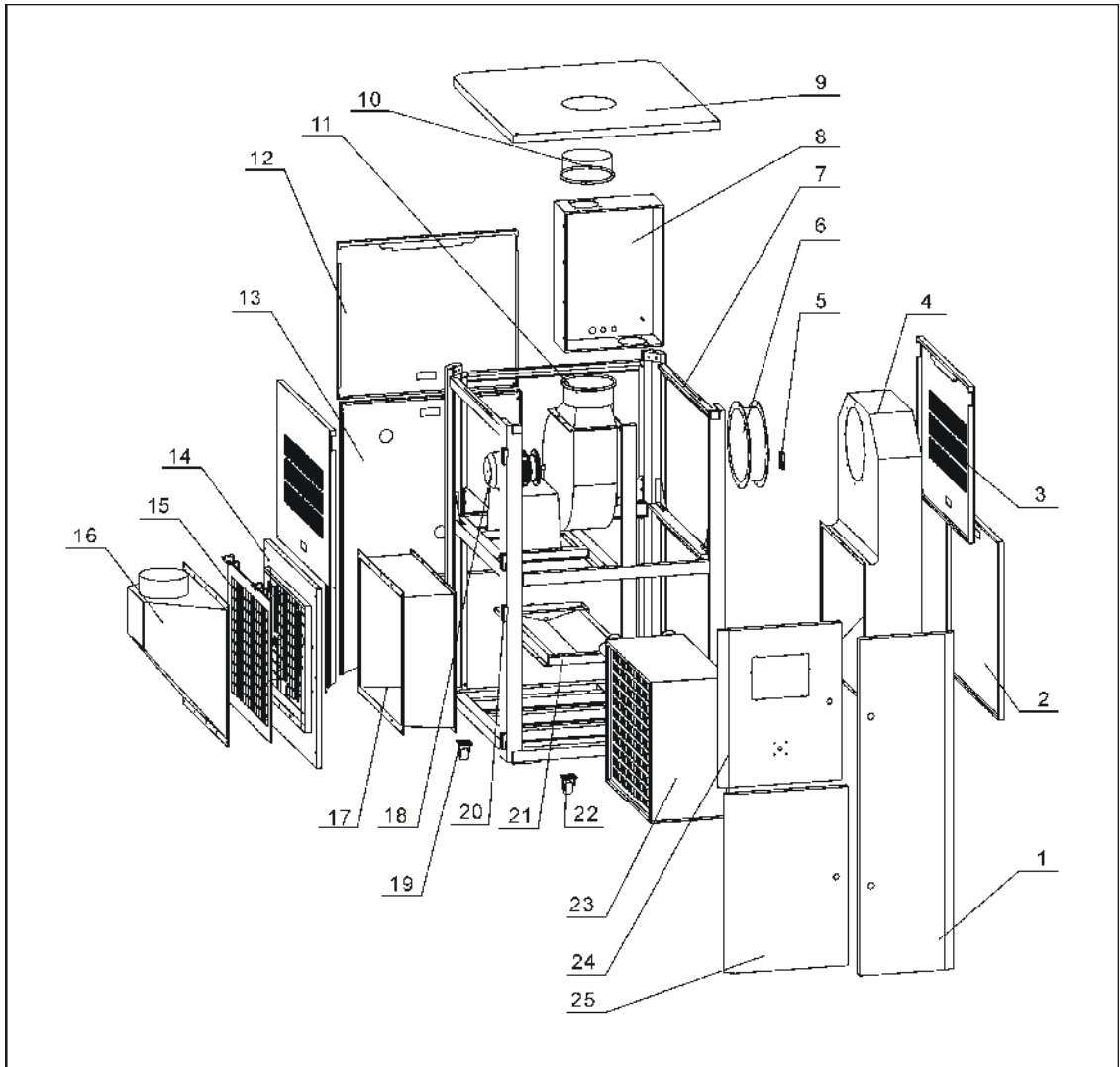


Parts Name:

- |                                       |                        |                         |
|---------------------------------------|------------------------|-------------------------|
| 1. Drainage outlet of dew channel     | 2. Cooling water inlet | 3. Cooling water outlet |
| 4. Air collecting cover               | 5. Air outlet          | 6. Centrifugal blower   |
| 7. Filter                             | 8. Return air cover    |                         |
| 9. Air-in connector of heat exchanger |                        | 10. Castor              |
| 11. Dew channel                       | 12. Heat exchanger     |                         |

Picture 2-2: SACC Structure

## 2.2.2 Assembly Drawing



Remarks: Please refer to material list 2.2.3 for specific explanation of Arabic numbers in parts drawing.

Picture 2-3: Assembly Drawing

## 2.2.3 Parts List

Table 2-1: Parts List

| No. | Name                     | Part No.      |               |               |               |
|-----|--------------------------|---------------|---------------|---------------|---------------|
|     |                          | SACC-1000     | SACC-2000     | SACC-3000     | SACC-4000     |
| 1   | Front right door plate   | -             | -             | -             | -             |
| 2   | Lower right door plate   | -             | -             | -             | -             |
| 3   | Upside door plate        | -             | -             | -             | -             |
| 4   | Air collecting cover     | -             | -             | -             | -             |
| 5   | Hinge right              | YW06203100200 | YW06203100200 | YW06203100200 | YW06203100200 |
| 6   | Blower air-in flange     | -             | -             | -             | -             |
| 7   | Stand assembly           | -             | -             | -             | -             |
| 8   | Control cabinet          | -             | -             | -             | -             |
| 9   | Top plate                | -             | -             | -             | -             |
| 10  | Air outlet adapter       | -             | -             | -             | -             |
| 11  | Air outlet pipe          | -             | -             | -             | -             |
| 12  | Upper back door plate    | -             | -             | -             | -             |
| 13  | Lower back door plate    | -             | -             | -             | -             |
| 14  | Lower left door plate    | -             | -             | -             | -             |
| 15  | Filter                   | -             | -             | -             | -             |
| 16  | Air collecting cover     | -             | -             | -             | -             |
| 17  | Heat exchanger connector | -             | -             | -             | -             |
| 18  | Blower                   | -             | -             | -             | -             |
| 19  | Castor                   | YW03000400000 | YW03000400000 | YW03000400000 | YW03000400000 |
| 20  | Hinge left               | YW06203100400 | YW06203100400 | YW06203100400 | YW06203100400 |
| 21  | Dew channel              | -             | -             | -             | -             |
| 22  | Castor                   | YW03000400200 | YW03000400200 | YW03000400200 | YW03000400200 |
| 23  | Heat exchanger           | -             | -             | -             | -             |
| 24  | Front upper door plate   | -             | -             | -             | -             |
| 25  | Front lower door plate   | -             | -             | -             | -             |

\* means possible broken parts.

\*\* means easy broken part. and spare backup is suggested.

Please confirm the version of manual before placing the purchase order to guarantee that the item number of the spare part is in accordance with the real object.