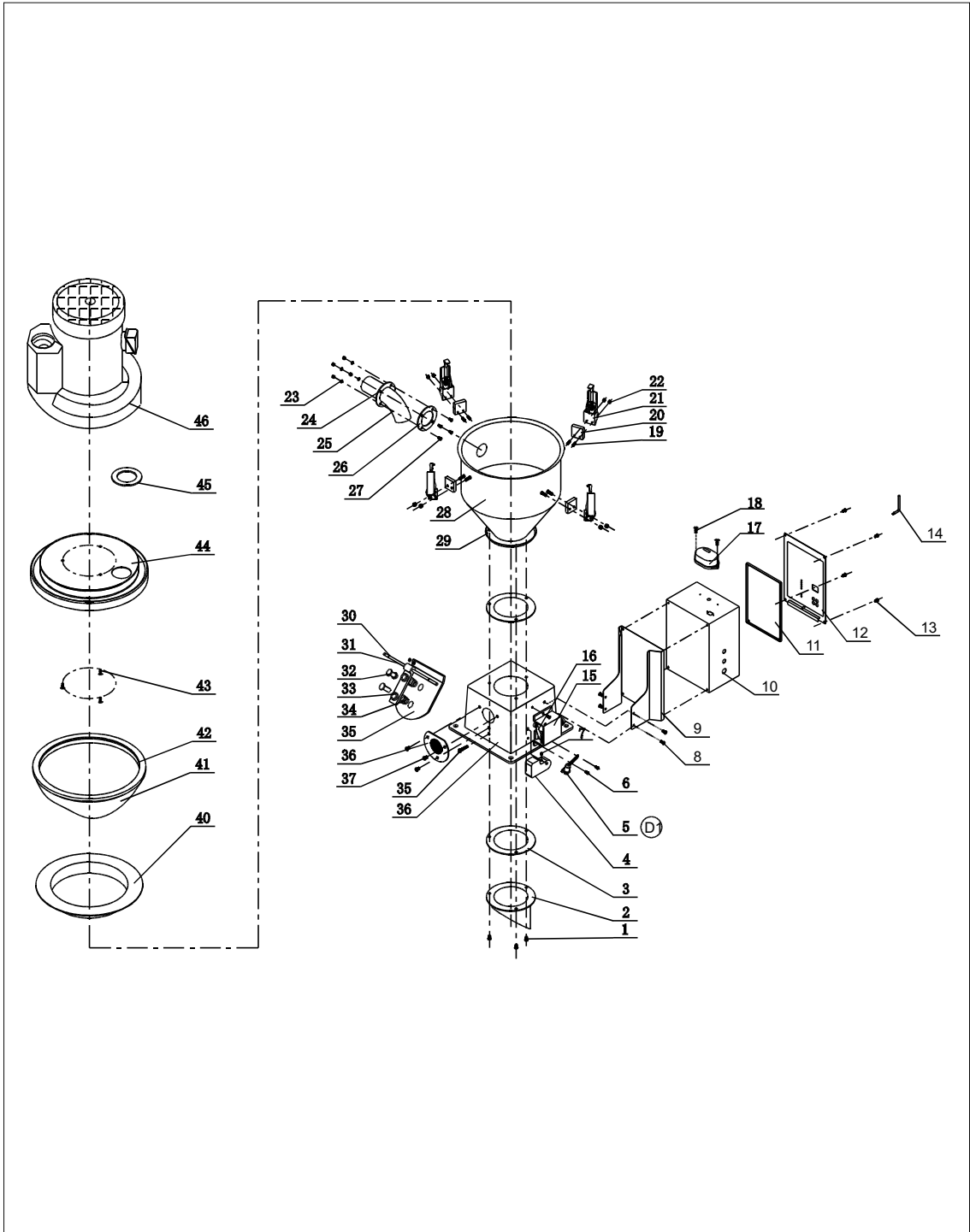


8.2 Assembly Drawing of SAL-430

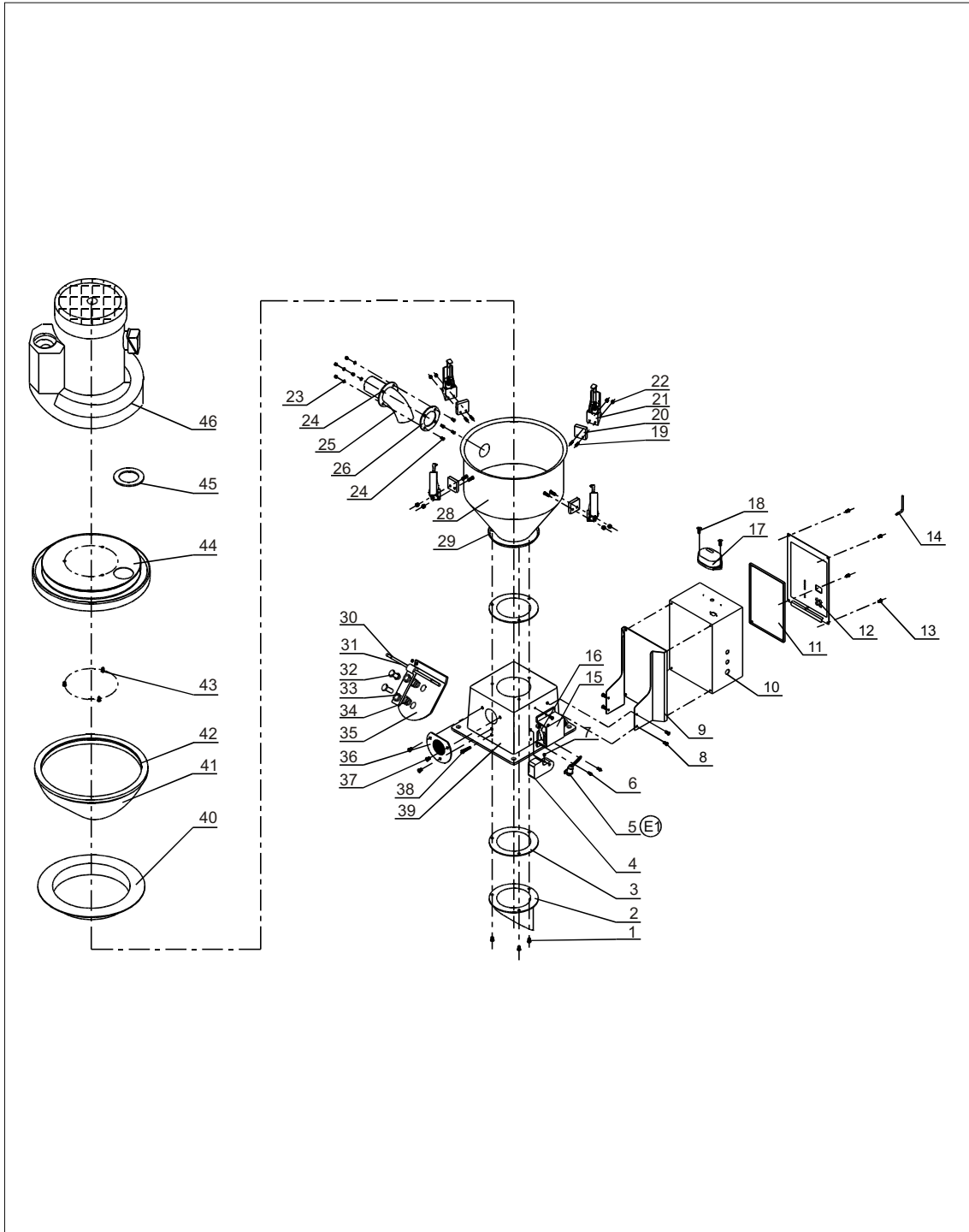


### 8.3 Parts List of SAL-430

| No. | Parts Name                              | Part No.      | No. | Parts Name                          | Part No.      |
|-----|---|---------------|-----|-------------------------------------|---------------|
| 1   | Cross socket head cap screw M5 × 15     | YW62051500000 | 24  | Fixed piece of material inlet pipe  | -             |
| 2   | Grit hole**                             | -             | 25  | Material inlet pipe                 | -             |
| 3   | Base fastener                           | YR10046000000 | 26  | Material inlet pipe fastener        | -             |
| 4   | Counter weight hammer                   | -             | 27  | Welding stub bolt M4 × 10           | YW69041000000 |
| 5   | Ejector rob                             | -             | 28  | Material storage tank               | -             |
| 6   | Cross socket head cap screw M4 × 10     | YW63041000000 | 29  | Hopper flange                       | -             |
| 7   | Set screw M5 × 5                        | YW68005500000 | 30  | E-rings 5                           | YW66000600000 |
| 8   | Cross socket head cap screw M5 × 10     | YW62051000100 | 31  | Stainless steel rod                 | -             |
| 9   | Fixed board of control box              | -             | 32  | Discharging plate rivet             | -             |
| 10  | Control box                             | -             | 33  | Aluminum accessories                | -             |
| 11  | Electrical component installation plate | -             | 34  | Discharging plate spring            | YW01033000000 |
| 12  | Electrical control box cover            | -             | 35  | Discharging plate                   | -             |
| 13  | Hex anti-theft screw                    | YW61051080000 | 36  | Air vent window                     | YR40002400000 |
| 14  | Special spanner for anti-theft screw    | JT40450000000 | 37  | Cross socket head cap screw M6 × 10 | YW62061000000 |
| 15  | Microswitch box                         | YR40000600600 | 38  | Cross socket head cap screw M6 × 35 | YW63063500000 |
| 16  | Microswitch*                            | YE14511200000 | 39  | Square base                         | -             |
| 17  | Alarm light                             | YE83305100200 | 40  | Split washer of filter cloth*       | -             |
| 18  | Cross socket head cap screw M3 × 10     | YW63031500000 | 41  | Filter bag*                         | -             |
| 19  | Welding stub bolt M4 × 15               | YW69041500100 | 42  | Hopper fastener*                    | -             |
| 20  | Snap hook pressure block                | YR40000600300 | 43  | Cross socket head cap screw M6 × 15 | YW62061500000 |
| 21  | Snap hook                               | YW02003000400 | 44  | Hopper lid                          | -             |
| 22  | Locknut M4 × 0.7                        | YW64040700100 | 45  | Sponge rubber ring                  | YR10040000000 |
| 23  | Flat gasket 4                           | YW66040800000 | 46  | Blower                              | BM30020500150 |

\* means possible broken parts. \*\* means easy broken part. and spare backup is suggested.

8.4 Assembly Drawing of SAL-460



### 8.5 Parts List of SAL-460

| No. | Parts Name                              | Part No.      | No. | Parts Name                          | Part No.      |
|-----|---|---------------|-----|-------------------------------------|---------------|
| 1   | Cross socket head cap screw M5 × 15     | YW62051500000 | 24  | Fixed piece of material inlet pipe  | -             |
| 2   | Grit hole**                             | -             | 25  | Material inlet pipe                 | -             |
| 3   | Base fastener                           | YR10046000000 | 26  | Material inlet pipe fastener        | -             |
| 4   | Counter weight hammer                   | -             | 27  | Welding stub bolt M4 × 10           | YW69041000000 |
| 5   | Ejector rob                             | -             | 28  | Material storage tank               | -             |
| 6   | Cross socket head cap screw M4 × 10     | YW63041000000 | 29  | Hopper flange                       | -             |
| 7   | Set screw M5 × 5                        | YW68005500000 | 30  | E-rings 5                           | YW66000600000 |
| 8   | Cross socket head cap screw M5 × 10     | YW62051000100 | 31  | Stainless steel rod                 | -             |
| 9   | Fixed board of control box              | -             | 32  | Discharging plate rivet             | -             |
| 10  | Control box                             | -             | 33  | Aluminum accessories                | -             |
| 11  | Electrical component installation plate | -             | 34  | Discharging plate spring            | YW01033000000 |
| 12  | Electrical control box cover            | -             | 35  | Discharging plate                   | -             |
| 13  | Hex anti-theft screw                    | YW61051080000 | 36  | Air vent window                     | YR40002400000 |
| 14  | Special spanner for anti-theft screw    | JT40450000000 | 37  | Cross socket head cap screw M6 × 10 | YW62061000000 |
| 15  | Microswitch box                         | YR40000600600 | 38  | Cross socket head cap screw M6 × 35 | YW63063500000 |
| 16  | Microswitch*                            | YE14511200000 | 39  | Square base                         | -             |
| 17  | Alarm light                             | YE83305100200 | 40  | Split washer of filter cloth*       | -             |
| 18  | Cross socket head cap screw M3 × 10     | YW63031500000 | 41  | Filter bag*                         | -             |
| 19  | Welding stub bolt M4 × 15               | YW69041500100 | 42  | Hopper fastener*                    | -             |
| 20  | Snap hook pressure block                | YR40000600300 | 43  | Cross socket head cap screw M6 × 15 | YW62061500000 |
| 21  | Snap hook                               | YW02003000400 | 44  | Hopper lid                          | -             |
| 22  | Locknut M4 × 0.7                        | YW64040700100 | 45  | Sponge rubber ring                  | YR10040000000 |
| 23  | Flat gasket 4                           | YW66040800000 | 46  | Blower                              | BM30020500150 |

\* means possible broken parts. \*\* means easy broken part. and spare backup is suggested.