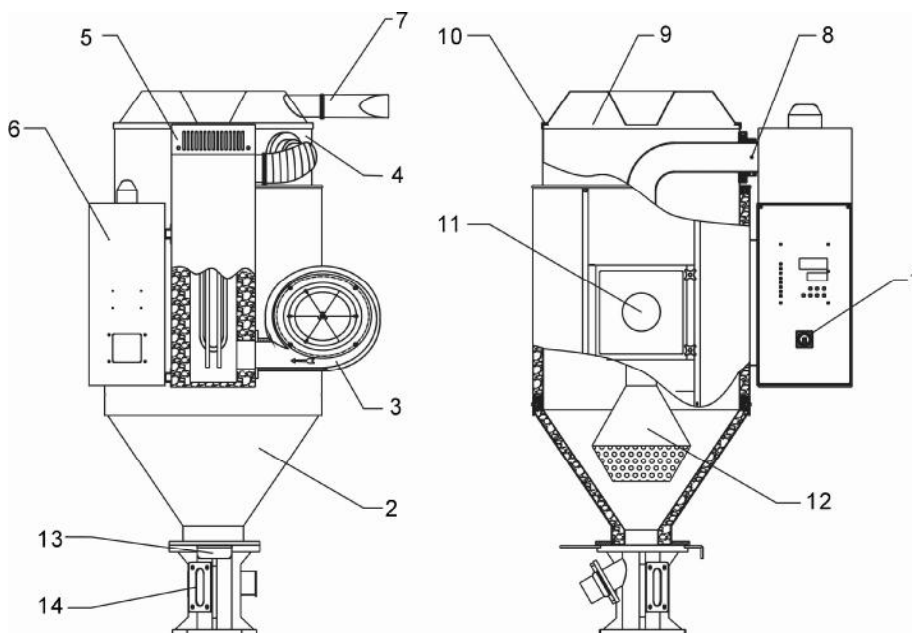


## 2.2 Drawing and Parts List

### 2.2.1 Structural Drawing (SHD-20U~750U)

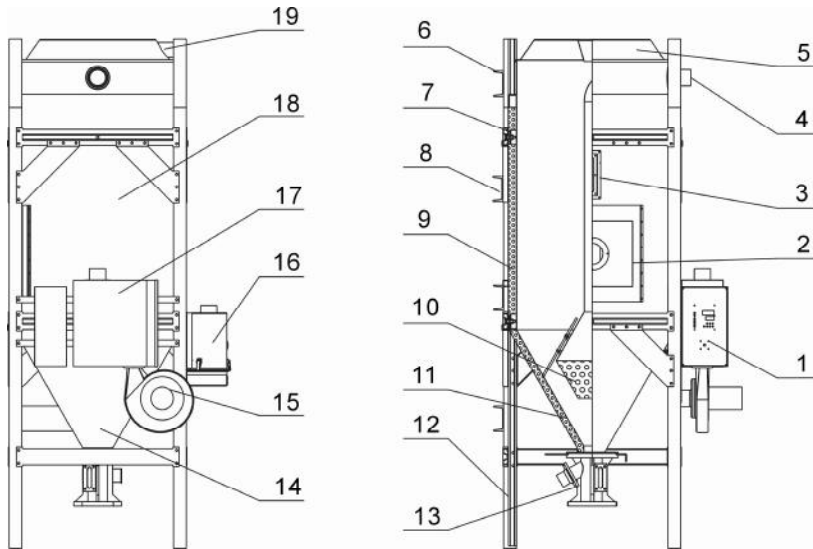


#### Names of Parts:

- |                         |                        |                        |                          |
|-------------------------|------------------------|------------------------|--------------------------|
| 1. Main switch          | 2. Insulated layer     | 3. Blower              | 4. Material storage tank |
| 5. Electric heating box | 6. Control box         | 7. Filter cloth bag    | 8. Overheat protector    |
| 9. Lid                  | 10. Top cover fastener | 11. Sight-glass window | 12. Down-blowing pipe    |
| 13. Shut-off plate      | 14. Standard base      |                        |                          |

Picture 2-2: Structural Drawing (SHD-20U~750U)

## 2.2.2 Structural Drawing (SHD-900U~1200U)

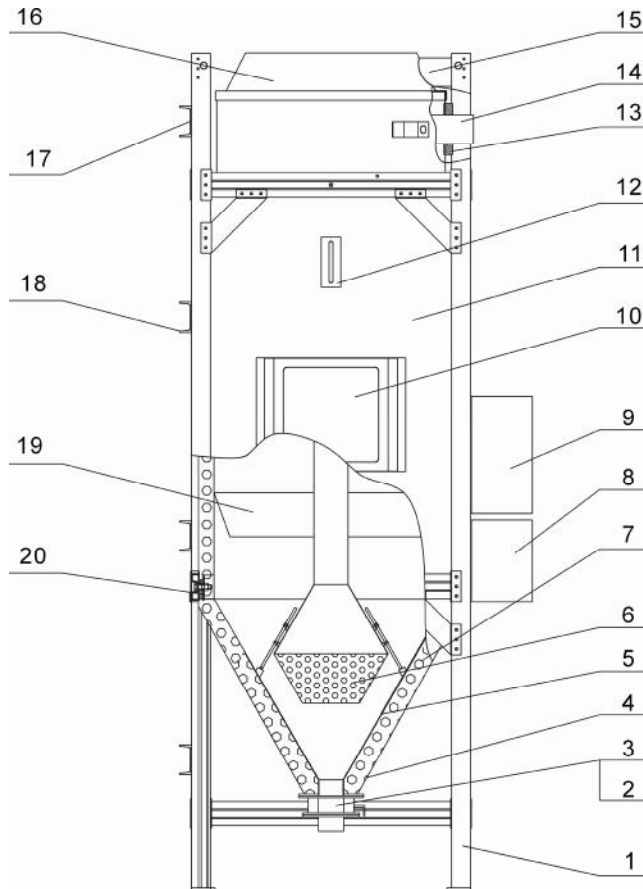


### Names of Parts:

- |   |                               |                            |
|---|-------------------------------|----------------------------|
| 1. Control box                              | 2. Clearance door             | 3. Sight-glass window      |
| 4. Down-blowing air outlet flange           | 5. Lid                        | 6. Packaging sustain block |
| 7. Reinforcement welded block of foot stand | 8. Forklift beam              | 9. Heat-insulated cotton   |
| 10. Down-blowing air bell mouth             | 11. Internal hopper           | 12. Floor stand            |
| 13. Magnetic base                           | 14. Encircling aluminum plate | 15. Blower                 |
| 16. Hot air recycler                        | 17. Heating case              | 18. Material storage tank  |
| 19. Air outlet                              |                               |                            |

Picture 2-3: Structural Drawing (SHD-900U~1200U)

### 2.2.3 Structural Drawing (SHD-1500U~8000U)

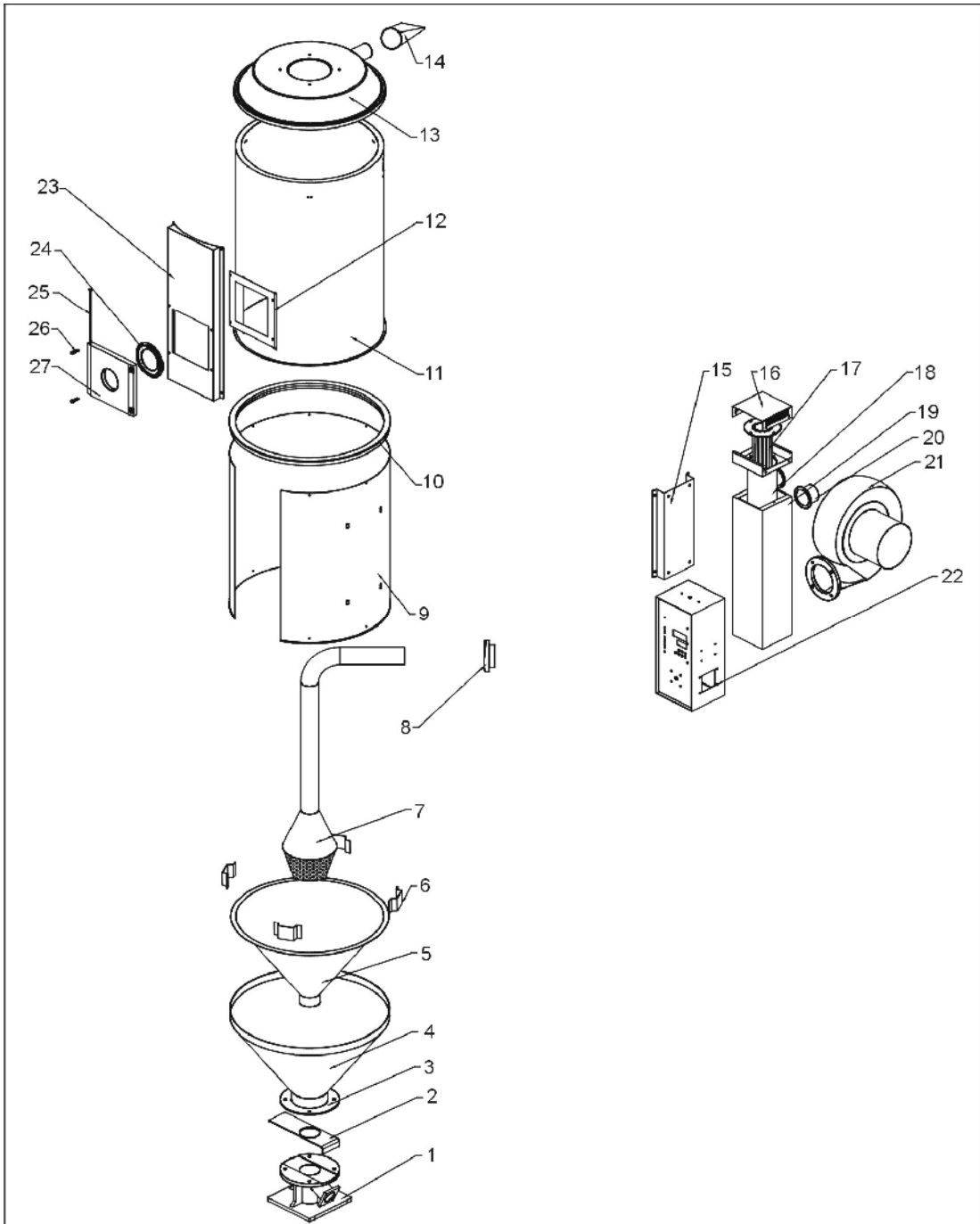


**Names of Parts:**

- |  |                                |  |
|--|--------------------------------|--|
| 1. Floor stand                                     | 2. Manual butterfly valve      | 3. Dropping material receive plate           |
| 4. Pattern aluminum plate                          | 5. Inner welding material tank | 6. Down-blowing air bell mouth               |
| 7. Heat-insulated cotton                           | 8. Electrical control box      | 9. Heating case                              |
| 10. Sight-glass window                             | 11. Material storage tank      | 12. Sight-glass window                       |
| 13. Aluminum fixing block of down-blowing air pipe | 14. Down-blowing air pipe      |  |
| 15. Air outlet                                     | 16. Lid                        | 17. Packaging sustain block                  |
| 18. Forklift beam                                  | 19. Material guide plate       | 20. Reinforcement welded block of foot stand |

Picture 2-4: Structural Drawing (SHD-1500U~8000U)

## 2.2.4 Assembly Drawing (SHD-20U~750U)



Remarks: Please refer to material list 2.2.4 for specific explanation of the Arabic numbers in parts drawing.

Picture 2-5: Assembly Drawing (SHD-20U~750U)

## 2.2.5 Parts List (SHD-20U~750U)

Table 2-1: Parts List (SHD-20U~80U)

No.	Name	Part No.		
		SHD-20U	SHD-40U	SHD-80U
1	Standard base	BY10020000550	BY10040000050	BY10040000050
2	Shut-off valve	YW07001200000	YW09255000000	YW09255000000
3	Hopper flange	-	-	-
4	Outer hopper	-	-	-
5	Inner hopper	-	-	-
6	Hopper bottom ring	-	-	-
7	Down-blowing pipe	-	-	-
8	Fixed block for down-blowing pipe	BW21020400210	BW21020400010	BW21081200010
9	Heat preservation cover	-	-	-
10	Hopper upper ring	BW21081210010	YA30004000000	BA30801200110
11	Hopper	-	-	-
12	Sight glass frame	-	-	-
13	Hopper top cover	BL02002000020	BL02004000020	BL02801200020
14	Filtering bag	BP82482000044	BP82482000044	BP82602000044
15	Heating box retainer	-	-	-
16	Heating box cap	-	-	-
17	Pipe heater*	BH70202200050	BH70400300350	BH70803900250
18	Hot air pipe	-	-	-
19	Outer cover of heating box	-	-	-
20	Flange	-	-	-
21	Blower*	BM40001500200	BM40002500350	BM40003000250
22	Control box	BH31002000250	BH31004000150	BH31008000350
23	Outer sight glass frame	-	-	-
24	Flange	-	-	-
25	Pin	-	-	-
26	Fastening screw	-	-	-
27	Sight-glass window	-	-	-

\* means possible broken parts.

\*\* means easy broken part. and spare backup is suggested.

Please confirm the version of manual before placing the purchase order to guarantee that the item number of the spare part is in accordance with the real object.

Table 2-2: Parts List (SHD-120U~230U)

No.	Name	Part No.		
		SHD-120U	SHD-160U	SHD-230U
1	Standard base	BY10040000050	BY10300000050	BY10300000050
2	Shut-off valve	YW09255000000	YW09102000000	YW09102000000
3	Hopper flange	-	-	-
4	Outer hopper	-	-	-
5	Inner hopper	-	-	-
6	Hopper bottom ring	-	-	-
7	Down-blowing pipe	-	-	-
8	Fixed block for down-blowing pipe	BW21081200010	BW21164500010	BW21164500010
9	Heat preservation cover	-	-	-
10	Hopper upper ring	BA30801200110	BA30162300110	BA30162300110
11	Hopper	-	-	-
12	Sight glass frame	-	-	-
13	Hopper top cover	BL02801200020	BL02016000020	BL02016000020
14	Filtering bag	BP82602000044	BP82734000044	BP82734000044
15	Heating box retainer	-	-	-
16	Heating box cap	-	-	-
17	Pipe heater*	BH70123900150	BH70160600250	BH70230600250
18	Hot air pipe	-	-	-
19	Outer cover of heating box	-	-	-
20	Flange	-	-	-
21	Blower*	BM40003000250	BM40004000150	BM40004000150
22	Control box	BH31012000050	BH31016000350	BH31023000150
23	Outer sight glass frame	-	-	-
24	Flange	-	-	-
25	Pin	-	-	-
26	Fastening screw	-	-	-
27	Sight-glass window	-	-	-

\* means possible broken parts.

\*\* means easy broken part. and spare backup is suggested.

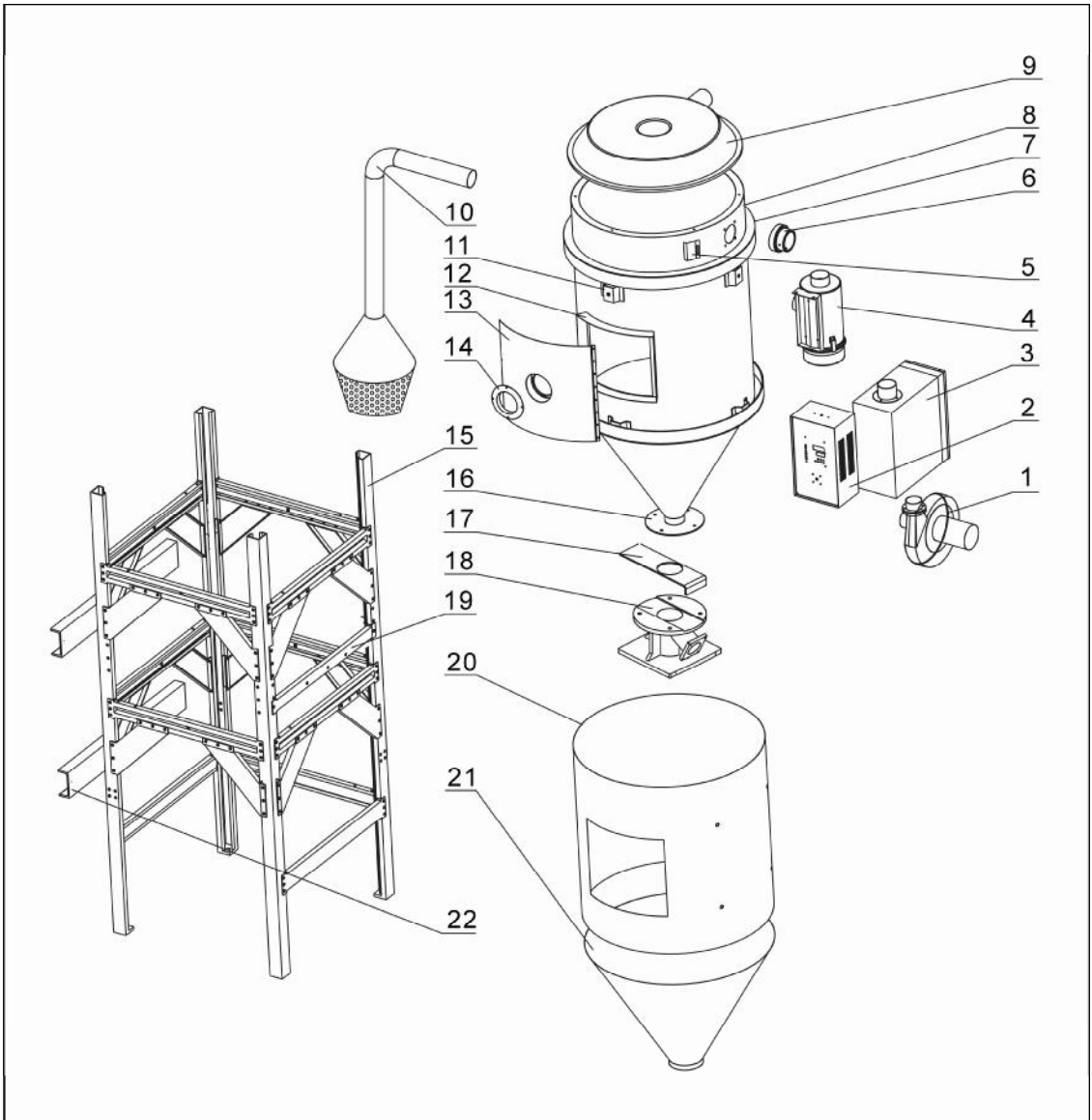
Please confirm the version of manual before placing the purchase order to guarantee that the item number of the spare part is in accordance with the real object.

Table 2-3: Parts List (SHD-300U~750U)

No.	Name	Part No.			
		SHD-300U	SHD-450U	SHD-600U	SHD-750U
1	Standard base	BY10300000050	BY10300000050	BY10400000050	BY10400000050
2	Shut-off valve	YW09102000000	YW09102000000	YW09406000040	YW09406000040
3	Hopper flange	-	-	-	-
4	Outer hopper	-	-	-	-
5	Inner hopper	-	-	-	-
6	Hopper bottom ring	-	-	-	-
7	Down-blowing pipe	-	-	-	-
8	Fixed block for down-blowing pipe	BW21164500010	BW21164500010	BW21601200010	BW21601200010
9	Heat preservation cover	-	-	-	-
10	Hopper upper ring	BA30304500110	BA30304500110	YA30607500110	YA30607500110
11	Hopper	-	-	-	-
12	Sight glass frame	-	-	-	-
13	Hopper top cover	BL02030000020	BL02030000020	BL02060000020	BL02075000020
14	Filtering bag	BP82734000044	BP82734000044	BP82864000044	BP82864000044
15	Heating box retainer	-	-	-	-
16	Heating box cap	-	-	-	-
17	Pipe heater*	BH70301200150	BH70451200250	BH70601800250	BH70751800250
18	Hot air pipe	-	-	-	-
19	Outer cover of heating box	-	-	-	-
20	Flange	-	-	-	-
21	Blower*	BM40005000150	BM40005000150	BM30055000250	BM30055000250
22	Control box	BH31304500050	BH31045000250	BH31060001750	BH31075000050
23	Outer sight glass frame	-	-	-	-
24	Flange	-	-	-	-
25	Pin	-	-	-	-
26	Fastening screw	-	-	-	-
27	Sight-glass window	-	-	-	-

\* means possible broken parts. \*\* means easy broken part. and spare backup is suggested. Please confirm the version of manual before placing the purchase order to guarantee that the item number of the spare part is in accordance with the real object.

## 2.2.6 Assembly Drawing (SHD-900U~1200U)



Remarks: Please refer to material list 2.2.6 for specific explanation of the Arabic numbers in parts drawing.

Picture 2-6: Assembly Drawing (SHD-900U~1200U)



## 2.2.7 Parts List (SHD-900U~120U)

Table 2-4: Parts List (SHD-900U~1200U)

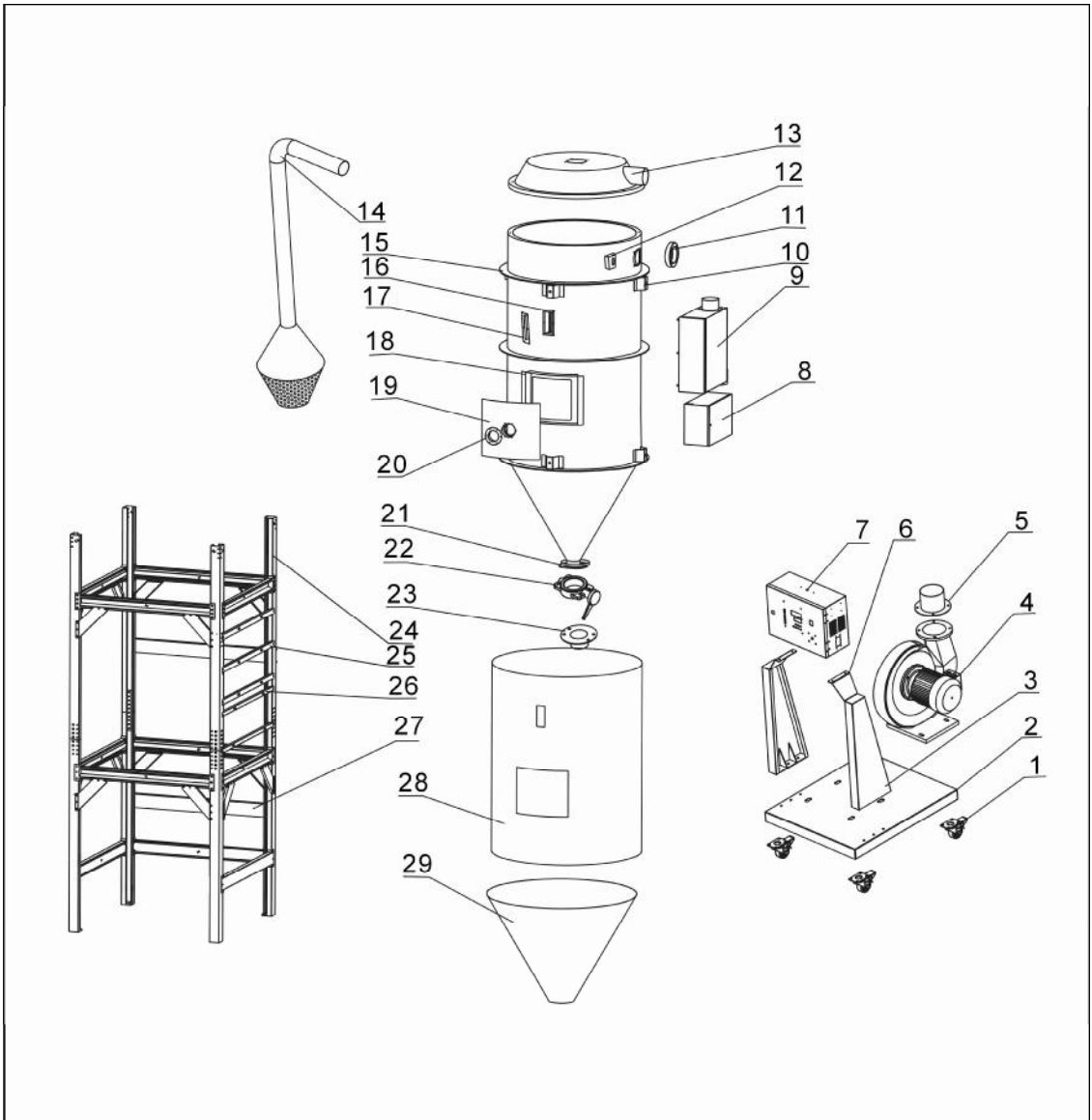
No.	Name	Part No.	
		SHD-900U	SHD-1200U
1	Blower*	BM30055000250	BM30113230050
2	Control box	-	-
3	Heating case	-	-
4	Hot air recycler	BY10090000350	BY10090000350
5	Welded block of material tank	-	-
6	Air inlet flange	BW21601200010	BW21601200010
7	Material tank	-	-
8	Strengthening ring of material tank	-	-
9	Lid	BL02090007520	BL02120001820
10	Down-blowing air pipe	-	-
11	Fixing welded block of foot stand	-	-
12	Clearance frame	-	-
13	Clearance door	-	-
14	Cleaning door baffle	-	-
15	Assembly picture of foot stand	-	-
16	Hopper flange	-	-
17	Shut-off plate	YW09406000040	YW09406000040
18	Magnetic base	YP10503300000	YP10503300000
19	Box fixing beam	-	-
20	Encircling barrel	-	-
21	Hopper encircling nameplate	-	-
22	Forklift beam	-	-

\* means possible broken parts.

\*\* means easy broken part. and spare backup is suggested.

Please confirm the version of manual before placing the purchase order to guarantee that the item number of the spare part is in accordance with the real object.

## 2.2.8 Assembly Drawing (SHD-1500U~8000U)



Remarks: Please refer to material list 2.2.8 for specific explanation of the Arabic numbers in parts drawing.

Picture 2-7: Assembly Drawing (SHD-1500U~8000U)

## 2.2.9 Parts List (SHD-1500U~8000U)

Table 2-5: Parts List (SHD-1500U~2500U)

No.	Name	Part No.		
		SHD-1500U	SHD-2000U	SHD-2500U
1	Castor	YW03000300200 YW03000300000	YW03000300200 YW03000300000	YW03000300200 YW03000300000
2	Frame base	-	-	-
3	Standing post	-	-	-
4	Blower*	BM30112200050	BM30112200050	BM30224000050
5	Blower flange	-	-	-
6	Welded block	-	-	-
7	Main electrical control box	-	-	-
8	Electrical control box	BH31150000250	BH31150000250	BH31250000150
9	Heating case	-	-	-
10	Fixing plate of foot stand	-	-	-
11	Air inlet flange	-	-	-
12	Hoisting ring	-	-	-
13	Lid	-	-	-
14	Down-blowing air pipe	-	-	-
15	Strengthening ring of material tank	-	-	-
16	Sight-glass inner frame	-	-	-
17	Six-point sight-glass window	-	-	-
18	Clearance frame	-	-	-
19	Cleaning door	-	-	-
20	Cleaning door baffle	-	-	-
21	Hopper flange	-	-	-
22	Manual butterfly valve	-	-	-
23	Dropping material receive plate	-	-	-
24	Assembly picture of foot stand	-	-	-
25	Fixing beam of heating case	-	-	-
26	Fixing beam of control box	-	-	-
27	Forklift beam			
28	Tank encircling aluminum plate			
29	Hopper encircling aluminum plate			

\* means possible broken parts.

\*\* means easy broken part. and spare backup is suggested.

Please confirm the version of manual before placing the purchase order to guarantee that the item number of the spare part is in accordance with the real object.

Table 2-6: Parts List (SHD-3000U~4000U)

No.	Name	Part No.		
		SHD-3000U	SHD-3500U	SHD-4000U
1	Castor	YW03000300200 YW03000300000	YW03000300200 YW03000300000	YW03000300200 YW03000300000
2	Frame base	-	-	-
3	Standing post	-	-	-
4	Blower*	BM30224000050	YM30403800000	YM30403800000
5	Blower flange	-	-	-
6	Welded block	-	-	-
7	Main electrical control box	-	-	-
8	Electrical control box	BH31250000150	BH31350000050	BH31350000050
9	Heating case	-	-	-
10	Fixing plate of foot stand	-	-	-
11	Air inlet flange	-	-	-
12	Hoisting ring	-	-	-
13	Lid	-	-	-
14	Down-blowing air pipe	-	-	-
15	Strengthening ring of material tank	-	-	-
16	Sight-glass inner frame	-	-	-
17	Six-point sight-glass window	-	-	-
18	Clearance frame	-	-	-
19	Cleaning door	-	-	-
20	Cleaning door baffle	-	-	-
21	Hopper flange	-	-	-
22	Manual butterfly valve	-	-	-
23	Dropping material receive plate	-	-	-
24	Assembly picture of foot stand	-	-	-
25	Fixing beam of heating case	-	-	-
26	Fixing beam of control box	-	-	-
27	Forklift beam	-	-	-
28	Tank encircling aluminum plate			
29	Hopper encircling aluminum plate			

\* means possible broken parts.

\*\* means easy broken part. and spare backup is suggested.

Please confirm the version of manual before placing the purchase order to guarantee that the item number of the spare part is in accordance with the real object.

Table 2-7: Parts List (SHD-4500U~6000U)

No.	Name	Part No.			
		SHD-4500U	SHD-5000U	SHD-5500U	SHD-6000U
1	Castor	YW03000300200 YW03000300000	YW03000300200 YW03000300000	-	YW03000300200 YW03000300000
2	Frame base	-	-	-	-
3	Standing post	-	-	-	-
4	Blower*	YM30554000000	YM30007500000	YM30007500000	YM30001100000
5	Blower flange	-	-	-	-
6	Welded block	-	-	-	-
7	Main electrical control box	-	-	-	-
8	Electrical control box	BH31350000050	BH31455000050	BH31455000050	BH31600000250
9	Heating case	-	-	-	-
10	Fixing plate of foot stand	-	-	-	-
11	Air inlet flange	-	-	-	-
12	Hoisting ring	-	-	-	-
13	Lid	-	-	-	-
14	Down-blowing air pipe	-	-	-	-
15	Strengthening ring of material tank	-	-	-	-
16	Sight-glass inner frame	-	-	-	-
17	Six-point sight-glass window	-	-	-	-
18	Clearance frame	-	-	-	-
19	Cleaning door	-	-	-	-
20	Cleaning door baffle	-	-	-	-
21	Hopper flange	-	-	-	-
22	Manual butterfly valve	-	-	-	-
23	Dropping material receive plate	-	-	-	-
24	Assembly picture of foot stand	-	-	-	-
25	Fixing beam of heating case	-	-	-	-
26	Fixing beam of control box	-	-	-	-
27	Forklift beam	-	-	-	-

No.	Name	Part No.			
		SHD-4500U	SHD-5000U	SHD-5500U	SHD-6000U
28	Tank encircling aluminum plate				
29	Hopper encircling aluminum plate				

\* means possible broken parts.

\*\* means easy broken part. and spare backup is suggested.

Please confirm the version of manual before placing the purchase order to guarantee that the item number of the spare part is in accordance with the real object.

Table 2-8: Parts List (SHD-6500U~8000U)

No.	Name	Part No.		
		SHD-6500U	SHD-7000U	SHD-8000U
1	Castor	-	-	-
2	Frame base	-	-	-
3	Standing post	-	-	-
4	Blower*	YM30001100000	YM30001500000	YM30001500000
5	Blower flange	-	-	-
6	Welded block	-	-	-
7	Main electrical control box	-	-	-
8	Electrical control box	-	-	-
9	Heating case	-	-	-
10	Fixing plate of foot stand	-	-	-
11	Air inlet flange	-	-	-
12	Hoisting ring	-	-	-
13	Lid	-	-	-
14	Down-blowing air pipe	-	-	-
15	Strengthening ring of material tank	-	-	-
16	Sight-glass inner frame	-	-	-
17	Six-point sight-glass window	-	-	-
18	Clearance frame	-	-	-
19	Cleaning door	-	-	-
20	Cleaning door baffle	-	-	-
21	Hopper flange	-	-	-
22	Manual butterfly valve	-	-	-
23	Dropping material receive plate	-	-	-
24	Assembly picture of foot stand	-	-	-
25	Fixing beam of heating case	-	-	-
26	Fixing beam of control box	-	-	-
27	Forklift beam	-	-	-
28	Tank encircling aluminum plate			
29	Hopper encircling aluminum plate			

\* means possible broken parts.

\*\* means easy broken part. and spare backup is suggested.

Please confirm the version of manual before placing the purchase order to guarantee that the item number of the spare part is in accordance with the real object.