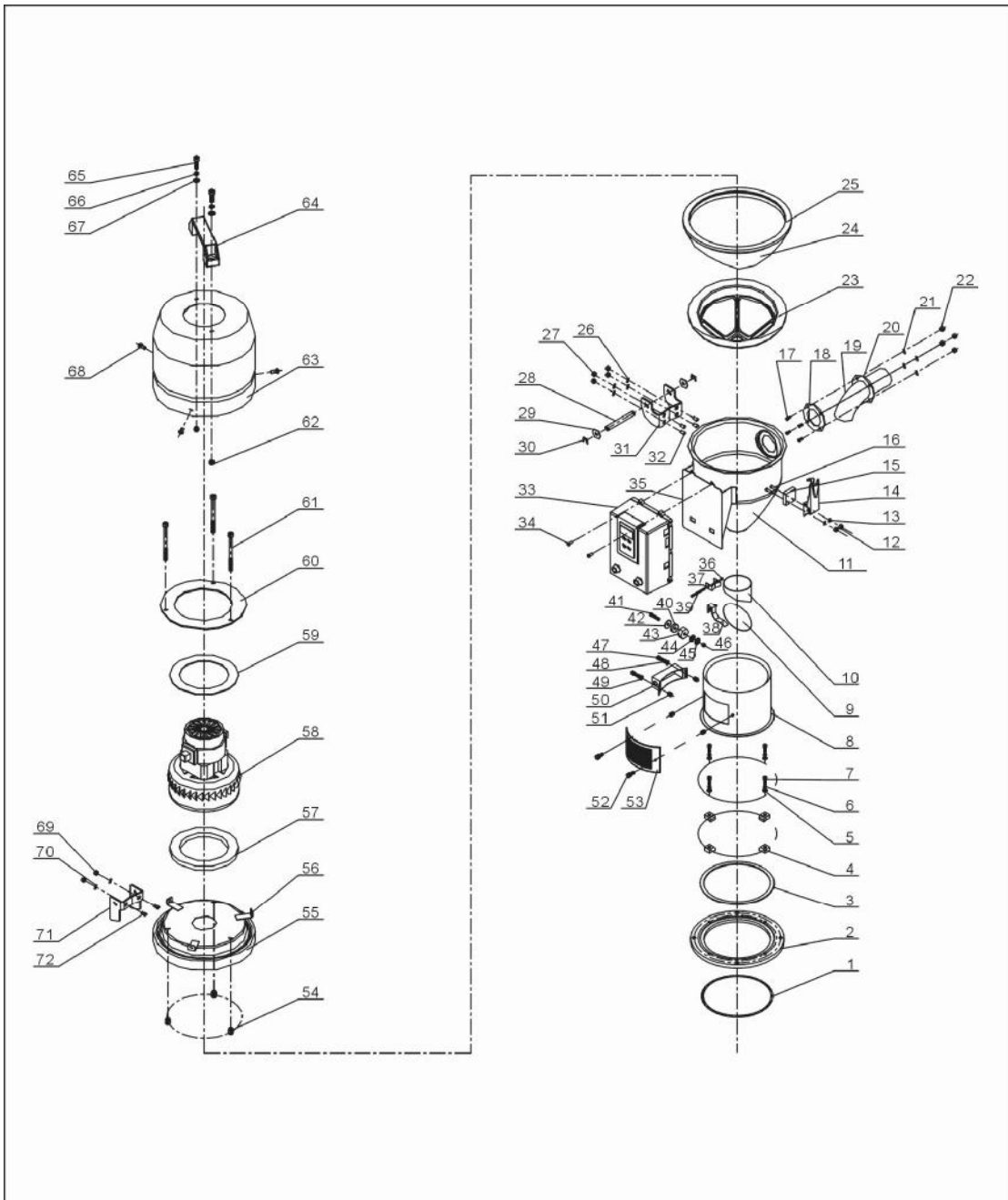


## 2.2 Assembly Drawing

### 2.2.1 Assembly Drawing (SAL-1U)



Remarks: Please refer to material list 2.2.2 for specific explanation of the Arabic numbers in parts drawing.

Picture 2-4: Assembly Drawing (SAL-1U)

## 2.2.2 Parts List (SAL-1U)

Table 2-1: Parts List (SAL-1U)

No.	Name	Part No.	No.	Name	Part No.
1	O-Type seal ring	YR20205500000	30	Filtering cloth split washer**	-
2	Base	YW20001500200	31	Hop-pocket**	-
3	Base packing	-	32	Hopper packing*	-
4	Pressure block	YW20000600500	33	Flat washer 5	YW66051000100
5	Flat washerΦ6×13	YW66061300000	34	Loose-proof nut M5	YW64000500000
6	Spring washer M6	YW65006000000	35	Hinge pin	BH10006003110
7	Inner hexagon screw M6×15	YW61061600300	36	Flat washer 8×22	YW66082200100
8	Cross socket head cap screw	YW63032500000	37	E-rings 6	YW63051000000
9	Flat washer 3×10	YW66031000000	38	lower hinge	BL32000600140
10	Flat washer 3×12	YW66031200000	39	Screw M5×10	YW69051000000
11	Permanent magnet	YW90213700000	40	Electrical control box base	-
12	Magnet shield	-	41	Electrical control box	YR40030600000
13	Loose-proof nut M3	YW64000300000	42	Cross socket head cap screw M4×6	YW63040600000
14	Shut-off plate*	-	43	Sensor shell	-
15	Connection block for shut-off plate	-	44	Inner hexagon screw	YW61061000100
16	Lentil head screw	YW09250500000	45	Shut-off platefixed base	-
17	Star knobM6×15	YR40061500000	46	Loose-proof nut M3	YW64000300000
18	Discharge port	-	47	Shut-off platefixed base	-
19	Ventilation window	YR40000600500	48	Cross socket head cap screw M3×40	YW63034000000
20	Snap hook	YW02003000400	49	Mini-countersunk blind rivet screw M6	YW64060200000
21	Pressure block	YR40000600300	50	Hopper lid	-
22	Screw M4×15	YW69041500100	51	Motor hood fixed base	BH10063200040
23	Screw M4×10	YW69041000000	52	Reverse clean knit	-
24	Material inputting pipe packing	YR10150300000	53	Air tube jiffy quick connector	YW80083800200
25	Material inputting pipe	BL32333600020	54	motor fastener	-
26	Material inputting pipe fixed piece	-	55	Carbon brush motor *	-
27	Flat washer 4	YW66040800000	56	Fixed board 2	-
28	Loose-proof nut M4×0.7	YW64040700100	57	Fixed board 1	-
29	Material storage tank	-	58	Fixed board 3	-

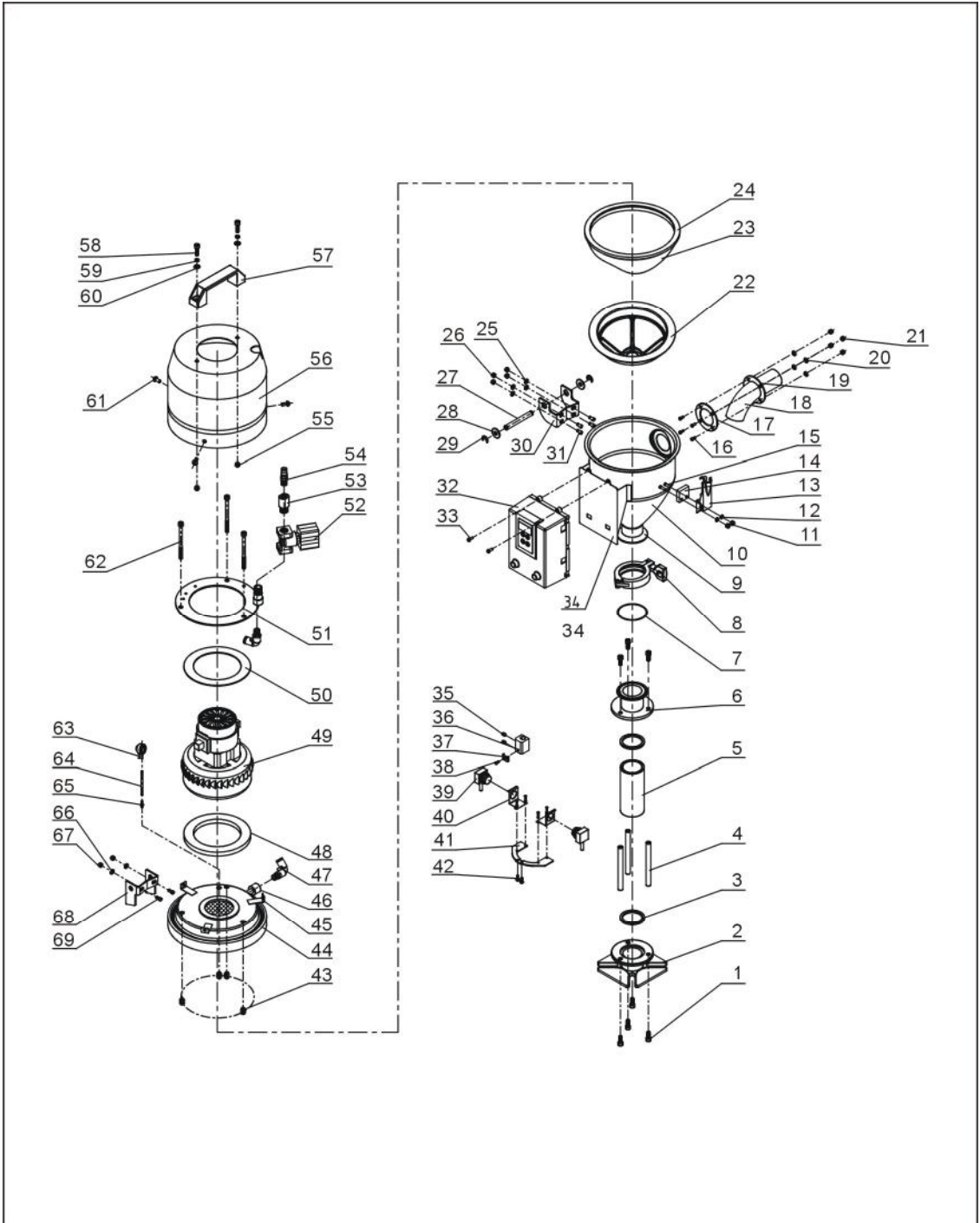
No.	Name	Part No.	No.	Name	Part No.
59	Flat washer 5	YW66051000100	68	Inner hexagon screw	YW61062000300
60	Spring washer 5	YW65050000000	69	Jiffy quick connector	YW80031400000
61	Inner hexagon screw	YW61051200100	70	Connector 3	-
62	Flat washer 6	YW66061300000	71	Solenoid valve *	YE32213100000
63	Inner hexagon screw	YW61065000100	72	Pressure switch	-
64	Screw	YW64000600200	73	Blue air pipe	YR60060400000
65	Cross socket head cap screw	YW62051500000	74	Pressure switch connector	BH11103000010
66	Motor hood	-	75	upper hinge	BL32000600240
67	Square aluminum handle	BW20012000040			

\* means possible broken parts.

\*\* means easy broken part. and spare backup is suggested.

Please confirm the version of manual before placing the purchase order to guarantee that the item number of the spare part is in accordance with the real object.

### 2.2.3 Assembly Drawing (SAL-1.5U-E)



Remarks: Please refer to material list 2.2.4 for specific explanation of the Arabic numbers in parts drawing.

Picture 2-5: Assembly Drawing (SAL-1.5U-E)

## 2.2.4 Parts List (SAL-1.5U-E)

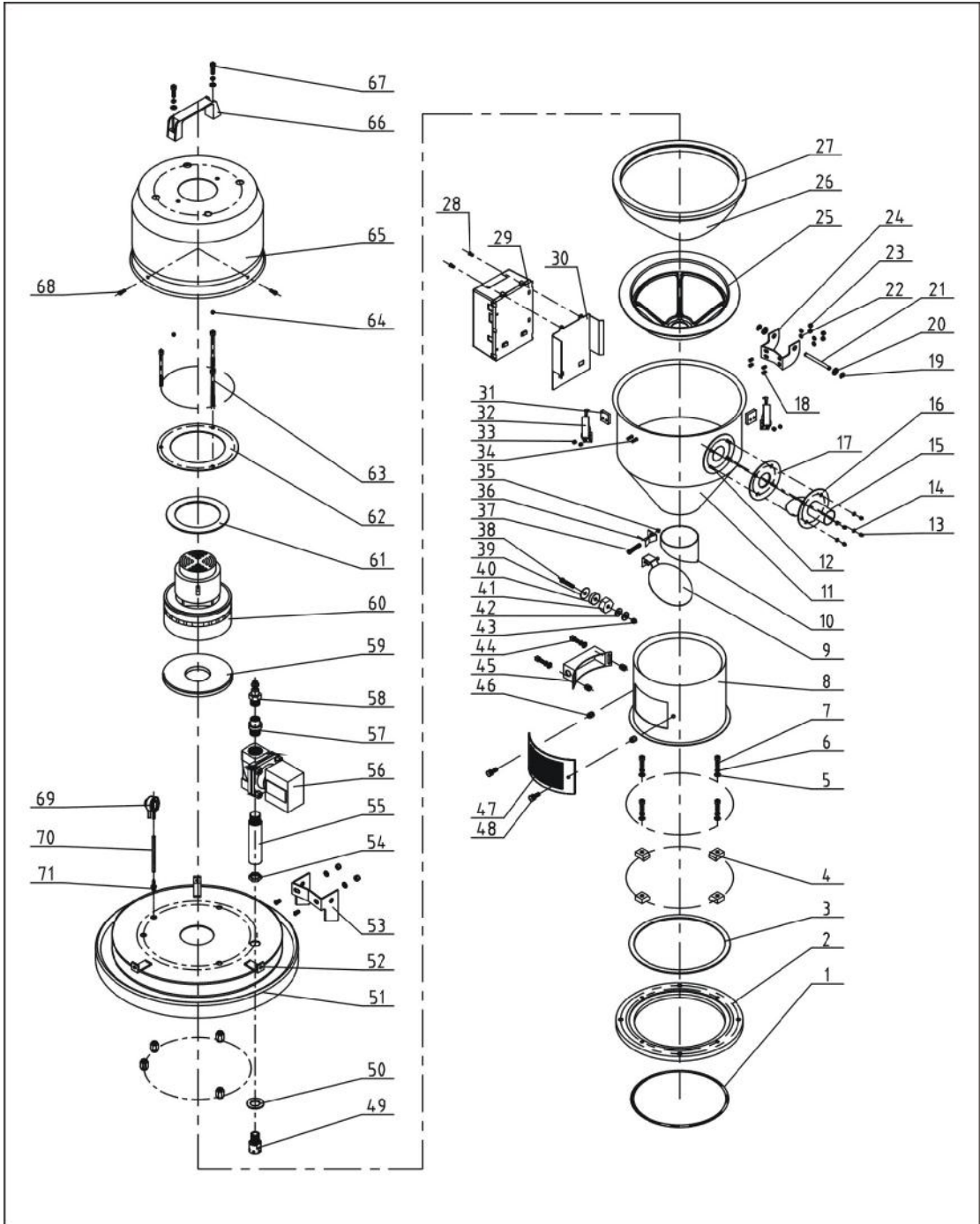
Table 2-2: Parts List (SAL-1.5U-E)

No.	Name	Part No.	No.	Name	Part No.
1	Inner hexagon screw M6×15	YW61061600300	30	Low hinge	BL32000600120
2	Glass pipe lower flange	YW32000300000	31	Screw M5×10	YW64040700100
3	Glass pipe packing	YW61061600300	32	Electric controlled box	YR40030600000
4	Flange connection shaft	BH10101100010	33	Thick-headed screw M4×6	YW63040600000
5	Glass pipe**	YW70504000000	34	Electric controlled box base	BL21001502620
6	Glass pipe upper flange	BW32000300210	35	Thick-headed screw M4×5	YW63040600000
7	Base packing	YR10000300200	36	Electric controlled box base	BL21001502420
8	Stainless steel pipe clip	YW07002500600	37	Stop screw	BL21061600020
9	Hopper flange	BW32000300110	38	Magic eye fixed piece	YW63041000000
10	Material storage bucket	BL21001502320	39	Magic eye liner pressure block	YE15143900000
11	Loose-proof nut M4×0.7	YW64040700100	40	Magic eye liner pressure block	-
12	Flat washer Φ4×8	YW66040800000	41	Magic eye fixed piece	BL90001000120
13	Snap hook **	YW02003000400	42	Thick-headed screw	YW63041000000
14	Pressure block	YR40000600300	43	Mini-flat head Monobolt M6	YW64060200000
15	Screw M4×15	YW69041500100	44	Hopper lid	BL22001500821
16	Screw M4×10	YW69041000000	45	Motor hood fixed base	BH10063200040
17	Material inputting pipe packing	YR10150300000	46	Reverse cleaning kit	-
18	Material inputting pipe	BL32333600020	47	Air tube jiffy quick connector	YW80083800200
19	Material inputting pipe fixed piece	BL21000602520	48	Motor packing (low)	YR10070000000
20	Flat washer Φ4×8	YW66040800000	49	Carbon brush motor*	YM30965600000
21	Loose-proof nut M4×0.7	YW64040700100	50	Motor packing (upper)	YP62141200000
22	Filtering cloth split washer**	YR40001500100	51	Motor fixed board	BL21001501320
23	Hop-pocket**	BP82001500044	52	Solenoid valve	YE32213100000
24	Hopper packing*	YR10001500000	53	Connector 3	-
25	Flat washer	YW66051000100	54	Celerity connector	YW80031400000
26	Loose-proof nut	YW64000500000	55	Loose-proof nut	YW64000600200
27	Hinge pin	BH10006003110	56	Motor hood	BL22001500320
28	Flat washer Φ8×22	YW66082200100	57	Handle	BW20012000040
29	Lentil head screw	YW63051000000	58	Inner hexagon screw	YW61062000300

No.	Name	Part No.	No.	Name	Part No.
59	Flat washer M6	YW65006000000	65	Connection nut	BH11103000010
60	Flat washer	YW66061300000	66	Loose-proof nut	YW64000500000
61	Thick-headed screw M5×15	YW62051500000	67	Flat washer	YW66040800000
62	Inner hexagon screw		68	Upper hinge	BL32000600220
63	Pressure switch	YE15002000100	69	Screw M5×10	YW69051000000
64	Blue air pipe	YR60060400000			

\* means possible broken parts. \*\* means easy broken part. and spare backup is suggested.  
Please confirm the version of manual before placing the purchase order to guarantee that the item number of the spare part is in accordance with the real object.

## 2.2.5 Assembly Drawing (SAL-3U)



Remarks: Please refer to material list 2.2.6 for specific explanation of the Arabic numbers in parts drawing.

Picture 2-6: Assembly Drawing (SAL-3U)



## 2.2.6 Parts List (SAL-3U)

Table 2-3: Parts List (SAL-3U)

No.	Name	Part No.	No.	Name	Part No.
1	O-Type seal ring	YR20205500000	32	Snap hook	YR40000600300
2	Base	YW20006000000	33	Lockup nut	YW69040700100
3	Base packing	-	34	Screw	YW64041500100
4	Pressure block	YW20000600500	35	Lockup nut	YW64000300000
5	Spring washer M6	YW65006000000	36	Fixed base of discharging plate	BL20000601220
6	Flat washer 6	YW66061300000	37	Cross socket head cap screw M3×40	YW63034000000
7	Inner hexagon screw	YW61062000300	38	Cross socket head cap screw M6×20	YW63062000000
8	Hopper fixed base	BL21063200020	39	Magnet lid	BL21000600120
9	Baffle plate*	-	40	Permanent magnet	YW90257700000
10	Mouth of the baffle plate	BL21000600720	41	Magnet sleeve	BH12000600010
11	Material storage bucket	-	42	Flat gasketΦ8×22	YW66082200100
12	Screw M4×10	YW69041000000	43	Screw M6	YW64000600200
13	Loose-proof nut M4×0.7	YW64040700100	44	Inner hexagon screw M6×10	YW63061000000
14	Flat washer 5	YW66040800000	45	Sensor shell	YR40000600100
15	Material inputting pipe	-	46	Mini-countersunk blind rivet screw M6	YW64060200000
16	Material inputting pipe fixed piece	-	47	Ventilation window	YR40000600500
17	Material inputting pipe packing	-	48	Double offset ring spanner	YR40061500000
18	Screw M5×10	YW64040700100	49	Reverse clean knit nozzle	-
19	E Type washer	YW66000500000	50	Washer	BP62352100050
20	Flat washer Φ8×22	YW66082200100	51	Hopper cover	-
21	Hinge pin	BH10006003110	52	Motor outer hood fixed seat	-
22	Flat washer Φ5	YW66051000100	53	Upper hinge	BL32000600240
23	Loose-proof nut M5	YW64000500000	54	Connection nut	-
24	Low hinge	BL32000600140	55	Connector 2	-
25	Filtering cloth split washer**	YR40003000100	56	Solenoid valve	YE32213100000
26	Hop-pocket **	BP82006000044	57	Connector 3	-
27	Hopper packing*	YR10000300100	58	Jiffy quick connector	YW80031400000
28	Screw M4×6	YW63040600000	59	Motor packing (upper)	YR10070000000
29	Electrical control box	YR40030600000	60	Carbon brush motor*	YM30965600000
30	Electrical control box base	-	61	Motor packing (low)	YP62141200000
31	Snap hook pressure block	YW02003000400	62	Motor fixed board	-

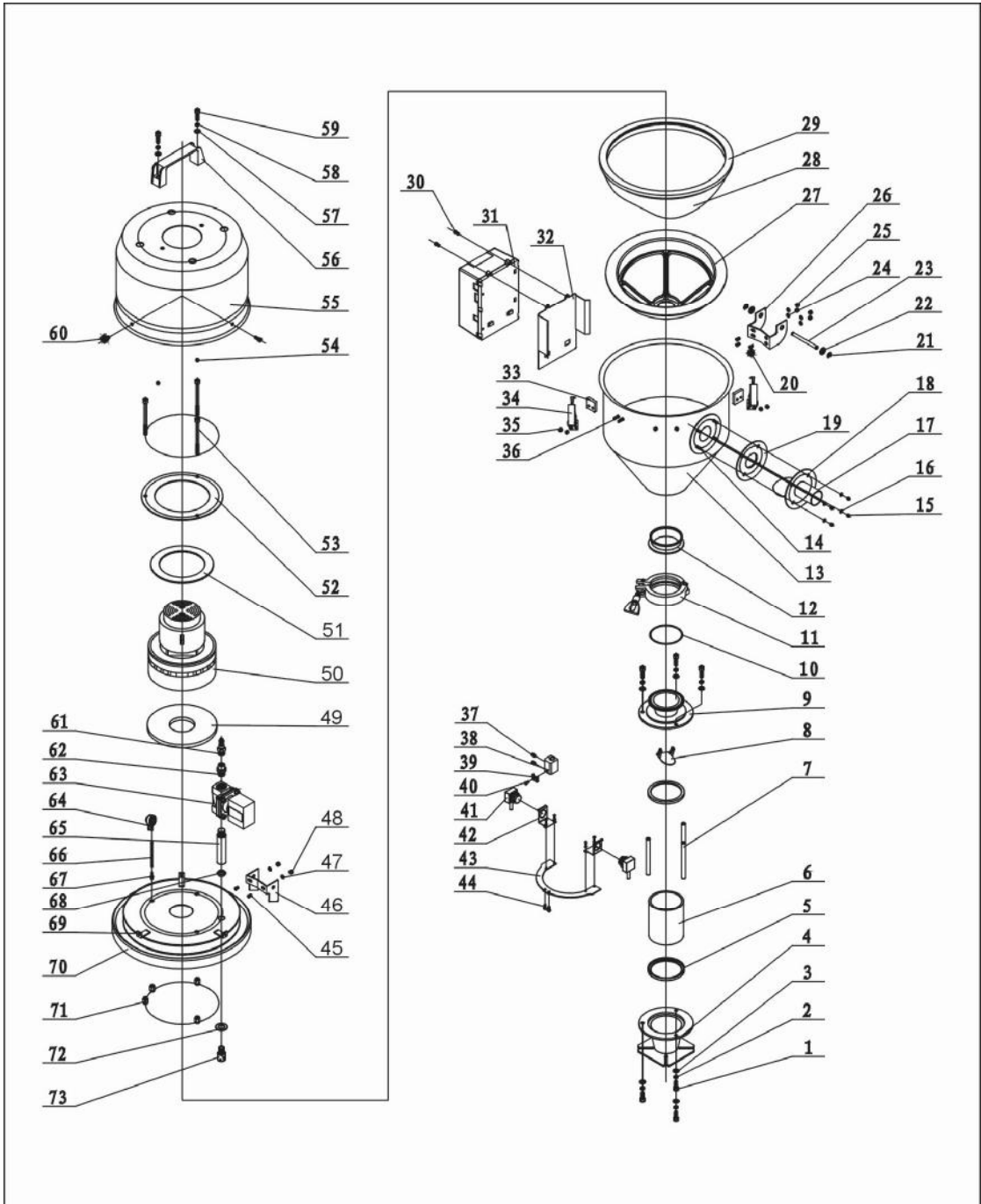
No.	Name	Part No.	No.	Name	Part No.
63	Inner hexagon screw M6×90	YW61069000100	68	Cross socket head cap screw M5×15	YW62051500000
64	Screw M6	YW64000600200	69	Pressure switch	YE15002000100
65	Motor cover	YR40033000000	70	Blue air pipe	YR60060400000
66	L120 square aluminum handle	BW20012000040	71	Pressure switch connector	-
67	Inner hexagon screw M6×20	YW61062000300			

\* means possible broken parts.

\*\* means easy broken part. and spare backup is suggested.

Please confirm the version of manual before placing the purchase order to guarantee that the item number of the spare part is in accordance with the real object.

## 2.2.7 Assembly Drawing (SAL-3U-E)



Remarks: Please refer to material list 2.2.8 for specific explanation of the Arabic numbers in parts drawing.

Picture 2-7: Assembly Drawing (SAL-3U-E)

## 2.2.8 Parts List (SAL-3U-E)

Table 2-4: Parts List (SAL-3U-E)

No.	Name	Part No.	No.	Name	Part No.
1	Inner hexagon screw M6×15	YW61061600300	32	Snap hook **	BL21000301520
2	Spring washer	YW65006000000	33	Loose-proof nut	YR40000600300
3	Flat washer Φ6×13	YW66061300000	34	Electric controlled box base	YW02003000400
4	Glass pipe lower flange	YW32000600000	35	Electric controlled box	YW64040700100
5	Glass pipe packing	YR10060200000	36	Thick-headed screw	YW69041500100
6	Glass pipe**	YW70908000000	37	Stop screw	YW68004500000
7	Flange connection shaft	BH10101100010	38	Magic eye fixed housing	YW20061500000
8	Non-return flap*	BL21000600820	39	Magic eye liner pressure block	BL21061600020
9	Glass pipe upper flange	YW32000600200	40	Screw M4×10	YW63041000000
10	O-type seal ring	YR20802600000	41	Magic eye	YE15143900000
11	Food connector	YW07000300000	42	Magic eye fixed housing	-
12	Hopper flange	YW32000600100	43	Magic eye fixed piece	BL21061200020
13	Material storage bucket	BL20000610120	44	Screw M4×10	YW63041000000
14	Screw M4×10	YW69041000000	45	Screw M5×10	YW64040700100
15	Loose-proof nut M4×0.7	YW64040700100	46	Upper hinge	BL32000600220
16	Flat washer 4	YW66040800000	47	Flat washer	YW66040800000
17	Material inputting pipe	BL32333600020	48	Loose-proof nut	YW64000500000
18	Material inputting pipe fixed piece	BL21000602520	49	Motor packing (upper)	YR10070000000
19	Material inputting pipe packing	YR10150300000	50	Carbon brush motor*	YM30965600000
20	Screw M5×10	YW64040700100	51	Motor packing (low)	YP62141200000
21	E Type washer	YW63051000000	52	Motor fixed board	BL21000300420
22	Flat washer Φ8×22	YW66082200100	53	Inner hexagon screw	YW61069000100
23	Hinge pin	BH10006003110	54	Screw	YW64000600200
24	Flat washer Φ5×10	YW66051000100	55	Motor outer hood	YR40033000000
25	Loose-proof nut M5	YW64000500000	56	L120 Square aluminum handle	BW20012000040
26	Low hinge	BL32000600120	57	Inner hexagon screw	YW61062000300
27	Filtering cloth split washer**	YR40003000100	58	Spring washer	YW65006000000
28	Hop-pocket **	BP82003000044	59	Flat washer	YW66061300000
29	Hopper packing*	YR10000300100	60	Lentil head screw	YW62051500000
30	Screw	YW63040600000	61	Celerity connector	YW80031400000
31	Snap hook pressure block	YR40030600000	62	Zipper III	BH13031100010

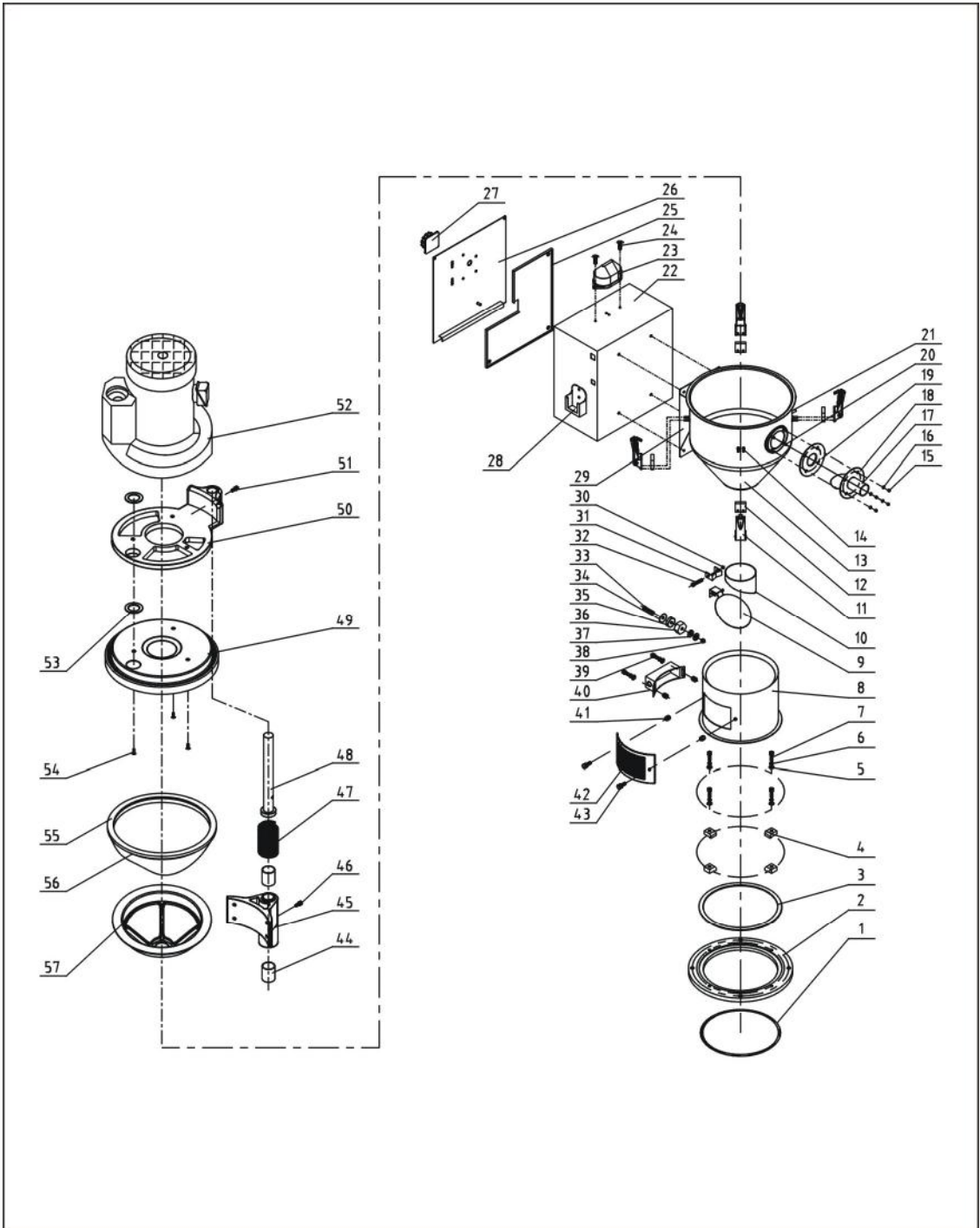
No.	Name	Part No.	No.	Name	Part No.
63	Solenoid valve*	YE32213000100	69	Motor outer hood fixed seat	BH10063200040
64	Pressure switch	YE15002000100	70	Hopper lid	BL20000310521
65	Connector II	BH13030300010	71	Mini-countersunk blind rivet screw M6	YW64060200000
66	Blue air pipe	YR60060400000	72	Gasket	BP62352100050
67	Pressure switch	BH11103000010	73	High pressure air nozzle	BH13033000810
68	Connection nut I	BH12030400410			

\* means possible broken parts.

\*\* means easy broken part. and spare backup is suggested.

Please confirm the version of manual before placing the purchase order to guarantee that the item number of the spare part is in accordance with the real object.

## 2.2.9 Assembly Drawing (SAL-3U-3)



Remarks: Please refer to material list 2.2.10 for specific explanation of the Arabic numbers in parts drawing.

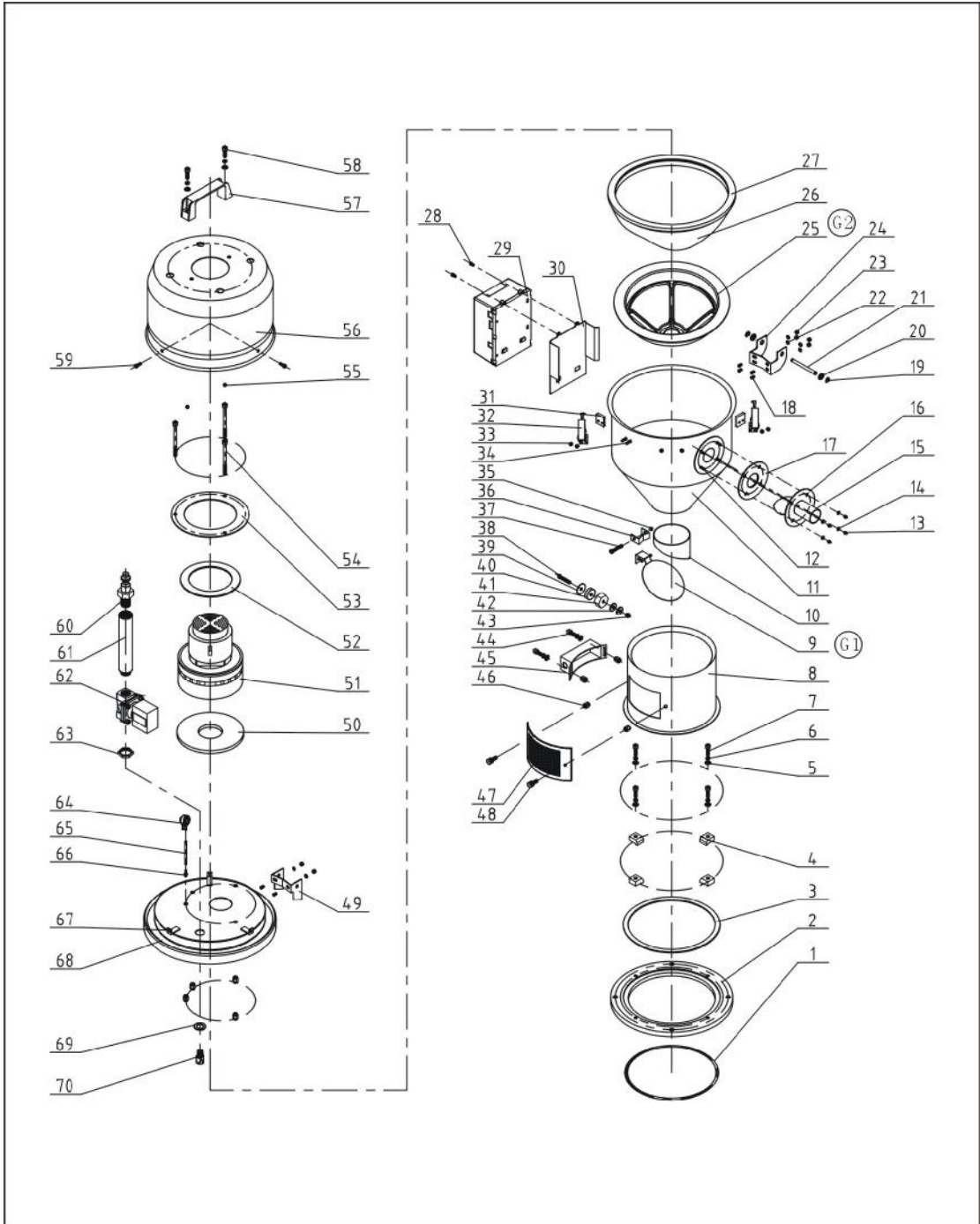
Picture 2-8: Assembly Drawing (SAL-3U-3)

## 2.2.10 Parts List (SAL-3U-3)

Table 2-5: Parts List (SAL-3U-3)

No.	Name	Part No.	No.	Name	Part No.
1	O-Type seal ring	YR20205500000	30	Screw M3	YW64000300000
2	Base	YW20006000000	31	Baffle plate fixed base	BL20000601220
3	Base packing	-	32	Cross socket head cap screw M3×40	YW63034000000
4	Pressure block	YW20000600500	33	Cross socket head cap screw M6×20	YW63062000000
5	Spring washer M6	YW65006000000	34	Magnet shield	BL21000600120
6	Flat washer Φ6×13	YW66061300000	35	Permanent magnet	YW60257700000
7	Inner hexagon screw	YW61062000300	36	Magnet lid	BH12000600010
8	Hopper fixed base	BL21000600020	37	Flat washer 8×22	YW66082200100
9	Baffle plate	-	38	Screw M6	YW64000600200
10	Mouth of the baffle plate	BL21000600720	39	Inner hexagon screw M6×10	YW63061000000
11	Snap hook **	YW02003000400	40	Sensor shell	YR40000600100
12	Pressure block	YR40000600300	41	Mini-countersunk blind rivet screw M6	YW64060200000
13	Material storage bucket	-	42	Ventilation window	YR40000600500
14	Screw M4×15	YW69041500100	43	Double offset ring spanner	YR40061500000
15	Screw	YW64040700100	44	Shaft sleeve	YW11253000000
16	Flat washer Φ4	YW66040800000	45	Installation base	BW21030300010
17	Material inputting pipe	-	46	Guide pin	BH11000300000
18	Material inputting pipe fixed piece	-	47	Spring	-
19	Material inputting pipe packing	-	48	Shaft	BH10060300040
20	Screw M4×10	YW69041000000	49	Hopper lid	-
21	Screw M6×20	-	50	Rotation flange	BW21030300100
22	Electric controlled box	-	51	Screw M5×15	YM30965600000
23	Alarm light	YE83305100200	52	Blower*	YM30032900000
24	Cross socket head cap screw M4×6	YW63040600000	53	Motor suction mouth packing	YR10001000000
25	Control base board	-	54	Cross socket head cap screw M5×25	YW62052500000
26	Electric controlled box lid	-	55	Hopper packing*	YR10000300100
27	Main power switch	YE10210300000	56	Hop-pocket **	BP82003000044
28	Handle box	-	57	Filtering cloth split washer**	YR45003000100
29	Electric controlled box base	-			

## 2.2.11 Assembly Drawing (SAL-6U)



Remarks: Please refer to material list 2.2.12 for specific explanation of the Arabic numbers in parts drawing.

Picture 2-9: Assembly Drawing (SAL-6U)



## 2.2.12 Parts List (SAL-6U)

Table 2-6: Parts List (SAL-6U)

No.	Name	Part No.	No.	Name	Part No.
1	O-Type seal ring	YR20205500000	29	Electrical control box	YR40030600000
2	Base	YW20006000000	30	Electrical control box base	-
3	Base packing	-	31	Snap hook pressure block	YR40000600300
4	Pressure block	YW20000600500	32	Snap hook	YW02003000400
5	Spring washer	YW65006000100	33	Lockup nut	YW64040700100
6	Flat washer	YW66061300000	34	Screw	YW69041500100
7	Inner hexagon screw	YW61062000300	35	Lockup nut	YW64000300000
8	Hopper fixed base	BL21000600020	36	Fixed base of discharging plate	BL20000601220
9	Baffle plate	-	37	Cross socket head cap screw M3×40	YW63034000000
10	Mouth of the baffle plate	BL21000600720	38	Cross socket head cap screw M6×20	YW63062000000
11	Material storage bucket	-	39	Magnet lid	BL21000600120
12	Screw M4×10	YW69041000000	40	Permanent magnet	YW90257700000
13	Loose-proof nut M4×0.7	YW64040700100	41	Magnet shield	BH12000600010
14	Flat washer Φ4	YW66040800000	42	Flat washer Φ8×22	YW66082200100
15	Material inputting pipe	-	43	Loose-proof nut M6	YW64000600200
16	Material inputting pipe fixed piece	-	44	Inner hexagon screw M6×10	YW63061000000
17	Material inputting pipe packing	-	45	Sensor shell	YR40000600100
18	Screw M5×10	YW64040700100	46	Mini-countersunk blind rivet screw M6	YW64060200000
19	E Type washer	YW66000500000	47	Ventilation window	YR40000600500
20	Flat washer	YW66082200100	48	Double offset ring spanner	YR40061500000
21	Hinge pin	BH10006003110	49	Upper hinge	BL32000600240
22	Flat washer	YW66051000100	50	Motor packing (lower)	YR10070000000
23	Loose-proof nut	YW64000500000	51	Carbon brush motor*	YM30965600000
24	Low hinge	BL32000600140	52	Motor packing (upper)	YP62141200000
25	Filtering cloth split washer**	YR40006000000	53	Motor fixed board	-
26	Hop-pocket **	BP82006000044	54	Inner hexagon screw M6×90	YW61069000100
27	Hopper packing*	YR10000600200	55	Loose-proof nut M6	YW64000600200
28	Cross socket head cap screw M4×6	YW63040600000	56	Motor hood	YR40036000000

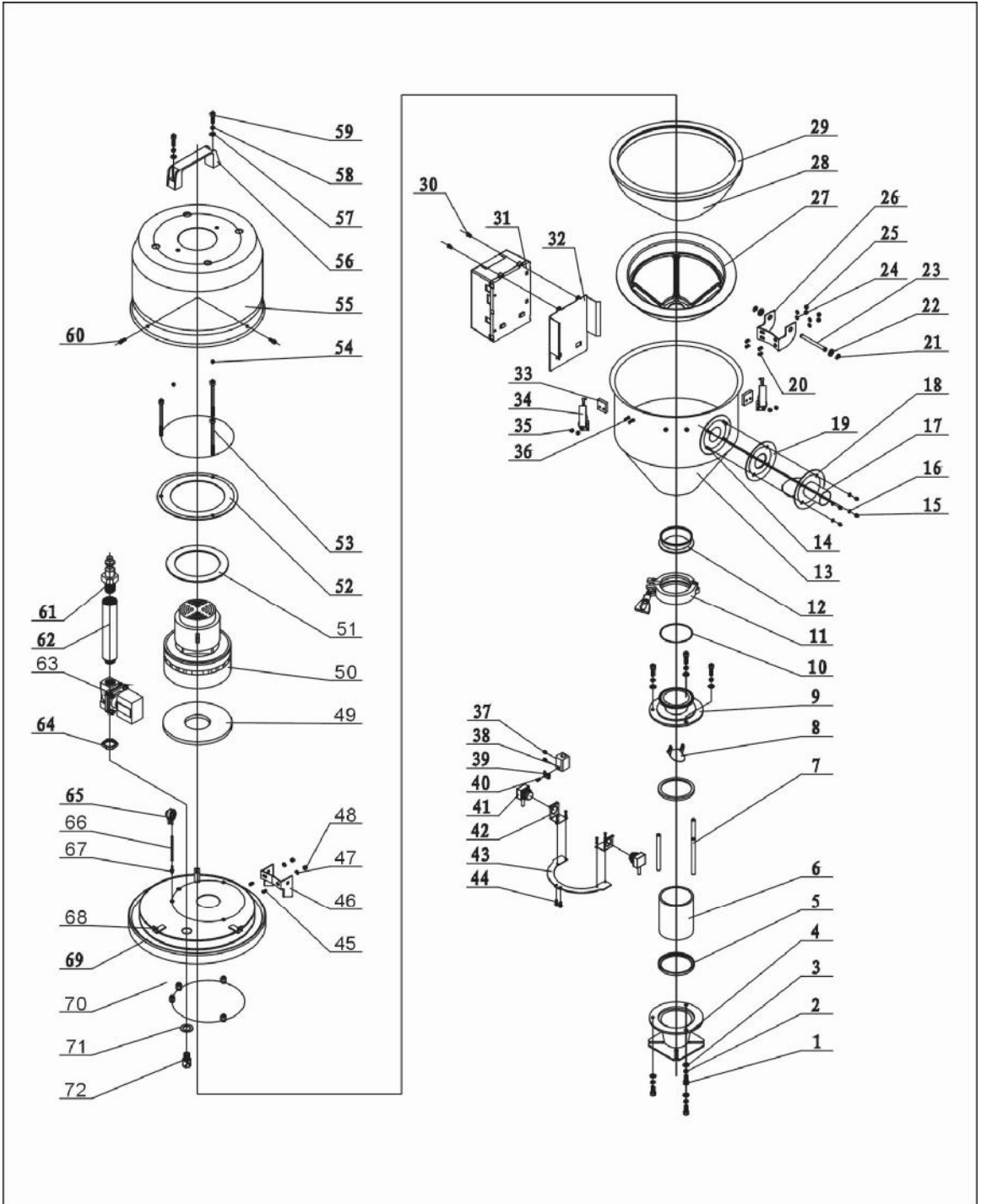
No.	Name	Part No.	No.	Name	Part No.
57	L120 Square aluminum handle	BW20012000040	64	Pressure switch	YE15002000100
58	Inner hexagon screw M6×20	YW61062000300	65	Blue air pipe	YR60060400000
59	Cross socket head cap screw M5×15	YW62051500000	66	Pressure switch connector	-
60	Celerity connector	YW80031400000	67	Motor outer hood fixed seat	-
61	Connector II	-	68	Hopper lid	-
62	Solenoid valve*	YE32213100000	69	Gasket	BP62352100050
63	Connection nut	-	70	High pressure air nozzle	

\* means possible broken parts.

\*\* means easy broken part. and spare backup is suggested.

Please confirm the version of manual before placing the purchase order to guarantee that the item number of the spare part is in accordance with the real object.

## 2.2.13 Assembly Drawing (SAL-6U-E)



Remarks: Please refer to material list 2.2.14 for specific explanation of the Arabic numbers in parts drawing.

Picture 2-10: Assembly Drawing (SAL-6U-E)

## 2.2.14 Parts List (SAL-6U-E)

Table 2-7: Parts List (SAL-6U-E)

No.	Name	Part No.	No.	Name	Part No.
1	Inner hexagon screw M6×15	YW61061600300	32	Snap hook **	BL21000602020
2	Spring washer	YW65006000000	33	Loose-proof nut	YR40000600300
3	Flat washer Φ6×13	YW66061300000	34	Electric controlled box base	YW02003000400
4	Glass pipe lower flange	YW32000600000	35	Electric controlled box	YW64040700100
5	Glass pipe packing	YR10060200000	36	Thick-headed screw	YW69041500100
6	Glass pipe**	YW70908000000	37	Stop screw	YW68004500000
7	Flange connection shaft	BH10101100010	38	Magic eye fixed housing	YW20061500000
8	Non-return flap*	BL21000600820	39	Magic eye liner pressure block	BL21000610020
9	Glass pipe upper flange	YW32000600200	40	Screw	YW63041000000
10	O-type seal ring	YR20802600000	41	Magic eye	YE15143900000
11	Food connector	YW07000300000	42	Magic eye fixed housing	
12	Hopper flange	YW32000600100	43	Magic eye fixed piece	BL21061200020
13	Material storage bucket	BL21000602920	44	Screw	YW63041000000
14	Screw M4×10	YW69041000000	45	Screw	YW64040700100
15	Loose-proof nut	YW64040700100	46	Upper hinge	BL32000600220
16	Flat washer Φ4×8	YW66040800000	47	Flat washer	YW66040800000
17	Material inputting pipe	BL32333600020	48	Loose-proof nut	YW64000500000
18	Material inputting pipe fixed piece	BL21000602520	49	Motor packing (upper)	YR10070000000
19	Material inputting pipe packing	YR10150300000	50	Carbon brush motor*	YM30965600000
20	Screw M5×10	YW64040700100	51	Motor packing (low)	YP62141200000
21	E Type washer	YW63051000000	52	Motor fixed board	BL21000300420
22	Flat washer Φ8×22	YW66082200100	53	Inner hexagon screw	YW61069000100
23	Hinge pin	BH10006003110	54	Screw	YW64000600200
24	Flat washer Φ5×10	YW66051000100	55	Motor outer hood	YR40033000000
25	Loose-proof nut M5	YW64000500000	56	L120 Square aluminum handle	BW20012000040
26	Low hinge	BL32000600120	57	Inner hexagon screw	YW61062000300
27	Filtering cloth split washer**	YR40003000100	58	Spring washer	YW65006000000
28	Hop-pocket **	BP82003000044	59	Flat washer	YW66061300000
29	Hopper packing*	YR10000300100	60	Lentil head screw	YW62051500000
30	Screw	YW63040600000	61	Celerity connector	YW80031400000
31	Snap hook pressure block	YR40030600000	62	Zipper II	BH13030300010

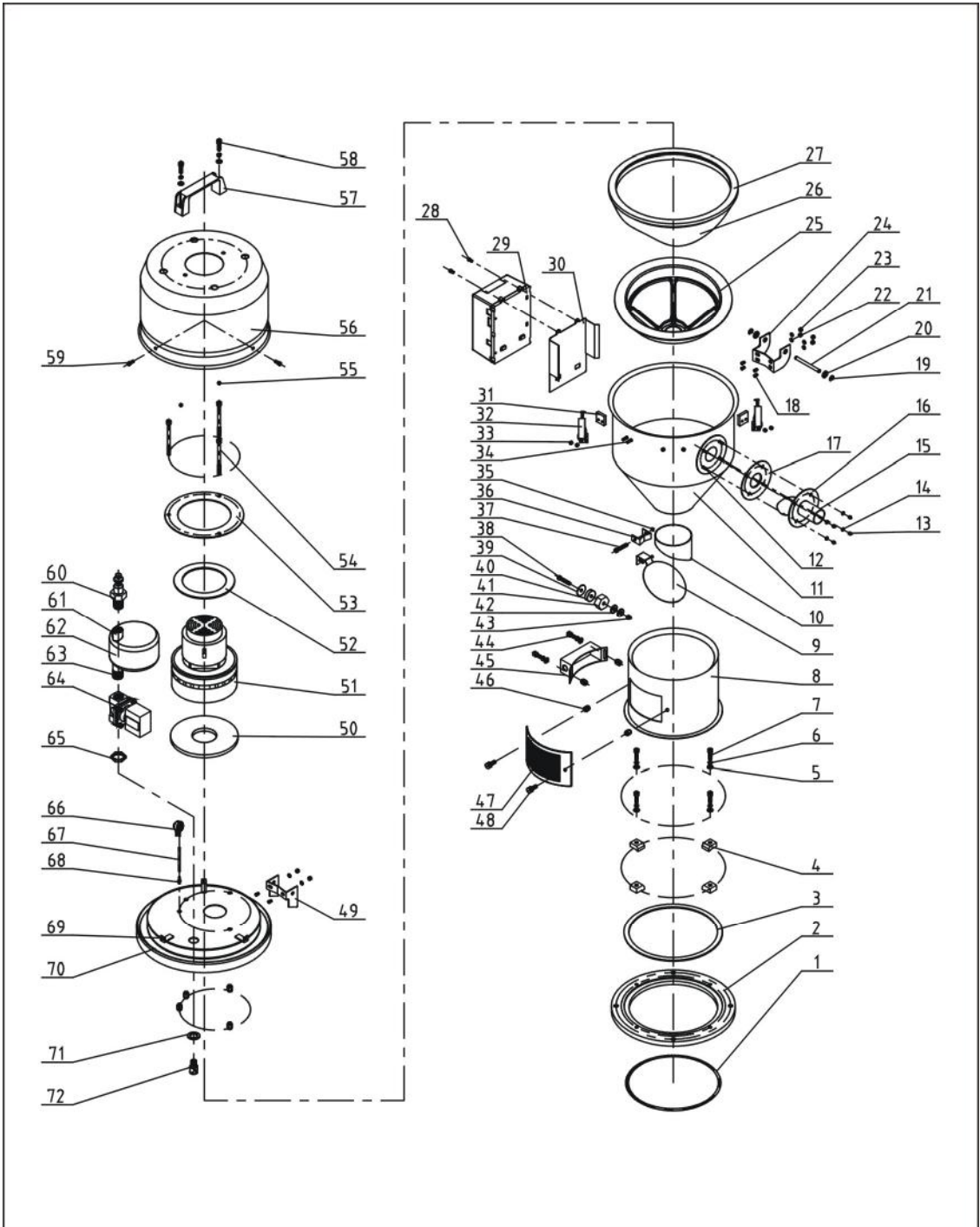
No.	Name	Part No.	No.	Name	Part No.
63	Solenoid valve*	YE32213000100	68	Motor outer hood fixed seat	BL21001501320
64	Pressure switch	BH12030400410	69	Hopper lid	BL20000600921
65	Pressure switch	YE15002000100	70	Mini-countersunk blind rivet screw M6	YW64060200000
66	Blue air pipe	YR60060400000	71	Gasket	BP62352100050
67	Connection nut	BH11103000010	72	High pressure air nozzle	BH13033000810

\* means possible broken parts.

\*\* means easy broken part. and spare backup is suggested.

Please confirm the version of manual before placing the purchase order to guarantee that the item number of the spare part is in accordance with the real object.

## 2.2.15 Assembly Drawing (SAL-6U-A)



Remarks: Please refer to material list 2.2.16 for specific explanation of the Arabic numbers in parts drawing.

Picture 2-11: Assembly Drawing (SAL-6U-A)

## 2.2.16 Parts List (SAL-6U-A)

Table 2-8: Parts List (SAL-6U-A)

No.	Name	Part No.	No.	Name	Part No.
1	O-Type seal ring	YR20205500000	27	Hopper packing*	YR10000600200
2	Base	YW20006000000	28	Cross socket head cap screw M4×6	YW63040600000
3	Base packing	-	29	Snap hook pressure block	YR40030600000
4	Pressure block	YW20000600500	30	Snap hook **	-
5	Spring washer	YW65006000100	31	Loose-proof nut	YR40000600300
6	Flat washer	YW66061300000	32	Electric controlled box base	YW02003000400
7	Inner hexagon screw	YW61062000300	33	Electric controlled box	YW64040700100
8	Hopper fixed base	BL21000600020	34	Thick-headed screw	YW69041500100
9	Baffle plate	-	35	Loose-proof nut M3	YW64000300000
10	Mouth of the baffle plate	BL21000600720	36	Baffle plate fixed base	BL20000601220
11	Material storage bucket	-	37	Cross socket head cap screw M3×40	YW63034000000
12	Screw M4×10	YW69041000000	38	Cross socket head cap screw M6×20	YW63062000000
13	Loose-proof nut M4×0.7	YW64040700100	39	Magnet lid	BL21000600120
14	Flat washer Φ4	YW66040800000	40	Permanent magnet	YW90257700000
15	Material inputting pipe	-	41	Magnet shield	BH12000600010
16	Material inputting pipe fixed piece	-	42	Flat washer Φ8×22	YW66082200100
17	Material inputting pipe packing	-	43	Loose-proof nut M6	YW64000600200
18	Screw M5×10	YW64040700100	44	Inner hexagon screw M6×10	YW63061000000
19	E Type washer	YW66000500000	45	Sensor shell	YR40000600100
20	Flat washer	YW66082200100	46	Mini-countersunk blind rivet screw M6	YW64060200000
21	Hinge pin	BH10006003110	47	Ventilation window	YR40000600500
22	Flat washer	YW66051000100	48	Double offset ring spanner	YR40061500000
23	Loose-proof nut	YW64000500000	49	Upper hinge	BL32000600240
24	Low hinge	BL32000600140	50	Motor packing (lower)	YR10070000000
25	Filtering cloth split washer**	YR40006000000	51	Carbon brush motor*	YM30965600000
26	Hop-pocket **	BP82006000044	52	Motor packing (upper)	YP62141200000

No.	Name	Part No.	No.	Name	Part No.
53	Motor fixed board	-	63	Connection nut 2	-
54	Inner hexagon screw M6×90	YW61069000100	64	Solenoid valve*	YE32213100000
55	Loose-proof nut M6	YW64000600200	65	Connection nut	-
56	Motor hood	YR40036000000	66	Pressure switch	YE15002000100
57	Inner hexagon screw	BW20012000040	67	Blue air pipe	YR60060400000
58	L120 Square aluminum handle	YW61062000300	68	Pressure switch connector	-
59	Inner hexagon screw M6×20	YW62051500000	69	Motor outer hood fixed seat	-
60	Cross socket head cap screw M5×15	YW80031400000	70	Hopper lid	-
61	Connection nut 1	-	71	Gasket	BP62352100050
62	Air accumulator	-	72	High pressure air nozzle	-

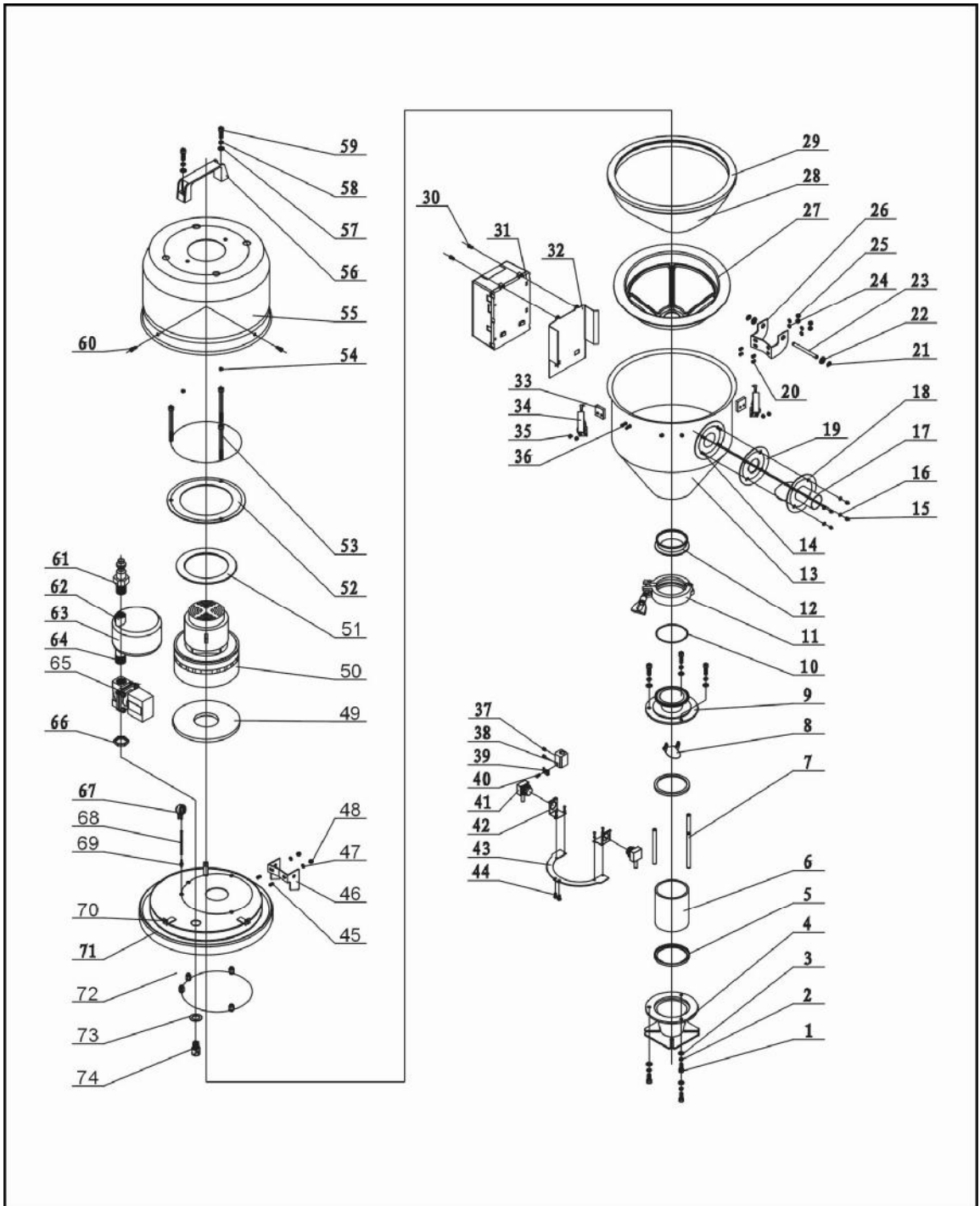
\* means possible broken parts.

\*\* means easy broken part. and spare backup is suggested.

Please confirm the version of manual before placing the purchase order to guarantee that the item number of the spare part is in accordance with the real object.



## 2.2.17 Assembly Drawing (SAL-6U-EA)



Remarks: Please refer to material list 2.2.18 for specific explanation of the Arabic numbers in parts drawing.

Picture 2-12: Assembly Drawing (SAL-6U-EA)

## 2.2.18 Parts List (SAL-6U-EA)

Table 2-9: Parts List (SAL-6U-EA)

No.	Name	Part No.	No.	Name	Part No.
1	Inner hexagon screw	YW61061600300	33	Loose-proof nut	YR40000600300
2	Spring washer	YW65006000000	34	Electric controlled box base	YW02003000400
3	Flat washer $\Phi 6 \times 13$	YW66061300000	35	Electric controlled box	YW64040700100
4	Glass pipe lower flange	YW32000600000	36	Thick-headed screw	YW69041500100
5	Glass pipe packing	YR10060200000	37	Stop screw	YW68004500000
6	Glass pipe**	YW70908000000	38	Magic eye fixed housing	YW20061500000
7	Flange connection shaft	BH10101100010	39	Magic eye liner pressure block	BL21000610020
8	Non-return flap*	BL21000600820	40	Screw	YW63041000000
9	Glass pipe upper flange	YW32000600200	41	Magic eye	YE15143900000
10	O-type seal ring	YR20802600000	42	Magic eye fixed housing	-
11	Food connector	YW07000300000	43	Magic eye fixed piece	BL21061200020
12	Hopper flange	YW32000600100	44	Screw	YW63041000000
13	Material storage bucket	BL21000602920	45	Screw	YW64040700100
14	Screw	YW69041000000	46	Upper hinge	BL32000600220
15	Loose-proof nut	YW64040700100	47	Flat washer	YW66040800000
16	Flat washer $\Phi 4 \times 8$	YW66040800000	48	Loose-proof nut	YW64000500000
17	Material inputting pipe	BL32333600020	49	Motor packing (upper)	YR10070000000
18	Material inputting pipe fixed piece	BL21000602520	50	Carbon brush motor*	YM30965600000
19	Material inputting pipe packing	YR10150300000	51	Motor packing (low)	YP62141200000
20	Screw M5 $\times$ 10	YW64040700100	52	Motor fixed board	BL21000300420
21	E Type washer	YW63051000000	53	Inner hexagon screw	YW61069000100
22	Flat washer $\Phi 8 \times 22$	YW66082200100	54	Screw	YW64000600200
23	Hinge pin	BH10006003110	55	Motor outer hood	YR40033000000
24	Flat washer $\Phi 5 \times 10$	YW66051000100	56	L120 Square aluminum handle	BW20012000040
25	Loose-proof nut M5	YW64000500000	57	Inner hexagon screw	YW61062000300
26	Low hinge	BL32000600120	58	Spring washer	YW65006000000
27	Filtering cloth split washer**	YR40003000100	59	Flat washer	YW66061300000
28	Hop-pocket **	BP82003000044	60	Lentil head screw	YW62051500000
29	Hopper packing*	YR10000300100	61	Celerity connector	YW80031400000
30	Screw	YW63040600000	62	Zipper II	-
31	Snap hook pressure block	YR40030600000	63	Air accumulator	BL21000601420
32	Snap hook **	BL21000602020	64	Connection	BH12030400410

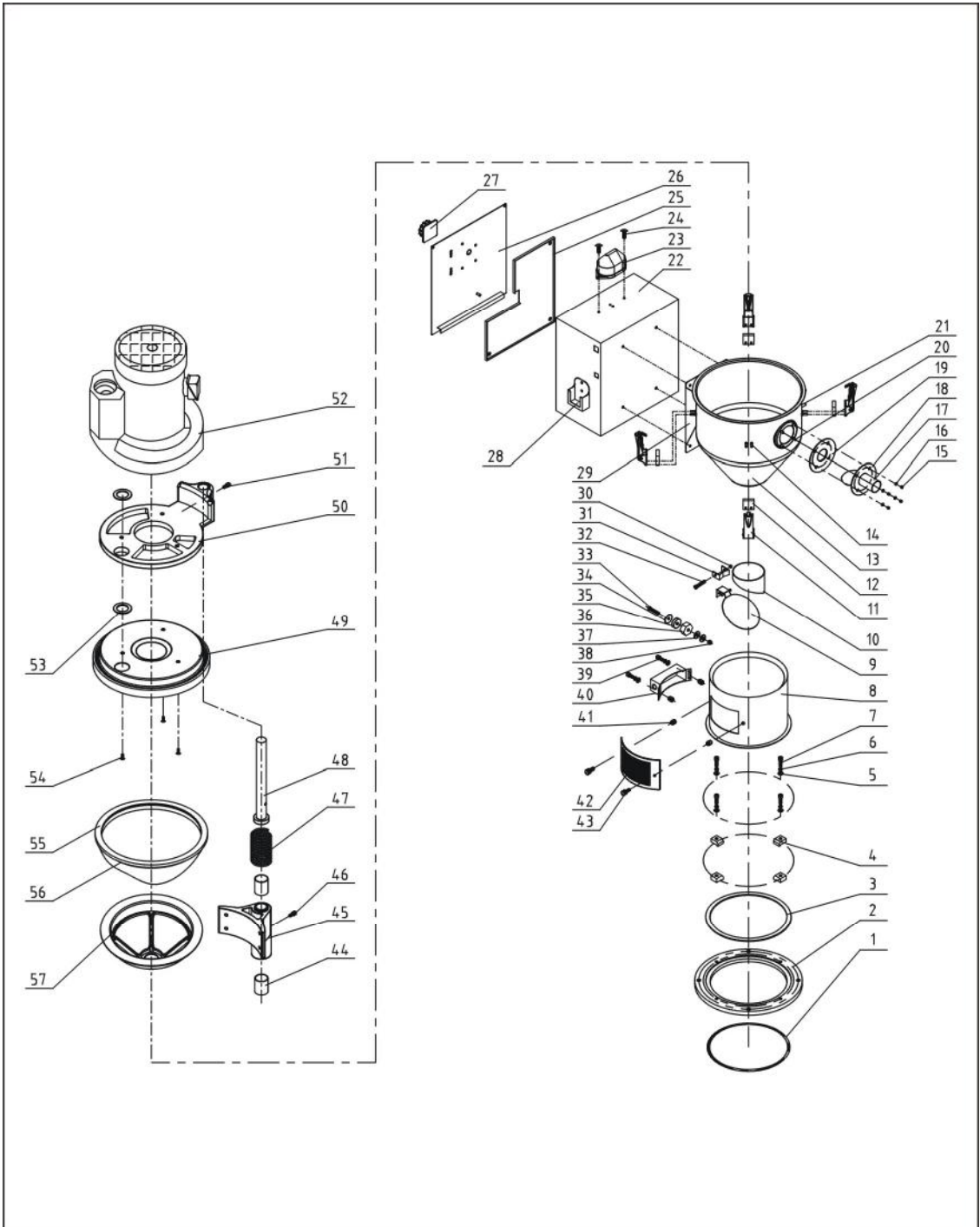
No.	Name	Part No.	No.	Name	Part No.
65	Solenoid valve*	YE32213000100	70	Motor outer hood fixed seat	BH10063200040
66	Pressure switch	-	71	Hopper lid	BL20000600921
67	Pressure switch	YE15002000100	73	Gasket	YW64060200000
68	Blue air pipe	YR60060400000	74	High pressure air nozzle	BP62352100050
69	Connection nut I	BH11103000010			

\* means possible broken parts.

\*\* means easy broken part. and spare backup is suggested.

Please confirm the version of manual before placing the purchase order to guarantee that the item number of the spare part is in accordance with the real object.

## 2.2.19 Assembly Drawing (SAL-6U-3)



Remarks: Please refer to material list 2.2.20 for specific explanation of the Arabic numbers in parts drawing.

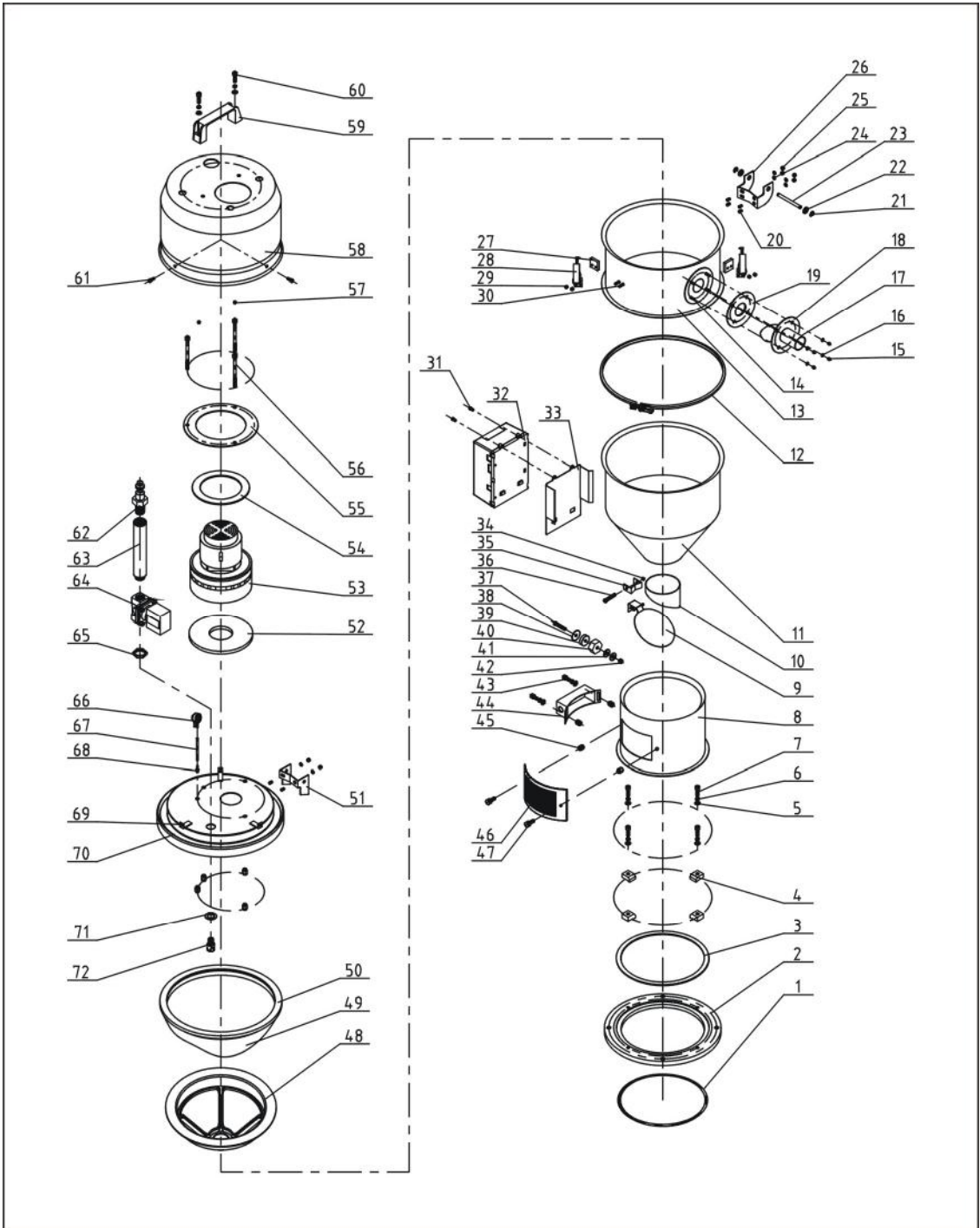
Picture 2-13: Assembly Drawing (SAL-6U-3)

## 2.2.20 Parts List (SAL-6U-3)

Table 2-10: Parts List (SAL-6U-3)

No.	Name	Part No.	No.	Name	Part No.
1	O-Type seal ring	YR20205500000	30	Screw M3	YW64000300000
2	Base	YW20006000000	31	Baffle plate fixed base	BL20000601220
3	Base packing	-	32	Cross socket head cap screw M3×40	YW63034000000
4	Pressure block	YW20000600500	33	Cross socket head cap screw M6×20	YW63062000000
5	Spring washer M6	YW65006000000	34	Magnet shield	BL21000600120
6	Flat washer Φ6×13	YW66061300000	35	Permanent magnet	YW60257700000
7	Inner hexagon screw	YW61062000300	36	Magnet lid	BH12000600010
8	Hopper fixed base	BL21000600020	37	Flat washer 8×22	YW66082200100
9	Baffle plate	-	38	Screw M6	YW64000600200
10	Mouth of the baffle plate	BL21000600720	39	Inner hexagon screw M6×10	YW63061000000
11	Snap hook **	YW02003000400	40	Sensor shell	YR40000600100
12	Pressure block	YR40000600300	41	Mini-countersunk blind rivet screw M6	YW64060200000
13	Material storage bucket	-	42	Ventilation window	YR40000600500
14	Screw M4×15	YW69041500100	43	Double offset ring spanner	YR40061500000
15	Screw	YW64040700100	44	Shaft sleeve	YW11253000000
16	Flat washer Φ4	YW66040800000	45	Installation base	BW21030300010
17	Material inputting pipe	-	46	Guide pin	BH11000300000
18	Material inputting pipe fixed piece	-	47	Spring	-
19	Material inputting pipe packing	-	48	Shaft	BH10060300040
20	Screw M4×10	YW69041000000	49	Hopper lid	BL21060300020
21	Screw M6×20	-	50	Rotation flange	BW21030300100
22	Electric controlled box	-	51	Screw M5×15	YM30965600000
23	Alarm light	YE83305100200	52	Blower*	YM30032900000
24	Cross socket head cap screw M4×6	YW63040600000	53	Motor suction mouth packing	YR10001000000
25	Control base board	-	54	Cross socket head cap screw M5×25	YW62052500000
26	Electric controlled box lid	-	55	Hopper packing*	YR10000300100
27	Main power switch	YE10210300000	56	Hop-pocket **	BP82003000044
28	Handle box	-	57	Filtering cloth split washer**	YR45003000100
29	Electric controlled box base	-			

## 2.2.21 Assembly Drawing (SAL-12U)



Remarks: Please refer to material list 2.2.22 for specific explanation of the Arabic numbers in parts drawing.

Picture 2-14: Assembly Drawing (SAL-12U)

## 2.2.22 Parts List (SAL-12U)

Table 2-11: Parts List (SAL-12U)

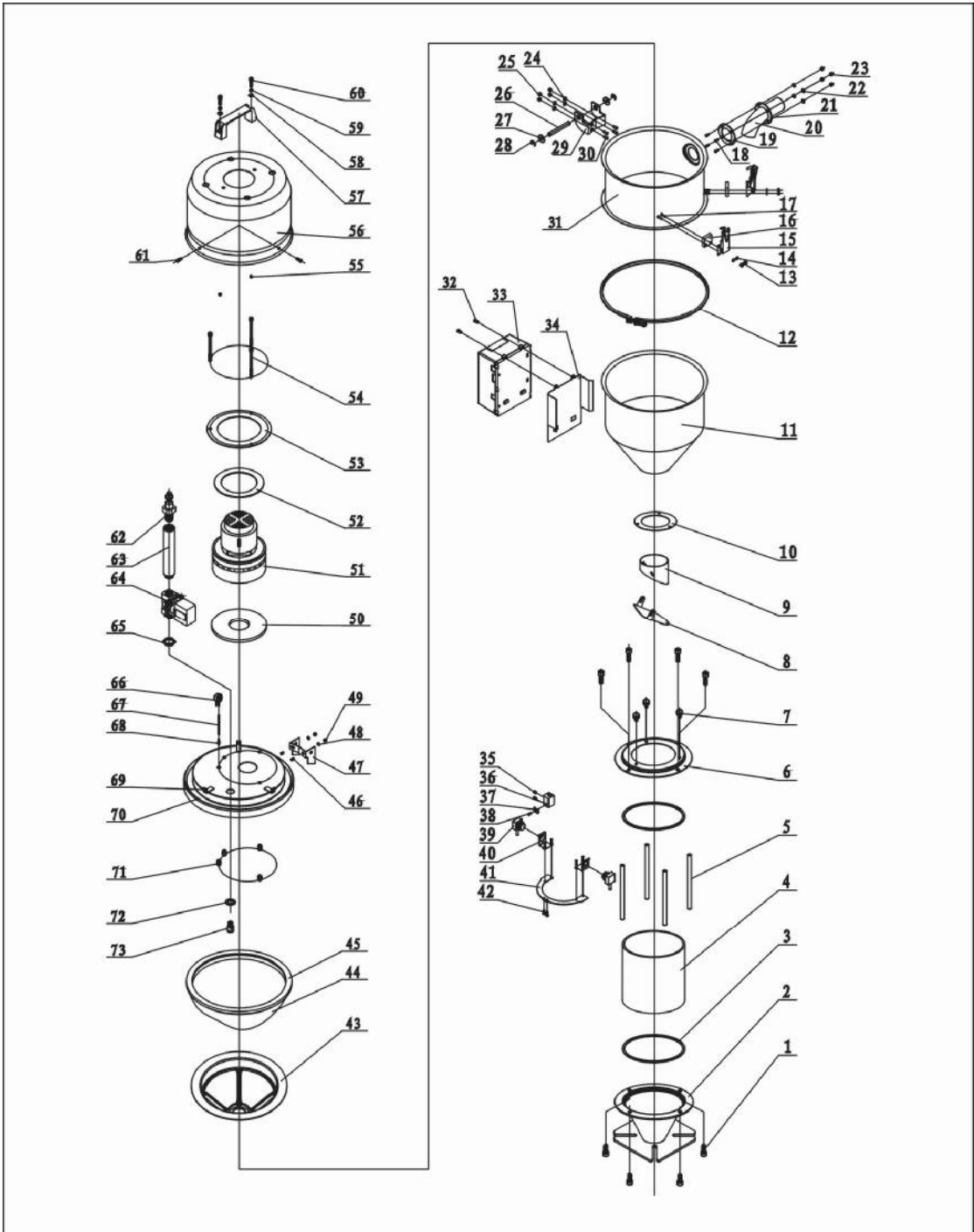
No.	Name	Part No.	No.	Name	Part No.
1	O-Type seal ring	YR20205500000	30	Screw M4×15	YW69041500100
2	Base	YW20006000000	31	Cross socket head cap screw M4×6	YW63040600000
3	Base packing	-	32	Electrical control box	YR40030600000
4	Pressure block	YW20000600500	33	Electrical control box base	-
5	Spring washer	YW65006000100	34	Lockup nut M3	YW64000300000
6	Flat washer	YW66061300000	35	Fixed base of discharging plate	BL20000601220
7	Inner hexagon screw	YW61062000300	36	Cross socket head cap screw M3×40	YW63034000000
8	Hopper fixed base	BL21000600020	37	Cross socket head cap screw M6×20	YW63062000000
9	Baffle plate	-	38	Magnet shield	BL21000600120
10	Mouth of the baffle plate	BL21000600720	39	Permanent magnet	YW90257700000
11	Material storage tank	-	40	Magnet shield	BH12000600010
12	Tube bundle		41	Flat washer Φ8×22	YW66082200100
13	Enlarged material tank		42	Loose-proof nut M6	YW64000600200
14	Screw M4×10	YW69041000000	43	Inner hexagon screw M6×10	YW63061000000
15	Loose-proof nut M4×0.7	YW64040700100	44	Sensor shell	YR40000600100
16	Flat washer Φ4	YW66040800000	45	Mini-countersunk blind rivet screw M6	YW64060200000
17	Material inputting pipe	-	46	Ventilation window	YR40000600500
18	Material inputting pipe fixed piece	-	47	Double offset ring spanner	YR40061500000
19	Material inputting pipe packing	-	48	Filtering cloth split washer**	YR40006000000
20	Screw M5×10	YW64040700100	49	Hop-pocket **	BP82006000044
21	E Type washer	YW66000500000	50	Hopper packing*	YR10000600200
22	Flat washer	YW66082200100	51	Upper hinge	BL32000600240
23	Hinge pin	BH10006003110	52	Motor packing (lower)	YR10070000000
24	Flat washer	YW66051000100	53	Carbon brush motor*	YM30965600000
25	Loose-proof nut	YW64000500000	54	Motor packing (upper)	YP62141200000
26	Low hinge	BL32000600140	55	Motor fixed board	-
27	Snap hook pressure block	YR40000600300	56	Inner hexagon screw M6×90	YW61069000100
28	Snap hook	YW02003000400	57	Lockup nut M6	YW64000600200
29	Lockup nut M4×0.7	YW64040700100	58	Motor hood	YR40036000000

No.	Name	Part No.	No.	Name	Part No.
59	L120 Square aluminum handle	BW20012000040	66	Pressure switch	YE15002000100
60	Inner hexagon screw M6×20	YW61062000300	67	Blue air pipe	YR60060400000
61	Cross socket head cap screw M5×15	YW62051500000	68	Pressure switch connector	-
62	Celerity connector	YW80031400000	69	Motor outer hood fixed seat	-
63	Connector II	-	70	Hopper lid	-
64	Solenoid valve*	YE32213100000	71	Gasket	BP62352100050
65	Connection nut	-	72	High pressure air nozzle	-

\* means possible broken parts. \*\* means easy broken part. and spare backup is suggested. Please confirm the version of manual before placing the purchase order to guarantee that the item number of the spare part is in accordance with the real object.



### 2.2.23 Assembly Drawing (SAL-12U-E)



Remarks: Please refer to material list 2.2.24 for specific explanation of the Arabic numbers in parts drawing.

Picture 2-15: Assembly Drawing (SAL-12U-E)

## 2.2.24 Parts List (SAL-12U-E)

Table 2-12: Parts List (SAL-12U-E)

No.	Name	Part No.	No.	Name	Part No.
1	Inner hexagon screw	YW61061600300	31	Enlarged material tank	BL21001200621
2	Glass tube lower flange	YW32000600000	32	Cross socket head cap screw	YW63040600000
3	Glass pipe packing	YR10060200000	33	Snap hook pressure block	YR40030600000
4	Glass tube*	YW70908000000	34	Control box base	BL21000602020
5	Flange connection shaft	BH10101100010	35	Screw	YW68004500000
6	Glass pipe upper flange	YW32000600200	36	Photoelectrical switch fixed base	YW20061500000
7	Plastic head screw	YW69621600000	37	Photoelectrical switch fixed block	BL21001210020
8	Non-return flap*	BL21000600820	38	Cross socket head cap screw	YW63041000000
9	Mouth of the baffle plate	BL27001200720	39	Photoelectrical switch	YE15143900000
10	Hopper flange	YW32000600100	40	Photoelectrical switch fixed base	-
11	Material storage bucket	BL21001200820	41	Photoelectrical switch fixed block	BL21001200120
12	Tube bundle	BH11120400010	42	Cross socket head cap screw	YW63041000000
13	Loose-proof nut	YW64040700100	43	Filtering cloth split washer**	YR40006000000
14	Flat washer $\Phi 4 \times 8$	YW66040800000	44	Hop-pocket **	BP82006000044
15	Snap hook	YW02003000400	45	Hopper packing*	YR10000600200
16	Buffering pad	YR40000600300	46	Loose-proof nut	YW64040700100
17	Thick-headed screw	YW69041500100	47	Upper hinge	BL32000600220
18	Thick-headed screw	YW69041000000	48	Flat washer	YW66040800000
19	Material inputting pipe	YR10061200000	49	Screw	YW64000500000
20	Material inputting pipe fixed piece	BL32001500020	50	Motor packing (lower)	YR10070000000
21	Material inputting pipe packing	BL20036000320	51	Carbon brush motor*	YM30965600000
22	Flat washer	YW66040800000	52	Motor packing (upper)	YP62141200000
23	Loose-proof nut	YW64040700100	53	Motor fixed board	BL21000300420
24	Flat washer	YW66051000100	54	Inner hexagon screw	YW61069000100
25	Loose-proof nut	YW64000500000	55	Sensor shell	YW64000600200
26	Hinge pin	BH10006003110	56	Motor outer hood	YR40036000000
27	Flat washer	YW66082200100	57	L120 Square aluminum handle	BW20012000040
28	E-rings	YW63051000000	58	Inner hexagon screw	YW61062000300
29	Low hinge	BL32000600120	59	Spring washer	YW65006000000
30	Loose-proof nut	YW64040700100	60	Flat washer	YW66061300000

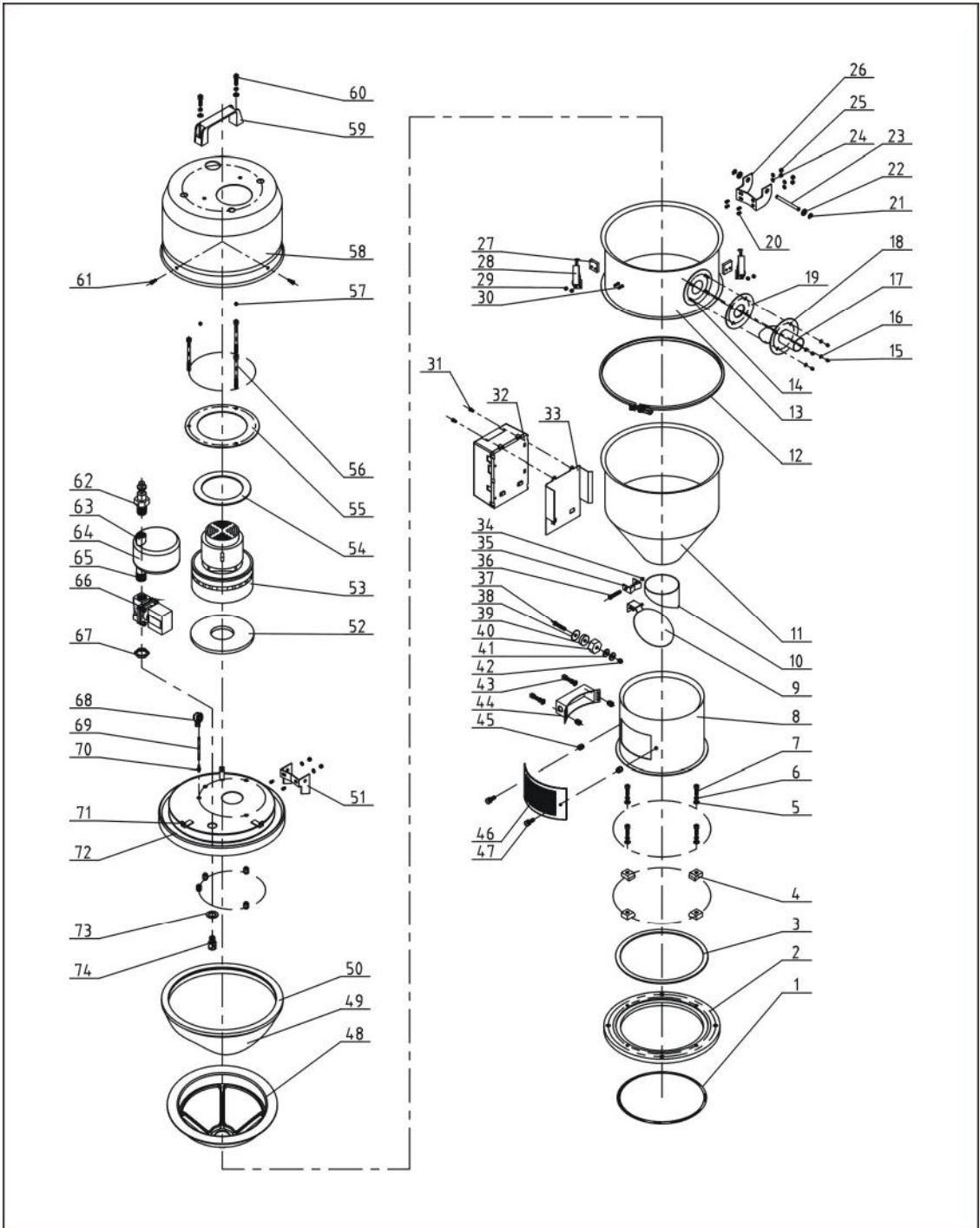
No.	Name	Part No.	No.	Name	Part No.
61	Flat washer	YW62051500000	68	Pressure switch connector	BH11103000010
62	Celerity connector	YW80031400000	69	Motor outer hood fixed seat	BH10063200040
63	Connector II	BH13030300010	70	Hopper lid	BL22001200721
64	Solenoid valve*	YE32213000100	71	Mini-countersunk blind rivet screw	YW64060200000
65	Connection nut	BH12030400410	72	Gasket	BP62352100050
66	Pressure switch	YE15002000100	73	High pressure air nozzle	BH13033000810
67	Blue air pipe	YR60060400000			

\* means possible broken parts.

\*\* means easy broken part. and spare backup is suggested.

Please confirm the version of manual before placing the purchase order to guarantee that the item number of the spare part is in accordance with the real object.

## 2.2.25 Assembly Drawing (SAL-12U-A)



Remarks: Please refer to material list 2.2.26 for specific explanation of the Arabic numbers in parts drawing.

Picture 2-16: Assembly Drawing (SAL-12U-A)

## 2.2.26 Parts List (SAL-12U-A)

Table 2-13: Parts List (SAL-12U-A)

No.	Name	Part No.	No.	Name	Part No.
1	O-Type seal ring	YR20205500000	31	Cross socket head cap screw M4×6	YW63040600000
2	Base	YW20006000000	32	Electrical control box	YR40030600000
3	Base packing	-	33	Electrical control box base	-
4	Pressure block	YW20000600500	34	Lockup nut M3	YW64000300000
5	Spring washer	YW65006000100	35	Fixed base of discharging plate	BL20000601220
6	Flat washer	YW66061300000	36	Cross socket head cap screw M3×40	YW63034000000
7	Inner hexagon screw	YW61062000300	37	Cross socket head cap screw M6×20	YW63062000000
8	Hopper fixed base	BL21000600020	38	Magnet shield	BL21000600120
9	Baffle plate	-	39	Permanent magnet	YW90257700000
10	Mouth of the baffle plate	BL21000600720	40	Magnet shield	BH12000600010
11	Material storage tank	-	41	Flat washer Φ8×22	YW66082200100
12	Tube bundle		42	Loose-proof nut M6	YW64000600200
13	Enlarged material tank		43	Inner hexagon screw M6×10	YW63061000000
14	Screw M4×10	YW69041000000	44	Sensor shell	YR40000600100
15	Loose-proof nut M4×0.7	YW64040700100	45	Mini-countersunk blind rivet screw M6	YW64060200000
16	Flat washer Φ4	YW66040800000	46	Ventilation window	YR40000600500
17	Material inputting pipe	-	47	Double offset ring spanner	YR40061500000
18	Material inputting pipe fixed piece	-	48	Filtering cloth split washer**	YR40006000000
19	Material inputting pipe packing	-	49	Hop-pocket **	BP82006000044
20	Screw M5×10	YW64040700100	50	Hopper packing*	YR10000600200
21	E Type washer	YW66000500000	51	Upper hinge	BL32000600240
22	Flat washer	YW66082200100	52	Motor packing (lower)	YR10070000000
23	Hinge pin	BH10006003110	53	Carbon brush motor*	YM30965600000
24	Flat washer	YW66051000100	54	Motor packing (upper)	YP62141200000
25	Loose-proof nut	YW64000500000	55	Motor fixed board	-
26	Low hinge	BL32000600140	56	Inner hexagon screw M6×90	YW61069000100
27	Snap hook pressure block	YR40000600300	57	Lockup nut M6	YW64000600200
28	Snap hook	YW02003000400	58	Motor hood	YR40036000000
29	Lockup nut M4×0.7	YW64040700100	59	L120 Square aluminum handle	BW20012000040
30	Screw M4×15	YW69041500100	60	Inner hexagon screw M6×20	YW61062000300

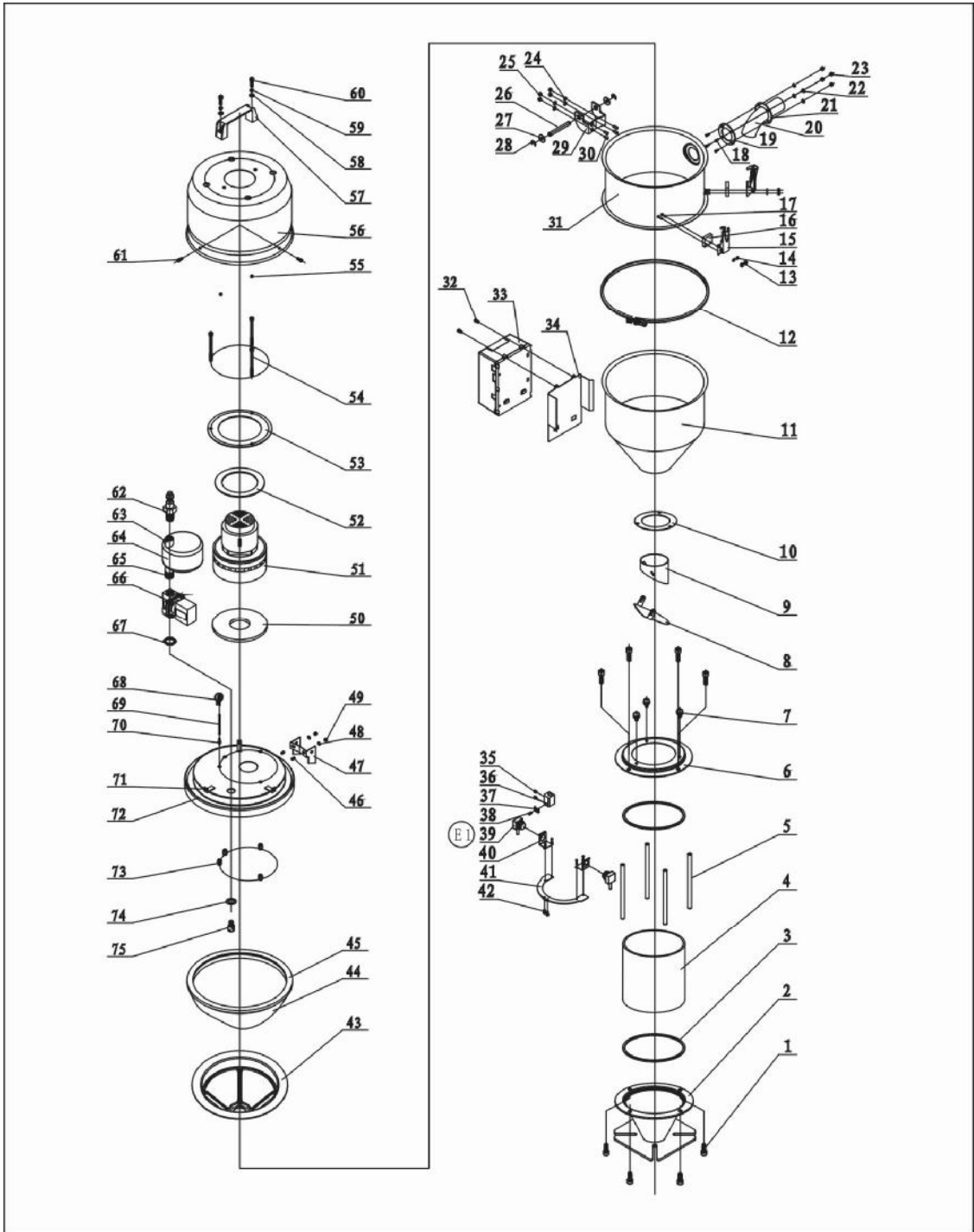
No.	Name	Part No.	No.	Name	Part No.
61	Cross socket head cap screw M5×15	YW62051500000	68	Pressure switch	YE15002000100
62	Celerity connector	YW80031400000	69	Blue air pipe	YR60060400000
63	Connection nut 1	--	70	Pressure switch connector	-
64	Air accumulator	-	71	Motor outer hood fixed seat	-
65	Connection nut 2	-	72	Hopper lid	-
66	Solenoid valve*	YE32213100000	73	Gasket	BP62352100050
67	Connection nut	-	74	High pressure air nozzle	-

\* means possible broken parts.

\*\* means easy broken part. and spare backup is suggested.

Please confirm the version of manual before placing the purchase order to guarantee that the item number of the spare part is in accordance with the real object.

## 2.2.27 Assembly Drawing (SAL-12U-EA)



Remarks: Please refer to material list 2.2.26 for specific explanation of the Arabic numbers in parts drawing.

Picture 2-17: Assembly Drawing (SAL-12U-EA)

## 2.2.28 Parts List (SAL-12U-EA)

Table 2-14: Parts List (SAL-12U-EA)

No.	Name	Part No.	No.	Name	Part No.
1	Inner hexagon screw	YW61061600300	31	Enlarged material tank	BL21001200621
2	Spring washer	YW32000600000	32	Cross socket head cap screw	YW63040600000
3	Flat washer $\Phi 6 \times 13$	YR10060200000	33	Snap hook pressure block	YR40030600000
4	Glass pipe lower flange	YW70908000000	34	Control box base	BL21000602020
5	Glass pipe packing	BH10101100010	35	Screw	YW68004500000
6	Glass pipe**	YW32000600200	36	Photoelectrical switch fixed base	YW20061500000
7	Flange connection shaft	YW69621600000	37	Photoelectrical switch fixed block	BL21001210020
8	Non-return flap*	BL21000600820	38	Cross socket head cap screw	YW63041000000
9	Glass pipe upper flange	BL27001200720	39	Photoelectrical switch	YE15143900000
10	O-type seal ring	YW32000600100	40	Photoelectrical switch fixed base	-
11	Food connector	BL21001200820	41	Photoelectrical switch fixed block	BL21001200120
12	Hopper flange	BH11120400010	42	Cross socket head cap screw	YW63041000000
13	Material storage bucket	YW64040700100	43	Filtering cloth split washer**	YR40006000000
14	Screw	YW66040800000	44	Hop-pocket **	BP82006000044
15	Loose-proof nut	YW02003000400	45	Hopper packing*	YR10000600200
16	Flat washer $\Phi 4 \times 8$	YR40000600300	46	Loose-proof nut	YW64040700100
17	Material inputting pipe	YW69041500100	47	Upper hinge	BL32000600220
18	Material inputting pipe fixed piece	YW69041000000	48	Flat washer	YW66040800000
19	Material inputting pipe packing	YR10061200000	49	Screw	YW64000500000
20	Screw M5 $\times$ 10	BL32001500020	50	Motor packing (lower)	YR10070000000
21	E Type washer	BL20036000320	51	Carbon brush motor*	YM30965600000
22	Flat washer $\Phi 8 \times 22$	YW66040800000	52	Motor packing (upper)	YP62141200000
23	Hinge pin	YW64040700100	53	Motor fixed board	BL21000300420
24	Flat washer $\Phi 5 \times 10$	YW66051000100	54	Inner hexagon screw	YW61069000100
25	Loose-proof nut M5	YW64000500000	55	Sensor shell	YW64000600200
26	Hinge pin	BH10006003110	56	Motor outer hood	YR40036000000
27	Flat washer	YW66082200100	57	L120 Square aluminum handle	BW20012000040
28	E-rings	YW63051000000	58	Inner hexagon screw	YW61062000300
29	Low hinge	BL32000600120	59	Spring washer	YW65006000000
30	Loose-proof nut	YW64040700100	60	Flat washer	YW66061300000



No.	Name	Part No.	No.	Name	Part No.
61	Flat washer	YW62051500000	69	Blue air pipe	YR60060400000
62	Celerity connector	YW80031400000	70	Pressure switch connector	BH11103000010
63	Connector II	BH13030300010	71	Motor outer hood fixed seat	BH10063200040
64	Air accumulator	BL21000601420	72	Hopper lid	BL22001200721
65	Connector I	BH12030400410	73	Mini-countersunk blind rivet screw	YW64060200000
66	Solenoid valve*	YE32213000100	74	Gasket	BP62352100050
67	Connection nut	-	75	High pressure air nozzle	BH13033000810
68	Pressure switch	YE15002000100			

\* means possible broken parts.

\*\* means easy broken part. and spare backup is suggested.

Please confirm the version of manual before placing the purchase order to guarantee that the item number of the spare part is in accordance with the real object.