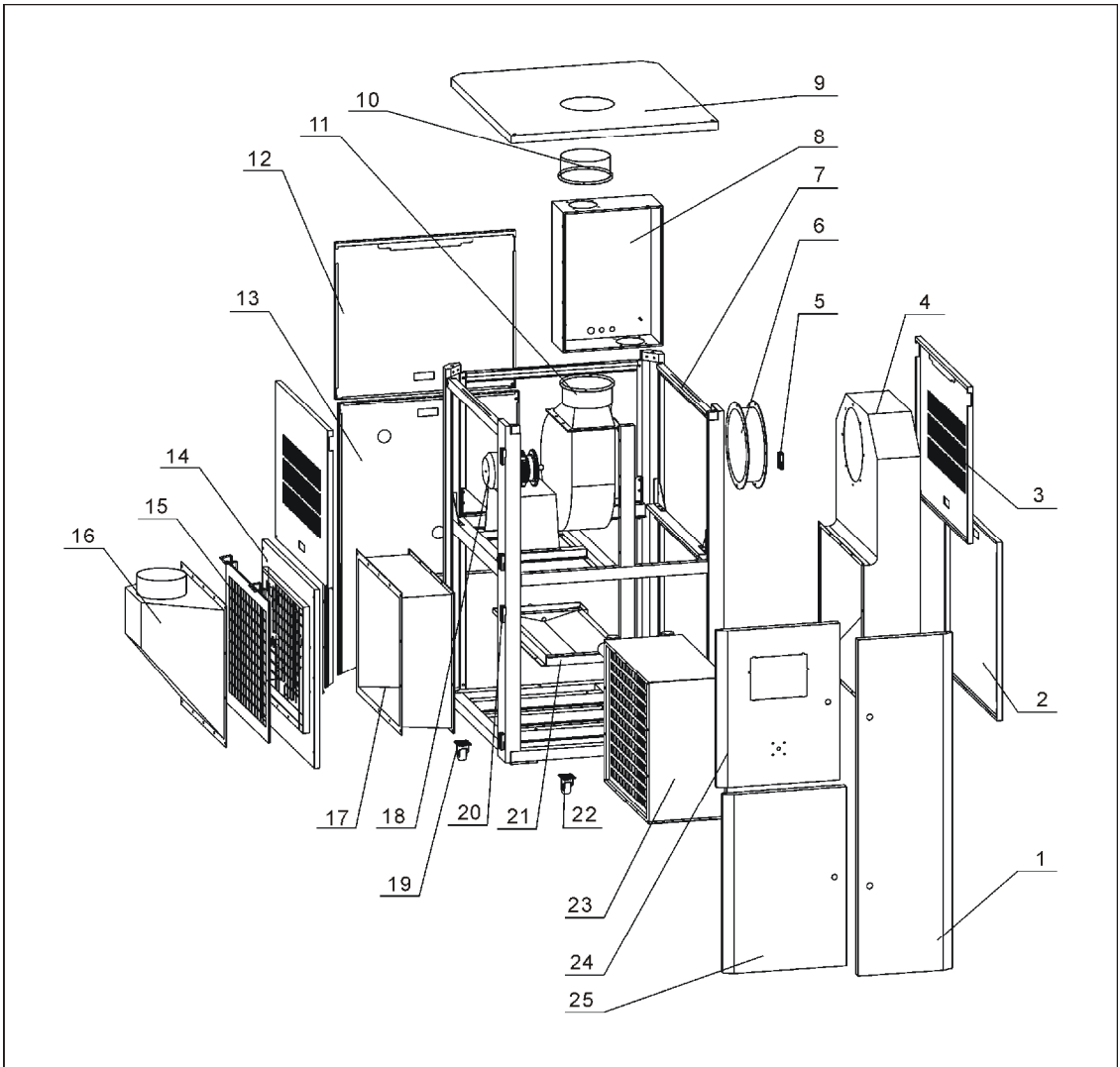


## 2.2.2 Assembly Drawing



Remarks: Please refer to material list 2.2.3 for specific explanation of Arabic numbers in parts drawing.

Picture 2-3: Assembly Drawing

## 2.2.3 Parts List

Table 2-1: Parts List

No.	Name	Part No.			
		SACC-1000	SACC-2000	SACC-3000	SACC-4000
1	Front right door plate	-	-	-	-
2	Lower right door plate	-	-	-	-
3	Upside door plate	-	-	-	-
4	Air collecting cover	-	-	-	-
5	Hinge right	YW06203100200	YW06203100200	YW06203100200	YW06203100200
6	Blower air-in flange	-	-	-	-
7	Stand assembly	-	-	-	-
8	Control cabinet	-	-	-	-
9	Top plate	-	-	-	-
10	Air outlet adapter	-	-	-	-
11	Air outlet pipe	-	-	-	-
12	Upper back door plate	-	-	-	-
13	Lower back door plate	-	-	-	-
14	Lower left door plate	-	-	-	-
15	Filter	-	-	-	-
16	Air collecting cover	-	-	-	-
17	Heat exchanger connector	-	-	-	-
18	Blower	-	-	-	-
19	Castor	YW03000400000	YW03000400000	YW03000400000	YW03000400000
20	Hinge left	YW06203100400	YW06203100400	YW06203100400	YW06203100400
21	Dew channel	-	-	-	-
22	Castor	YW03000400200	YW03000400200	YW03000400200	YW03000400200
23	Heat exchanger	-	-	-	-
24	Front upper door plate	-	-	-	-
25	Front lower door plate	-	-	-	-

\* means possible broken parts.

\*\* means easy broken part. and spare backup is suggested.

Please confirm the version of manual before placing the purchase order to guarantee that the item number of the spare part is in accordance with the real object.