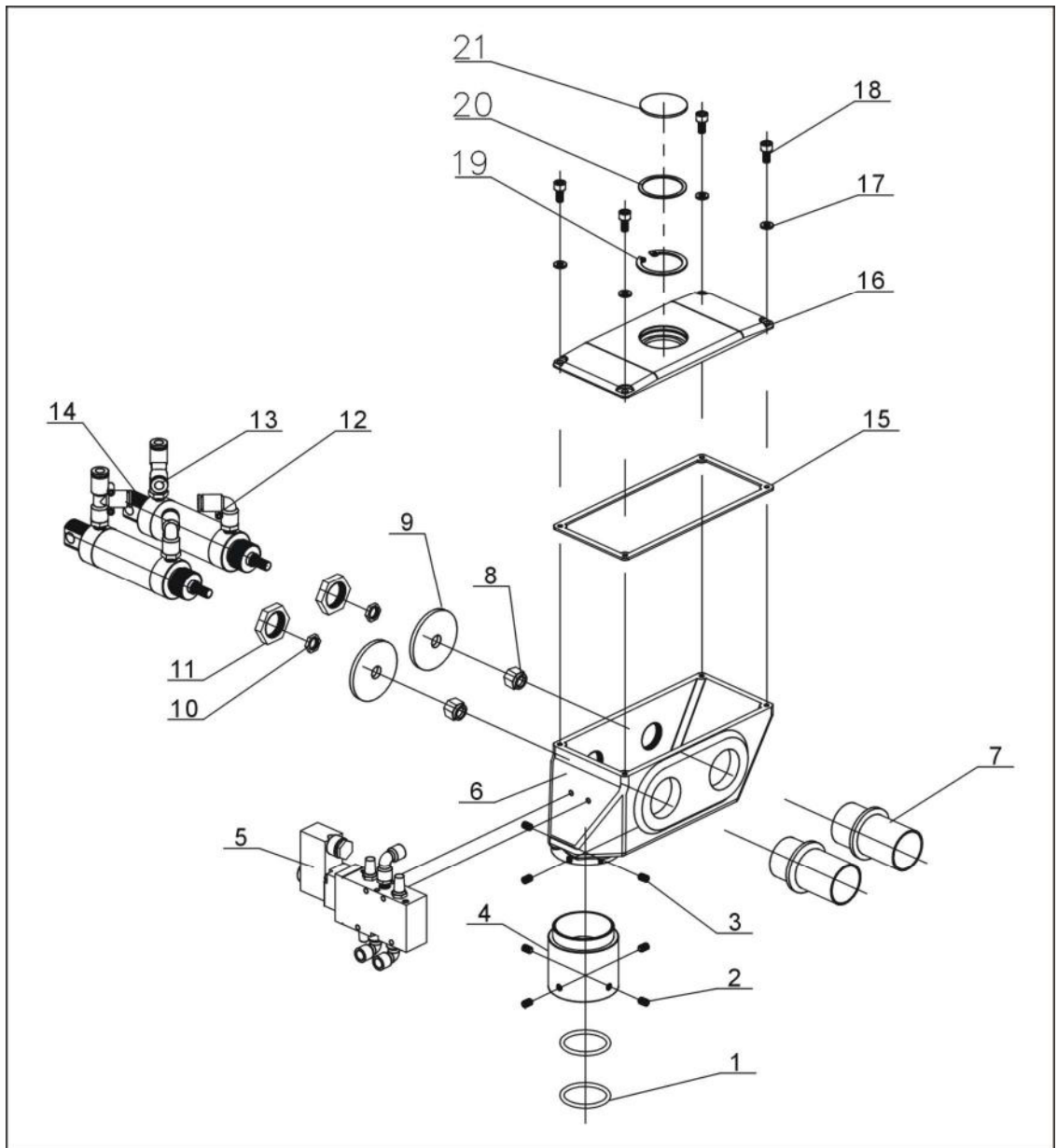


2.2 Drawing and Parts List

2.2.1 Assembly Drawing



Remarks: Please refer to material List 2.2.2 for specific explanation of the arabic numbers in parts drawing.

Picture 2-3: Assembly Drawing

2.2.2 Parts List

Table 2-1: Parts List

No.	Name	Part No.	
		SPV-38U-(C)	SPV-50U-(C)
1	O sealing ring*	YR20375300000	YR20375300000
2	Set screw M6×6	YW68006600000	YW68006600000
3	Set screw M5×5	YW68005500000	YW68005500000
4	Pipe sleeve for absorbing material	-	-
5	Solenoid valve	YE32051800300	YE32051800300
6	Proportional valve	-	-
7	Feed-in pipe	-	-
8	Lock nut M10×1.25	YW64001000000	YW64001000000
9	Diaphragm	-	-
10	Nut M10×1.25	-	-
11	Nut M22×1.25	-	-
12	Air pipe connector	YW80061800200	YW80061800200
13	Air pipe connector	YW80601800000	YW80601800000
14	Air tank	YE31255000000	YE31255000000
15	Valve cover fastener	YR10003000100	YR10003000100
16	Valve cover	BW20003800010	BW20003800010
17	Flat gasket	YW66051000000	YW66051000000
18	Socket screw M5×12	YW61051200000	YW61051200000
19	Circlip for shaft	YW69004200000	YW69004200000
20	Material observation window stringency	YR10423600000	YR10423600000
21	Glass lens	YW70415200000	YW70415200000

* means possible broken parts.

** means easy broken part. and spare backup is suggested.

Please confirm the version of manual before placing the purchase order to guarantee that the item number of the spare part is in accordance with the real object.