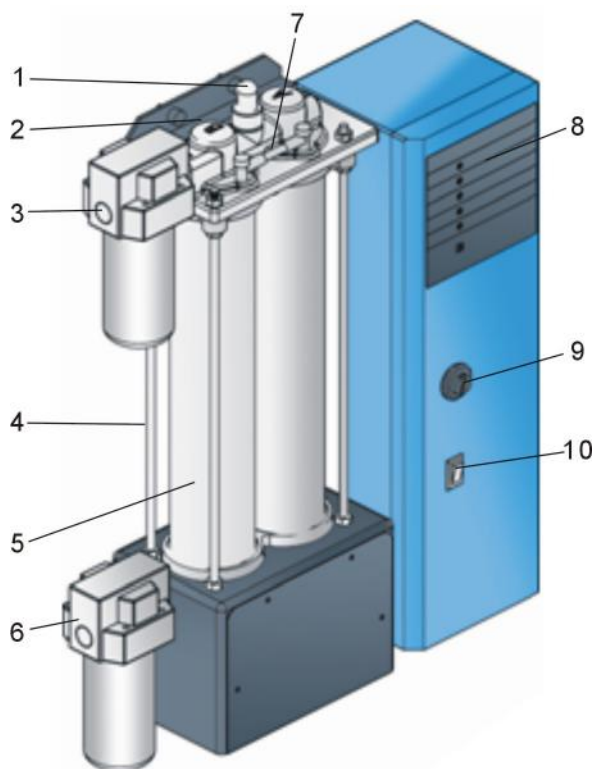


## 2.2 Parts Drawing

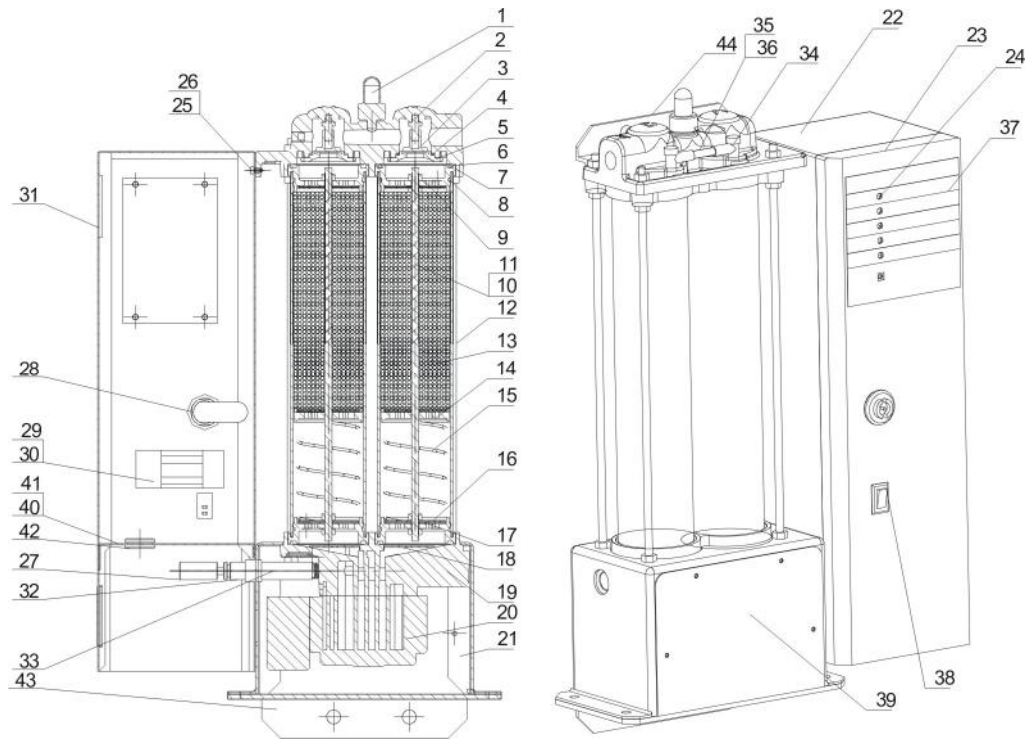
### 2.2.1 Components Diagram



- |                        |                  |                            |
|------------------------|------------------|----------------------------|
| 1. Dew point indicator | 2. Outlet head   | 3. Air outlet (air filter) |
| 4. Dual-head screw     | 5. Cartridge     | 6. Air inlet (oil filter)  |
| 8. Operation panel     | 9. Door chain    | 7. Orifice                 |
|                        | 10. Power switch |                            |

Picture 2-2: Components Diagram

## 2.2.2 Parts Drawing



Picture 2-3: Parts Drawing

## 2.2.3 Components List

Table 2-1: Components List (HAD0106-06)

No	Name	Stock Number	No	Name	Stock Number
1	Dew point indicator	-	23	Control box cover	-
2	Valve cover	-	24	Circuit board	-
3	Check valve	-	25	Flat head screw	-
4	O-ring (inner diameter is $\Phi 31$ , section diameter is $\Phi 2$ )	-	26	Inner hexagon screw	-
5	Air inlet fixed plate	-	27	Muffler	-
6	O-ring (inner diameter is $\Phi 60$ , section diameter is $\Phi 3$ )	-	28	Door lock with small barrier	-
7	Cartridge upper cover	-	29	Terminal block base fixing plate	-
8	O-ring (inner diameter is $\Phi 55$ , section diameter is $\Phi 2$ )	-	30	Terminal block base	-
9	Cartridge Sleeve	-	31	Stainless steel hinge	-
10	Dual-head screw	-	32	Female direct connector	-
11	Dual-head screw 01	-	33	Stainless steel pipe	-
12	Cartridge	-	34	Hexagon connector	-
13	Molecular sieve(4A)	YW61030600100	35	Copper air pipe	-
14	Inner sleeve of cartridge	-	36	Copper end cap	-
15	Spring $\Phi 50 \times 80$ (line diameter is $\Phi 2$ )	-	37	Operation panel	-
16	Silencing screener	-	38	Power switch	-
17	Cotton filter	-	39	Base side plate	-
18	Filter flapper	-	40	Cable seal ring	-
19	Cartridge lower cover	-	41	Cabinet cover partition	-
20	Solenoid valve	-	42	Cabinet cover partition 01	-
21	Base frame	-	43	Adapter plate 1	-
22	Control box base	-	44	Adapter plate	-

\* means possible broken parts.

\*\* means easily broken part, and spare backup is suggested.

Please confirm the version of manual before placing the purchase order to guarantee that the item number of the spare part is in accordance with the real object.