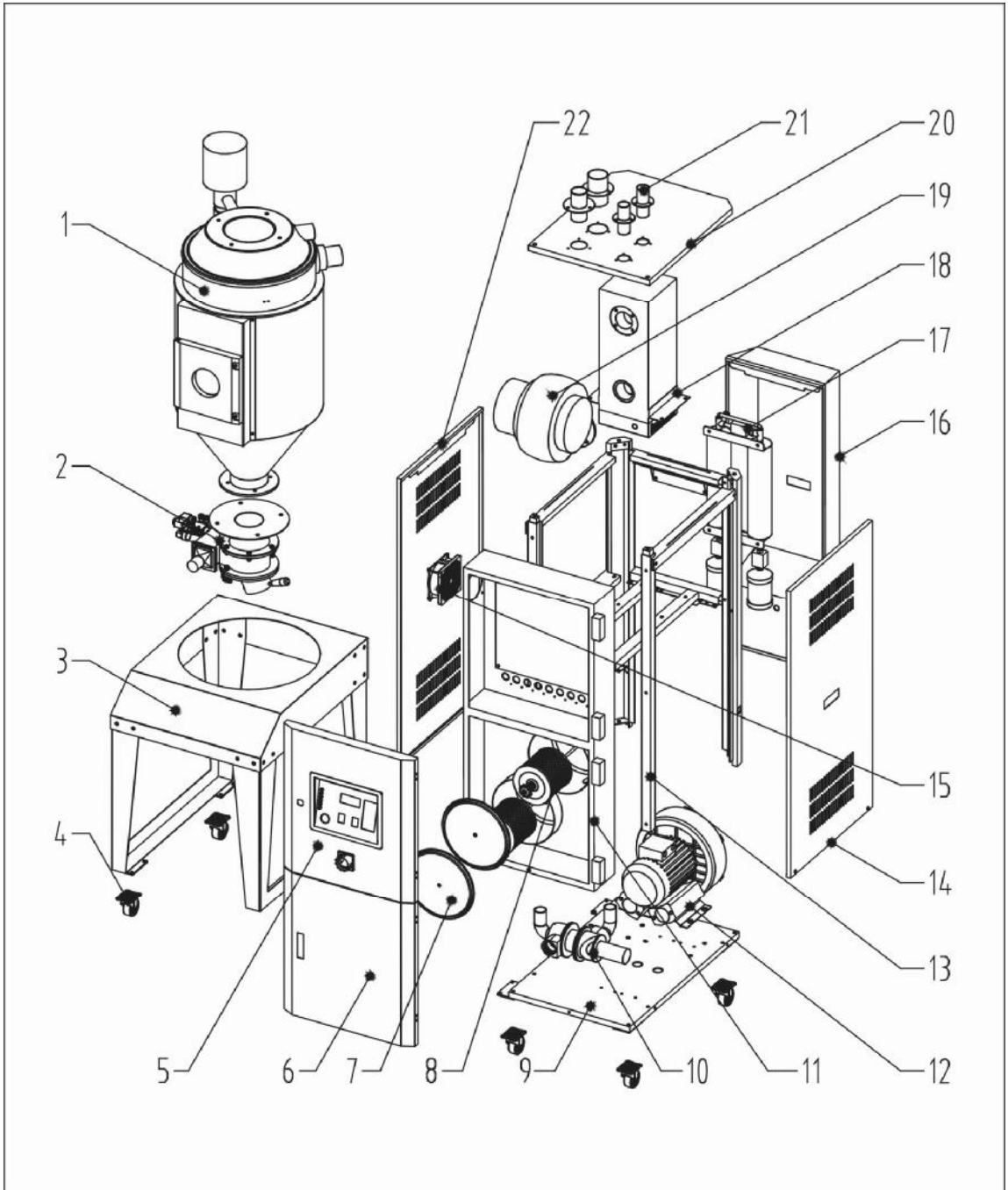


## 2.2.2 Assembly Drawing



Remarks: Please refer to material list 2.2.3 for specific explanation of the Arabic numbers in parts drawing.

Picture 2-3: Assembly Drawing

## 2.2.3 Parts List

Table 2-1: Parts List (SDL-20U~120U-HD)

No.	Name	Part No.			
		SDL-20U-HD	SDL-40U-HD	SDL-80U-HD	SDL-120U-HD
1	Insulated hopper	BY10002000150	BY10004000150	BY10008000150	BY10012000250
2	Shut-off valve suction box	BY10163800250	BY10163800250	BY10163800250	BY10163800250
3	Castor	-	-	-	-
4	Castor	YW03000300200 YW03000300000	YW03000300200 YW03000300000	YW03000300200 YW03000300000	YW03000300200 YW03000300000
5	Top door plate	-	-	-	-
6	Below door plate	-	-	-	-
7	Filter cover	YL21001200200	YL21001200200	YL21001200200	YL21001200200
8	Filter**	YR50708000100	YR50708000100	YR50708000100	YR50708000100
9	Base plate	-	-	-	-
10	Three-way valve	BY20150000050	BY20150000050	BY20150000050	BY20150000050
11	Control box	-	-	-	-
12	Material suction blower*	BM30031000150	BM30031000150	BM30031000150	BM30031000150
13	Frame	-	-	-	-
14	Right side plate	-	-	-	-
15	Ventilator	YM60121200400	YM60121200400	YM60121200400	YM60121200400
16	Back board	-	-	-	-
17	Heatless dehumidifying compact dryer	BY90106600050	BY90106600050	YE90102100000	YE90103100000
18	Heating box	-	-	-	-
19	Process blower	BM40001500200	BM40001500200	-	-
20	Deck plate	-	-	-	-
21	Pipe connector	-	-	-	-
22	Left side plate	-	-	-	-

\* means possible broken parts.

\*\* means easy broken part. and spare backup is suggested.

Please confirm the version of manual before placing the purchase order to guarantee that the item number of the spare part is in accordance with the real object.