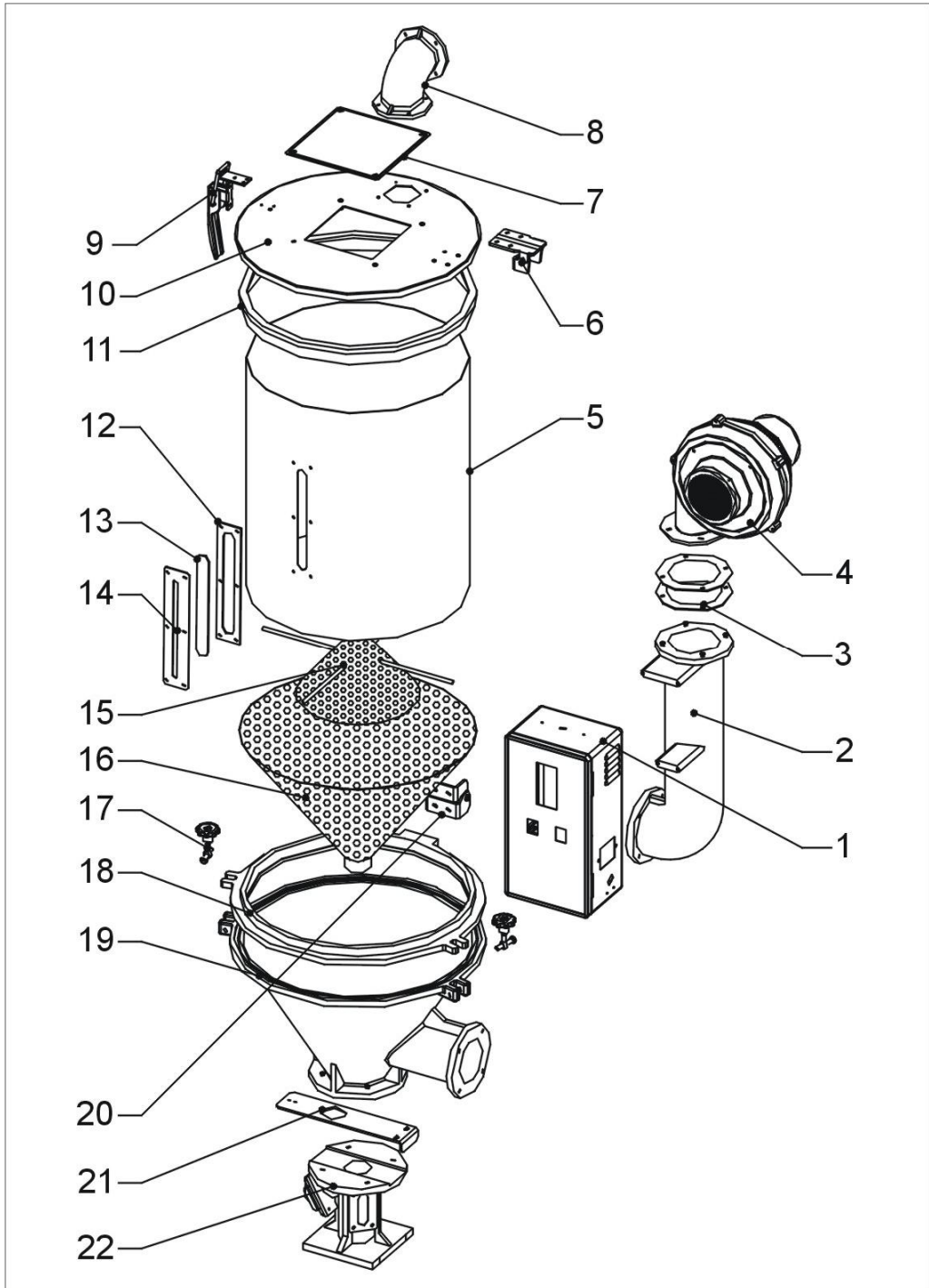
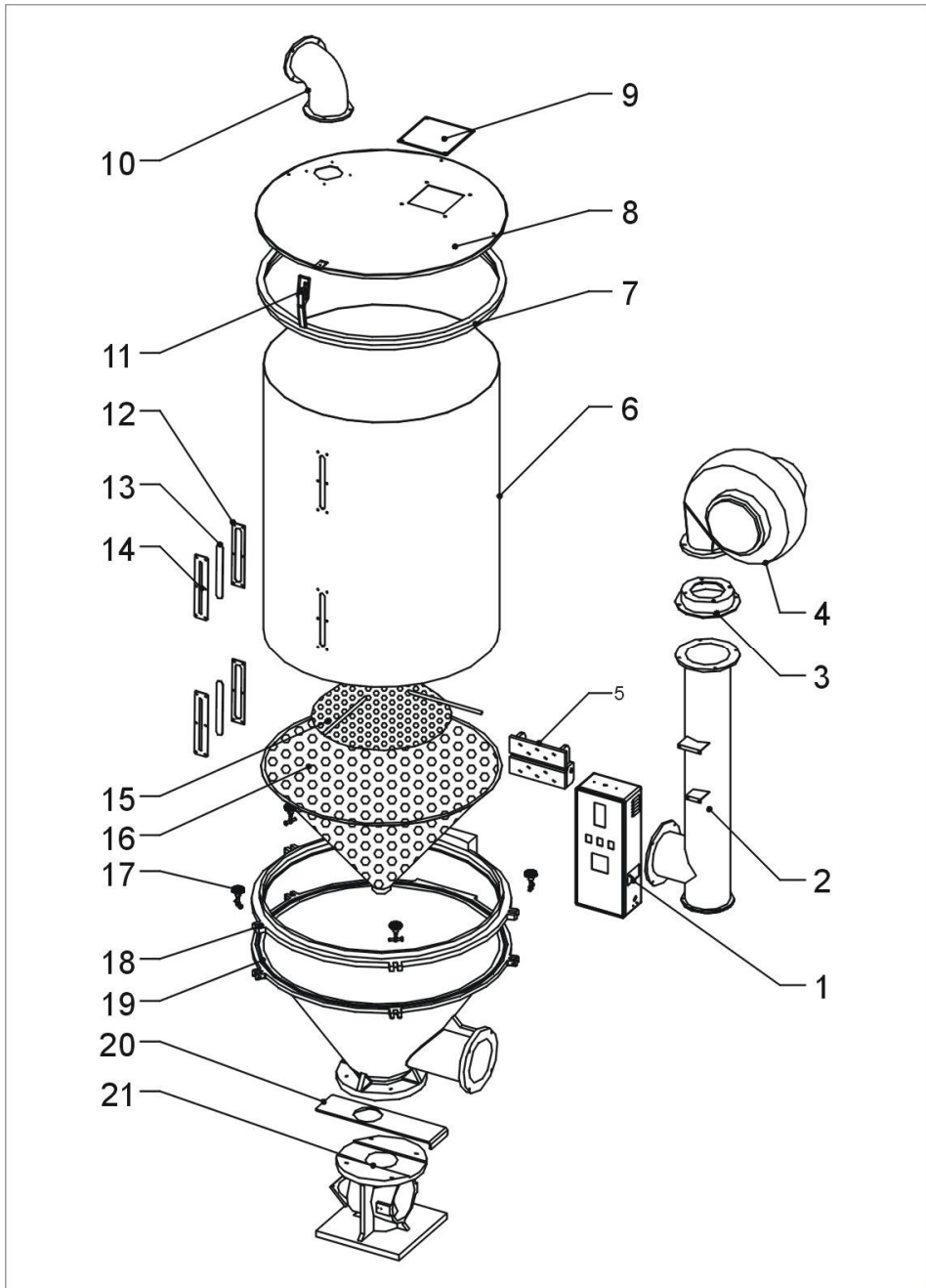


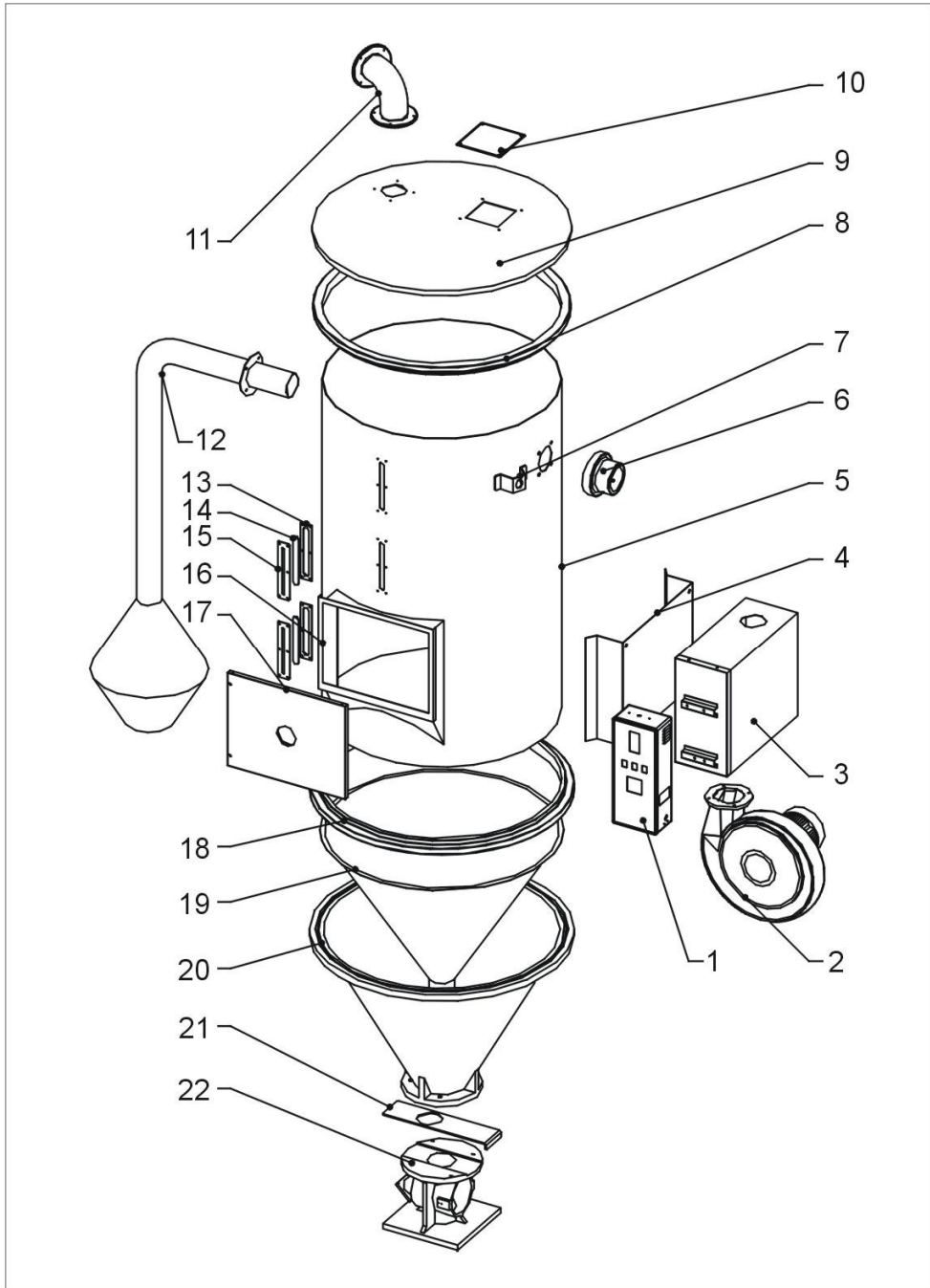
# 14. 干燥机零件图 Spare Parts of SHD



SHD-12~300



SHD-400~600



SHD-800~1000

## 15. 干燥机零件表 ( Spare Parts List )

序号	名称	物料编号			
		SHD-12	SHD-25	SHD-50	SHD-75
1	控制箱** Control box	BH31001200350	BH31002500450	BH31005000750	BH31007500250
2	热风管**Hot-air pipe	-	-	-	-
3	风车固定座 Blower fixing plate	-	-	-	-
4	风机*Blower	BM4001500550	BM40002500350	BM40003000250	BM40003000250
5	储料桶 Storage tank	-	-	-	-
6	盖后钮 Hinge at hopper	-	-	-	-
7	四方板 Four square plate	-	-	-	-
8	排风管 Exhaust pipe	-	-	-	-
9	把手 Handle	YW00121000000	YW00121000000	YW00121000000	YW00121000000
10	桶盖 Hopper cover	-	-	-	-
11	桶上圈 Upper springe	-	-	-	-
12	六孔视料窗迫紧 Six-hole visual window seal	-	-	-	-
13	六孔视料窗钢化玻璃 Tempered glass on Six-hole sight window	-	-	-	-
14	六孔视料窗铁片 Six-hole visual window chip	-	-	-	-
15	孔屏器**Screen separator	-	-	-	-
16	护屏器**Shade separator	-	-	-	-
17	梅花螺杆 Quincunxial bolt rod	-	-	-	-
18	桶下圈 Lower springe	-	-	-	-
19	料斗 Hopper	BA10001202210	-	-	-
20	桶后钮 Hinge at lid	-	-	-	-
21	关料板 Closed plate	-	-	-	-
22	标准底座**Standard base	BY10012000150	BY10050000550	BY10050000550	BY10050000550

\*表示可能损坏的项目； \*\*表示较可能损坏的项目，建议备份。

请在下单采购零配件之前，先确认说明书版本号，以确保零配件物料号与实物一致。

\* means possible broken parts.

\*\* means easy broken part. and spare backup is suggested.

Please confirm the version of manual before placing the purchase order to guarantee that the item number of the spare part is in accordance with the real object.

序号	名称	物料编号			
		SHD-100	SHD-150	SHD-200	SHD-300
1	控制箱** Control box	BH31101500350	BH31101500350	BH31020000550	BH31030000950
2	热风管**Hot-air pipe	-	-	-	-
3	风车固定座 Blower fixing plate	-	-	-	-
4	风机*Blower	BM40004000150	BM40004000150	BM40005000150	BM40005000150
5	储料桶 Storage tank	-	-	-	-
6	盖后钮 Hinge at hopper	-	-	-	-
7	四方板 Four square plate	-	-	-	-
8	排风管 Exhaust pipe	-	-	-	-
9	把手 Handle	YW00121000000	YW00121000000	YW00121000000	YW00121000000
10	桶盖 Hopper cover	-	-	-	-
11	桶上圈 Upper springe	-	-	-	-
12	六孔视料窗迫紧 Six-hole visual window seal	-	-	-	-
13	六孔视料窗钢化玻璃 Tempered glass on Six-hole sight window	-	-	-	-
14	六孔视料窗铁片 Six-hole visual window chip	-	-	-	-
15	孔屏器**Screen separator	-	-	-	-
16	护屏器**Shade separator	-	-	-	-
17	梅花螺杆 Quincunxial bolt rod	-	-	-	-
18	桶下圈 Lower springe	-	-	-	-
19	料斗 Hopper	-	-	-	-
20	桶后钮 Hinge at lid	-	-	-	-
21	关料板 Closed plate	-	-	-	-
22	标准底座**Standard base	BY10200000050	BY10200000050	BY10200000050	BY10200000050

\*表示可能损坏的项目； \*\*表示较可能损坏的项目，建议备份。

请在下单采购零配件之前，先确认说明书版本号，以确保零配件物料号与实物一致。

\* means possible broken parts.

\*\* means easy broken part. and spare backup is suggested.

Please confirm the version of manual before placing the purchase order to guarantee that the item number of the spare part is in accordance with the real object.

序号	名称	物料编号		
		SHD-400	SHD-500	SHD-600
1	控制箱** Control box	BH31040000450	BH31050000250	BH31060000850
2	热风管**Hot-air pipe	-	-	-
3	风车固定座 Blower fixing plate	-	-	-
4	风机*Blower	BM40005000150	BM40005000150	BM30055000150
5	桶后钮 Hinge at lid	-	-	-
6	储料桶 Storage tank	-	-	-
7	桶上圈 Upper springe	-	-	-
8	桶盖 Hopper cover	-	-	-
9	四方板 Four square plate	-	-	-
10	排风管 Exhaust pipe	-	-	-
11	把手 Handle	YW00121000000	YW00121000000	YW00121000000
12	六孔视料窗迫紧 Six-hole visual window seal	-	-	-
13	六孔视料窗钢化玻璃 Tempered glass on Six-hole sight window	-	-	-
14	六孔视料窗铁片 Six-hole visual window chip	-	-	-
15	孔屏器** Screen separator	-	-	-
16	护屏器**Shade separator	-	-	-
17	梅花螺杆 Quincunxial bolt rod	-	-	-
18	桶下圈 Lower springe	-	-	-
19	料斗 Hopper	-	-	-
20	关料板 Closed plate	-	-	-
21	磁力底座** Magnetic base	BY10400000050	BY10400000050	BY10400000050

\*表示可能损坏的项目；\*\*表示较可能损坏的项目，建议备份。

请在下单采购零配件之前，先确认说明书版本号，以确保零配件物料号与实物一致。

\* means possible broken parts.

\*\* means easy broken part. and spare backup is suggested.

Please confirm the version of manual before placing the purchase order to guarantee that the item number of the spare part is in accordance with the real object.

序号	名称	物料编号	
		SHD-800	SHD-1000
1	控制箱** Control box	BH31080000350	BH31100000450
2	风机*Blower	BM30113230050	BM30113230050
3	加热箱 Heating box	-	-
4	加热箱固定板 Heating box mounting plate	-	-
5	储料桶 Storage tank	-	-
6	下吹风管法兰 The briefing flange	-	-
7	吊环 Rings	-	-
8	桶上圈 Upper springe	-	-
9	桶盖 Hopper cover	-	-
10	四方板 Four square plate	-	-
11	排风管 Exhaust pipe	-	-
12	下吹风管 Down blowing pipe	-	-
13	六孔视料窗迫紧 Six-hole visual window seal	-	-
14	六孔视料窗钢化玻璃 Tempered glass on Six-hole sight window	-	-
15	六孔视料窗铁片 Six-hole visual window chip	-	-
16	清理门框 Clearance door frame	-	-
17	清理门 Cleaning gate	-	-
18	桶下圈 Lower springe	-	-
19	护屏器**Shade separator	-	-
20	料斗 Hopper	-	-
21	关料板 Closed plate	-	-
22	磁力底座**Magnetic bases	BY10400000050	BY10400000050

\*表示可能损坏的项目；\*\*表示较可能损坏的项目，建议备份。

请在下单采购零配件之前，先确认说明书版本号，以确保零配件物料号与实物一致。

\* means possible broken parts.

\*\* means easy broken part. and spare backup is suggested.

Please confirm the version of manual before placing the purchase order to guarantee that the item number of the spare part is in accordance with the real object.