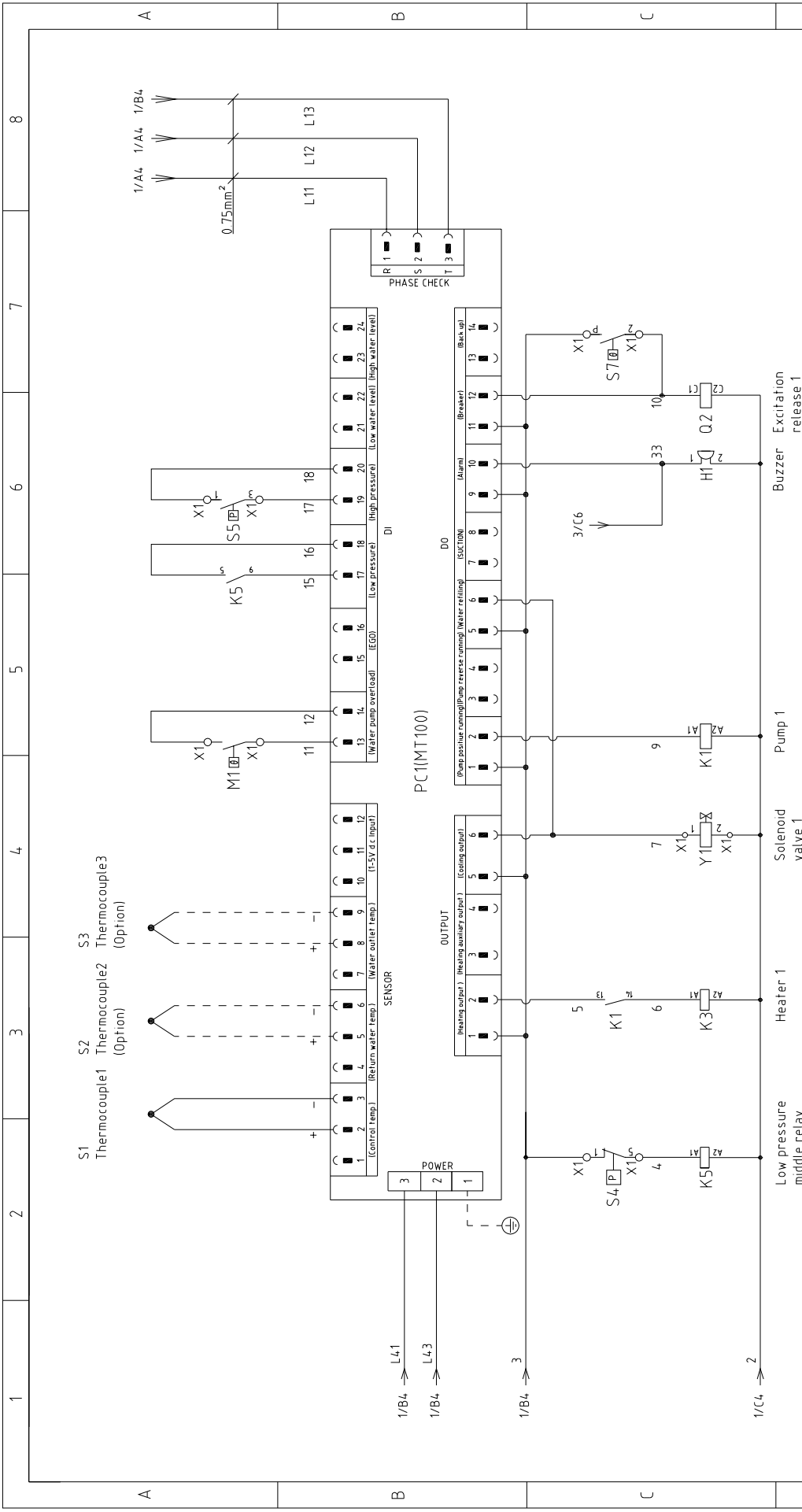


STM-607W-D	版本	Ver.F
STM-607MW-D	版本	Ver.D

When equipped with magnetic pump P=0.55KW IN=1.7A
 When equipped with magnetic pump P=0.55KW IN=1.7A

Title		Drawing NO		Page	1
STM-607W-D		STM-607W-D-CE-230V-H-1		Standard	CE
Version		Approved by		Totally 7 Pages	
H		Date		Voltage	
20180731		20180731		230V	
Modified by		Modify date		Frequency	
After modification		2		50HZ	
Before modification		3		8	



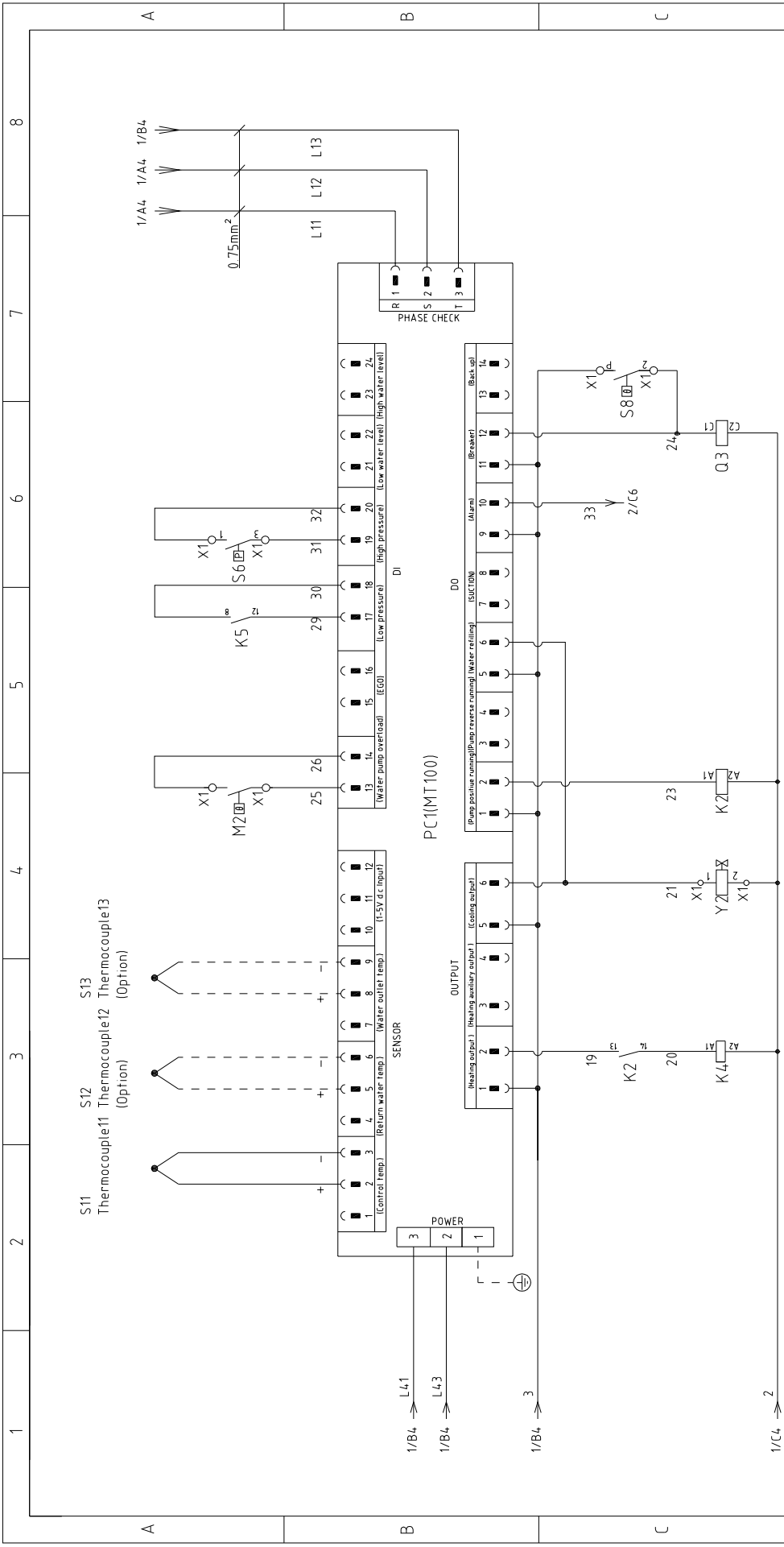


STM-607W-D 版本 Ver.F
 STM-607MW-D 版本 Ver.D

Note: M1 is the overheat protection output contact of water pump 1.

Title		Drawing NO		Page	
STM-607W-D		STM-607W-D-CE-230V-H-2		2	
Version		Standard		Totally	
H		CE		7	
Designer		Voltage		Pages	
Proofread by		230V		7	
Checked by		Frequency		50HZ	
Date		20180731		8	
Modified by					
Modify date					





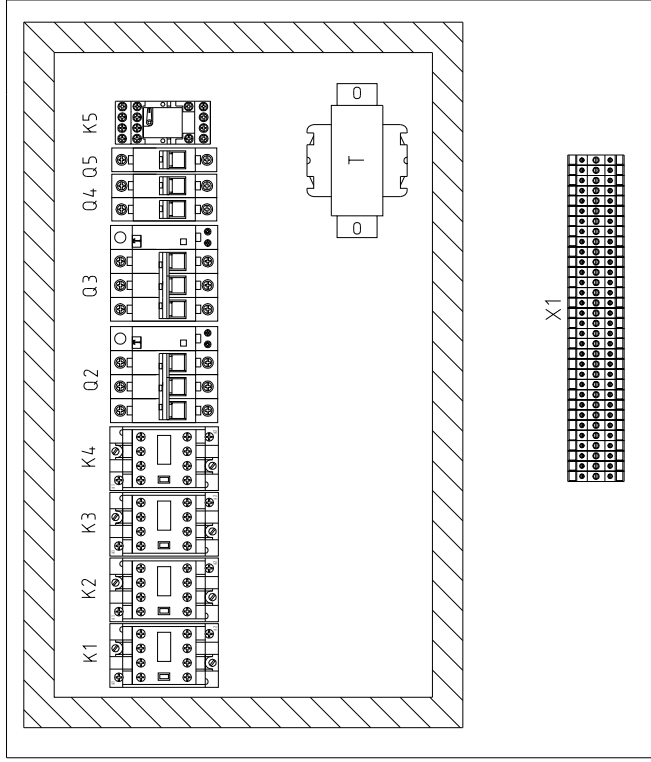
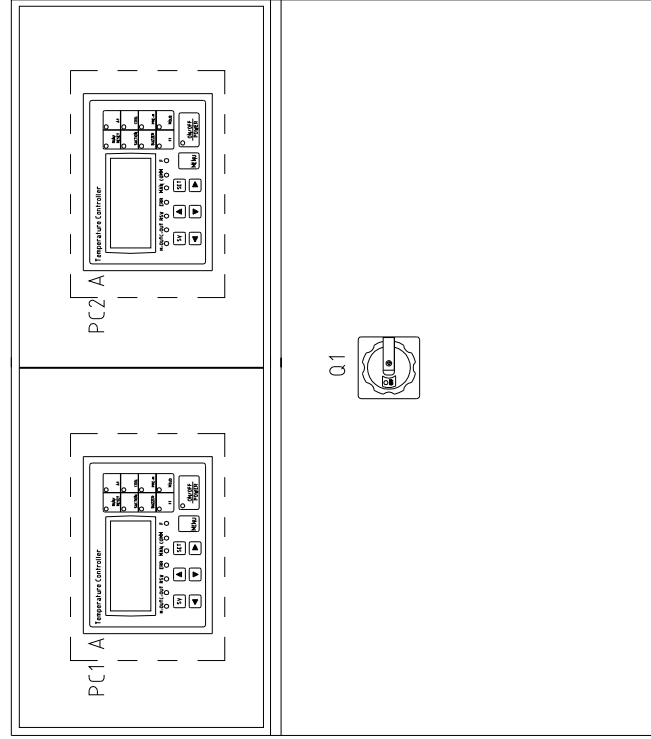
STM-607W-D	版本	Ver.F
STM-607MW-D	版本	Ver.D

Note: M2 is the overheat protection output contact of water pump 2.

Title		Drawing NO	
STM-607W-D		STM-607W-D-CE-230V-H-3	
Control Circuit Diagram 2		Scale	Page 3
		Standard	Totally 7 Pages
		Voltage	230V
		Frequency	50HZ
Mark	Before modification	Modified by	20180731
	After modification	Checked by	
		Proofread by	
		Designer	
		Drawer	
		Version	H
		Approved by	
		Date	20180731



1 2 3 4 5 6 7 8



STM-607W-D 版本 Ver.F

STM-607MW-D 版本 Ver.D

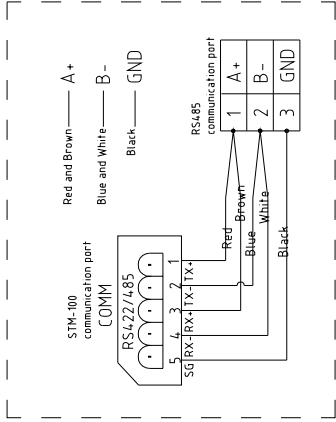
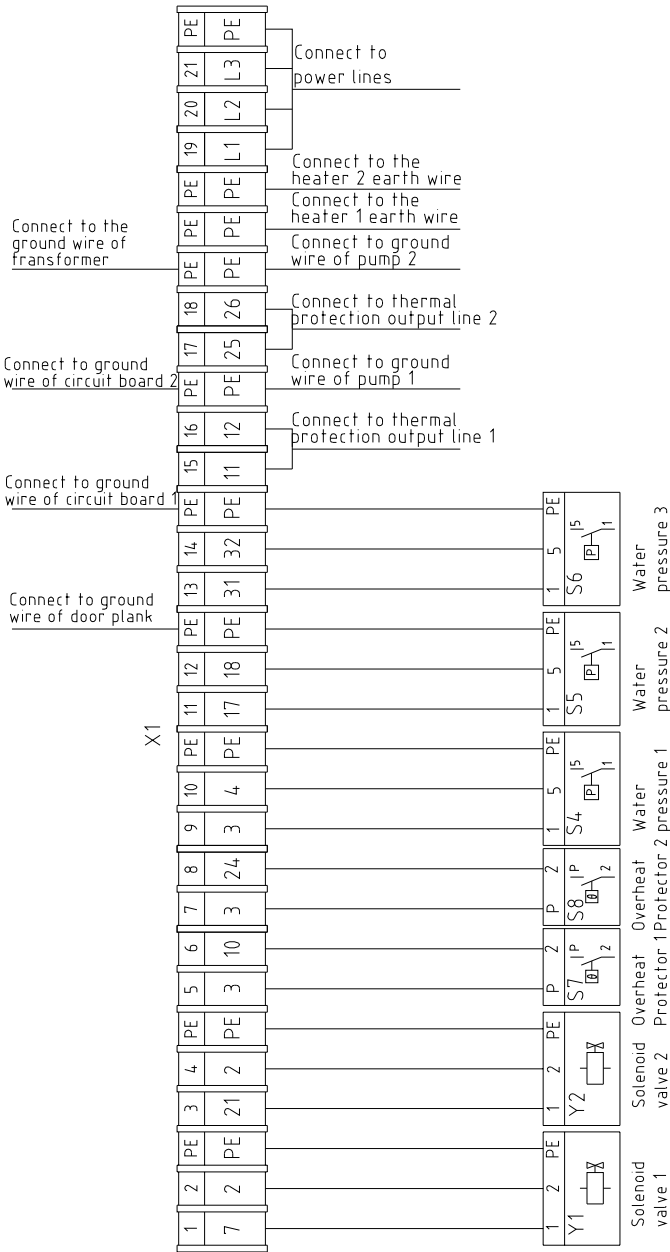
Title		Drawing NO		Scale	Page	4
STM-607W-D		STM-607W-D-CE-230V-H-4		Standard	Totally	7
Electrical Components Layout				Voltage	230V	
				Frequency	50HZ	
Mark	Before modification	After modification	Date			
			20180731			
Drawer	Designer	Proofread by	Checked by			
Version	Approved by	Date				
H		20180731				
SHINI		信易電熱機械股份有限公司		Shini Plastics Technologies, Inc.		
STM-607W-D		Electrical Components Layout				
SHINI		信易電熱機械股份有限公司		Shini Plastics Technologies, Inc.		
STM-607W-D		Electrical Components Layout				
SHINI		信易電熱機械股份有限公司		Shini Plastics Technologies, Inc.		

1 2 3 4 5 6 7 8

A

B

C



STM-607W-D 版本 Ver.F
STM-607MW-D 版本 Ver.D

Technical requirements: Pump and pipe heater should be directly connected to the output terminals of contactor and thermal overload relay.

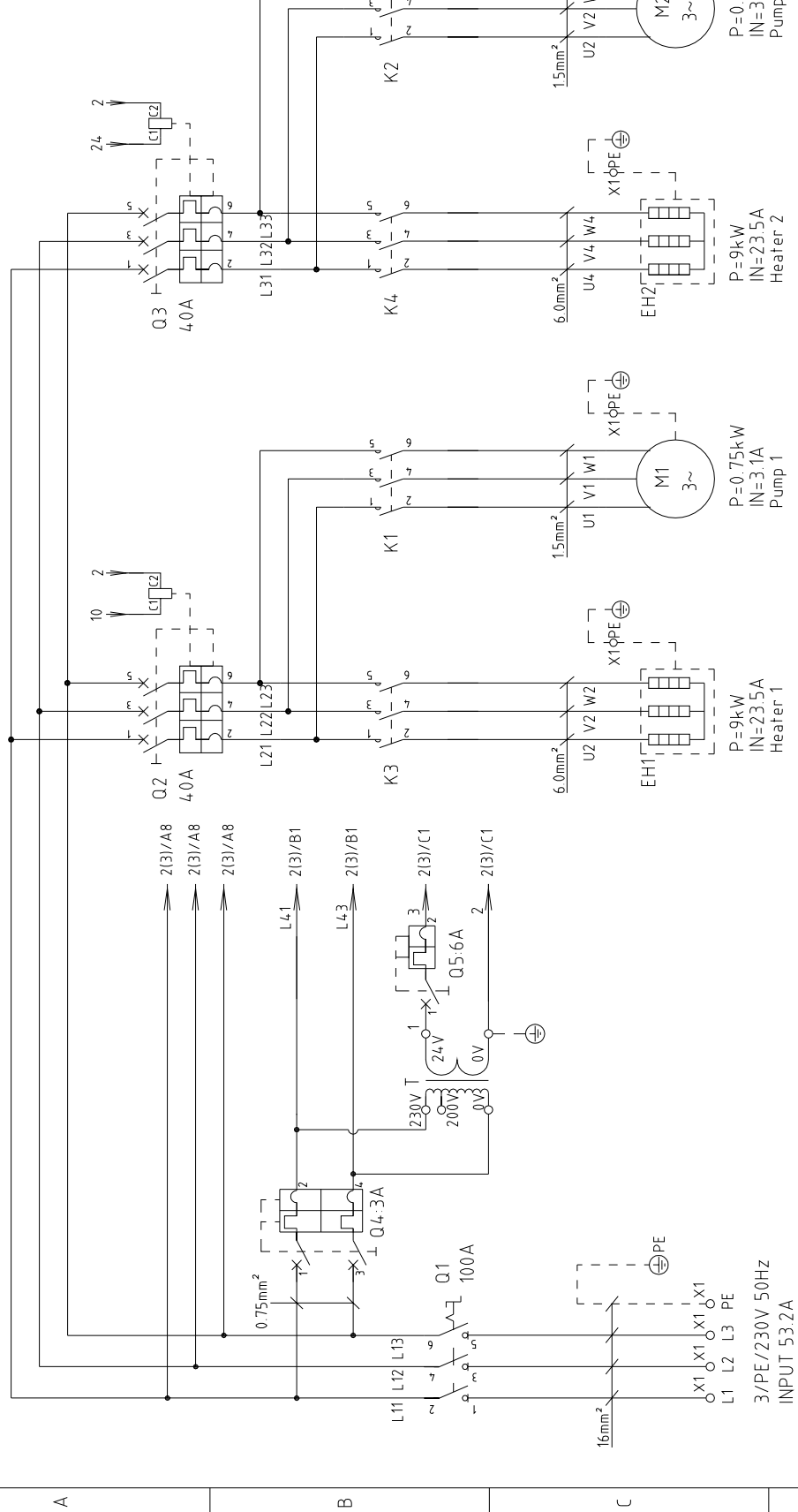
D	Title		Drawing NO		Scale	Page
	STM-607W-D		STM-607W-D		Standard	Totally 7
Terminal Connection Diagram		STM-607W-D-CE-230V-H-5		Voltage		230V
				Frequency		50HZ
SHINI		信易電熱機械股份有限公司		Shini Plastics Technologies, Inc.		
Mark	Before modification	After modification	Modified by	Modify date	Checked by	Date
						20180731

1		2		3		4		5		6		7		8			
NO.	Symbol	Name	Manufacturer	Type	Specification	Number	Material number	Remark									
1	Q1	Main power switch	EATON	P3-63/EA/SVB	63A	1	YE10636300000										
2	Q2 Q3	Circuit breakers	TECO	BM-63C/3025S	25A	2	YE40302503000										
3	Q4	Excitation release	YECO	MX	24VAC	2	YE40024000000										
4	Q5	Circuit breakers	TECO	BM-63C/2003S 2P	3A	1	YE40200203000										
5	K1 K2	Circuit breakers	TECO	BM-63C/1006S 1P	6A	1	YE40100600100										
6	K3 K4	Contactors	SIEMENS	3RT6015-1AB01	24VAC	2	YE00601502500										
7	K5	Contactors	SIEMENS	3RT6026-1AC20	24VAC	2	YE00602602600										
8	T	Middle relay	HONEYWELL	GR-2C-AC24V	24VAC	1	YE03022400300										
9	PC1 A PC2 A	Transformer	JIUXIN	IN=230V/200V OUT=24V	120VA	1	YE70023004500										
10	H1	Circuit board	HANYOUNGNUX	STM100-21 (含通讯)	180~4.30V 50/60Hz	2	YE81184.300200										
11	S1 S11	Buzzer	JINGKANG	PK-35A	24VAC/DC	1	YE84.003500600										
12	S2 S3 S12 S13	Thermocouple	SHINI	----	----	2	----	(1)									
13	S4 S5 S6	Thermocouple	SHINI	----	----	4	----	(1)(2)									
14	S7 S8	Water pressure switch	----	----	----	3	----	(1)									
15	S9	Overheat protector	----	----	----	2	----	(1)									
16	Y1 Y2	Communication interface board RS-485 (double Dsub-9pin connector)	YUYUN	----	PCS	1	YE90048501200										
17	X1	Shell RS485(SAL-700G-A-19)0	BINCHEG	----	PCS	1	YR40048500000										
18	X2	Solenoid valve	----	----	24VAC	2	----	(1)									
19	X3	Terminal board	HONEYWELL	SK2.5	----	18	YE60002503200										
20	X4	Terminal board	HONEYWELL	SK2.5PE	----	7	YE60002503400										
21	X5	Terminal board	HONEYWELL	GK5PE	----	2	YE60000403500										
22	X6	Terminal board	HONEYWELL	GK10	----	3	YE60001003200										
23	X7	Terminal board	HONEYWELL	GK10PE	----	1	YE60001003500										
24	M1 M2	Motor	SHINI	TP-55	230V 50Hz 0.55kW	2	----	(1)									
25	M3 M4	Motor	SHINI	MP-55	230V 50Hz 0.55kW	2	----	(1)(3)									
STM-607W-D 版本										STM-607MW-D 版本						Ver.D	
Notes: (1)Means if's not the material inside the control box.(2)Means equipped with function of displaying water outlet and return water temperature. (3)Means equipped with magnetic pump.										Drawing NO						Scale	
										STM-607W-D						Page 6	
										Electrical Components List 1						Standard	
										STM-607W-D-CE-230V-H-6						Voltage	
																Frequency	
																230V	
																50HZ	
																CE	
																Totally 7	
																Pages	



1		2		3		4		5		6		7		8	
NO.	Symbol	Name	Manufacturer	Type	Specification	Number	Material number	Remark							
26	EHI EH2	Heater	SHINI	----	230V 50Hz 6kW	2	----	(1)							
27		Terminal fittings E/GKseries(honeywell)	HONEYWELL	----	PCS	6	YE60000003900								
A															
B															
C															
D															
STM-607W-D 版本		STM-607MW-D 版本		Ver D		Notes: (1)Means if's not the material inside the control box.(2)Means equipped with function of displaying water outlet and return water temperature. (3)Means equipped with magnetic pump.									
		Drawer		Version		H		Title		Drawing NO		Scale		Page	
		Designer		Approved by				STM-607W-D		STM-607W-D-CE-230V-H-7		Standard		CE	
		Proofread by		Date		20180731		Electrical Components List 2		Voltage		Frequency		7	
Mark		Before modification		Modified by		Modify date				Frequency		Voltage		7	
		After modification		Date						Frequency		Voltage		50HZ	
1		2		3		4		5		6		7		8	





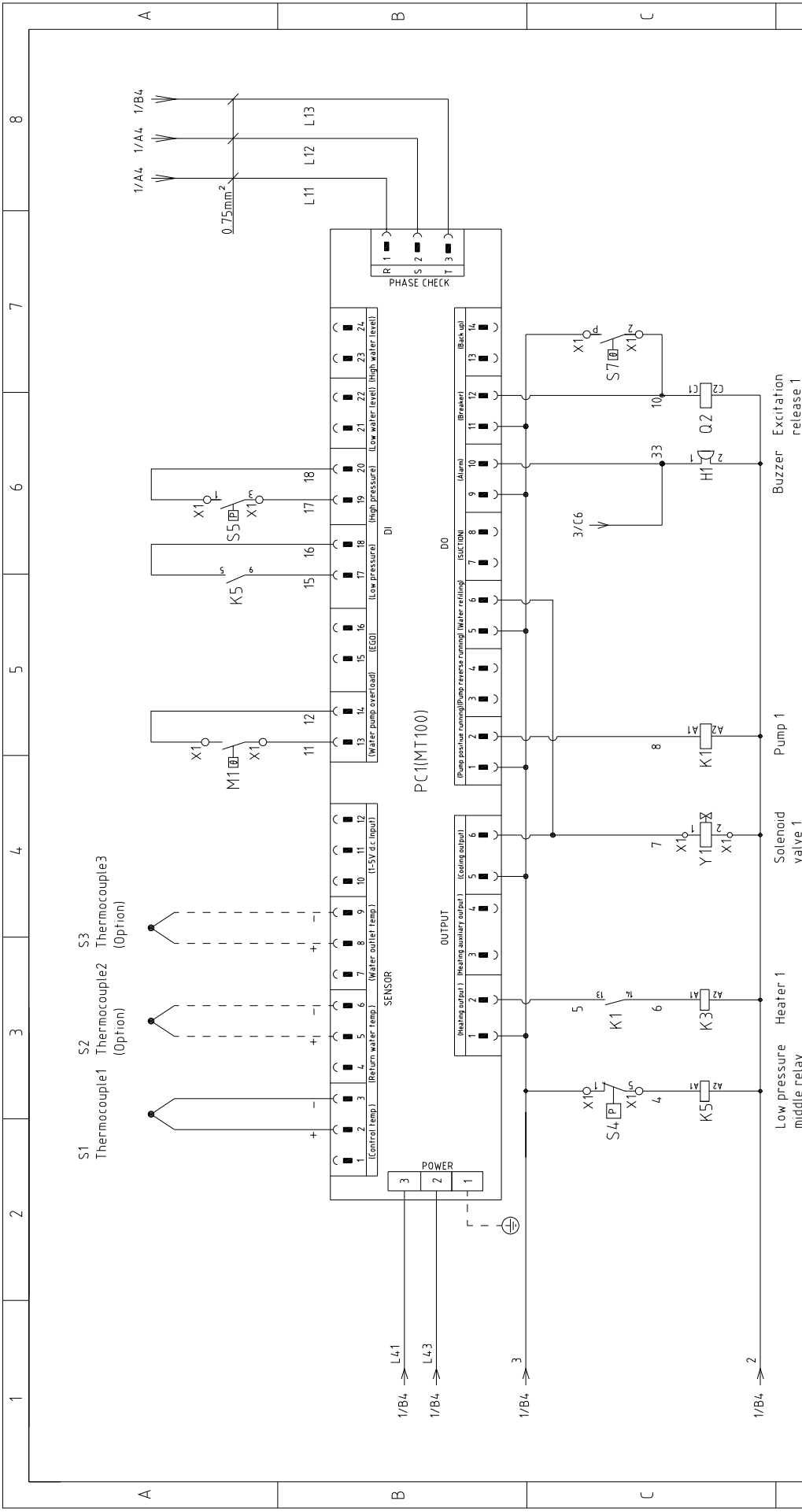
STM-910W-D 版本 Ver.F
 STM-910MW-D 版本 Ver.D

When equipped with magnetic pump
 P=1.0KW IN=3.1A

When equipped with magnetic pump
 P=1.0KW IN=3.1A

D	Mark	Before modification	After modification	Modified by	Modify date	Checked by	Proofread by	Designer	Drawer	Version	H	Title	Drawing NO		Scale	Page	
												STM-910W-D Main Circuit Diagram	STM-910W-D-CE-230V-H-1	Standard	CE	Totally	Pages
																	1
																	7
																	8
																	8



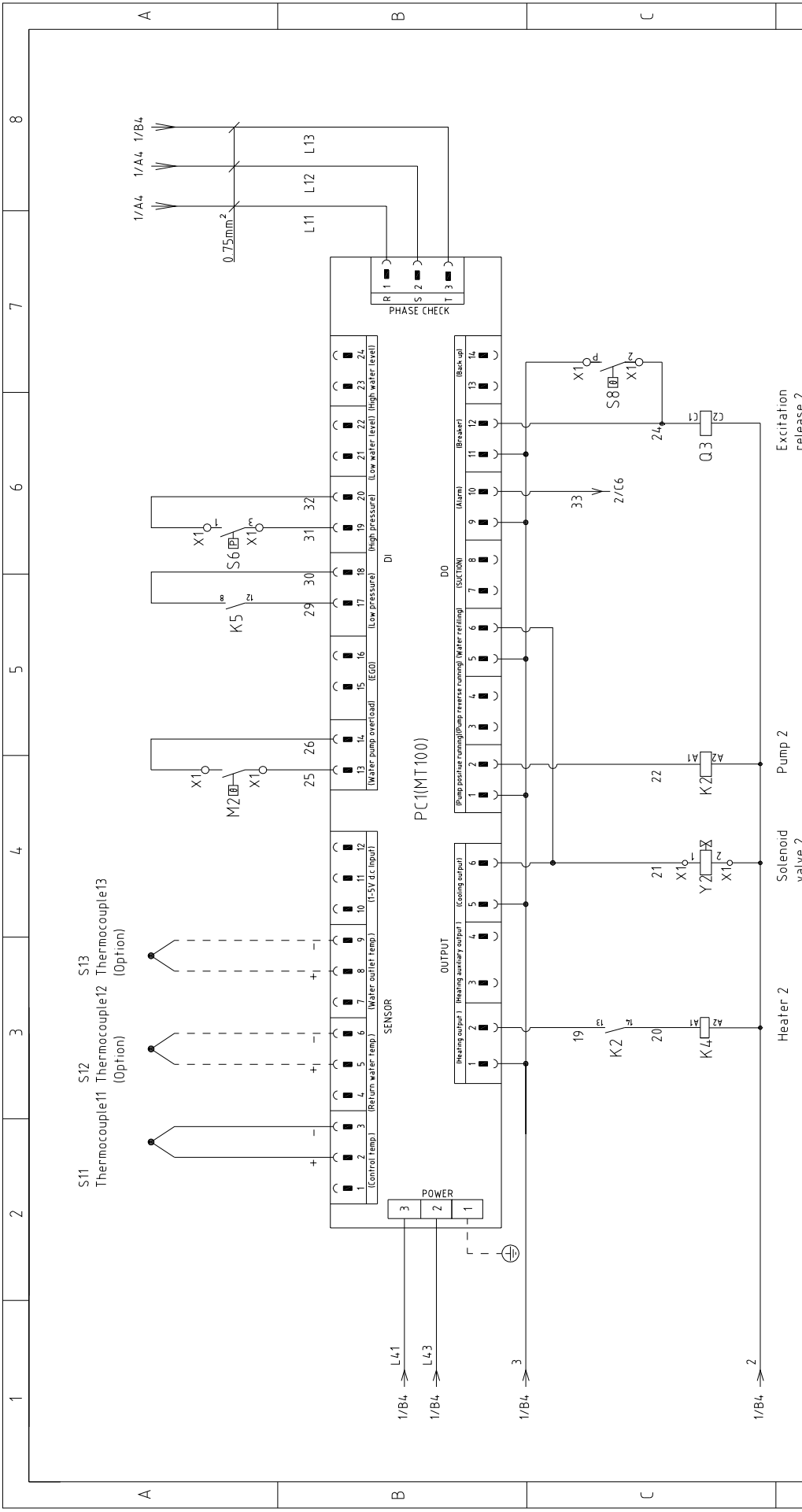


STM-910W-D	版本	Ver.F
STM-910MW-D	版本	Ver.D
Mark	Before modification	Modified by
	2	3

Note: M1 is the overheat protection output contact of water pump 1.

Title		Drawing NO	
STM-910W-D		STM-910W-D-CE-230V-H-2	
Version		Scale	
H		Standard	
Approved by		CE	
Date		Voltage	
20180801		230V	
Checked by		Frequency	
20180801		50HZ	
Modified by		Page	
		2	
Mark		Totally	
		7	
		Pages	
		8	





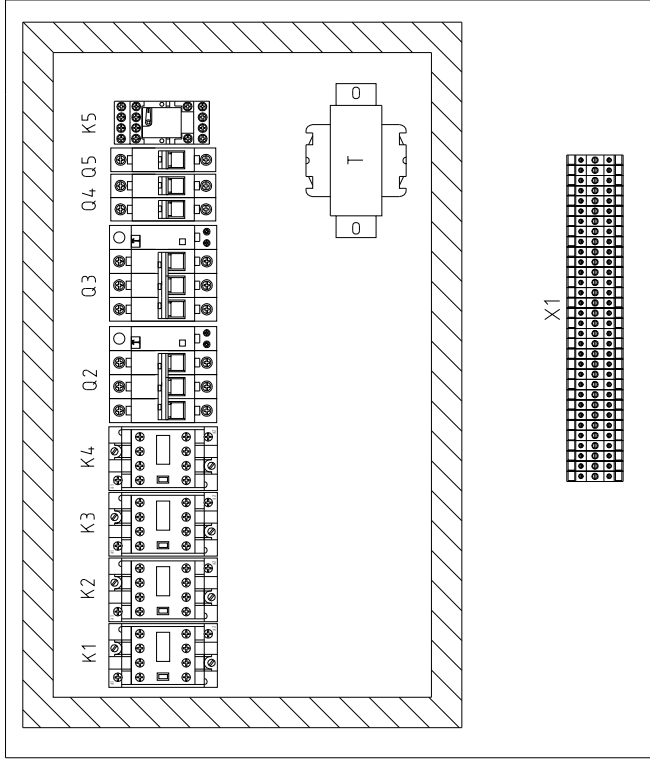
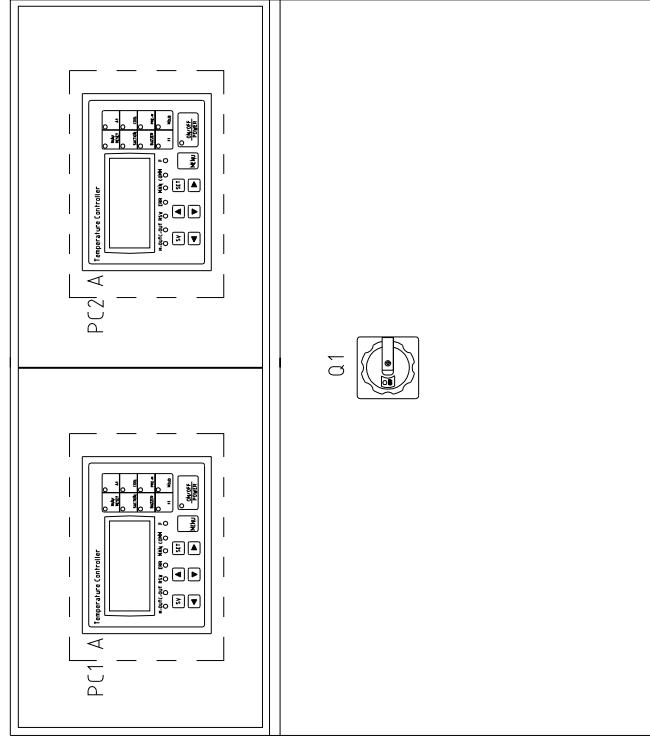
STM-910W-D 版本 Ver.F
 STM-910MW-D 版本 Ver.D

Note: M2 is the overhear protection output contact of water pump 2.

Title		Drawing No		Page	
STM-910W-D		STM-910W-D-CE-230V-H-3		3	
Version		Standard		Totally	
H		CE		7	
Approved by		Voltage		Pages	
		230V		7	
Date		Frequency			
20180801		50HZ			
Modified by		Before modification			
		After modification			
Checked by		Mark			
		1			
Proofread by		2			
Designer		3			
Drawer		4			
Modified date		5			
Checked date		6			
Approved		7			
H		8			



1 2 3 4 5 6 7 8



A

B

C

STM-910W-D 版本 Ver.F

STM-910MW-D 版本 Ver.D

Drawer	Version	H	Title	
Designer	Approved by		STM-910W-D	
Proofread by	Date	20180801	Electrical Components Layout	
Checked by	Modify date		Drawing NO	
Modified by	After modification		STM-910W-D-CE-230V-H-4	
Before modification			Standard	
			Voltage	
			Frequency	



信易電熱機械股份有限公司
Shini Plastics Technologies, Inc.

Scale
Standard

Page 4

Totally 7 Pages

230V

50HZ

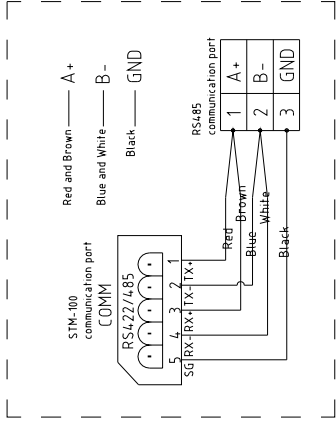
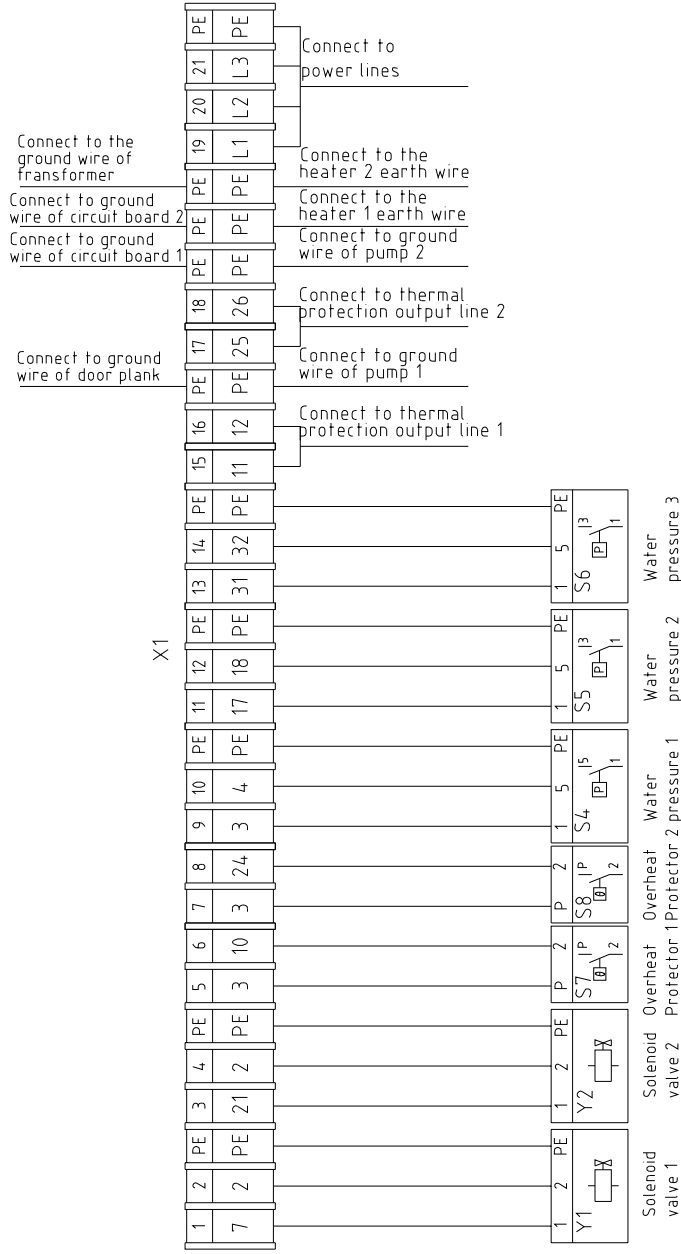
1 2 3 4 5 6 7 8

D

A

B

C



STM-910W-D 版本 Ver.F
STM-910MW-D 版本 Ver.D

Technical requirements: Pump and pipe heater should be directly connected to the output terminals of contactor and thermal overload relay.

D	Title	STM-910W-D	H	Version	Drawer	Designer	Proofread by	Checked by	Date	20180801	Voltage	Frequency	Page	5					
		Terminal Connection Diagram											Standard	CE	Totally	7	Pages	7	
		Drawing NO											STM-910W-D-CE-230V-H-5		Voltage		230V		Frequency

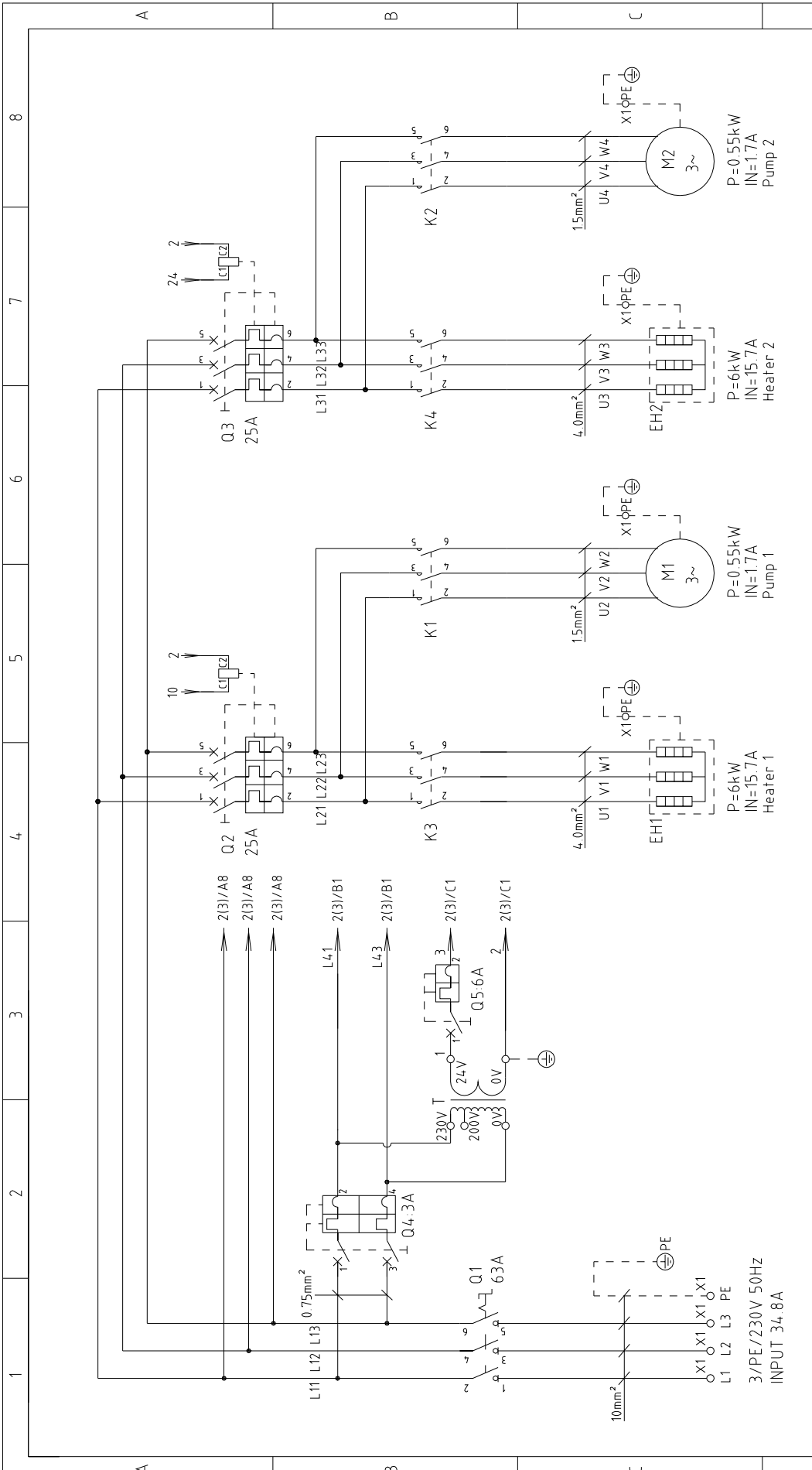


1		2		3		4		5		6		7		8	
NO.	Symbol	Name	Manufacturer	Type	Specification	Number	Material number	Remark							
1	Q1	Main power switch	EATON	P3-100/EA/SVB	100A	1	YE10010000000								
2	Q2 Q3	Circuit breakers	TECO	BM-63C/3040S	40A	2	YE40304003000								
3		Excitation release	TECO	MX	24VAC	2	YE40024000000								
4	Q4	Circuit breakers	TECO	BM-63C/2003S 2P	3A	1	YE40200203000								
5	Q5	Circuit breakers	TECO	BM-63C/1006S 1P	6A	1	YE40100600100								
6	K1 K2	Contactors	SIEMENS	3RT6015-1AB01	24VAC	2	YE00601502500								
7	K3 K4	Contactors	SIEMENS	3RT6027-1AC20	24VAC	2	YE00602702600								
8	K5	Middle relay	HONEYWELL	GR-2C-AC24V	24VAC	1	YE03022400300								
9	T	Transformer	JIUXIN	IN=230V/200V OUT=24VAC	120VA	1	YE70023004500								
10	PC1 A PC2 A	Circuit board	HANYOUNGNUX	STM100-21 (含通讯)	180~4.30V 50/60Hz	2	YE81184300200								
11	H1	Buzzer	JINGKANG	PK-35A	24VAC/DC	1	YE84003500600								
12	S1 S11	Thermocouple	SHINI	----	----	2	----	(1)							
13	S2 S3 S12 S13	Thermocouple	SHINI	----	----	4	----	(1)(2)							
14	S4 S5 S6	Water pressure switch	----	----	----	3	----	(1)							
15	S7 S8	Overheat protector	----	----	----	2	----	(1)							
16	S9	Communication interface board RS-485 (double Dsub-9pin connector)	YUYUN	----	PCS	1	YE90048501200								
17	Y1 Y2	Shell RS485(SAL-700G-A-1910)	BINCHEG	----	PCS	1	YR40048500000								
18	X1	Solenoid valve	----	----	24VAC	2	----	(1)							
19	X1	Terminal board	HONEYWELL	SK2.5	----	18	YE60002503200								
20	X2	Terminal board	HONEYWELL	SK2.5PE	----	7	YE60002503400								
21	X3	Terminal board	HONEYWELL	GK6PE	----	2	YE60000603500								
22	X4	Terminal board	HONEYWELL	GK16	----	3	YE60001603200								
23	X5	Terminal board	HONEYWELL	GK16PE	----	1	YE60001603500								
24	M1 M2	Motor	SHINI	TP-75	230V 50Hz 0.75kw	2	----	(1)							
25	M1 M2	Motor	SHINI	MP-100	230V 50Hz 1.0kw	2	----	(1)(3)							
Notes: (1)Means it's not the material inside the control box.(2)Means equipped with function of displaying water outlet and return water temperature.(3)Means equipped with magnetic pump.															
STM-910W-D		版本	STM-910MW-D	版本	Ver.D	Title		STM-910W-D		Drawing NO		STM-910W-D-CE-230V-H-6		Page 6	
		Drawer		Version	H	Electrical Components List 1				Standard		CE		Totally 7 Pages	
Mark		Before modification	Modified by	Modify date	Date	20180801				Voltage		230V		Frequency	
										Frequency		50HZ			



1		2		3		4		5		6		7		8								
NO.	Symbol	Name	Manufacturer	Type	Specification	Number	Material number	Remark														
26	EH1 EH2	Heater	SHINI	----	230V 50Hz 9kW	2	----	(1)														
27		Terminal fittings E/GKseries(honeywell)	HONEYWELL	----	PCS	6	YE60000003900															
A																						
B																						
C																						
D																						
STM-910W-D		版本 Ver.F		STM-910MW-D		版本 Ver.D		Notes: (1)Means it's not the material inside the control box.(2)Means equipped with function of displaying water outlet and return water temperature. (3)Means equipped with magnetic pump.														
		Drawer		Version		H		Title		Drawing NO		Scale		Page								
		Designer		Approved by				STM-910W-D		STM-910W-D-CE-230V-H-7		Standard		7								
		Proofread by		Date		20180801		Electrical Components List 2				CE		Totally 7								
Mark		Before modification		Modified by		Modify date						Voltage		230V								
		After modification										Frequency		50HZ								
1									2		3		4		5		6		7		8	



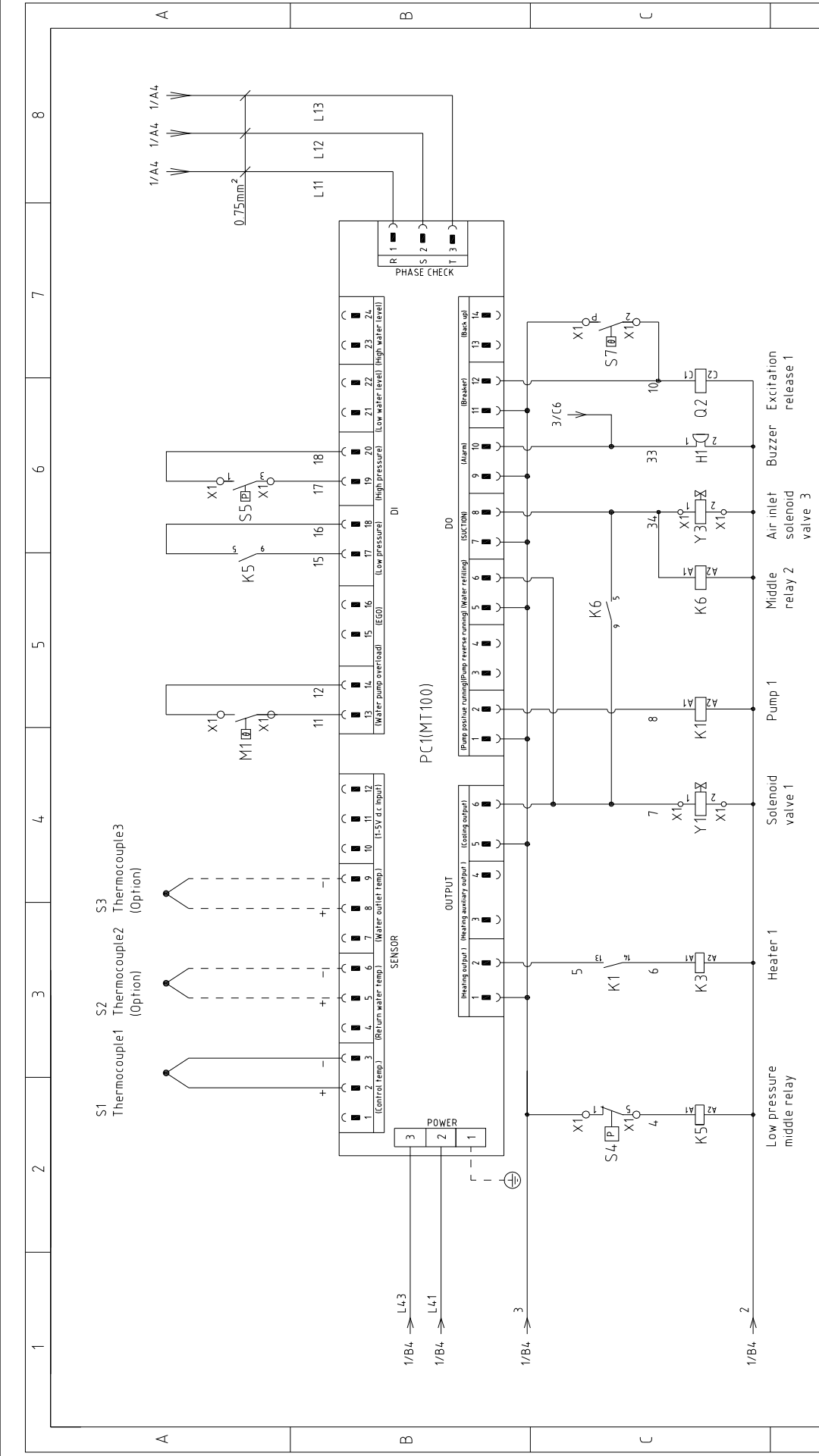


版本	Ver.B
Mark	Before modification
Modified by	
Modify date	
Checked by	
Proofread by	
Designer	
Drawer	

Version	A
Approved by	
Date	20180810

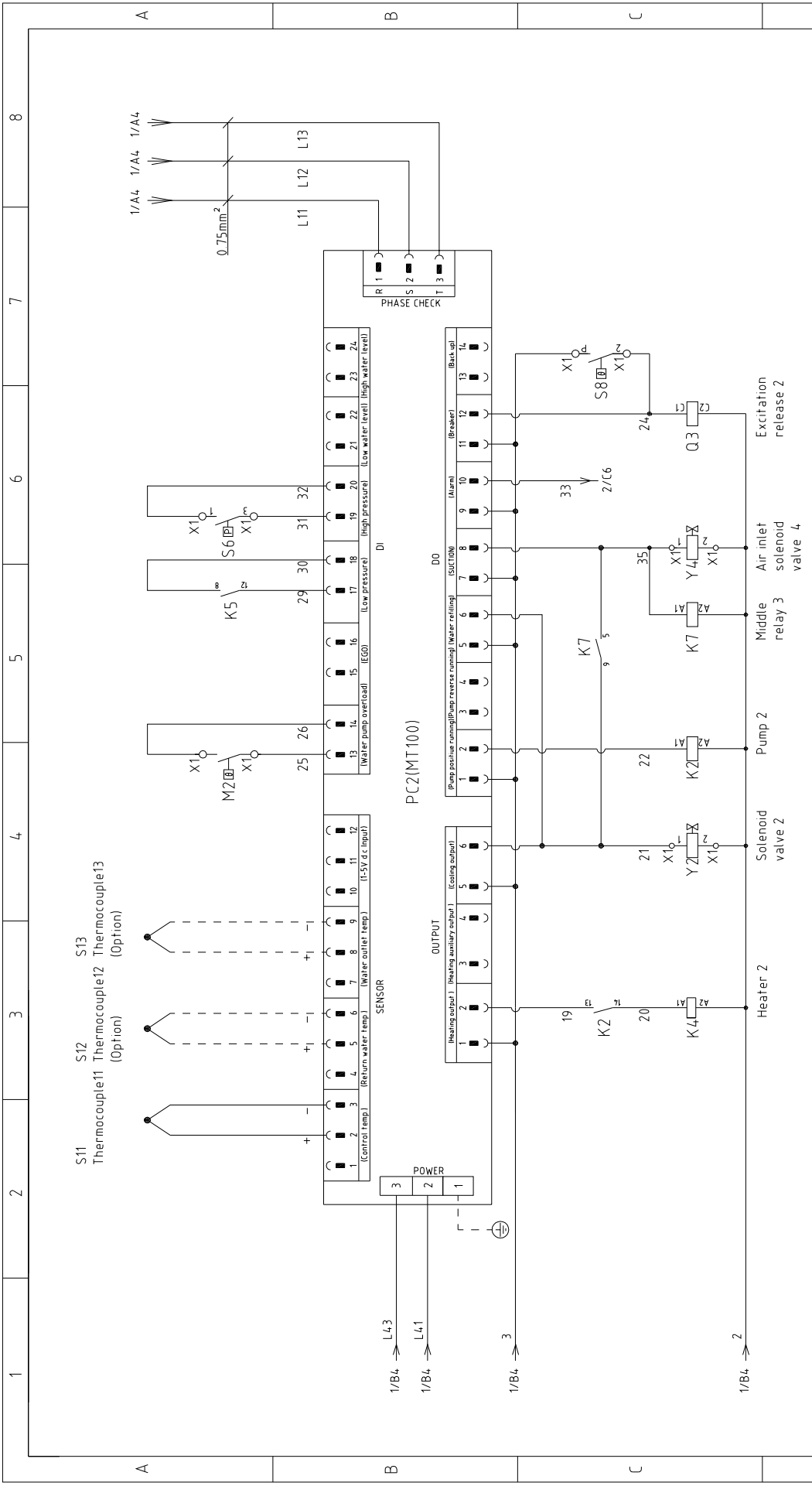
Title		Drawing NO	
STM-607WA-D		STM-607WA-D-CE-230V-A-1	
Main Circuit Diagram		Scale	
		Standard	
		Voltage	
		Frequency	
		Page 1	
		Totally 7	
		Pages	
		230V	
		50HZ	





版本	Ver.B	Note: M1 is the overheat protection output contact of water pump 1.			
	Mark	Before modification	Modified by	Modify date	Checked by
D	Scale	Standard	CE	Page	2
	Standard	CE	Standard	Totally	7 Pages
Title	STM-607WA-D	Drawing NO		STM-607WA-D-CE-230V-A-2	Voltage
	Control Circuit Diagram 1	Title		STM-607WA-D-CE-230V-A-2	
Version	A	Approved by		20180810	
	Version	Approved by		Date	20180810
Designer		Proofread by	Checked by	Modify date	2
Modified by		Modified by	Modify date	3	4
2				5	6
3				7	8
4					
5					
6					
7					
8					
9					
10					
11					
12					
13					
14					
15					
16					
17					
18					
19					
20					
21					
22					
23					
24					
25					
26					
27					
28					
29					
30					
31					
32					
33					
34					
35					
36					
37					
38					
39					
40					
41					
42					
43					
44					
45					
46					
47					
48					
49					
50					





版本 Ver.B		Title STM-607WA-D		Drawing NO STM-607WA-D-CE-230V-A-3		Page 3	
		Version A		Control Circuit Diagram 2		Standard CE	
		Designer		Approved by		Totally 7 Pages	
		Proofread by		Date 20180810		Voltage 230V	
Mark Before modification		Modified by		Modify date		Frequency 50HZ	
1	2	3	4	5	6	7	8

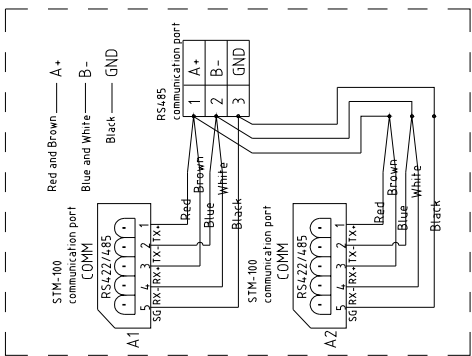
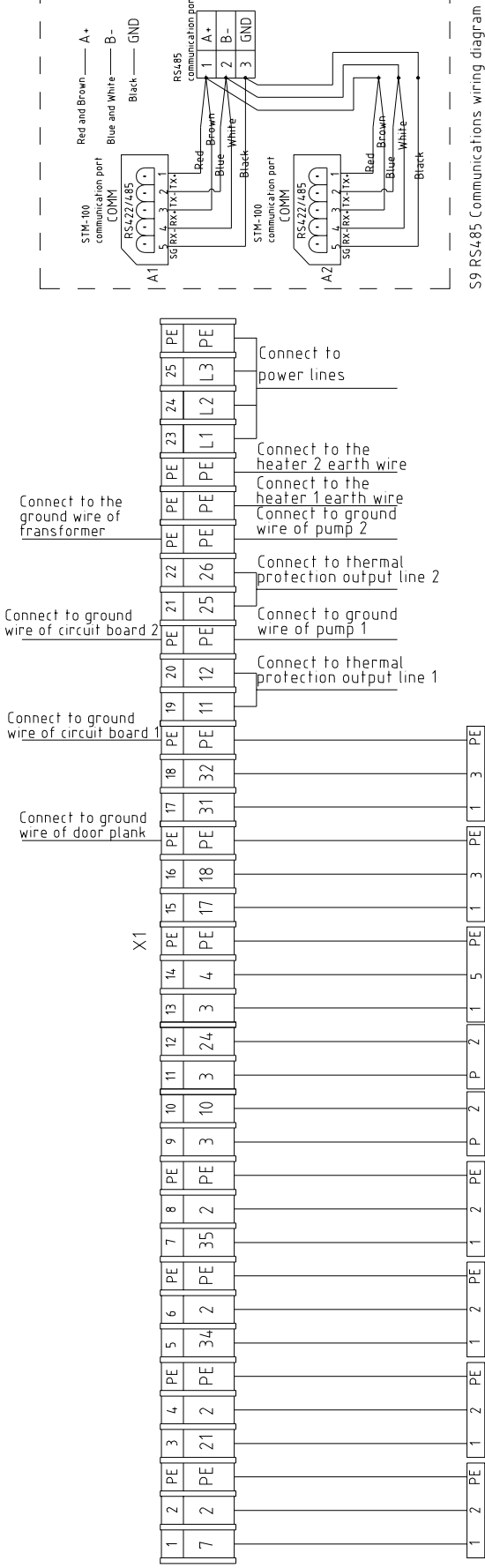
Note: M2 is the overheat protection output contact of water pump 2.



A

B


C



S9 RS485 Communications wiring diagram

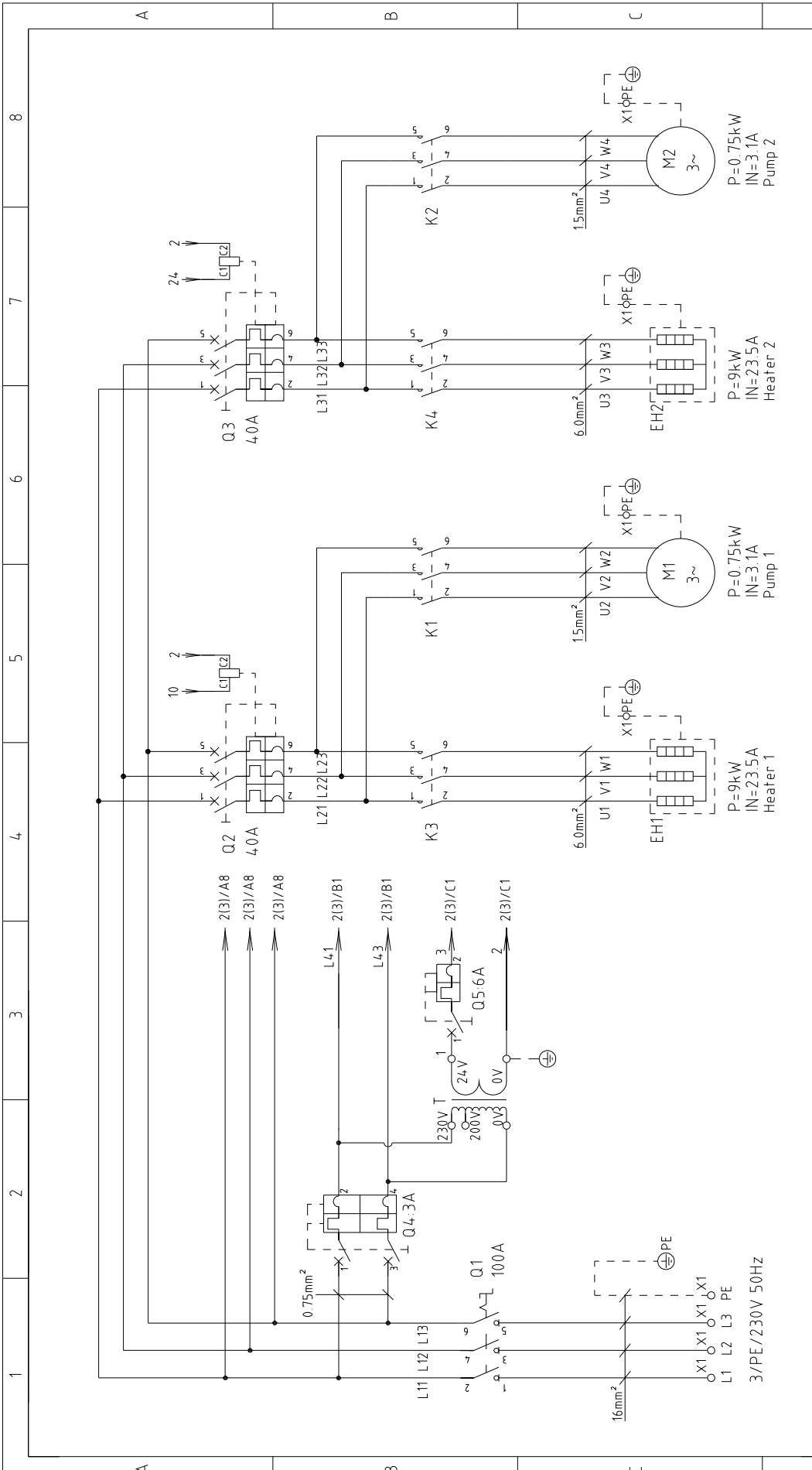
版本 Ver.B

Technical requirements: Pump and pipe heater should be directly connected to the output terminals of contactor and thermal overload relay.

D	Title	Drawing NO		Scale	Page	5
		STM-607WA-D	STM-607WA-D-CE-230V-A-5			
Mark	Version	Terminal Connection Diagram		Standard	Totally	7
		A	CE			
Before modification	Date	20180810	20180810	Voltage	Frequency	230V 50HZ
1	2	3	4	5	6	7
 信易電熱機械股份有限公司 Shini Plastics Technologies, Inc.						
8						

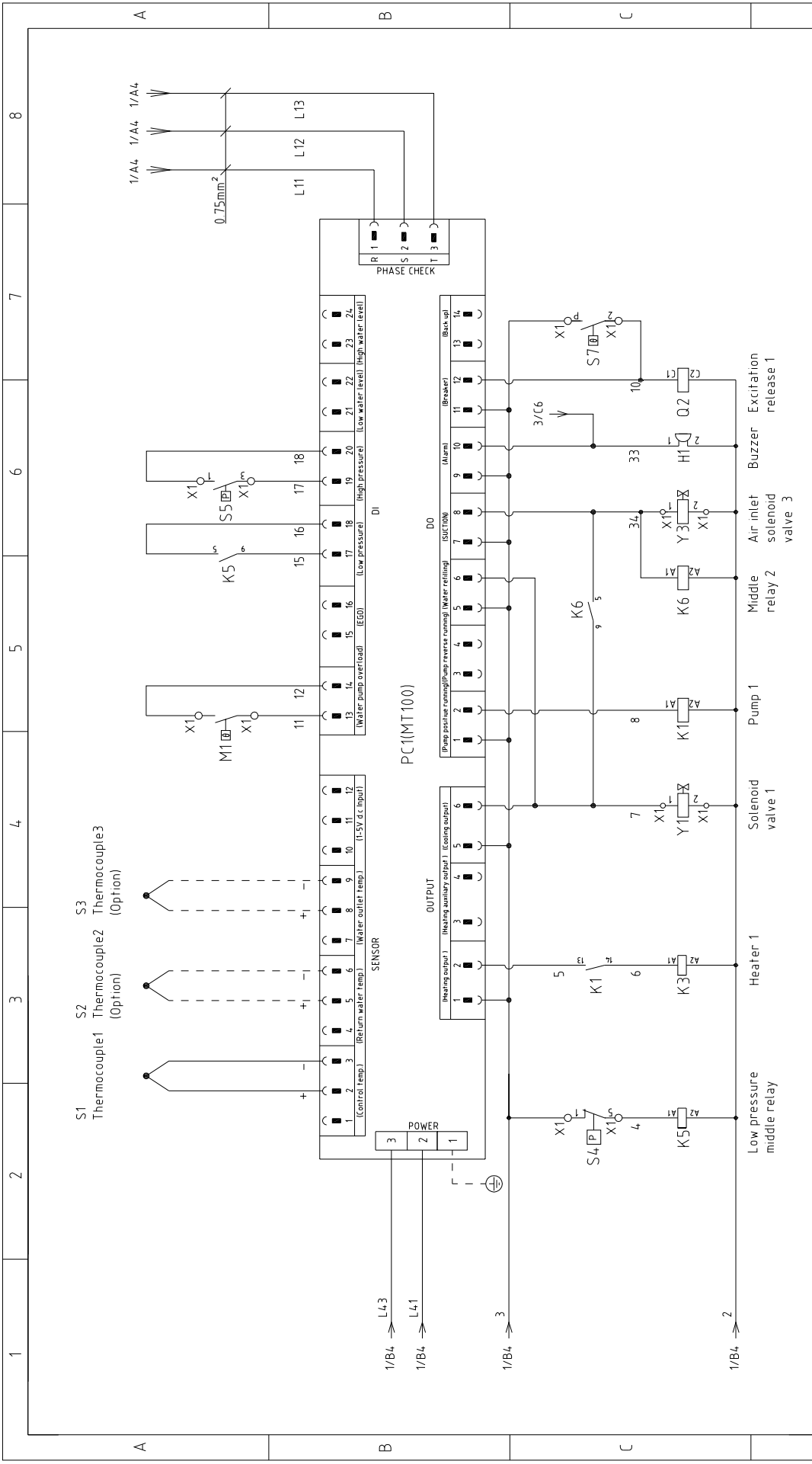
1		2		3		4		5		6		7		8			
NO.	Symbol	Name	Manufacturer	Type	Specification	Number	Material number	Remark									
1	Q1	Main power switch	EATON	P3-63/EA/SVB	63A	1	YE10636300000										
2	Q2 Q3	Circuit breakers	TECO	BM-63C/3025S	25A	2	YE40302503000										
3	A	Excitation release	YECO	MX	24VAC	2	YE40024000000										
4	Q4	Circuit breakers	TECO	BM-63C/2003S 2P	3A	1	YE40200203000										
5	Q5	Circuit breakers	TECO	BM-63C/1006S 1P	6A	1	YE40100600100										
6	K1 K2	Contactors	SIEMENS	3RT6015-1AB01	24VAC	2	YE00601502500										
7	K3 K4	Contactors	SIEMENS	3RT6026-1AC20	24VAC	2	YE00602602600										
8	K5 K6 K7	Middle relay	HONEYWELL	GR-2C-AC24V	24VAC	3	YE03022400300										
9	T	Transformer	JIUXIN	IN=230V/200V OUT=24V	120VA	1	YE70023004500										
10	PC1 A PC2 A	Circuit board	HANYOUNGNUX	STM100-21 (含通讯)	180~4.30V 50/60Hz	2	YE81184.300200										
11	H1	Buzzer	JINGKANG	PK-35A	24VAC/DC	1	YE84.003500600										
12	S1 S11	Thermocouple	SHINI	----	----	2	----	(1)									
13	S2 S3 S12 S13	Thermocouple	SHINI	----	----	4	----	(1)(2)									
14	S4 S5 S6	Water pressure switch	FANSHEN	----	----	3	----	(1)									
15	S7 S8	Overheat protector	TONCEAO	----	----	2	----	(1)									
16	S9	Communication interface board RS-485 (double Dsub-9pin connector)	YUYUN	----	PCS	1	YE90048501200										
17		Shell RS485(SAL-700G-A-19)0	BINCHEG	----	PCS	1	YR40048500000										
18	Y1 Y2 Y3 Y4	Solenoid valve	----	----	24VAC	4	----	(1)									
19	X1	Terminal board	HONEYWELL	SK2 5	----	22	YE60002503200										
20		Terminal board	HONEYWELL	SK2 5PE	----	9	YE60002503400										
21		Terminal board	HONEYWELL	GK5PE	----	2	YE60000403500										
22		Terminal board	HONEYWELL	GK10	----	3	YE60001003200										
23		Terminal board	HONEYWELL	GK10PE	----	1	YE60001003500										
24	M1 M2	Motor	SHINI	TP-55	230V 50Hz 0.55kW	2	----	(1)									
25	EH1 EH2	Heater	SHINI	----	230V 50Hz 6kW	2	----	(1)									
版本 Ver.B Notes: (1)Means it's not the material inside the control box (2)Means equipped with function of displaying water outlet and return water temperature.																	
D		Ver.B		Drawer	Designer	Version	Title		Drawing NO		Scale		Page		D		
						A	STM-607WA-D		STM-607WA-D-CE-230V-A-6		Standard		CE		Totally 7 Pages		
				Proofread by	Approved by	Electrical Components List 1				Voltage		230V					
Mark		Before modification		Modified by	Modify date	Date		20180810		Frequency		50HZ					
1		2		3		4		5		6		7		8			



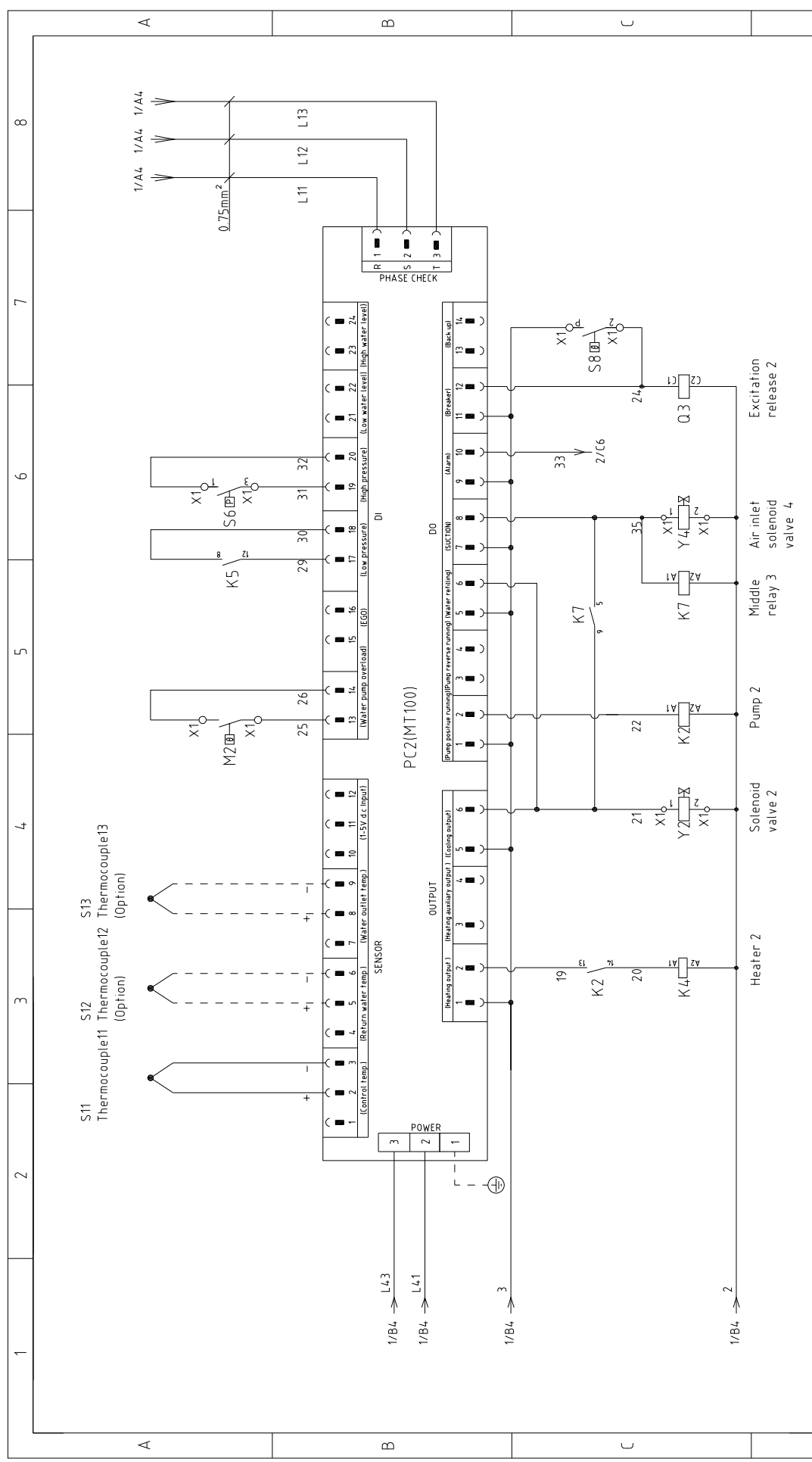


版本	Ver.B	Title	STM-910WA-D		Drawing NO	STM-910WA-D-CE-230V-A-1		Scale	Page	1
						Standard	CE		Totally	7
Mark	Before modification	Date	20180810		Date	20180810		Voltage	230V	
	After modification		Modify date	20180810		Checked by	Frequency		50HZ	





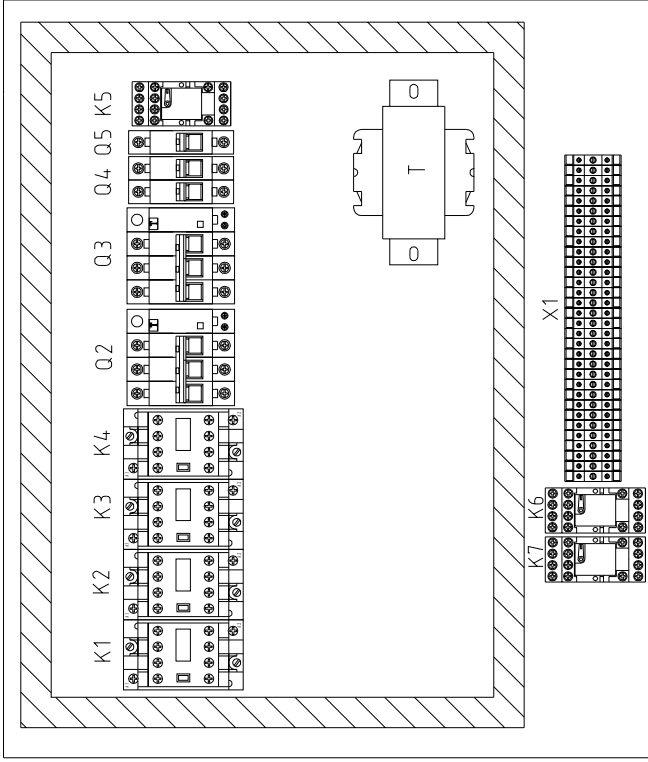
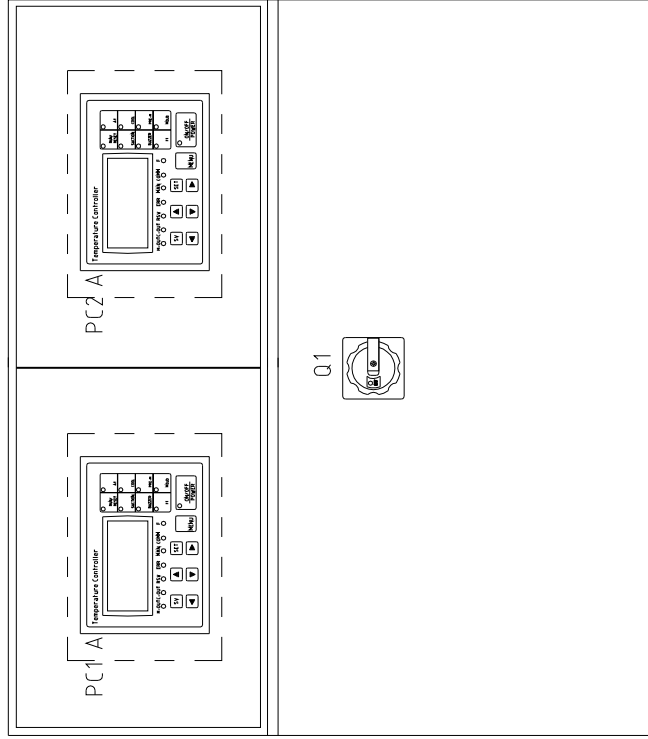
版本	Ver.B	Note: M1 is the overheat protection output contact of water pump 1.		Drawing NO		Page 2	
Mark	Before modification	Modified by	20180810	Title		STM-910WA-D	
Mark	After modification	Modified by	20180810	Version		A	
Mark	Before modification	Modified by	20180810	Designer		STM-910WA-D	
Mark	After modification	Modified by	20180810	Proofread by		Control Circuit Diagram 1	
Mark	Before modification	Modified by	20180810	Approved by		STM-910WA-D-CE-230V-A-2	
Mark	After modification	Modified by	20180810	Date		Voltage	
Mark	Before modification	Modified by	20180810	Scale		Frequency	
Mark	After modification	Modified by	20180810	Standard		230V	
Mark	Before modification	Modified by	20180810	Totally		50HZ	
Mark	After modification	Modified by	20180810	Pages		7	
信易電熱機械股份有限公司		SHINI		SHINI		SHINI	
Shini Plastics Technologies, Inc.		SHINI		SHINI		SHINI	



版本 Ver.B Note: M2 is the overheat protection output contact of water pump 2.

Scale	Standard	CE	Page	3
Drawing NO		STM-910WA-D-CE-230V-A-3	Totally	7 Pages
Title		STM-910WA-D	Voltage	
Control Circuit Diagram 2		Frequency		230V
Version	A	信易电热机械股份有限公司 Shini Plastics Technologies, Inc.		
Designer	Approved by			
Proofread by	Date	20180810	Frequency	
Checked by	Modify date	50HZ		
Mark	After modification	2	8	

1 2 3 4 5 6 7 8



A B C

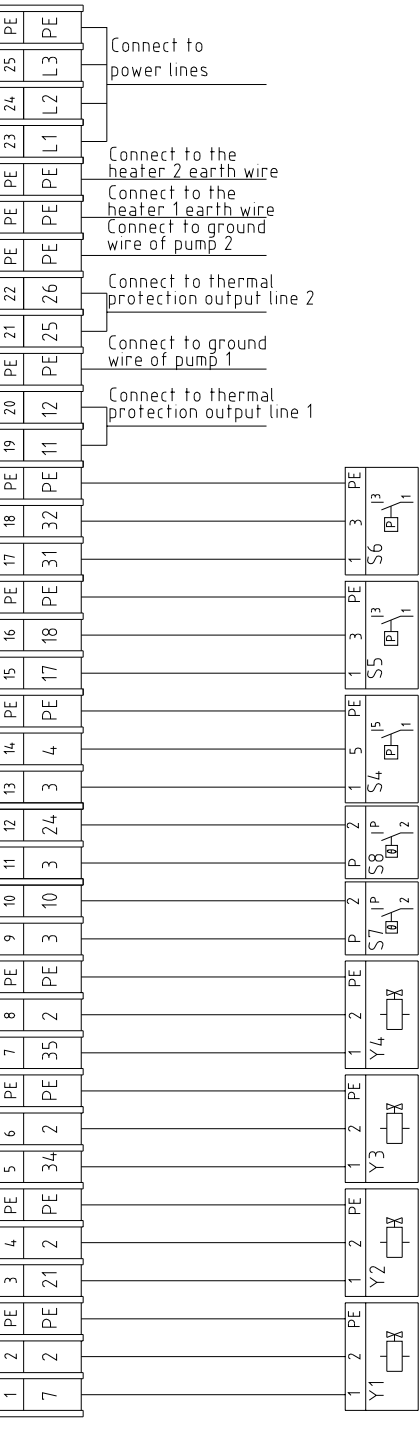
版本 Ver.B

D	Mark	Before modification	Modified by	Modify date	Checked by	Proofread by	Designer	Drawer	Version	A	Title	STM-910WA-D Electrical Components Layout	Drawing NO	STM-910WA-D-CE-230V-A-4	Scale	Standard	CE	Page	4
		After modification							Approved by									Totally	7
									Date	20180810								Voltage	230V
																		Frequency	50HZ



1 2 3 4 5 6 7 8

A



Connect to ground wire of door plank

Connect to ground wire of circuit board

Connect to the ground wire of transformer

Connect to power lines

Connect to the heater 2 earth wire

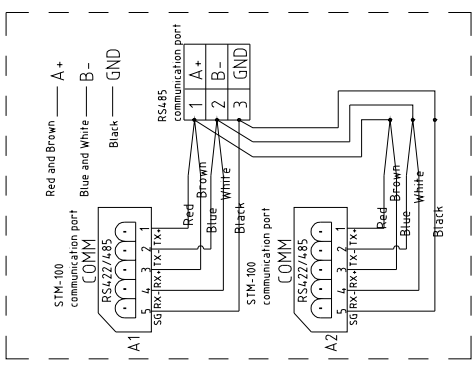
Connect to the heater 1 earth wire

Connect to ground wire of pump 2

Connect to thermal protection output line 2

Connect to ground wire of pump 1


Connect to thermal protection output line 1



S9 RS485 Communications wiring diagram


版本 Ver.B

Technical requirements: Pump and pipe heater should be directly connected to the output terminals of contactor and thermal overload relay.

D	Title	STM-910WA-D	Drawing NO	Page	5
		Terminal Connection Diagram		Standard	Totally
Mark	Before modification	Modified by	Modify date	Voltage	230V
				Frequency	50HZ
1	2	3	4	5	6
1	2	3	4	5	6
 信易电热机械股份有限公司 Shini Plastics Technologies, Inc.					
STM-910WA-D-CE-230V-A-5					
8					

1		2		3		4		5		6		7		8	
NO.	Symbol	Name	Manufacturer	Type	Specification	Number	Material number	Remark							
1	Q1	Main power switch	EATON	P3-100/EA/SVB100A	100A	1	YE100100000000								
2	Q2 Q3	Circuit breakers	TECO	BM-63C/3040S	40A	2	YE40304003000								
3		Excitation release	TECO	MX	24VAC	2	YE40024000000								
4	Q4	Circuit breakers	TECO	BM-63C/2003S 2P	3A	1	YE40200203000								
5	Q5	Circuit breakers	TECO	BM-63C/1006S 1P	6A	1	YE40100600100								
6	K1 K2	Contactors	SIEMENS	3RT6015-1AB01	24VAC	2	YE00601502500								
7	K3 K4	Contactors	SIEMENS	3RT6027-1AC20	24VAC	2	YE00602702600								
8	K5 K6 K7	Middle relay	HONEYWELL	GR-2C-AC24V	24VAC	3	YE03022400300								
9	T	Transformer	JIUXIN	IN=230V/200V OUT=24VAC	120VA	1	YE70023004500								
10	PC1 A PC2 A	Circuit board	HANYOUNGNUX	STM100-21 (含通讯)	180~4.30V 50/60Hz	2	YE81184300200								
11	H1	Buzzer	JINGKANG	PK-35A	24VAC/DC	1	YE84003500600								
12	S1 S11	Thermocouple	SHINI	----	----	2	----	(1)							
13	S2 S3 S12 S13	Thermocouple	SHINI	----	----	4	----	(1)(2)							
14	S4 S5 S6	Water pressure switch	FANSHEN	----	----	3	----	(1)							
15	S7 S8	Overheat protector	TONCEAO	----	----	2	----	(1)							
16	S9	Communication interface board RS-485 (double Dsub-9pin connector)	YUYUN	----	PCS	1	YE90048501200								
17		Shell RS485(SAL-700G-A-1910)	BINCHEG	----	PCS	1	YR40048500000								
18	Y1 Y2 Y3 Y4	Solenoid valve	----	----	24VAC	4	----	(1)							
19	X1	Terminal board	HONEYWELL	SK2.5	----	22	YE60002503200								
20		Terminal board	HONEYWELL	SK2.5PE	----	9	YE60002503400								
21		Terminal board	HONEYWELL	GK6PE	----	2	YE60000603500								
22		Terminal board	HONEYWELL	GK16	----	3	YE60001603200								
23		Terminal board	HONEYWELL	GK16PE	----	1	YE60001603500								
24	M1 M2	Motor	SHINI	TP-75	230V 50Hz 0.75kW	2	----	(1)							
25	EH1 EH2	Heater	SHINI	----	230V 50Hz 9kW	2	----	(1)							
版本 Ver.B															
Notes: (1)Means it's not the material inside the control box (2)Means equipped with function of displaying water outlet and return water temperature.															
D		Drawing NO		Title		Version		A		STM-910WA-D		Scale		Page	
				Electrical Components List 1		Approved by				STM-910WA-D-CE-230V-A-6		Standard		Totally	
												CE		6	
Mark		Before modification		Modified by		Modify date		Date		20180810		Voltage		230V	
												Frequency		50HZ	
1		2		3		4		5		6		7		8	



1	2	3	4	5	6	7	8		
NO.	Symbol	Name	Manufacturer	Type	Specification	Number	Material number	Remark	
26		Terminal fittings E/Gkseries(honeywell)	HONEYWELL	----	PCS	6	YE60000003900		
A									
B									
C									
D									
版本 Ver.B Notes: (1)Means it's not the material inside the control box.(2)Means equipped with function of displaying water outlet and return water temperature.									
			Version	A	Title		Scale		
			Drawer		STM-910WA-D		Standard	Page 7	
			Designer	Approved by	Electrical Components List 2		CE	Totally 7 Pages	
			Proofread by	Date	STM-910WA-D-CE-230V-A-7		Voltage	230V	
			Checked by	20180810			Frequency	50HZ	
Mark	Before modification	Modified by	Modify date	 信易電熱機械股份有限公司 Shini Plastics Technologies, Inc.					8