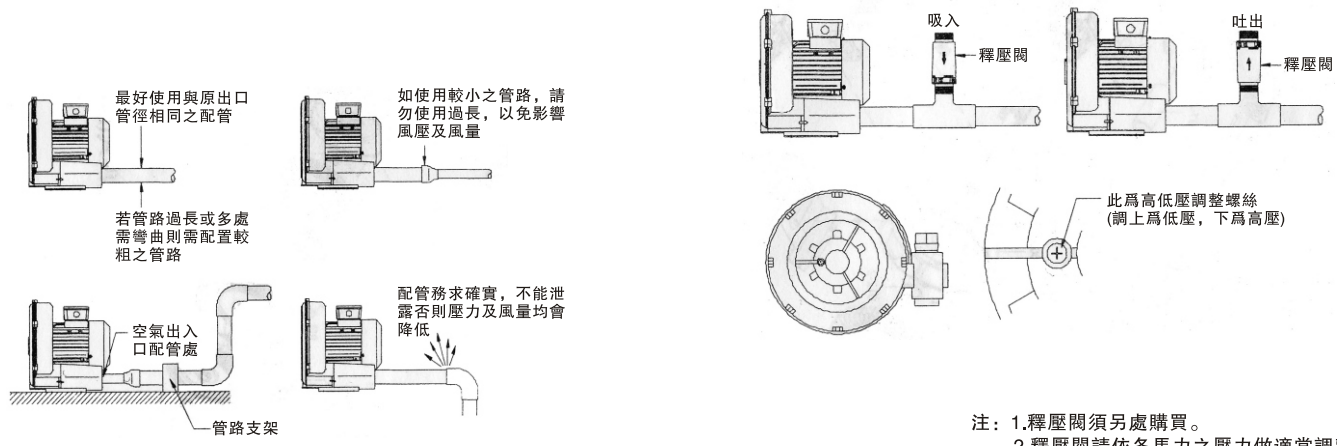


【安裝注意事項】

注意事項	所需條件
1. 安裝地點	須安裝於室內不受風雨侵襲之處。
2. 環境溫度	40°C以下
3. 相對濕度	80%以下
4. 空氣品質	空氣中若含有酸、鹼等腐蝕性或易燃性氣體，不應以鼓風機輸送，以避免發生危險。
5. 塵埃	應避免在空氣中含有大量塵埃、粉粒體或纖維等場所使用如必需在此類場合使用時，請加裝過濾器，並定期清理附著在濾網及鼓風機內部之塵埃。
6. 通風狀況	請選擇在通風良好之場所使用，不可在密閉室或密閉箱中使用。
7. 空間	為例行維護或修理方便，請避免安裝過於狹小之地點。
8. 避免振動	請安裝在無振動場所。若必需安裝於此類場合，須加裝防振動措施，以避免鼓風機受到外界之振動而損壞。

【主機配管方式】



注意：為避免配管的重量及外界的其他負荷全部集中於配管處，請在適當處增設管路支架

1. 安裝前請先確認電源之電壓與馬達之使用電壓是否相符，以及配線時先確認馬達之端子接法是否正確(參考配線端子蓋內接線圖)，每條電線確實鎖緊，確認無短路現象，以免漏電並安裝接地線。(端子之6個接線螺絲互不相通，須以銅片連結)
2. 如需安裝於室外時，應在鼓風機上方加遮雨棚以避免雨淋。散熱風口應防止異物吸入及粉塵阻塞。
3. 配管請使用能承受鼓風機壓力及高溫之高品質耐久性材料。配管務必確實，避免漏氣及管內不可有異物。測試時，切勿使異物吸入鼓風機內部。
4. 請依鼓風機外殼上箭頭顯示之空氣出入口安裝，葉片旋轉方向也如箭頭所示。如將出入口反接，雖然也可運轉，但效率較低。

【使用注意事項】

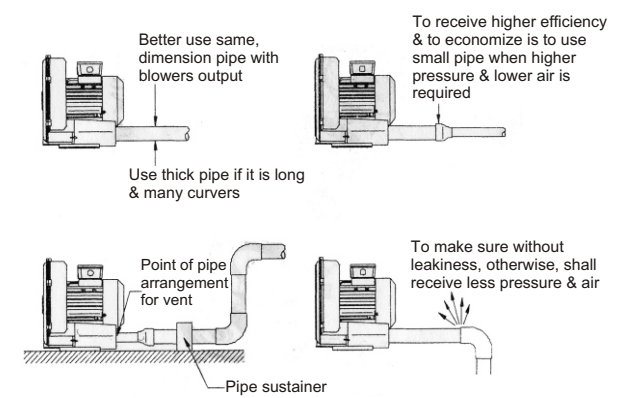
1. 鼓風機使用中會產生高溫，應避免碰觸外殼以免燙傷。
2. 馬達負載電流會隨鼓風機之使用空氣壓力而變化。配線時應裝置適用該機種之過負載保護開關，並在額定滿載電流(A)下使用，以避免馬達燒毀。(額定滿載電流請參照馬達上之銘牌)
3. 高壓鼓風機連續運轉的適用範圍請參考目錄上之風量--靜壓曲線圖，並在曲線範圍內使用，但如接近高壓時，切勿超過適用範圍。若使用時必需接近封閉壓力，則最好在管路中設置壓力釋放閥，當使用管路封閉時，壓力釋放閥會放開調節空氣進出以確保鼓風機之壽命。(如下圖)
若在管路封閉下運轉，則鼓風機之溫度會急劇上升，此時應避免持續運轉，否則可能會發生變形或損壞。同時在封閉狀況，或在連續使用範圍以下之風量，都會受限制。空氣若為間歇性運轉，最好以空氣閥切換方式運作。

4. 鼓風機的空氣溫度變化，當空氣流量接近封閉狀態時，溫度會急劇上升，故應特別注意此種狀況的發生。若溫度會上升，切勿將鼓風機置於密閉室內使用。
5. 硬質物體、塵埃、粉粒體、纖維及水滴應在空氣進入鼓風機前除去，可用集塵袋等方式處理。若在管路中途裝置過濾器，以避免降壓的損失，請使用大面積過濾器，並定時清理過濾中之污染物。
6. 應定時清理鼓風機內部及外部(特別是冷卻風扇的空氣通路)，除去表面灰塵。若大量累積灰塵，散熱效果差會造成溫度上升，風量減少，振動增加而造成故障。
7. 軸承、油封及消音器等屬於消耗器，故有一定壽命，需定時更換。同時葉片、外殼、金屬網等也須依使用環境而定期更換。
8. 使用中若運轉不順或不正常噪音出現，請關閉電源檢修。

【INSEALLATION】

ITEM	CONDITION
1. Location	Install indoor without invasion of rain and wind.
2. Ambient temperature	Under 40°C
3. Humidity	Under 80%
4. Air condition	It is too dangerous to switch on the "ring-blower", while air consists of acid, alkali and something erosive.....etc., or the air itself is combustibile and explosive.
5. Dust	It is essential to avoid operation in these places where the air consists of multitude dust, power or cellulose. If necessary, clean up the dust attached inside the blower regularly.
6. Ventilation	To operate in good-ventilation place. Using in closed up room or closed up box is prohibited.
7. Space	Install in a big place in order to have repairs or regular maintenance.
8. Vibration	Install in a place without vibration. If necessary, must add up an equipment of vibration-proof avoiding from damage caused by factors outside.

【PIPE ARRANGEMENT】



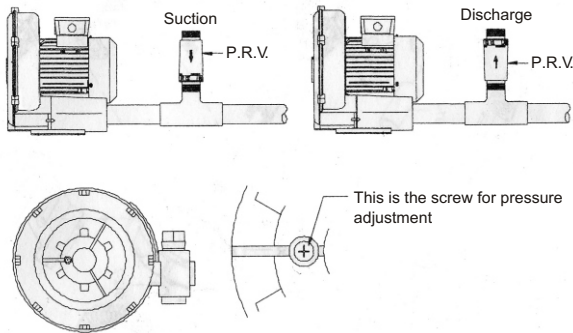
Attention: To install more sustainers avoids the weight & other burden outside concent on pipe.

1. Make sure the voltage of power supply fits required voltage of motor before installation, and ensure right connection for motor end before the wire arrangement (Ref: Diagram on the cover of terminal box), screw up every wire tightly without circuit short, set up an earth wire to prevent an electric leak. (6 screws on socket are isolated needed copper laminations to have a connection).
2. If to install outdoor is required, should have a shelter above the flower from invasion of rain. Prevent anything being sucked into the cooling fan or dust blocking the vent.
3. Pipe arrangement: It is required to adopt high quality, lasting material for sustaining blower's high temperature and pressure. Ensure no article in the pipe & no leak itself. Anything prohibit falling into blower.
4. Installation shall follow the arrow for air vent, so as to impeller, otherwise, will receive less efficiency.

【 CAUTION 】

1. Blower running produces high temperature, do not touch its shell from being burnt.
2. Loading currency will cause difference combined with the flowing. Wire arrangement shall be accommodated enough for protection and operate under full loading currency (A) to avoid burning down. (Full loading ampere: refer to nameplate on the motor)
3. Refer to pressure curve in catalogue for the proper continuing operation of range. Do not operate over the range. Better install a "pressure relief valve" on the way of pipe when the operation is always closed to full loading in order to gain long life, since "pressure relief valve" will open & let in the air when it is totally closed. Re: illustration Blower's temperature will rise rapidly at totally closed output operation, stop it immediately to avoid damage. At the same time, the air will be limited under the condition of totally close or under the condition of over continuing operation range. Better run the motor for interval or operate by switch "pressure relief valve" when the air required is interval.

P.R.V-pressure relief valve



ATTN.: To have proper adjustment, and be ware of the direction when install.

4. The temperature will rise rapidly when the flowing is nearly to lock-up, that's why should pay special attention to this situation. Do not operate in a room without ventilation if the temperature rises.
5. Adopt "dust collected bag" to remove solids, dust, granule, cellulose and water bead before the air flowing into blower. Batter to adopt large filter to avoid loss of pressure when install a filter in the middle of pipe, and clean up regularly.
6. Clean up the inner and outer at fixed time (specially, the vent of cooling fan) in order to remove dust on surface. Less air, more vibration, high temperature & damage will be caused by large dust accumulated.
7. Bearings, seals & silencers belong to consumption, should have changed for every period of time regularly, meanwhile, so as to impeller, shall, metal net, etc., combined with working environment to have changed regularly.
8. Turn "off" power supply and check up when there is unexpected noise or rough running happened.

