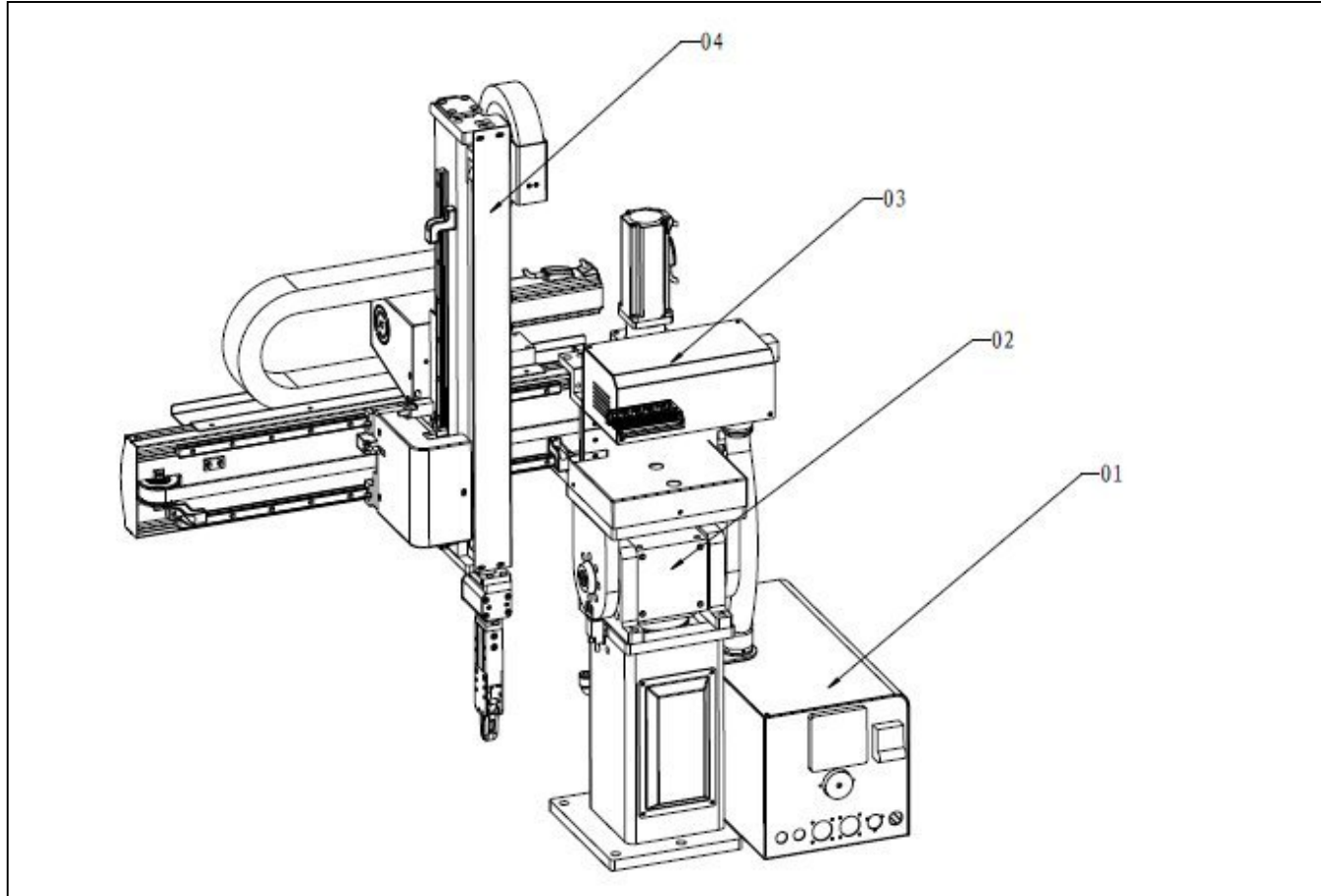


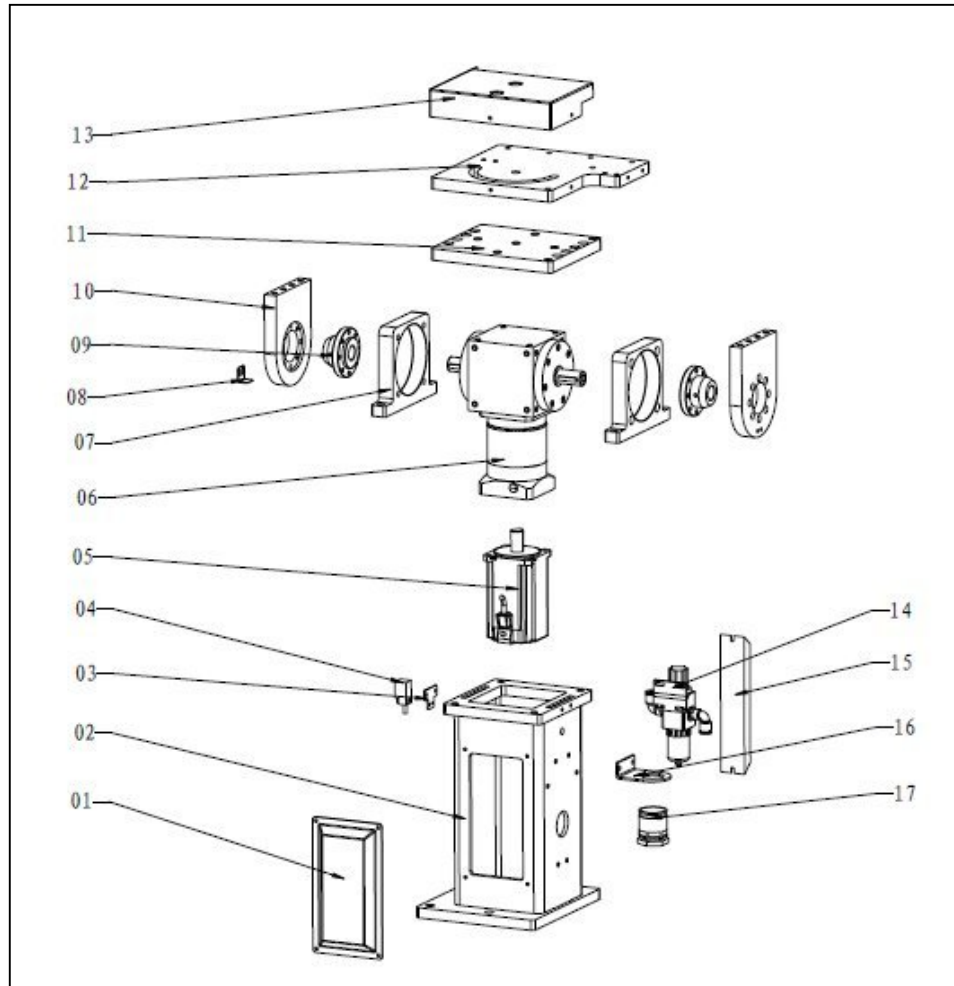
1. Robot Unit(SS3-650T-1)



Parts Name

1. control box 2. Base unit 3. crosswise unit 4. main arm unit

## 2. Base Unit Assembly Drawing



Note: Details of Arabic numerals in parts drawing please refer to Components List 3.

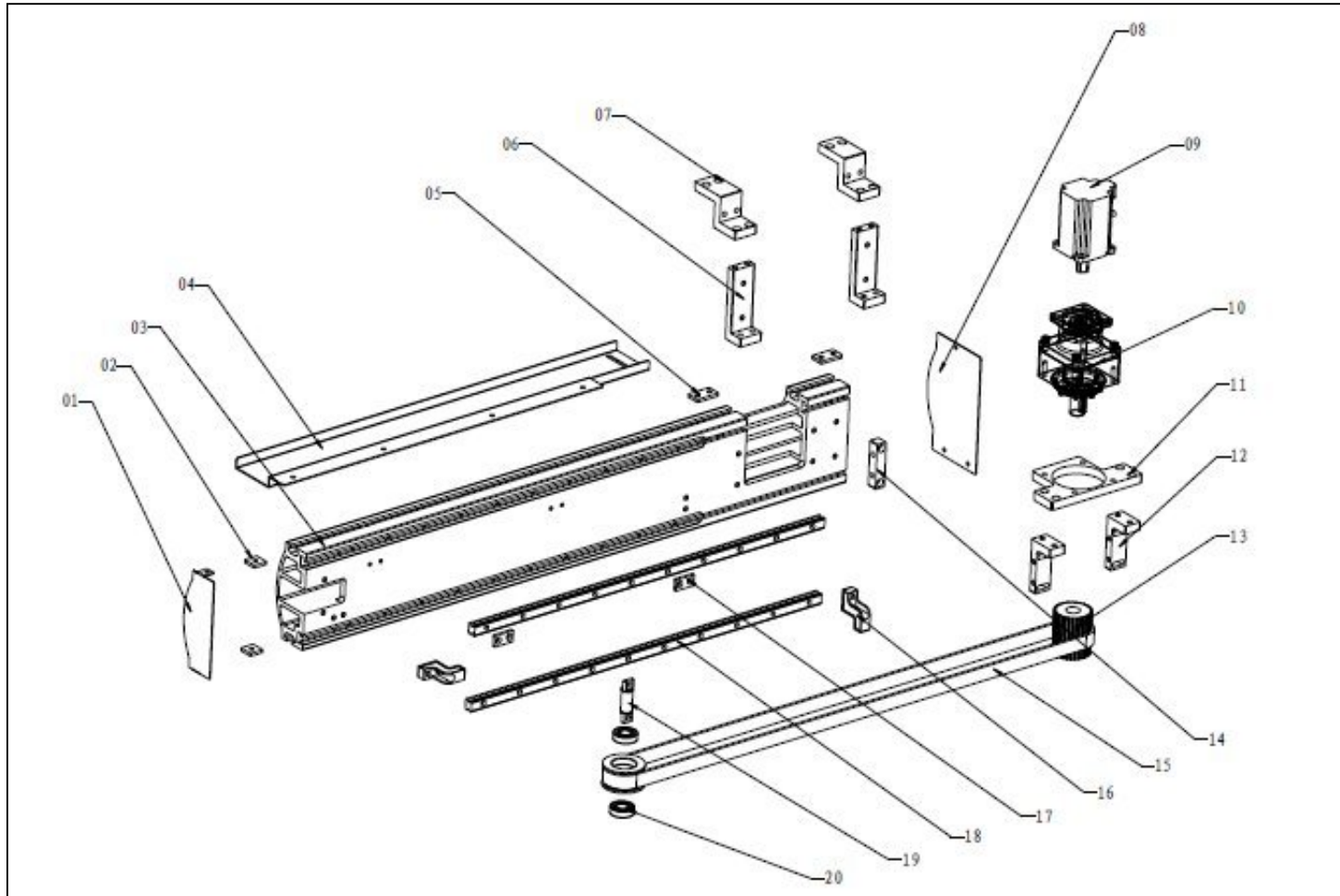
### 3. Parts List

No.	Name	Parts No.	No.	Name	Parts No.
01	Motor cover plate	BL70365000120	10	Motor mounting plate C	BH71365000410
02	Base	BH71365000110	11	Motor mounting plate D	BH71365000510
03	Proximity mounting plate	BL70365000320	12	Motor mounting plate E	BH71365000610
04	Proximity switch	YE15050300300	13	Rotary cover plate	BL70365000920
05	Motor*	YM10750000200	14	Filter & pressure regulating valve	YE15500200000
06	Reducer T type	YM50110700100	15	Brake resistance	YE20300500100
07	Motor mounting plate B	BH71365000210	16	Corrugated pipe fixing plate	BL70365001220
08	Sensor board	BL70365000220	17	Corrugated pipe connector	YE67034500300
09	Motor connecting shaft	BH71365000310	18		

\*\* means easy broken part and spare backup is suggested. \* means possible broken parts.

Please confirm the version of manual before placing the purchase order to guarantee that the item number of the spare part is in accordance with the real object.

#### 4. Crosswise Components Assembly Drawing



Note: Details of Arabic numerals in parts drawing please refer to Components List 5.

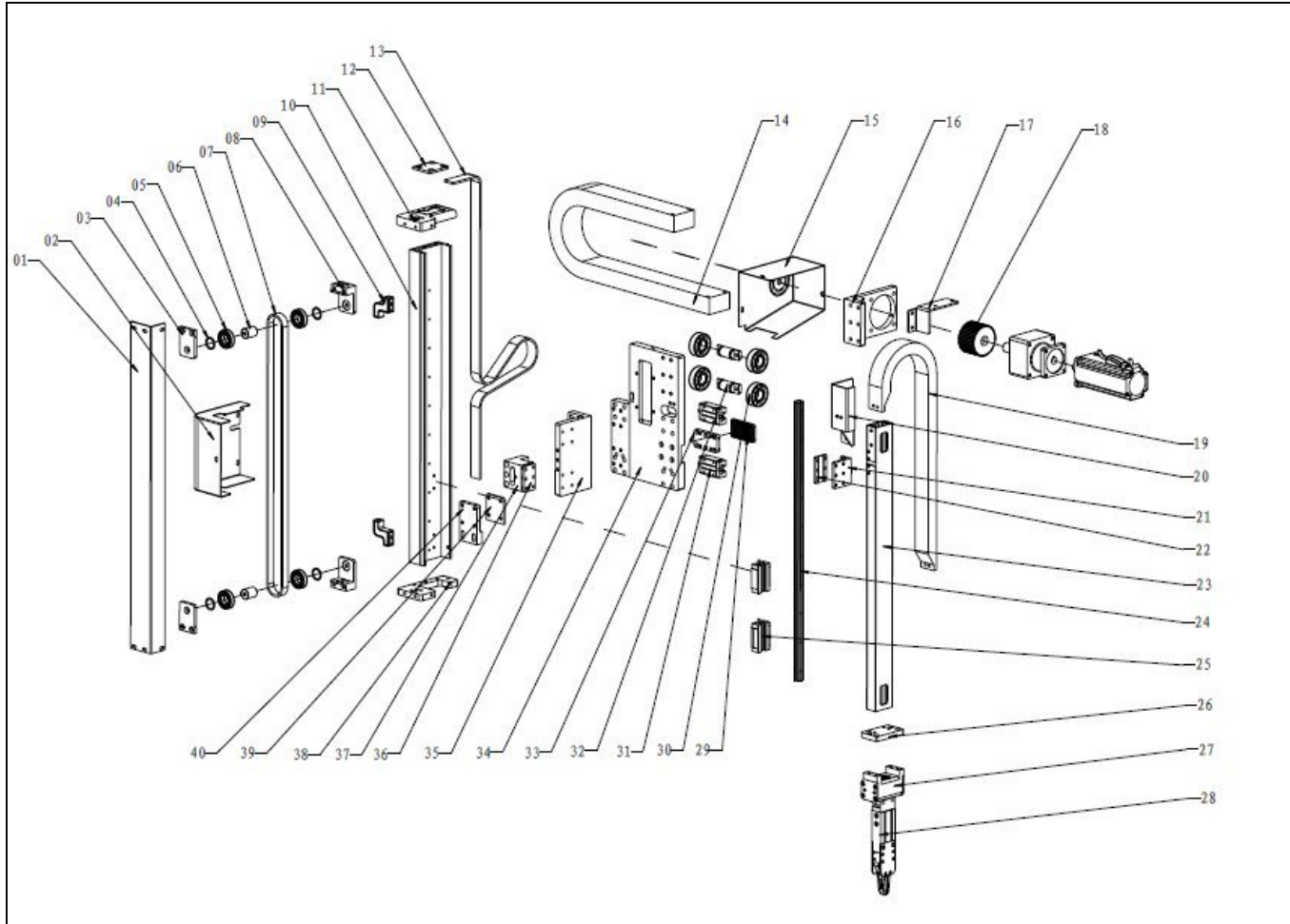
## 5. Parts List

No.	Name	Parts No.	No.	Name	Parts No.
01	Crosswise front cover plate	BL70365001720	12	Motor fixing plate B	BH71365000910
02	Crosswise lock block C	BL70365002420	13	Synchronous wheel $\phi 49.79 * \phi 19 * H60$	YW08497900800
03	Crosswise profile	BH71365000710	14	Motor fixing plate C	BH71365001010
04	Crosswise drag chain plate	BL70365001820	15	Belt **	YR00255000300
05	Crosswise lock block B	BL70365002320	16	Anti-collision limit block	YW09200000200
06	Crosswise fixing block B	BH71365001310	17	Crosswise sensor board	BL70365001620
07	Crosswise fixing block A	BH71365001210	18	15 linear slider *	YW31152500100
08	Crosswise rear cover plate	BL70365002020	19	Driven wheel mounting shaft A	BH71365001110
09	Motor *	YM10204300200	20	6002-2Z bearing*	YW11600200000
10	Reducer	YM50540000800			
11	Motor fixing plate A	BH71365000810			

\*\* means easy broken part and spare backup is suggested. \* means possible broken parts.

Please confirm the version of manual before placing the purchase order to guarantee that the item number of the spare part is in accordance with the real object.

## 6. Main Arm Assembly Drawing



Note: Details of Arabic numerals in parts drawing please refer to Components List 7.

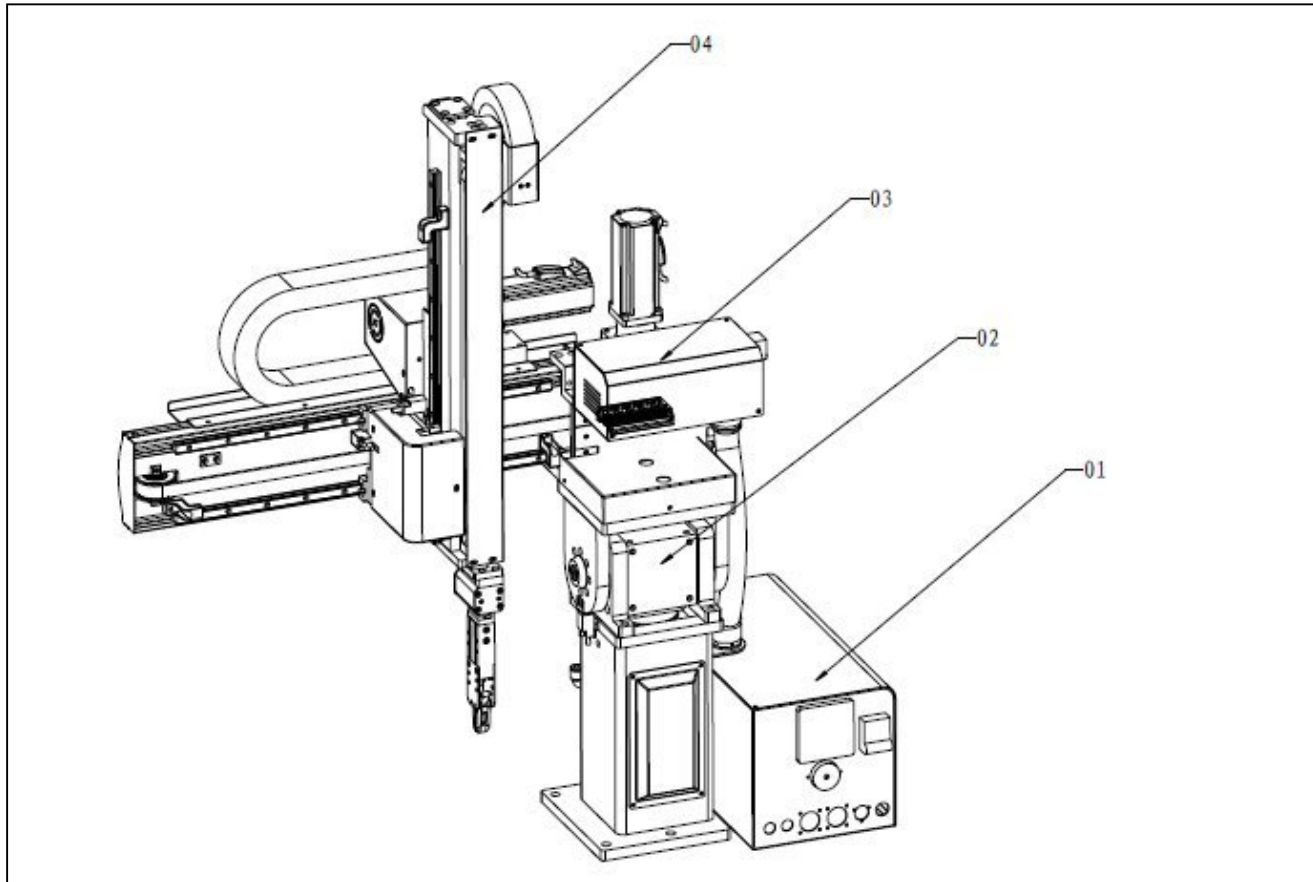
## 7.Parts List

No.	Name	Parts No.	No.	Name	Parts No.
01	Arm cover plate	BL70365002620	22	Synchronous belt fixing block C	BL70365003220
02	Arm cover	BL70365003020	23	Arm profile 02	BH71023600110
03	Idle pulley fixing block B	BH71365002310	24	15 linear slider *	YW31152500100
04	Idle pulley ring	BL70365003120	25	Sliding block MSB15 four holes (PMI)*	YW31151100000
05	6904-2Z bearing*	YW11618040000	26	Mounting plate of pneumatic rotary set	BH71365001710
06	Idle pulley shaft	BH71365002410	27	Pneumatic rotary set	YW20009001500
07	20 belt **	YR00205000000	28	Clamp	YW09201501600
08	Idle pulley fixing block A	BH71365002210	29	Synchronous belt fixing teeth plate 1	BH79051701510
09	Anti-collision limit block	YW09200000200	30	Bearing (TPI)*	YW11620401300
10	Arm profile 01	BH71013600110	31	Sliding block four holes (PMI)*	YW31151100000
11	Arm upper cover plate	BH71365002110	32	Driven wheel mounting shaft B	BH71365001910
12	Belt clamp plate connector	BL70110100020	33	Crosswise pressing plate	BL76050702120
13	20 belt 1100**	YR00205000000	34	Arm sliding plate	BH71365001410
14	25*38R75 drag chain*	YE60253801200	35	Arm adapter plate	BH71365001510
15	Arm motor cover	BL70365002920	36	Synchronous belt fixing block C	BL70365003220
16	Arm motor mounting plate	BH71365002010	37	Synchronous belt fixing block A	BH71365001810
17	Drag chain fixing plate	BL70365003320	38	Arm lower end plate	BH71365001610
18	Arm upper and lower driving wheel	YW08033600000	39	Belt clamp plate connector	BL70110100020
19	18*25*R55 drag chain*	YE68182500000	40	Belt pressing plate 2	YW09021600000
20	Arm drag chain mounting plate	BL70365002820			
21	Synchronous belt fixing block B	BH71365002510			

\*\* means easy broken part and spare backup is suggested. \* means possible broken parts.

Please confirm the version of manual before placing the purchase order to guarantee that the item number of the spare part is in accordance with the real object.

1. Robot Unit(SS3-750T-1)

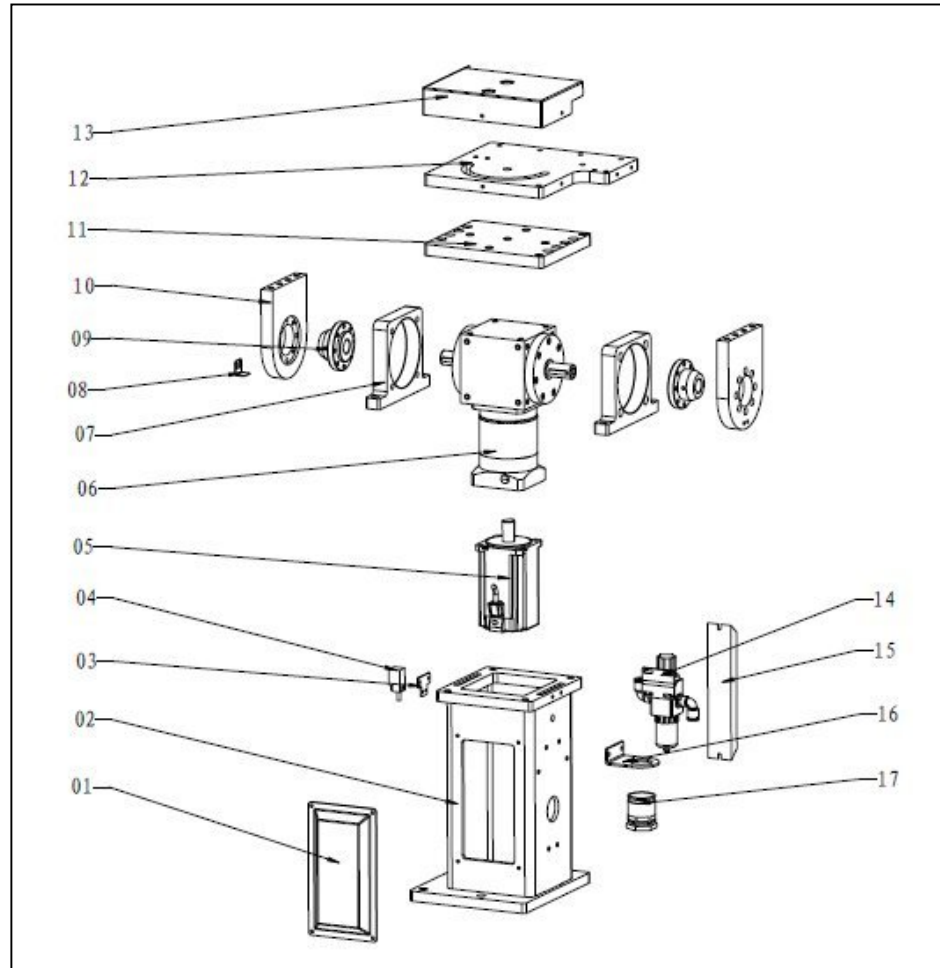


Parts Name:

1. control box 2. Base unit 3. crosswise unit 4. main arm unit



## 2. Base Unit Assembly Drawing



Note: Details of Arabic numerals in parts drawing please refer to Components List 3.

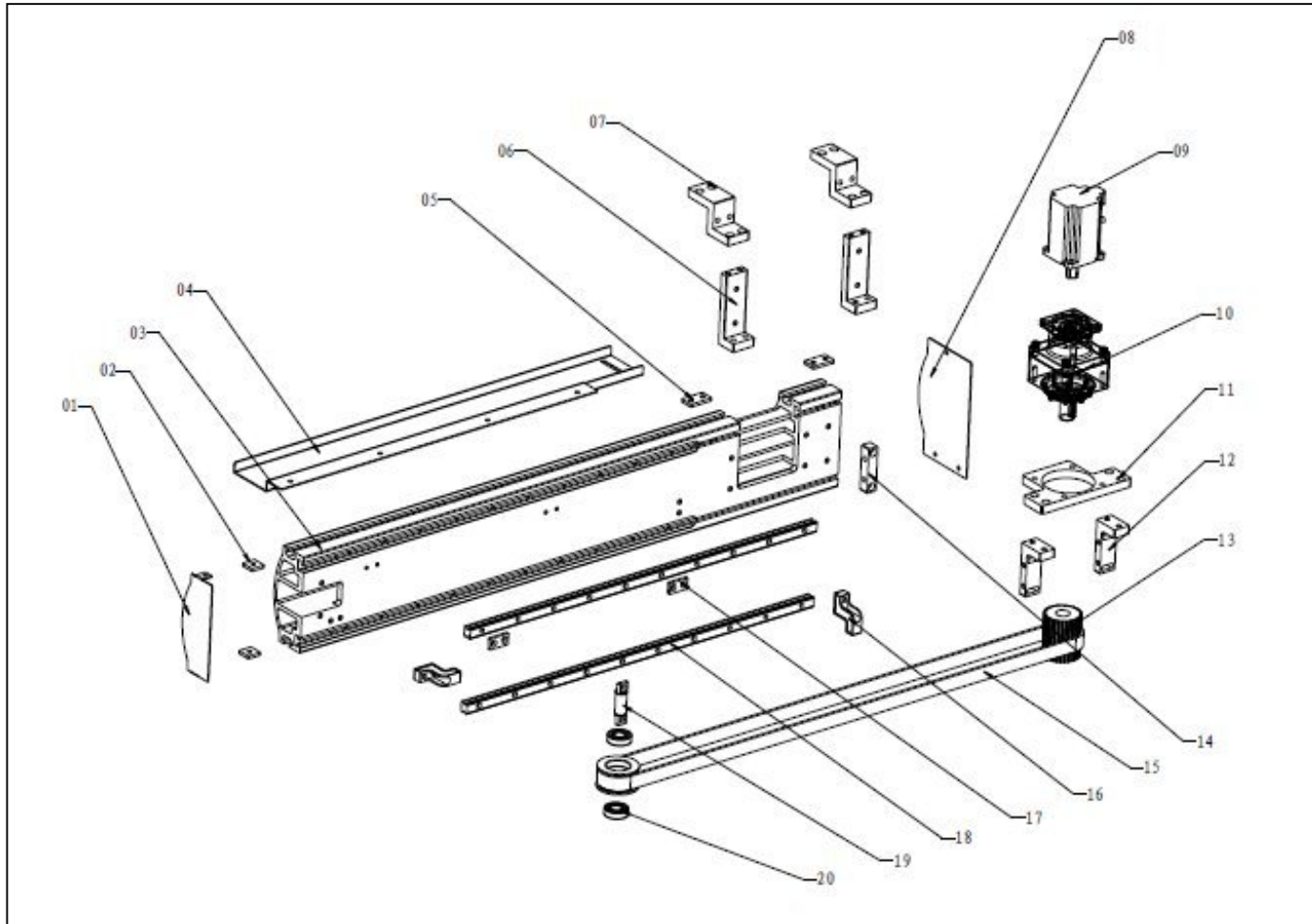
### 3. Parts List

No.	Name	Parts No.	No.	Name	Parts No.
01	Motor cover plate	BL70365000120	10	Motor mounting plate C	BH71365000410
02	Base	BH71365000110	11	Motor mounting plate D	BH71365000510
03	Proximity mounting plate	BL70365000320	12	Motor mounting plate E	BH71365000610
04	Proximity switch	YE15050300300	13	Rotary cover plate	BL70365000920
05	Motor*	YM10750000200	14	Filter & pressure regulating valve	YE15500200000
06	Reducer T type	YM50110700100	15	Brake resistance	YE20300500100
07	Motor mounting plate B	BH71365000210	16	Corrugated pipe fixing plate	BL70365001220
08	Sensor board	BL70365000220	17	Corrugated pipe connector	YE67034500300
09	Motor connecting shaft	BH71365000310	18		

\*\* means easy broken part and spare backup is suggested. \* means possible broken parts.

Please confirm the version of manual before placing the purchase order to guarantee that the item number of the spare part is in accordance with the real object.

#### 4. Crosswise Components Assembly Drawing



Note: Details of Arabic numerals in parts drawing please refer to Components List 5.

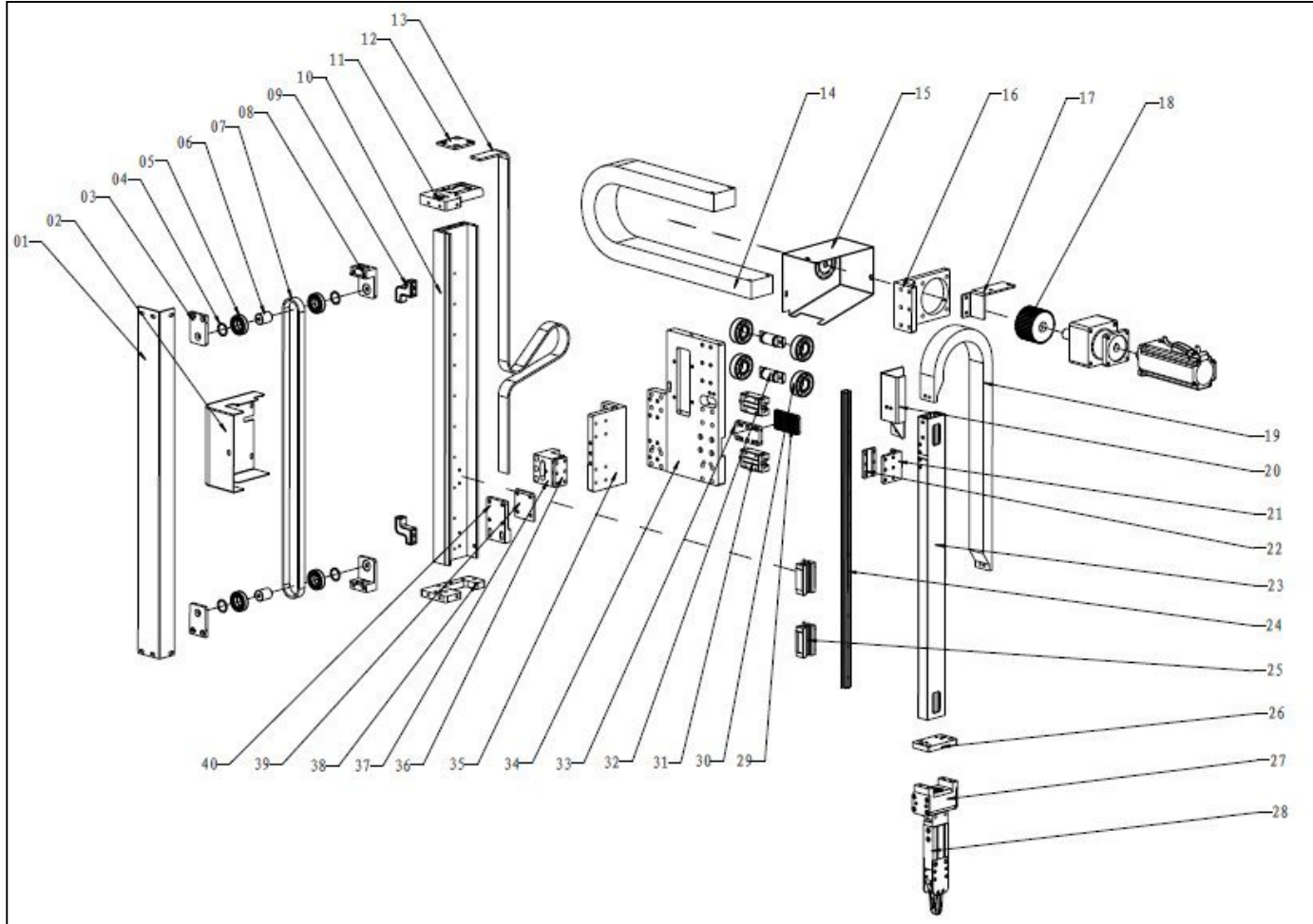
#### 4. Parts List

No.	Name	Parts No.	No.	Name	Parts No.
01	Crosswise front cover plate	BL70365001720	12	Motor fixing plate B	BH71365000910
02	Crosswise lock block C	BL70365002420	13	Synchronous wheel φ49.79*φ19*H60	YW08497900800
03	Crosswise profile	BH71365000710	14	Motor fixing plate C	BH71365001010
04	Crosswise drag chain plate	BL70365001820	15	Belt **	YR00255000300
05	Crosswise lock block B	BL70365002320	16	Anti-collision limit block	YW09200000200
06	Crosswise fixing block B	BH71365001310	17	Crosswise sensor board	BL70365001620
07	Crosswise fixing block A	BH71365001210	18	15 linear slider *	YW31152500100
08	Crosswise rear cover plate	BL70365002020	19	Driven wheel mounting shaft A	BH71365001110
09	Motor *	YM10204300200	20	002-2Z bearing*	YW11600200000
10	Reducer	YM50540000800			
11	Motor fixing plate A	BH71365000810			

\*\* means easy broken part and spare backup is suggested. \* means possible broken parts.

Please confirm the version of manual before placing the purchase order to guarantee that the item number of the spare part is in accordance with the real object.

## 6. Main Arm Assembly Drawing



Note: Details of Arabic numerals in parts drawing please refer to Components List 7.

## 7. Parts List

No.	Name	Parts No.	No.	Name	Parts No.
01	Arm cover plate	BL70375000120	22	Synchronous belt fixing block C	BL70365003220
02	Arm cover	BL70365003020	23	Arm profile 02	BH71023600110
03	Idle pulley fixing block B	BH71365002310	24	Arm profile 02	BH71023700110
04	Idle pulley ring	BL70365003120	25	Sliding block MSB15 four holes (PMI)*	YW31151100000
05	6904-2Z bearing*	YW11618040000	26	Mounting plate of pneumatic rotary set	BH71365001710
06	Idle pulley shaft	BH71365002410	27	Pneumatic rotary set	YW20009001500
07	20 belt **	YR00205000000	28	Clamp	YW09201501600
08	Idle pulley fixing block A	BH71365002210	29	Synchronous belt fixing teeth plate 1	BH79051701510
09	Anti-collision limit block	YW09200000200	30	Bearing (TPI)*	YW11620401300
10	Arm profile 01	BH71013700110	31	Sliding block four holes (PMI)*	YW31151100000
11	Arm upper cover plate	BH71365002110	32	Driven wheel mounting shaft B	BH71365001910
12	Belt clamp plate connector	BL70110100020	33	Crosswise pressing plate	BL76050702120
13	20 belt 1100**	YR00205000000	34	Arm sliding plate	BH71365001410
14	25*38R75 drag chain*	YE60253801200	35	Arm adapter plate	BH71365001510
15	Arm motor cover	BL70365002920	36	Synchronous belt fixing block C	BL70365003220
16	Arm motor mounting plate	BH71365002010	37	Synchronous belt fixing block A	BH71365001810
17	Drag chain fixing plate	BL70365003320	38	Arm lower end plate	BH71365001610
18	Arm upper and lower driving wheel	YW08033600000	39	Belt clamp plate connector	BL70110100020
19	18*25*R55 drag chain*	YE68182500000	40	Belt pressing plate 2	YW09021600000
20	Arm drag chain mounting plate	BL70365002820	41		
21	Synchronous belt fixing block B	BH71365002510	42		

\*\* means easy broken part and spare backup is suggested. \* means possible broken parts.

Please confirm the version of manual before placing the purchase order to guarantee that the item number of the spare part is in accordance with the real object.