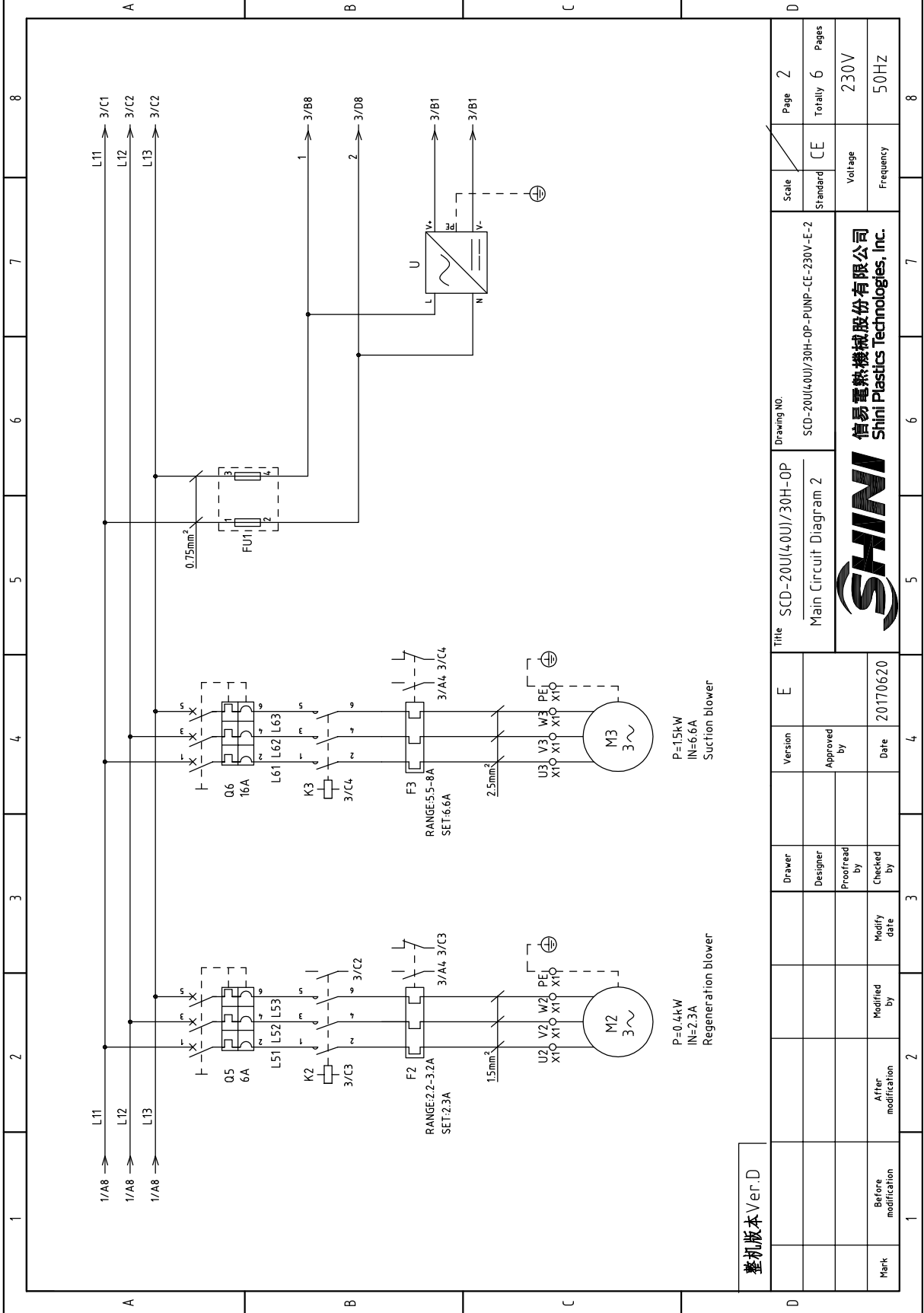


整机版本Ver.D

Mark	Before modification	After modification	Date	20170620	Version	E	Title	Drawing NO.		Page 1
	Modified by	Modify date						SCD-20U(40U)/30H-OP	SCD-20U(40U)/30H-OP-PUMP-CE-230V-E-1	
Designer	Proofofread by	Checked by	Approved by				Standard	CE	Voltage	230V
Drawer								Frequency	50Hz	Pages





整机版本 Ver.D

Mark	Before modification	After modification	Modified by	Modify date	Checked by	Design	Drawer	Version	E

Drawing NO.

SCD-20U(40U)/30H-OP

Main Circuit Diagram 2

**SHINI**  
信易电热机械股份有限公司  
Shini Plastics Technologies, Inc.

Scale

Standard

CE

Voltage

230V

Frequency

50HZ

Page

2

Totally

6

Pages

230V

50HZ

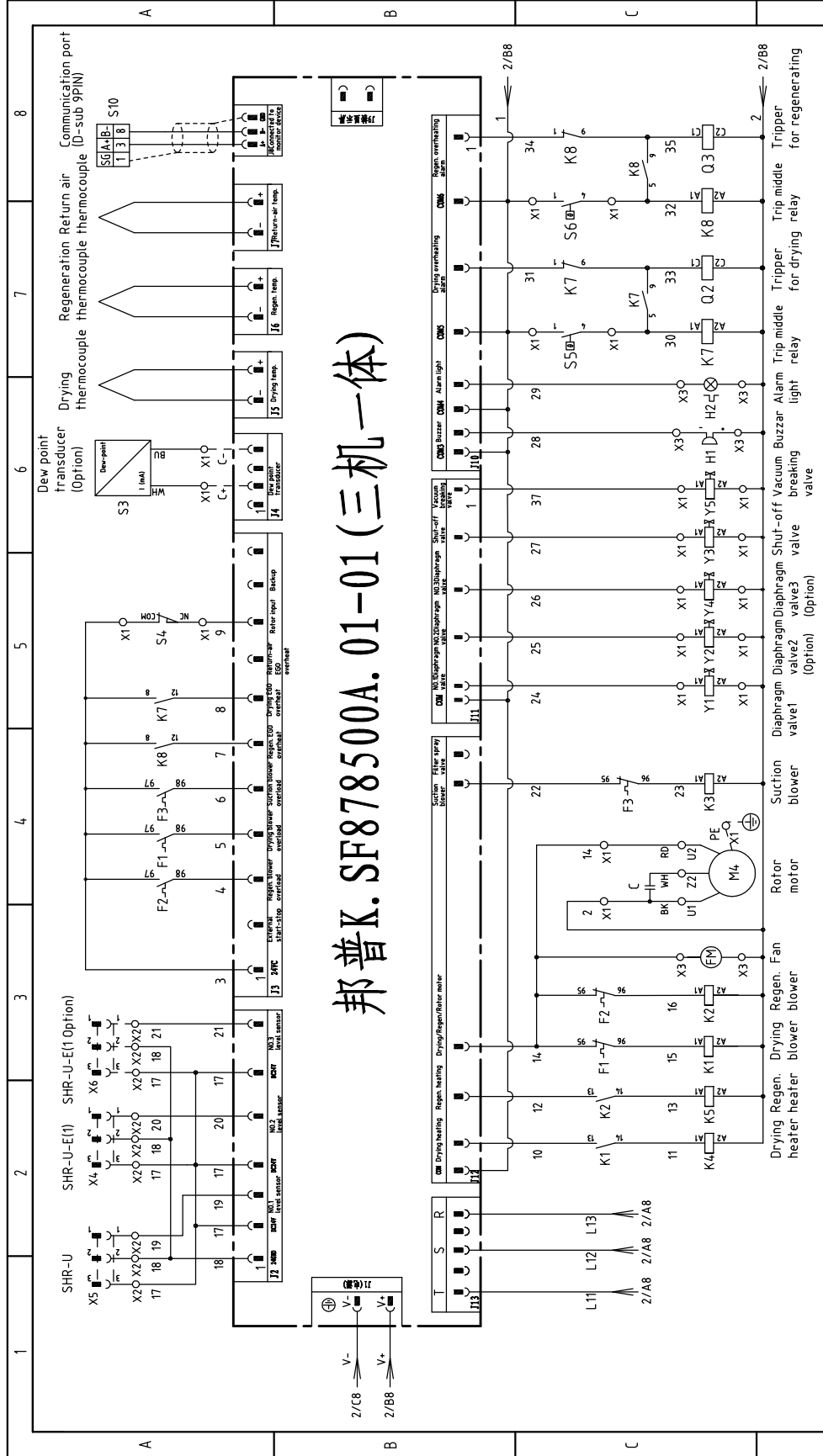
Page

Totally

230V

50HZ


# 邦普K.SF878500A.01-01 (三机一体)



整机版本 Ver.D

1	2	3	4	5	6	7	8
Title		Version		Drawing NO.		Page	
SCD-200(40U)/30H-OP		E		SCD-200(40U)/30H-OP		3	
Control Circuit Diagram		Approved by		Standard		CE	
SHINI 信易电热机械股份有限公司 Shini Plastics Technologies, Inc.		Checked by		Voltage		230V	
Mark		Date		Frequency		50Hz	
Before modification		20170620		Totally		6	
After modification		Date		Pages		8	

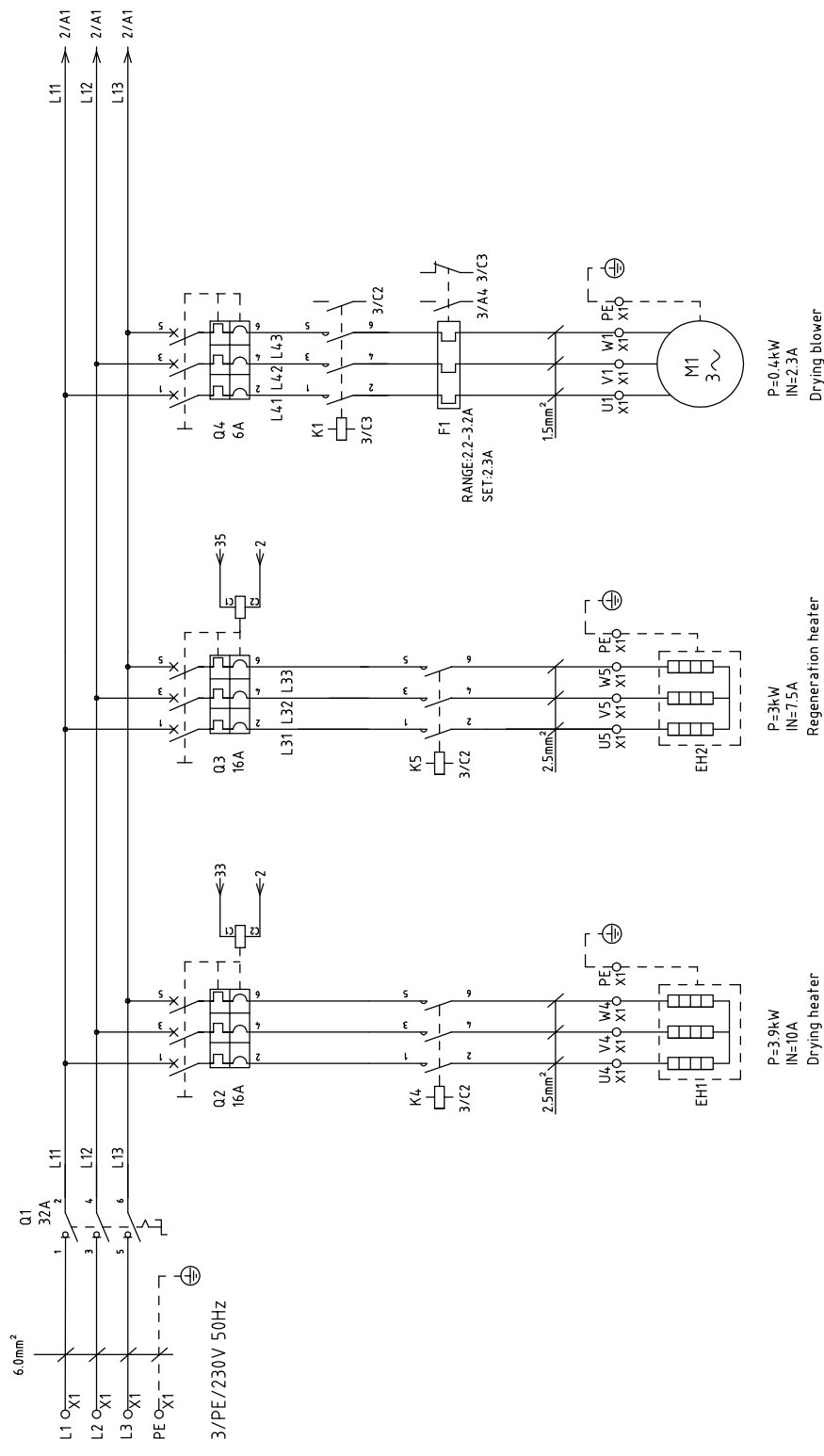


1		2		3		4		5		6		7		8	
NO.	Symbol	Name	Manufacturer	Type	Specification	Number	Material number	Remark							
1	Q1	Main power switch	EATON	P2-32-EA/SVB	32A	1	YE10132320000								
2	Q2 Q3	Circuit-breaker	TECO	BM-63C 3P	16A	2	YE40301603000								
3		Excitation release	TECO	MX	220V 50/60Hz	2	YE40023560000								
4	Q4 Q5	Circuit-breaker	TECO	BM-63C 3P	6A	2	YE40300603000								
5	Q6	Circuit-breaker	TECO	BM-63C 3P	16A	1	YE40301603000								
6	K1 K2 K3	Contacto	SIEMENS	3RT6016-1AN21	220V 50/60Hz	3	YE00601621000								
7	K4	Contacto	SIEMENS	3RT6018-1AN21	220V 50/60Hz	1	YE00601800000								
8	K5	Contacto	SIEMENS	3RT6018-1AN21	220V 50/60Hz	1	YE00601800000								
9	K7 K8	Middle relay	WEIDMULLER	DRM270730LT	220V 50/60Hz	2	YE03270700000								
10	F1	Overload relay	SIEMENS	3RU6116-IDB0	2.2-3.2A	1	YE01160220000								
11	F2	Overload relay	SIEMENS	3RU6116-IDB0	2.2-3.2A	1	YE01160220000								
12	F3	Overload relay	SIEMENS	3RU6116-1HB0	5.5-8A	1	YE01160550000								
13	PCB	Microprocessor control board+display screen	PUMP	K.SF878500A.01-01	-----	1	YE80878500000								
14	U	DC power	MEAN WELL	NES-35-24	OUT=DC24V 1.5A	1	YE71352400100								
15	FU1	Fuse base	CHINT	RT18-32	2P	1	YE41032200000								
16		Fuse	CHINT	10x38 500V	2A	2	YE46002000100								
17	S1	Reed switch	FOTEK	FC-12V	24VDC	1	YE15001200000	(1)							
18	S2	Photoelectric switch	FOTEK	T18-3MNB-PE	24VDC	1	YE1514-3900000	(1)							
19	S3	Dew-point transducer	CS	CS 217-0EM	POWER=24VDC OUT=4-20mA	1	YE90021700100	(1)(2)							
20	S4	Micro switch	TEND	LXW5-11G1	250V 5(4)A	1	----	(1)							
21	S5 S6	Temperature protector	EGO	WR-A-50-300-2500-3	250V 5(4)A	2	----	(1)							
22	S7 S8	Thermocouple	SHINI	ST-K	K	2	----	(1)							
23	Y1 Y2	Solenoid valve	----	MSFW-230-50/60	220V 50/60Hz	2	----	(1)							
24	H1	Buzzer	HITPOINT	PK-35A	220V 50/60Hz	1	YE84003500200	(1)							
25	H2	Alarm indicator	SHINI	LED-3051	220V 50/60Hz	1	YE83305100200	(1)							
<b>整机版本 Ver.D</b> Notes: (1)Means it's not the material inside the control box. (2)Stands for optional.															
		Title SCD-200I(4.0U)/30H-OP Electrical Components List 1		Drawing NO. SCD-200I(4.0U)/30H-OP-PUMP-CE-230V-E-5		Scale Standard CE		Page 5 Totaly 6		Voltage Frequency		230V 50Hz		8	
 <b>SHINI</b> 信易塑料机械股份有限公司 Shini Plastics Technologies, Inc.		Designer Proofread by Checked by Date 20170620		Version E Approved by		5		6		7		8		8	
Before modification		Modified by Modify date		3		4		5		6		7		8	

1		2		3		4		5		6		7		8	
NO.	Symbol	Name	Manufacturer	Type	Specification	Number	Material number	Remark							
26	X1	Terminal board	----	6mm <sup>2</sup>	-	3	YE60000603200								
27				6mm <sup>2</sup> PE	-	1	YE60000603500								
28				4mm <sup>2</sup>	-	15	YE60000403200								
29				4mm <sup>2</sup> PE	-	5	YE60000403500								
30				2.5mm <sup>2</sup>	-	14	YE60002503200								
31				2.5mm <sup>2</sup>	32A 690V	6	YE60002503200	(2)							
32				2.5mm <sup>2</sup> PE	-	4	YE60002503400								
33				2.5mm <sup>2</sup> PE	-	2	YE60002503400	(2)							
34	X2	Terminal board	----	Spring Terminals SK2.5-TL	10A 250V	3	YE60002503600								
35				FBS TB 10-ZDIK RD	10A 250V	3	YE60001000200								
36				SK-2.5TL桥接件	10A 250V	3	YE60001003600								
37	X3	Terminal board	----	2.5mm <sup>2</sup>	-	5	YE60002503200								
38				2.5mm <sup>2</sup> PE	-	1	YE60002503400								
39	X4	Heavy duty connector	SIBAS	HDC-HA-004.1	4P 10A	3	YE68041000100	(1)							
40	X5	Heavy duty connector	SIBAS	HDC-HA-004.1	4P 10A	3	YE68041000100	(1)							
41	X6	Heavy duty connector	SIBAS	HDC-HA-004.1	4P 10A	3	YE68041000100	(1)							
42	FM	Fan	SUNON	DP-200A	230VAC	1	YM60121200400	(1)							
43	M1	Blower	SHINI	-----	230V 0.4kW	1	-----	(1)							
44	M2	Blower	SHINI	-----	230V 0.4kW	1	-----	(1)							
45	M3	Blower	SHINI	-----	230V 1.5kW	1	-----	(1)							
46	M4	Motor	----	-----	230V 0.015kW	1	-----	(1)							
47	EH1	Heater	SHINI	-----	230V 3kW	1	-----	(1)							
48	EH2	Heater	SHINI	-----	230V 3kW	1	-----	(1)							
49	S10	Communication interface board RS-485 (double Dsub-9pin connector)	--	--	--	1	YE90048501200	(1)							
50		Shell RS485(SAL-700G-A-19)0	--	--	--	1	YR40048500000	(1)							

**整机版本 Ver.D** Notes: (1)Means it's not the material inside the control box. (2)Stands for optional.

Title		Drawing NO.		Scale		Page	
SCD-200U(4.0U)/30H-OP		SCD-200U(4.0U)/30H-OP-PUMP-CE-230V-E-6		Standard		CE	
Electrical Components List 2		Voltage		Frequency		230V	
SHINI		信易塑料机械股份有限公司		Shini Plastics Technologies, Inc.		50Hz	
Date		20170620		Totality		6	
Pages		6		Pages		6	

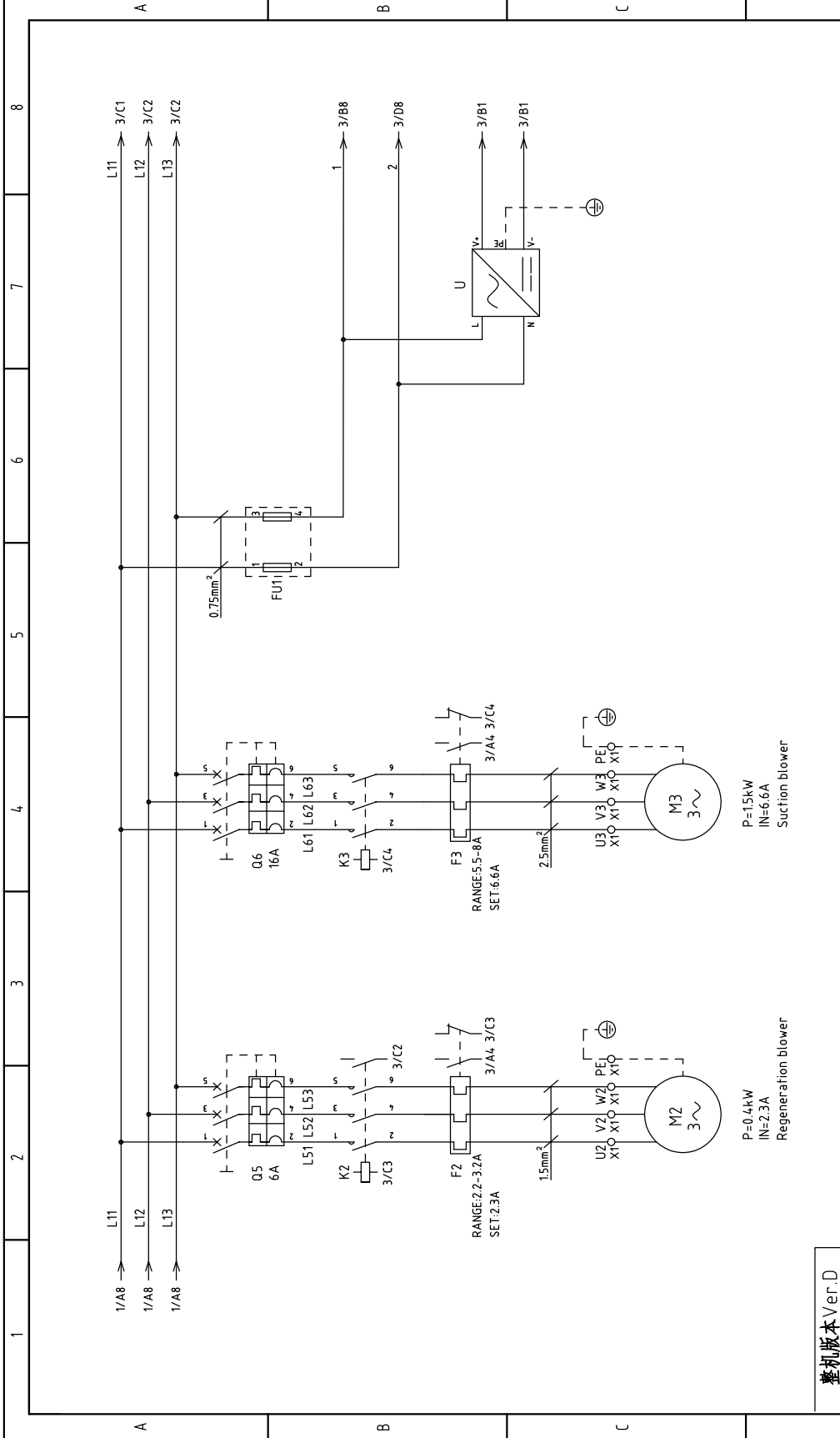


整机版本 Ver.D

Mark		Before modification	After modification	Modify date	Checked by	Proofofread by	Designer	Drawer	Version	E	Title	Drawing NO.		Scale	Page 1
											SCD-80U/50H-OP Main Circuit Diagram 1	SCD-80U/50H-OP-PUMP-CE-230V-E-1		Standard	Totally 6
Voltage														CE	Pages
Frequency															230V
															50Hz



Date 20170620



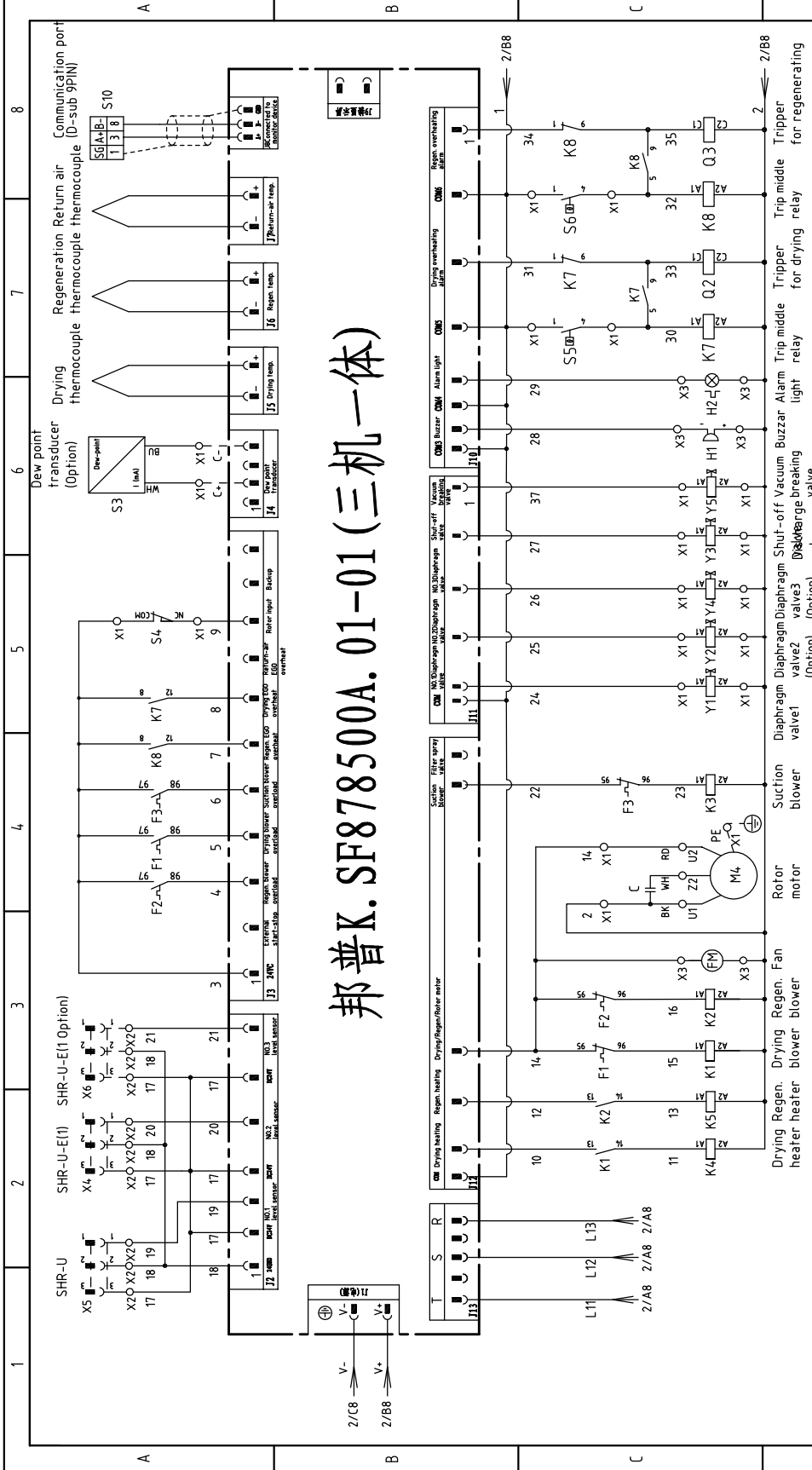
整机版本 Ver.D

Mark	Before modification	After modification	Modified by	Modify date	Checked by	Version	E	Title	Drawing NO.		Page	2		
									SCD-80U/50H-OP				Scale	CE
Main Circuit Diagram 2									SCD-80U/50H-OP-PUMP-CE-230V-E-2		Standard	CE	Voltage	230V
SHINI 信易电热机械股份有限公司 Shini Plastics Technologies, Inc.									Date		20170620	Frequency	50Hz	

整机版本 Ver.D



# 邦普K.SF878500A.01-01 (三机一体)

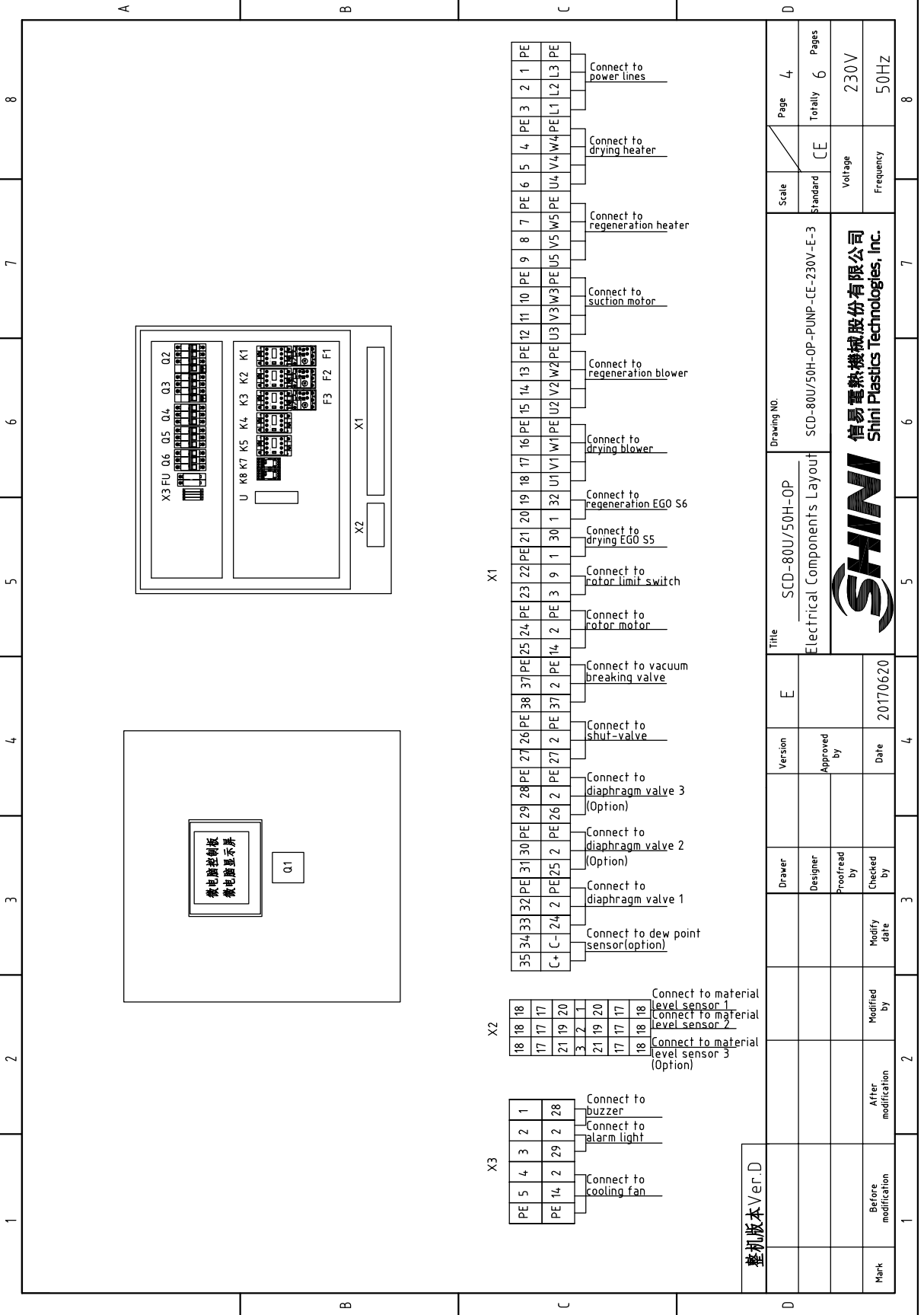


整机版本 Ver.D

Note: When M2 is not adopted, substitute No. 24 wire for No. 25 as well as No.26, and then connect it to diaphragm valve 1.

Title		Drawing NO.		Scale	Page 3		
Control Circuit Diagram		SCD-80U/50H-OP		Standard	CE	Totally 6	Pages
Version		Approved by		Voltage		230V	
Designer		Proofread by		Frequency		50HZ	
Date		20170620					
Mark	Before modification	After modification	Modify date				
1	2	3	4	5	6	7	8





整机版本 Ver.D

Title		Version		Drawing NO.		Scale	Page
SCD-80U/50H-OP Electrical Components Layout		E		SCD-80U/50H-OP-PUMP-CE-230V-E-3		Standard	4
Date		Approved by		Voltage		Pages	
20170620				230V		Totally 6	
Modify date		Checked by		Frequency		CE	
				50HZ			
Mark	Before modification	After modification	Modified by	SHINI 信易嘉熱機械股份有限公司 Shini Plastics Technologies, Inc.			

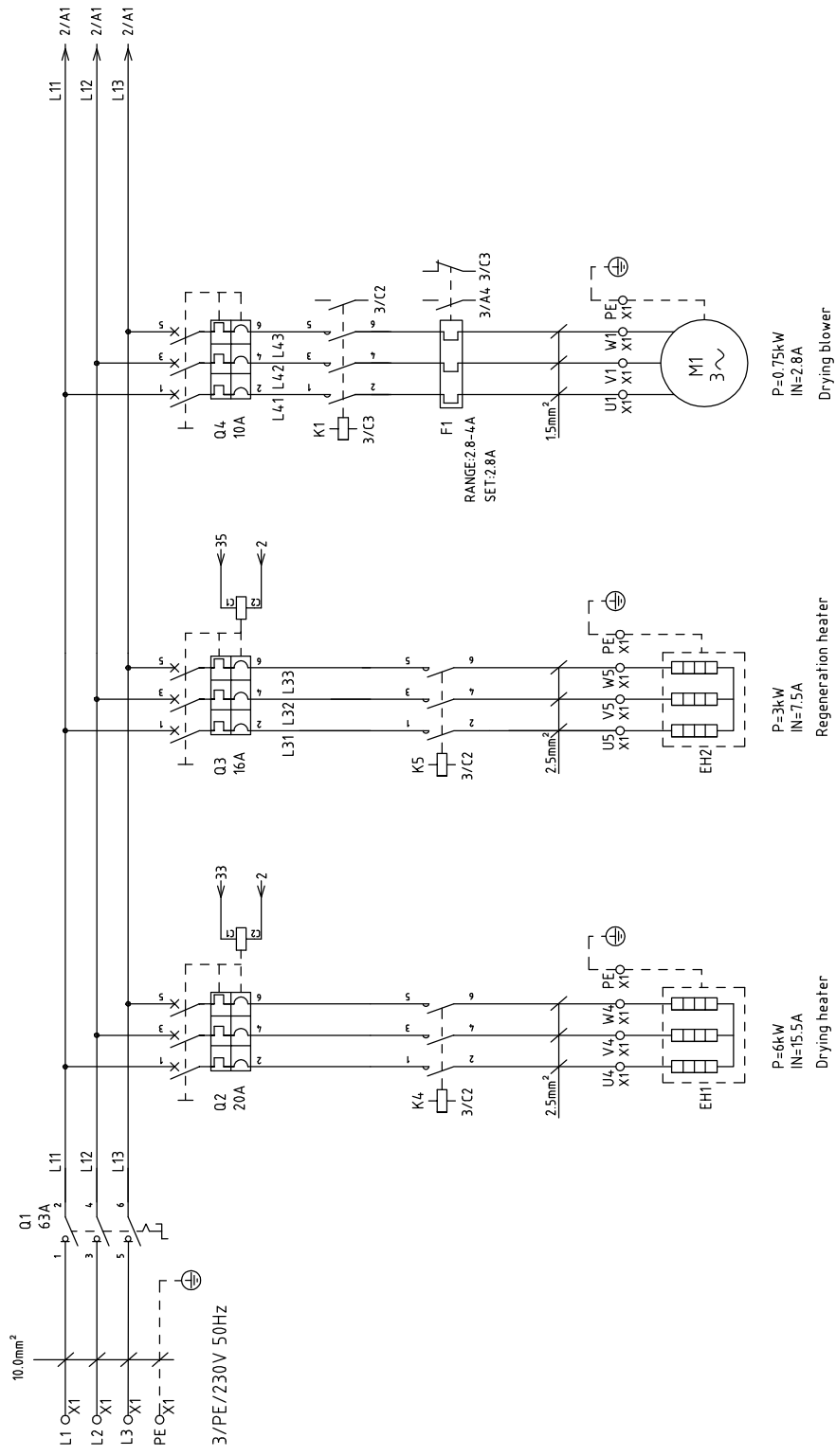
1 2 3 4 5 6 7 8

1		2		3		4		5		6		7		8	
N0.	Symbol	Name	Manufacturer	Type	Specification	Number	Material number	Remark							
1	Q1	Main power switch	EATON	P2-32-EA/SVB	32A	1	YE10132320000								
2	Q2 Q3	Circuit-breaker	TECO	BM-63C 3P	16A	2	YE40301603000								
3		Excitation release	TECO	MX	220V 50/60Hz	2	YE40023560000								
4	Q4 Q5	Circuit-breaker	TECO	BM-63C 3P	6A	2	YE40300603000								
5	Q6	Circuit-breaker	TECO	BM-63C 3P	16A	1	YE40301603000								
6	K1 K2 K3	Contacto	SIEMENS	3RT6016-1AN21	220V 50/60Hz	3	YE00601621000								
7	K4	Contacto	SIEMENS	3RT6018-1AN21	220V 50/60Hz	1	YE00601800000								
8	K5	Contacto	SIEMENS	3RT6018-1AN21	220V 50/60Hz	1	YE00601800000								
9	K7 K8	Middle relay	WEIDMULLER	DRM270730LT	220V 50/60Hz	2	YE03270700000								
10	F1	Overload relay	SIEMENS	3RU6116-IDB0	2.2-3.2A	1	YE01160220000								
11	F2	Overload relay	SIEMENS	3RU6116-IDB0	2.2-3.2A	1	YE01160220000								
12	F3	Overload relay	SIEMENS	3RU6116-1HB0	5.5-8A	1	YE01160550000								
13	PCB	Microprocessor control board-display screen	PUMP	K.SF878500A.01-01	-----	1	YE80878500000								
14	U	DC power	MEAN WELL	NES-35-24	OUT=DC24V 1.5A	1	YE71352400100								
15	FU1	Fuse base	CHINT	RT18-32	2P	1	YE41032200000								
16		Fuse	CHINT	10x38 500V	2A	2	YE46002000100								
17	S1	Reed switch	FOTEK	FC-12V	24VDC	1	YE15001200000	(1)							
18	S2	Photoelectric switch	FOTEK	T18-3MNB-PE	24VDC	1	YE1514-3900000	(1)							
19	S3	Dew-point transducer	CS	CS 217-OEM	POWER=24VDC OUT=4-20mA	1	YE90021700100	(1)(2)							
20	S4	Micro switch	TEND	LXW5-11G1	250V 5(4)A	1	----	(1)							
21	S5 S6	Temperature protector	EGO	WR-A-50-300-2500-3	250V 5(4)A	2	----	(1)							
22	S7 S8	Thermocouple	SHINI	ST-K	K	2	----	(1)							
23	Y1 Y2	Solenoid valve	----	MSFW-230-50/60	220V 50/60Hz	2	----	(1)							
24	H1	Buzzer	HITPOINT	PK-35A	220V 50/60Hz	1	YE84003500200	(1)							
25	H2	Alarm indicator	SHINI	LED-3051	220V 50/60Hz	1	YE83305100200	(1)							
整机版本 Ver.D Notes: (1)Means it's not the material inside the control box. (2)Stands for optional.															
D		Title		SCD-80U/50H-0P		Drawing NO.		SCD-80U/50H-0P-PUMP-CE-230V-E-5		Scale		Page		5	
		Version		E		Electrical Components List 1		Standard		CE		Voltage		230V	
		Designer		Approved by				Frequency		CE		Totally		6	
		Proofread by		Date		20170620									
Mark		Before modification		Modified by		Modify date									
1		2		3		4		5		6		7		8	



1	2		3	4	5	6	7	8
NO.	Symbol	Name	Manufacturer	Type	Specification	Number	Material number	Remark
26	X1	Terminal board	----	6mm <sup>2</sup>	-	3	YE60000603200	
27				6mm <sup>2</sup> PE	-	1	YE60000603500	
28				4mm <sup>2</sup>	-	15	YE60000403200	A
29				4mm <sup>2</sup> PE	-	5	YE60000403500	
30				2.5mm <sup>2</sup>	-	14	YE600002503200	
31				2.5mm <sup>2</sup>	32A 690V	6	YE600002503200	(2)
32				2.5mm <sup>2</sup> PE	-	4	YE600002503400	
33				2.5mm <sup>2</sup> PE	-	2	YE600002503400	(2)
34	X2	Terminal board	----	Spring terminals SK2.5-TL	10A 250V	3	YE600002503600	
35				FBSTB 10-ZDIK RD	10A 250V	3	YE60001000200	
36				SK-2.5TL桥接件	10A 250V	3	YE60001003600	B
37	X3	Terminal board	----	2.5mm <sup>2</sup>	-	5	YE600002503200	
38				2.5mm <sup>2</sup> PE	-	1	YE600002503400	
39	X4	Heavy duty connector	SIBAS	HDC-HA-004.1	4P 10A	3	YE68041000100	(1)
40	X5	Heavy duty connector	SIBAS	HDC-HA-004.1	4P 10A	3	YE68041000100	(1)
41	X6	Heavy duty connector	SIBAS	HDC-HA-004.1	4P 10A	3	YE68041000100	(1)
42	FM	Fan	SUNON	DP-200A	230VAC	1	YM60121200400	(1)
43	M1	Blower	SHINI	-----	230V 0.4kW	1	-----	(1)
44	M2	Blower	SHINI	-----	230V 0.4kW	1	-----	(1)
45	M3	Blower	SHINI	-----	230V 1.5kW	1	-----	(1)
46	M4	Motor	----	-----	230V 0.015kW	1	-----	(1)
47	EH1	Heater	SHINI	-----	230V 3.9kW	1	-----	(1)
48	EH2	Heater	SHINI	-----	230V 3kW	1	-----	(1)
49	S10	Communication interface board RS-485 (double Dsub-9pin connector)	--	--	--	1	YE90048501200	(1)
50		Shell RS485(SAL-700G-A-1910)	--	--	--	1	YR40048500000	(1)
<b>整机版本 Ver.D</b> Notes: (1)Means it's not the material inside the control box. (2)Stands for optional.								
				E	Title		Drawing NO.	D
				Version	SCD-80U/50H-0P		SCD-80U/50H-0P-PUNP-CE-230V-E-6	Scale
				Designer	Electrical Components List 2		Standard	Page 6
				Proofread by			CE	Totally 6 Pages
				Checked by	Date		Voltage	Frequency
				Modified by	20170620		230V	50Hz
Mark				Before modification	After modification	Modify date	Checked by	Date
1	2	3	4	5	6	7	8	9

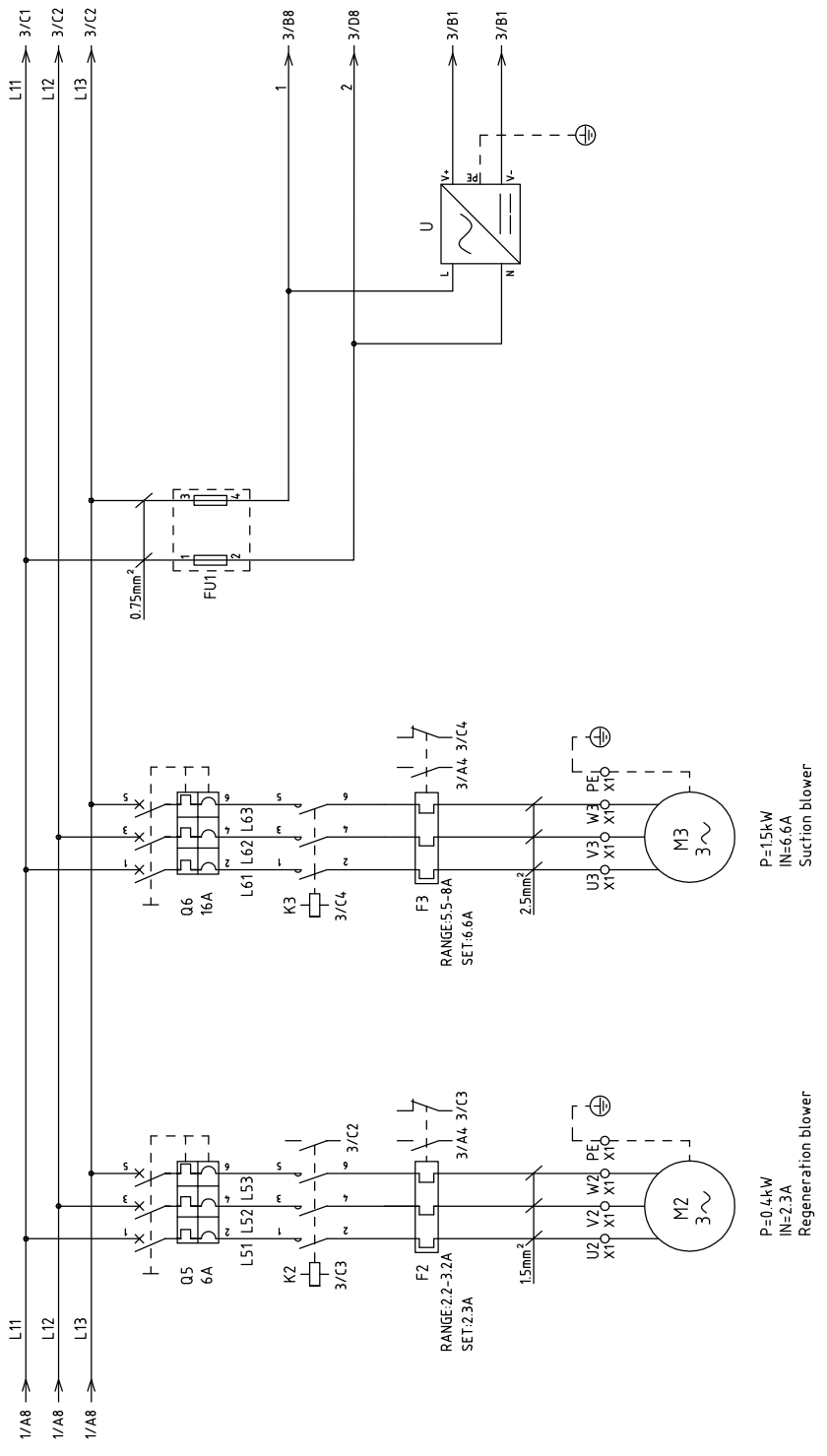




整初版本 Ver.D

Mark	Before modification	After modification	Modify date	Checked by	Date	Version	E	Title	Drawing No.	Scale	Page
										Standard	CE
					20170531			Main Circuit Diagram 1	SCD-120U/80H-OP-PUMP-CE-230V-E-1		1
											7
											230V
											50Hz
											8

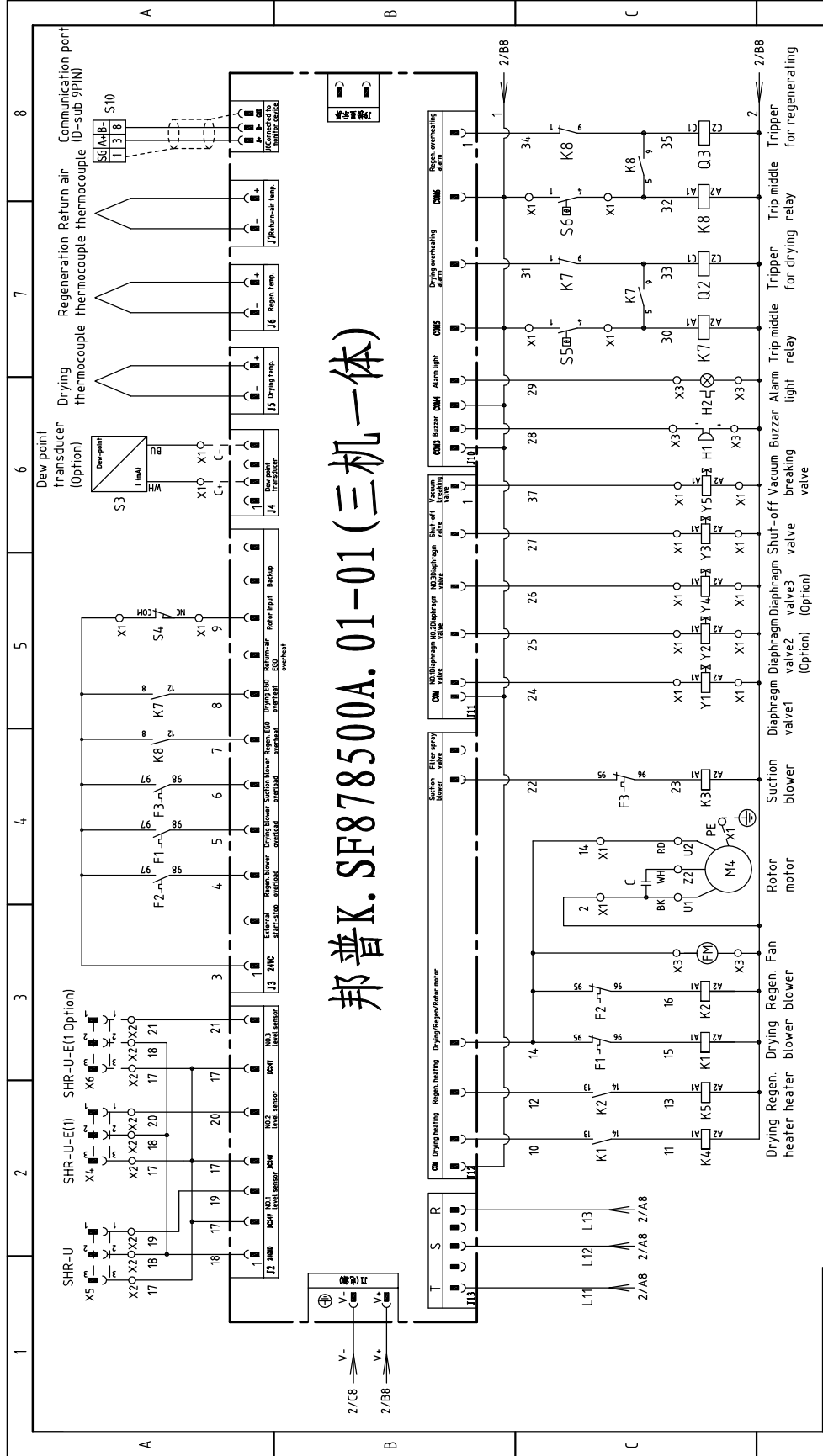




整机版本 Ver.D

Mark	Before modification	Modified by	Date	Version	E	Title	Drawing NO.	Scale	Page
	After modification	Modify date	20170531						2
SCD-120U/80H-OP							SCD-120U/80H-OP-PUMP-CE-230V-E-2		Totally
Main Circuit Diagram 2							CE		7
SHINI 信易电热机械股份有限公司 Shini Plastics Technologies, Inc.							Voltage		230V
							Frequency		50Hz

# 邦普K.SF878500A.01-01 (三机一体)



整机版本 Ver.D

Note: When M2 is not adopted, substitute No. 24 wire for No. 25 as well as No.26, and then connect it to diaphragm valve 1.

Title	SCD-120U/80H-OP		Drawing NO.	Page 3
	Control Circuit Diagram			
Version	E		Scale	Page 3
Designer	Approved by		Standard	Totally 7
Proofread by	Date		Voltage	Pages
Checked by	20170531		230V	7
Modified by	Date		Frequency	50HZ
Before modification	Date			
Mark	Date			







1	2		3	4	5	6	7	8
NO.	Symbol	Name	Manufacturer	Type	Specification	Number	Material number	Remark
1	Q1	Main power switch	EATON	P2-63-EA/SVB	63A	1	YE10163630000	
2	Q2	Circuit-breaker	TECO	BM-63C 3P	20A	1	YE40302003000	
3	Q3 Q6	Circuit-breaker	TECO	BM-63C 3P	16A	2	YE40301603000	A
4		Excitation release	TECO	MX	220V 50/60Hz	2	YE40023560000	
5	Q4	Circuit-breaker	TECO	BM-63C 3P	10A	1	YE40301003000	
6	Q5	Circuit-breaker	TECO	BM-63C 3P	6A	1	YE40300603000	
7	K1 K2 K3	Contactor	SIEMENS	3RT6016-1AN21	220V 50/60Hz	3	YE00601621000	
8	K4	Contactor	SIEMENS	3RT6026-1AN20	220V 50/60Hz	1	YE00602622000	
9	K5	Contactor	SIEMENS	3RT6018-1AN21	220V 50/60Hz	1	YE00601800000	
10	K7 K8	Middle relay	WEIDMULLER	DRM270730L T	220V 50/60Hz	2	YE03270700000	
11	F1	Overload relay	SIEMENS	3RU1116-1EB0	2.8-4A	1	YE01280400100	B
12	F2	Overload relay	SIEMENS	3RU6116-1DB0	2.2-3.2A	1	YE01160220000	
13	F3	Overload relay	SIEMENS	3RU6116-1HB0	5.5-8A	1	YE01160550000	
14	PCB	Microprocessor control board-display screen	PUMP	K.SF878500A.01-01	-----	1	YE80878500000	
15	U	DC power	MEAN WELL	NES-35-24	OUT=DC24V 1.5A	1	YET952400100	
16	FU1	Fuse base	CHINT	RT18-3Z	2P	1	YE41032200000	
17		Fuse	CHINT	10*38 500V	2A	2	YE46002000100	
18	S1	Reed switch	FOTEK	FC-12V	24VDC	1	YE15001200000	(1)
19	S2	Photoelectric switch	FOTEK	T18-3MNB-PE	24VDC	1	YE15143900000	(1)
20	S3	Dew-point transducer	CS	CS 217-OEM	POWER=24VDC OUT=4-20mA	1	YE90021700100	(1)(2)
21	S4	Micro switch	TEND	LXW5-11G1	250V 5(A)A	1	----	(1)
22	S5 S6	Temperature protector	EGO	WR-A-50-300-2500-3	250V 5(A)A	2	----	(1)
23	S7 S8	Thermocouple	SHINI	ST-K	K	2	----	(1)
24	Y1 Y2	Solenoid valve	----	MSFW-230-50/60	220V 50/60Hz	2	----	(1)
25	H1	Buzzer	HITPOINT	PK-35A	220V 50/60Hz	1	YE84003500200	(1)
<b>整机版本 Ver.D</b> Notes: (1)Means it's not the material inside the control box. (2)Stands for optional.								
				Version	E	Drawing NO.	Scale	Page
				Designer	Approved by	SCD-1200/80H-OP	Standard	5
				Proofread by	Electrical Components List 1	SCD-1200/80H-OP-PUMP-CE-230V-E-5	Voltage	230V
				Checked by	Date	20110531	Frequency	50Hz
				Before modification	Modified by	Modify date	CE	Totally
				After modification			7	Pages
				Mark			7	8



1		2		3		4		5		6		7		8	
NO.	Symbol	Name	Manufacturer	Type	Specification	Number	Material number	Remark							
26	H2	Alarm indicator	SHINI	LED-3051	220V 50/60HZ	1	YE83305100200	(1)							
27	X1	Terminal board	----	10mm <sup>2</sup>	-	3	YE60001003200								
28				10mm <sup>2</sup> PE	-	1	YE60001003500								
29				4mm <sup>2</sup>	-	15	YE60000403200								
30				4mm <sup>2</sup> PE	-	5	YE60000403500								
31				2.5mm <sup>2</sup>	-	14	YE60002503200								
32				2.5mm <sup>2</sup>	32A 690V	6	YE60002503200	(2)							
33				2.5mm <sup>2</sup> PE	-	4	YE60002503400								
34				2.5mm <sup>2</sup> PE	-	2	YE60002503400	(2)							
35	X2	Terminal board	----	Spring terminals SK2.5-TL	10A 250V	3	YE60002503600								
36				FBSTB 10-ZDIK RD	10A 250V	3	YE60001000200								
37				SK-2.5TL 桥接件	10A 250V	3	YE60001003600								
38	X3	Terminal board	----	2.5mm <sup>2</sup>	-	5	YE60002503200								
39				2.5mm <sup>2</sup> PE	-	1	YE60002503400								
40	X4	Heavy duty connector	SIBAS	HDC-HA-004.1	4P 10A	3	YE68041000100	(1)							
41	X5	Heavy duty connector	SIBAS	HDC-HA-004.1	4P 10A	3	YE68041000100	(1)							
42	X6	Heavy duty connector	SIBAS	HDC-HA-004.1	4P 10A	3	YE68041000100	(1)							
43	FM	Fan	SUNON	DP-200A	230VAC	1	YM60121200400	(1)							
44	M1	Blower	SHINI	-----	230V 0.75kW	1	-----	(1)							
45	M2	Blower	SHINI	-----	230V 0.4kW	1	-----	(1)							
46	M3	Blower	SHINI	-----	230V 1.5kW	1	-----	(1)							
47	M4	Motor	----	-----	230V 0.015kW	1	-----	(1)							
48	EH1	Heater	SHINI	-----	230V 6kW	1	-----	(1)							
49	EH2	Heater	SHINI	-----	230V 3kW	1	-----	(1)							
<p><b>整机版本 Ver.D</b> Notes: (1)Means it's not the material inside the control box. (2)Stands for optional.</p>															
				Title		Drawing NO.		Scale		Page					
				SCD-120U/80H-OP		SCD-120U/80H-OP-PUMP-CE-230V-E-6		Standard		CE		Voltage		230V	
				Electrical Components List 2								Frequency		50Hz	
				Version		E		Approved by		Date					
				Designer		Proofread by		Checked by		Modify date					
				Date		20170531									
				Before modification		Modified by		Modify date							
				After modification											
				1		2		3		4		5		6	
				7		8		9		10		11		12	



1	2		3	4	5	6	7	8
NO.	Symbol	Name	Manufacturer	Type	Specification	Number	Material number	Remark
50	S10	Communication interface board RS-485 (double DSub-9pin connector)	--	--	--	1	YE90048501200	(1)
51		Shell RS485(SAL-700G-A-19)0	--	--	--	1	YR4-0048500000	(1)
A								
B								
C								
D								
<b>整机版本 Ver.D</b>			Notes: (1)Means it's not the material inside the control box. (2)Stands for optional.					
			Title	Version	E	Drawing NO.	Scale	Page 7
			SCD-120U/80H-OP			SCD-120U/80H-OP-PUMP-CE-Z30V-E-7	Standard CE	Totally 7 Pages
			Electrical Components List 3	Approved by				Voltage 230V
			Proofread by	Date	20170531			Frequency 50HZ
Mark			Before modification	After modification	Modified by	Modify date	Checked by	
1	2	3	4	5	6	7	8	

