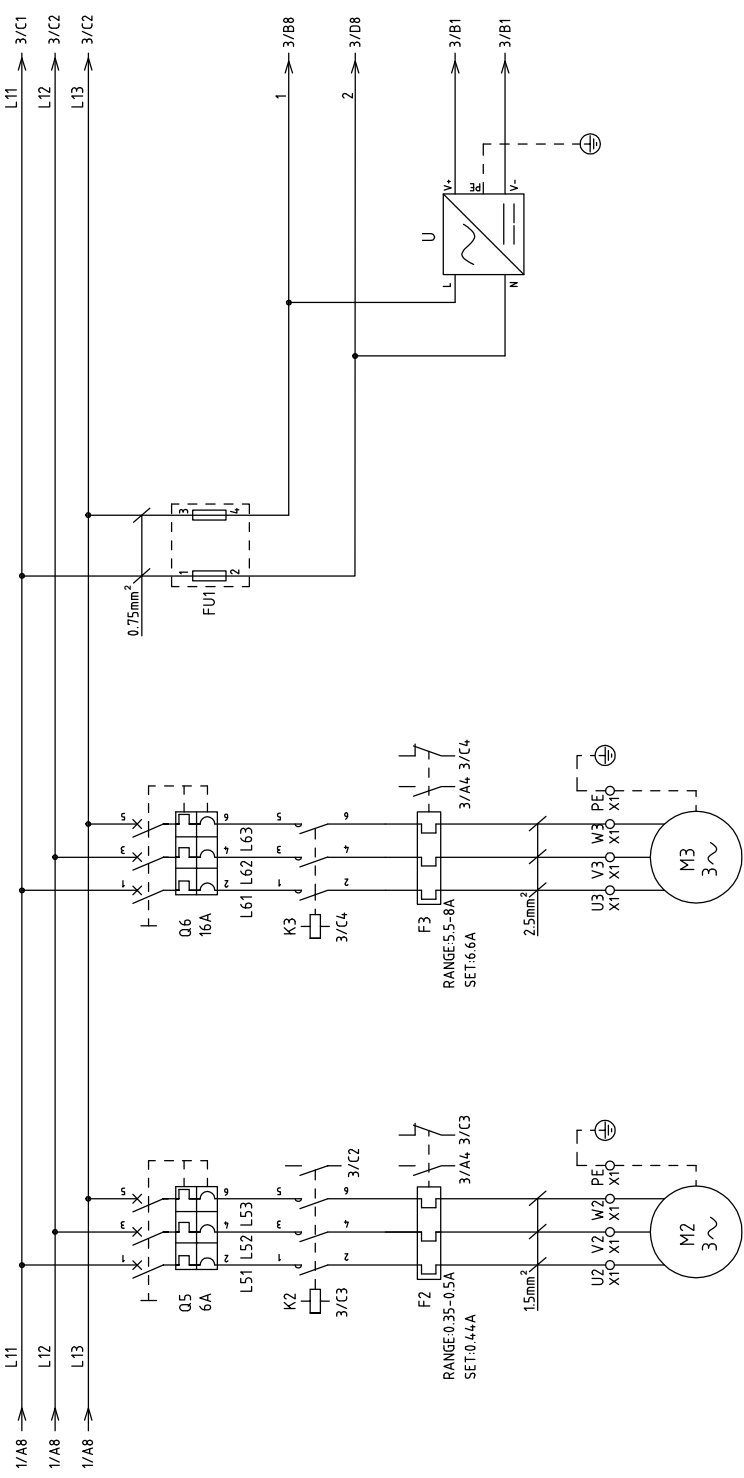


整機版本Ver.D

Mark	Before modification	After modification	Modified by	Date	20170620
Checked by					
Proofread by					
Designer					
Drawer					
Version	G				
Approved by					
Title	SCD-20U(40U)(80U)/40H Main Circuit Diagram 1				
Drawing NO.	SCD-20U(40U)(80U)/40H-PUMP-CE-230V-G-1				



Scale	Page 1
Standard	Totally 6
Voltage	230V
Frequency	50Hz

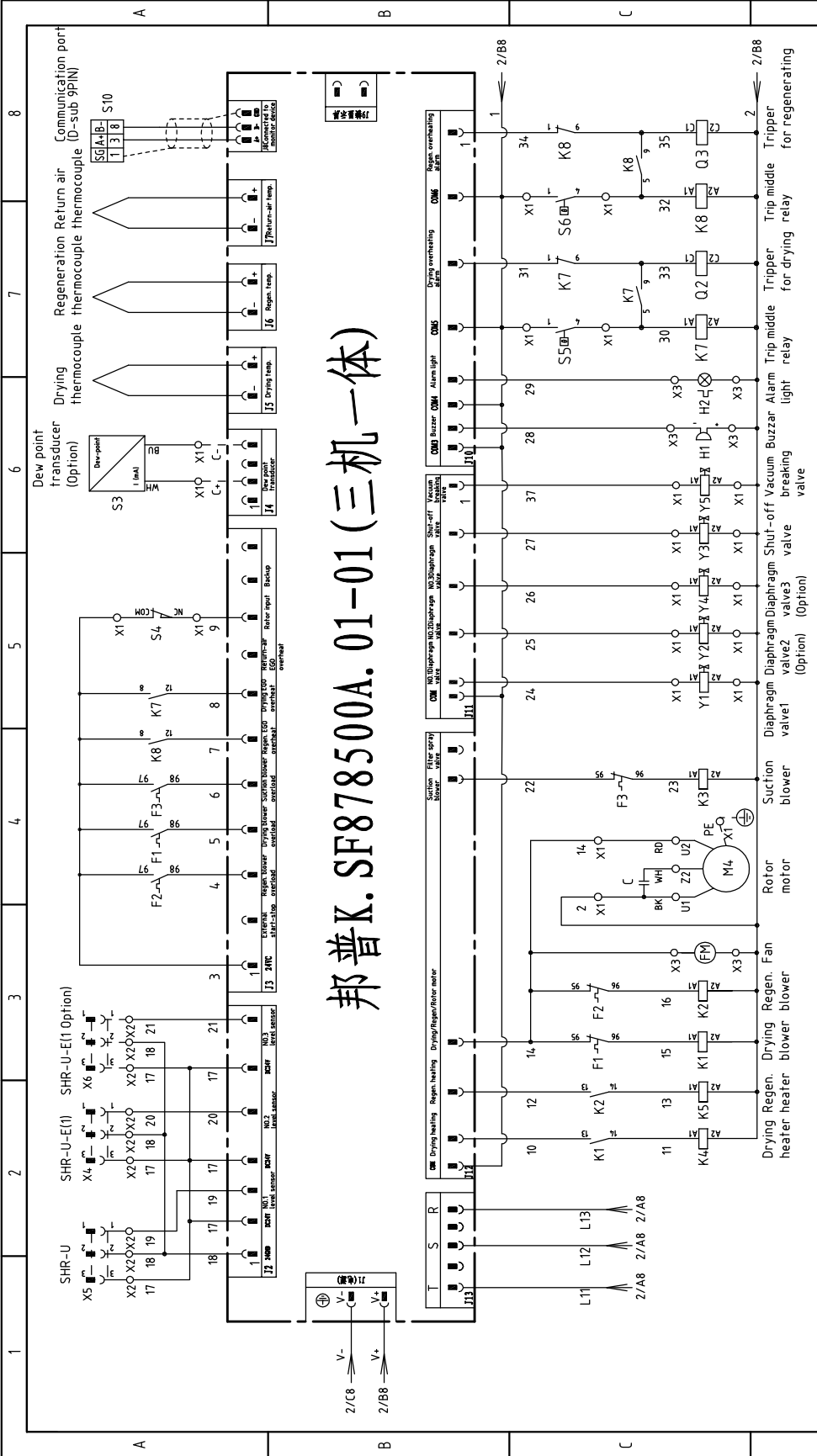


整机版本Ver.D

Title	SCD-20U(4.0U)(80U)/4.0H		Drawing NO.	Page 2	
	Main Circuit Diagram 2			Standard CE	
Version	G		Scale		Voltage
	Approved by		Standard		
Mark	Date 20170620		Standard		230V
	Before modification		After modification		50Hz
Modified by		Modify Date		Totally 6 Pages	
Checked by		Date		Page 2	



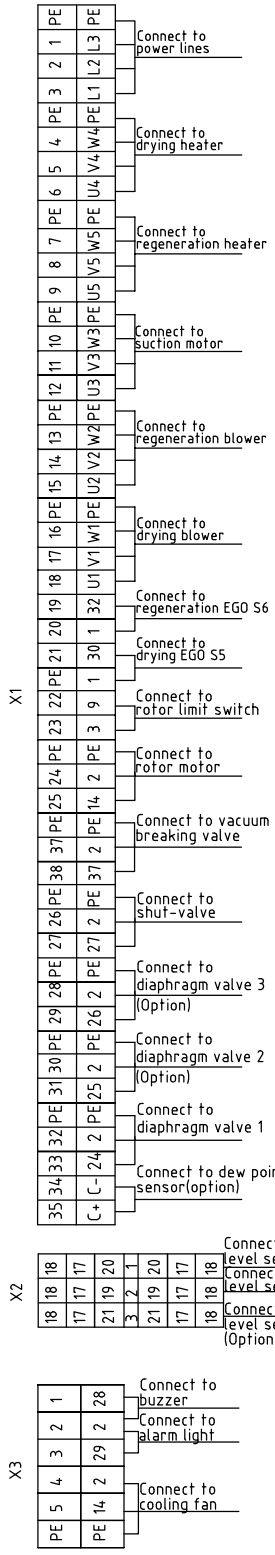
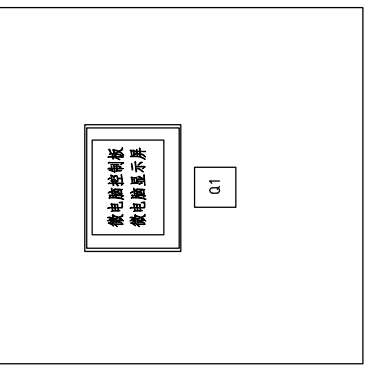
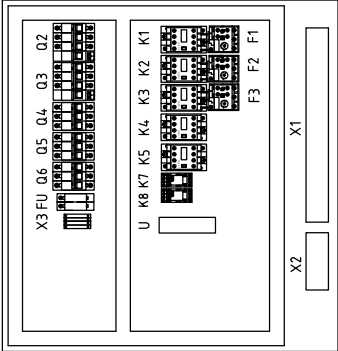
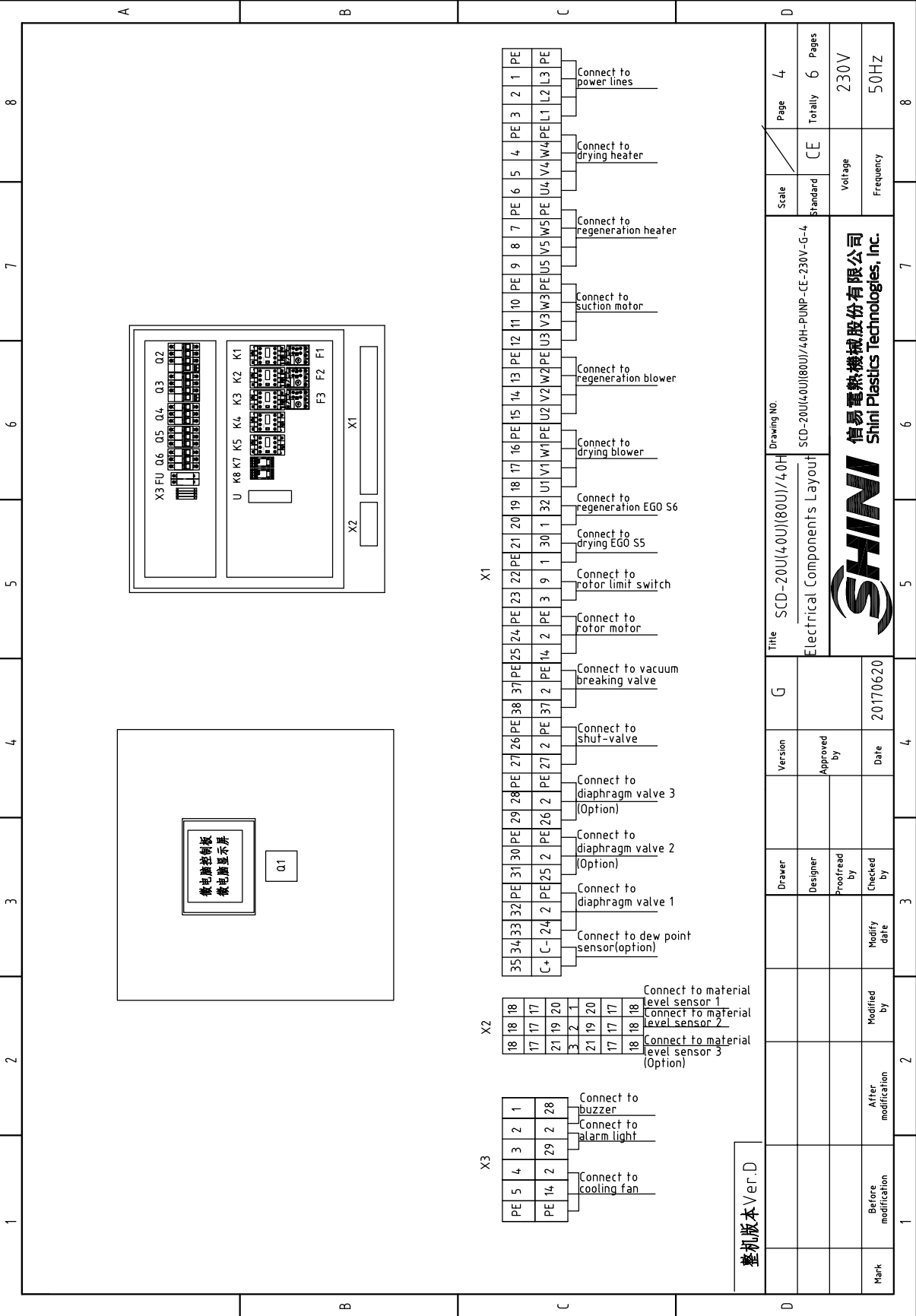
邦普K.SF878500A.01-01(三机一体)



整机版本 Ver.D	Title	SCD-20U(40U)(80U)/40H Control Circuit Diagram	Drawing NO.	SCD-20U(40U)(80U)/40H-PUMP-CE-230V-G-3	Page 3 Totally 6 Pages
	Version	G	Scale	Standard	CE
	Designer	Proofread by	Voltage	Frequency	230V 50HZ
Mark	Before modification	After modification	Date	20170620	

Note: When M2 is not adopted, substitute No. 24 wire for No. 25 as well as No.26, and then connect it to diaphragm valve 1.





整机版本 Ver.D

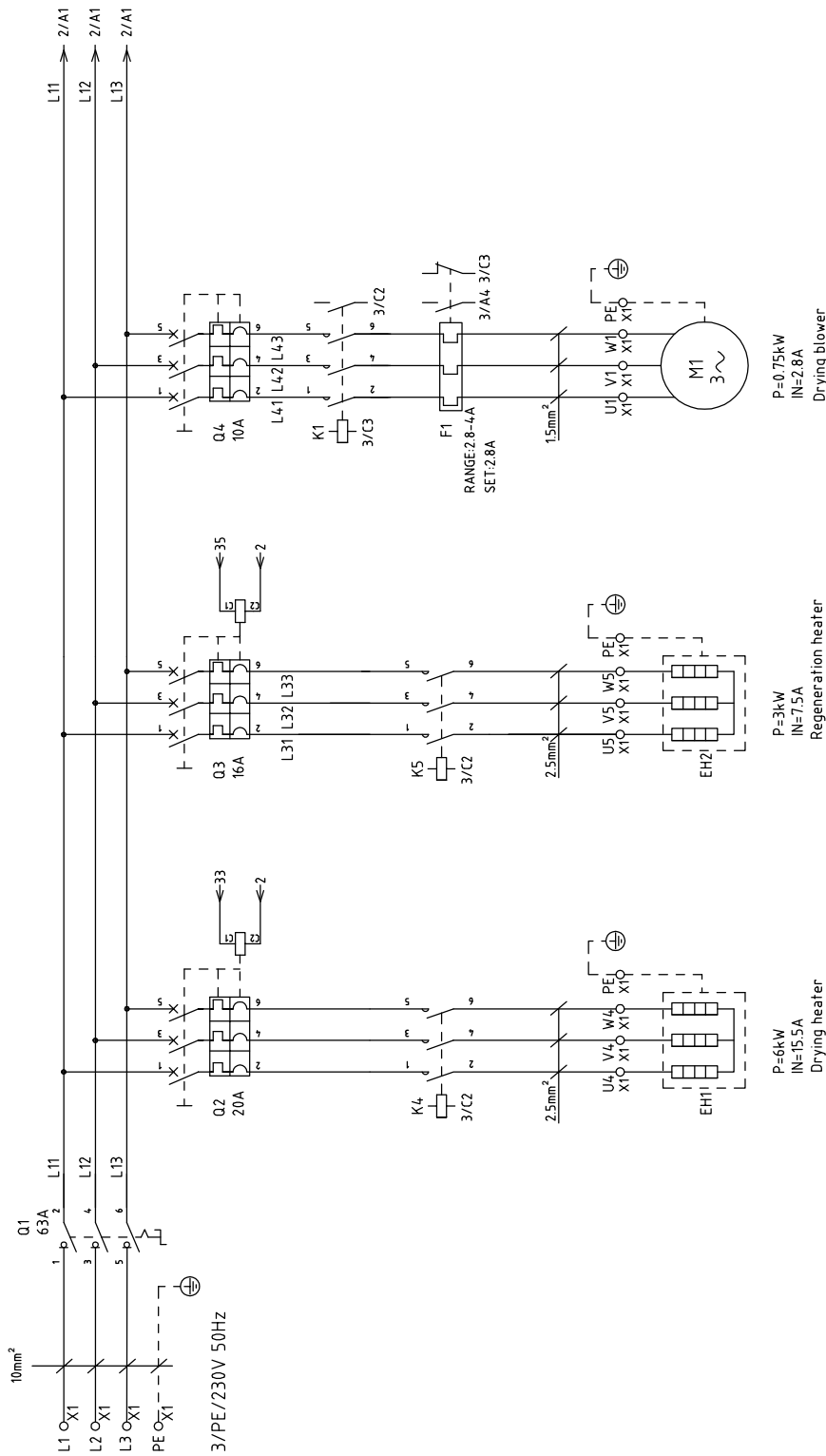
Title		Drawing NO.		Page	4
SCD-20U(40U)(80U)/40H		SCD-20U(40U)(80U)/40H-PUMP-CE-230V-G-4		Scale	Standard
Electrical Components Layout		Standard		Totally	6
Version		Approved by		Voltage	230V
G		Date		Frequency	50HZ
Drawer	Designer	Proofread by	Checked by		
		Modify date	Modify date		
		Modified by	Modified by		
		After modification	After modification		
Mark					



1		2		3		4		5		6		7		8	
NO.	Symbol	Name	Manufacturer	Type	Specification	Number	Material number	Remark							
1	Q1	Main power switch	EATON	P2-32-EA/SVB	32A	1	YE10132320000								
2	Q2 Q3	Circuit-breaker	TECO	BM-63C 3P	16A	2	YE40301603000								
3		Excitation release	TECO	MX	220V 50/60Hz	2	YE40023560000	A							
4	Q4 Q5	Circuit-breaker	TECO	BM-63C 3P	6A	2	YE40300603000								
5	Q6	Circuit-breaker	TECO	BM-63C 3P	16A	1	YE40301603000								
6	K1 K2 K3	Contacto	SIEMENS	3RT6016-1AN21	220V 50/60Hz	3	YE00601621000								
7	K4 K5	Contacto	SIEMENS	3RT6018-1AN21	220V 50/60Hz	2	YE00601800000								
8	K7 K8	Middle relay	WEIDMULLER	DRM270730LT	220V 50/60Hz	2	YE03270700000								
9	F1	Overload relay	SIEMENS	3RU6116-0GB0	0.45-0.63A	1	YE01161450000								
10	F2	Overload relay	SIEMENS	3RU6116-0FB0	0.35-0.5A	1	YE01350500000								
11	F3	Overload relay	SIEMENS	3RU6116-1HB0	5.5-8A	1	YE01160550000	B							
12	PCB	Microprocessor control board+display screen	PUMP	K.SF878500A.01-01	-----	1	YE80878500000								
13	U	DC power	MEAN WELL	NES-35-24	OUT=DC24V 1.5A	1	YE71352400100								
14	FU1	Fuse base	CHINT	RT18-32	2P	1	YE41032200000								
15		Fuse	CHINT	10×38 500V	2A	2	YE46002000100								
16	S1	Reed switch	FOTEK	FC-12V	24VDC	1	----	(1)							
17	S2	Photoelectric switch	FOTEK	T18-3MNB-PE	24VDC	1	----	(1)							
18	S3	Dew-point transducer	CS	CS 217-0EM	POWER=24VDC OUT=4-20mA	1	YE90021700100	(1)(2)							
19	S4	Micro switch	TEND	----	250V 5(4)A	1	----	(1)							
20	S5 S6	Temperature protector	EGO	WR-A-50-300-2500-3	250V 5(4)A	2	----	(1)							
21	S7 S8 S9	Thermocouple	SHINI	ST-K	K	3	----	(1)							
22	Y1 Y2	Solenoid valve	----	MSFW-230-50/60	230V 50/60Hz	2	----	(1)							
23	H1	Buzzer	SHINI	PK-35A	220V 50/60Hz	1	YE84003500200	(1)							
24	H2	Alarm indicator	SHINI	LED-3051	220V 50/60Hz	1	YE83305100200	(1)							
整机版本 Ver.D Notes: (1)Means it's not the material inside the control box. (2)Stands for optional.															
		Title		Drawing NO.		Scale		Page		D					
		SCD-20U(4-0U)(80U)/4-0H		SCD-20U(4-0U)(80U)/4-0H-PUMP-CE-230V-G-5		CE		5		Voltage 230V					
		Electrical Components List 1				Standard		CE		Frequency 50Hz					
		Version		Approved by		Voltage		Frequency							
		G		Date		20170620									
Mark		Before modification		After modification		Modified by		Modify date							
1		2		3		4		5		6		7		8	



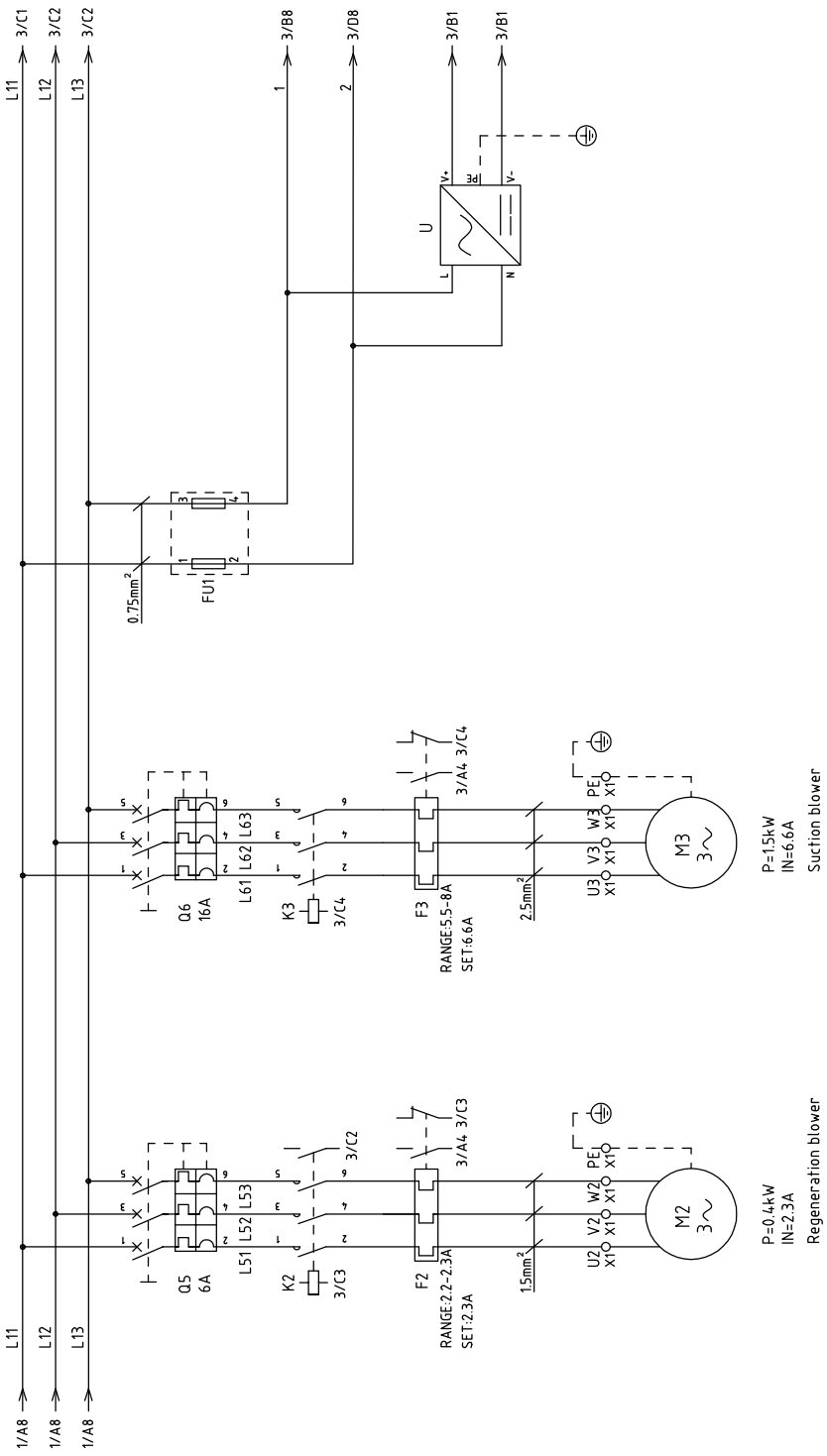
1	2		3	4	5	6	7	8
NO.	Symbol	Name	Manufacturer	Type	Specification	Number	Material number	Remark
25	X1	Terminal board	----	6mm ²	-	3	YE60000603200	
26				6mm ² PE	-	1	YE60000603500	
27				4mm ²	-	15	YE60000403200	A
28				4mm ² PE	-	5	YE60000403500	
29				2.5mm ²	-	14	YE60002503200	
30				2.5mm ²	32A 690V	6	YE60002503200	(2)
31				2.5mm ² PE	-	4	YE60002503400	
32				2.5mm ² PE	-	2	YE60002503400	(2)
33	X2	Terminal board	----	Spring terminals SK2.5-TL	10A 250V	3	YE60002503600	
34				FBS TB 10-ZDIK RD	10A 250V	3	YE60001000200	
35				SK-2.5TL 桥接件	10A 250V	3	YE60001003600	B
36	X3	Terminal board	----	2.5mm ²	-	5	YE60002503200	
37				2.5mm ² PE	-	1	YE60002503400	
38	X4	Heavy duty connector	SIBAS	HDC-HA-004.1	4P 10A	3	YE6804.1000100	(1)
39	X5	Heavy duty connector	SIBAS	HDC-HA-004.1	4P 10A	3	YE6804.1000100	(1)
40	X6	Heavy duty connector	SIBAS	HDC-HA-004.1	4P 10A	3	YE6804.1000100	(1)
41	FM	Fan	SUNON	DP-200A	230VAC	1	YM60121200400	(1)
42	M1	Blower	SHINI	-----	230V 0.18kW	1	-----	(1)
43	M2	Blower	SHINI	-----	230V 0.12kW	1	-----	(1)
44	M3	Blower	SHINI	-----	230V 1.5kW	1	-----	(1)
45	M4	Motor	-----	-----	230V 0.015kW	1	-----	(1)
46	EH1	Heater	SHINI	-----	230V 4kW	1	-----	(1)
47	EH2	Heater	SHINI	-----	230V 3kW	1	-----	(1)
48	S10	Communication interface board RS-485 (double Dsub-9pin Connector)	--	--	--	1	YE900048501200	(1)
49		Shell RS485(SAL-700G-A-1910)	--	--	--	1	YR40048500000	(1)
整机版本 Ver.D Notes: (1)Means it's not the material inside the control box. (2)Stands for optional.								
				D	Title	Drawing NO.	Scale	Page
				G	SCD-20U(4-0U)(80U)/4-0H	SCD-20U(4-0U)(80U)/4-0H-PUMP-CE-230V-G-6	CE	6
				Version	Electrical Components List 2	Standard	Voltage	Pages
				Designer	Approved by	Frequency	230V	6
				Proofread by	Date	20170620	50HZ	6
				Checked by	Date	20170620	50HZ	6
				Modified by	Modify date	20170620	50HZ	6
				Before modification	After modification	20170620	50HZ	6
				Mark	Date	20170620	50HZ	6
				SHINI	Shini Plastics Technologies, Inc.	5	7	8



整机版本 Ver.D Note: Regeneration heater changed to 4kW when it is 60Hz

Mark		Before modification		After modification		Modify Date		Checked by		Date		Approved by		Version		F		Title		Drawing No.		Scale		Page			
1																			SCD-120U(160U)/80H	SCD-120U(160U)/80H-PUMP-CE-230V-F-1	Standard	CE	Totally	7	Pages	230V	50Hz
																		Voltage		Frequency							



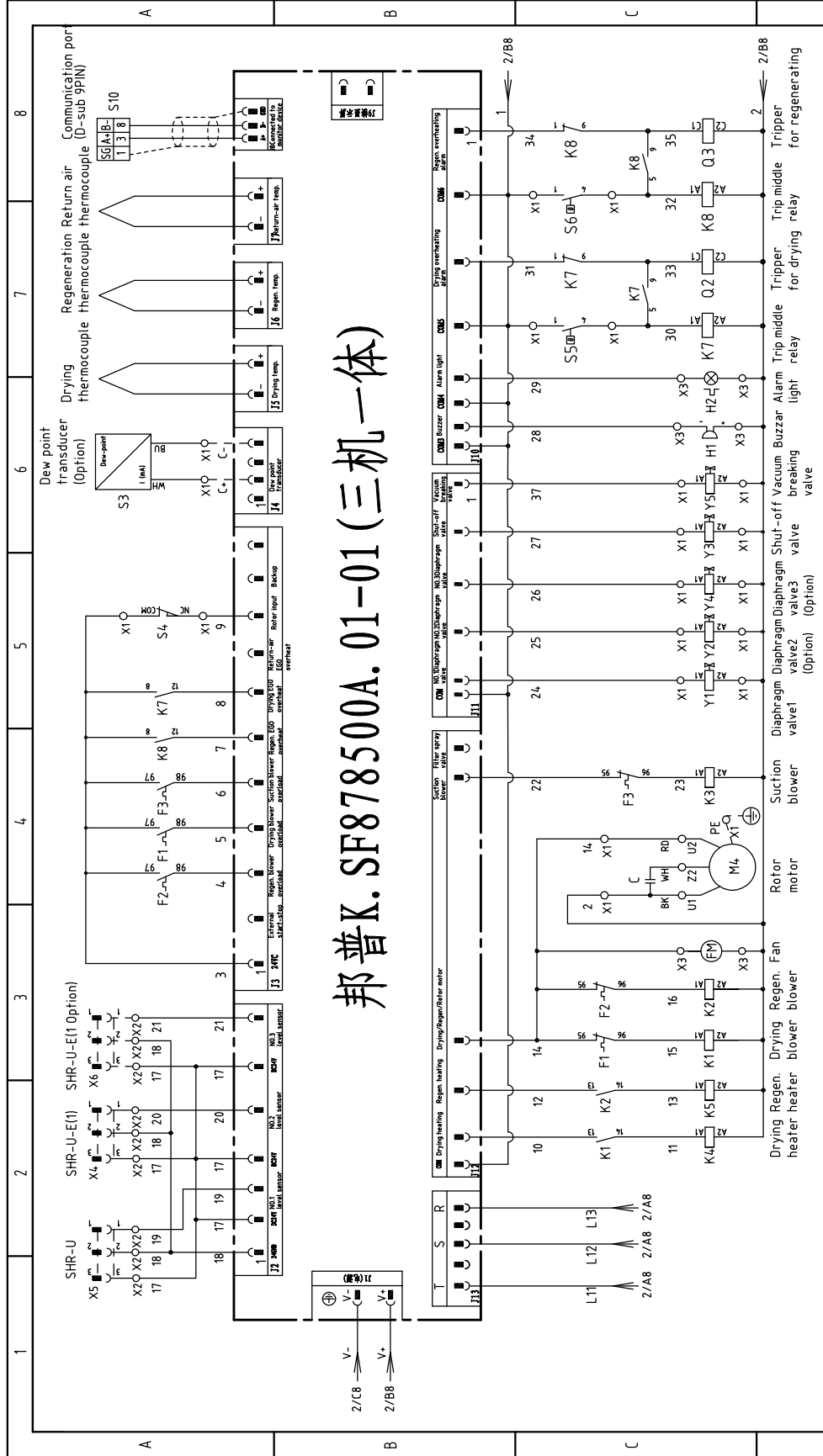


整机版本Ver.D

Mark	Before modification	Modified by	Date	20170620	Version	F	Title	SCD-120U(160U)/80H		Drawing NO.	SCD-120U(160U)/80H-PUMP-CE-230V-F-2		Scale	Page	2
	After modification	Modify date				Approved by			Standard		CE	Totally		7	Pages
					Checked by								Frequency	50Hz	



邦普K.SF878500A.01-01(三机一体)



整机版本 Ver.D

Note: When M2 is not adopted, substitute No. 24 wire for No. 25 as well as No. 26, and then connect it to diaphragm valve 1.

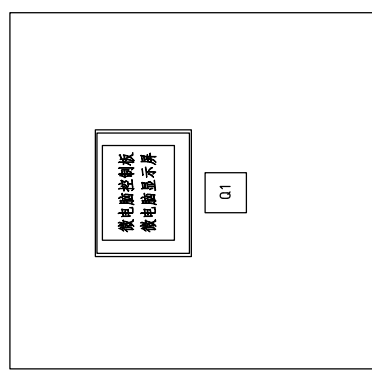
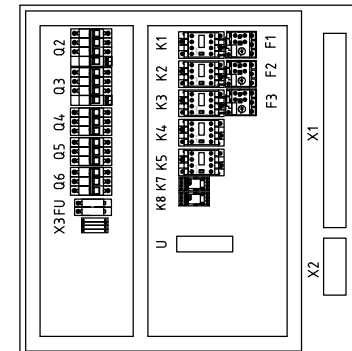
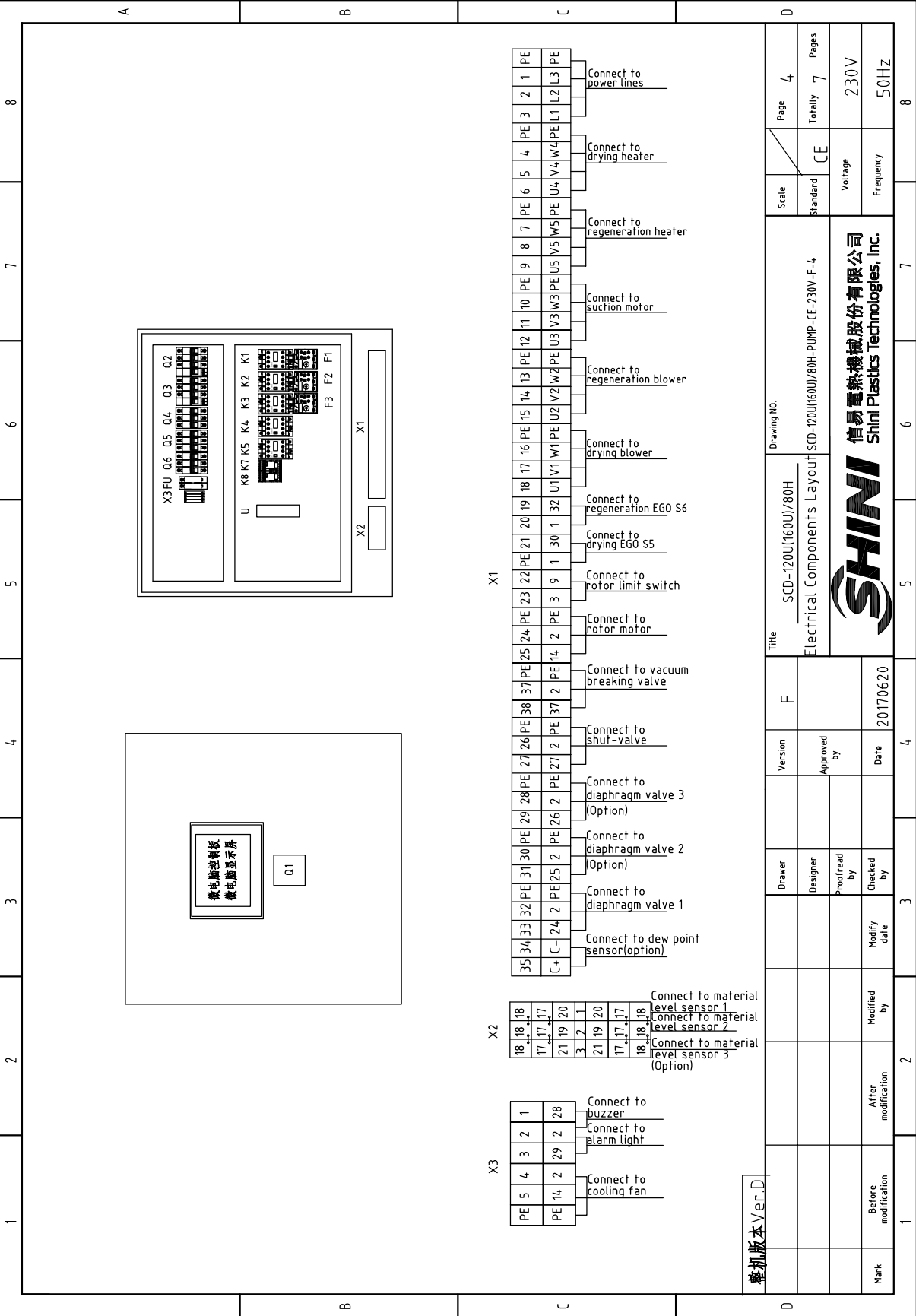
Title		Drawing No.	
SCD-120U(160U)/80H		SCD-120U(160U)/80H-PUMP-CE-230V-F-3	
Control Circuit Diagram			
Scale	CE	Page	3
Standard	CE	Totally	7
Voltage	230V	Frequency	50HZ

Mark	Before modification	After modification	Modify date	Checked by	Date

Version	Designer	Proofread by	Approved by
F			

Drawer	Version	Checked by	Date






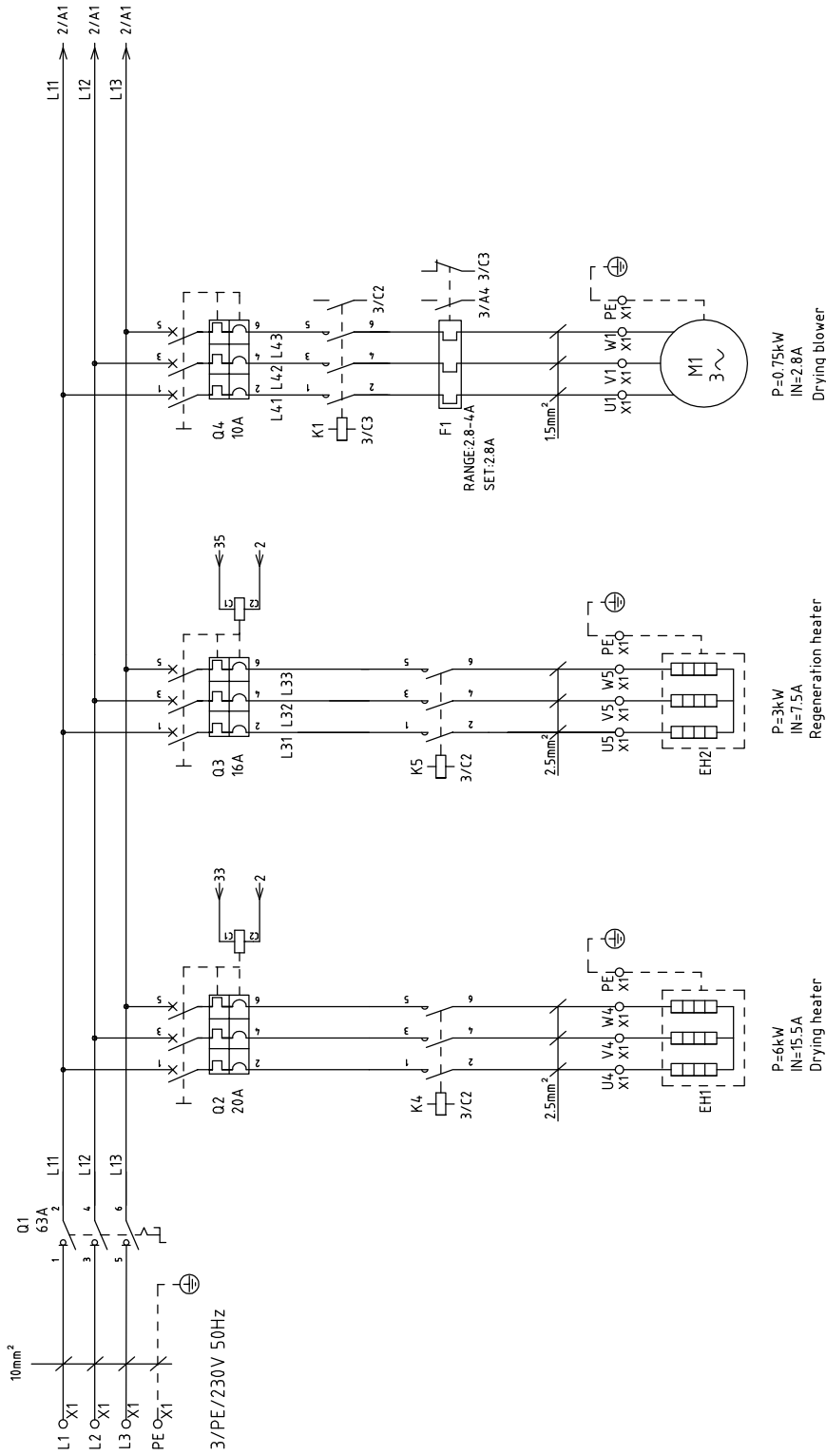
- X1
 - 35 34 33 32 PE 31 30 PE 29 28 PE 27 26 PE 25 24 PE 23 22 PE 21 20 19 18 17 16 PE 15 14 13 PE 12 11 10 PE 9 8 7 PE 6 5 4 PE 3 2 1 PE
 - C+ C- 24 2 PE 25 2 PE 26 2 PE 27 2 PE 28 2 PE 29 2 PE 30 2 PE 31 2 PE 32 2 PE 33 2 PE 34 2 PE 35 2 PE
 - Connect to dew point sensor(option)
 - Connect to diaphragm valve 1
 - Connect to diaphragm valve 2 (Option)
 - Connect to diaphragm valve 3 (Option)
 - Connect to shut-valve
 - Connect to vacuum breaking valve
 - Connect to rotor motor
 - Connect to rotor limit switch
 - Connect to drying EGO S5
 - Connect to regeneration EGO S6
 - Connect to drying blower
 - Connect to regeneration blower
 - Connect to suction motor
 - Connect to regeneration heater
 - Connect to drying heater
 - Connect to power lines
- X2
 - 18 18 17 17 21 19 20 3 2 1 21 19 20 17 17 18 18
 - Connect to material level sensor 1
 - Connect to material level sensor 2
 - Connect to material level sensor 3 (Option)
- X3
 - PE 5 4 3 2 1 PE 14 2 29 2 28
 - Connect to cooling fan
 - Connect to alarm light
 - Connect to buzzer

增加版本 Ver.D

Title		Drawing NO.		Scale	Page
SCD-120U(160U)/80H		SCD-120U(160U)/80H-PUMP-CE-230V-F-4		Standard	Totally 7
Electrical Components Layout		Voltage		Pages	
		230V		230V	
		Frequency		50HZ	
		Frequency		50HZ	
Version		Approved by		Date	
F				20170620	
Drawer	Designer	Proofread by	Checked by	Modify date	
Mark	Before modification	After modification	Modified by		

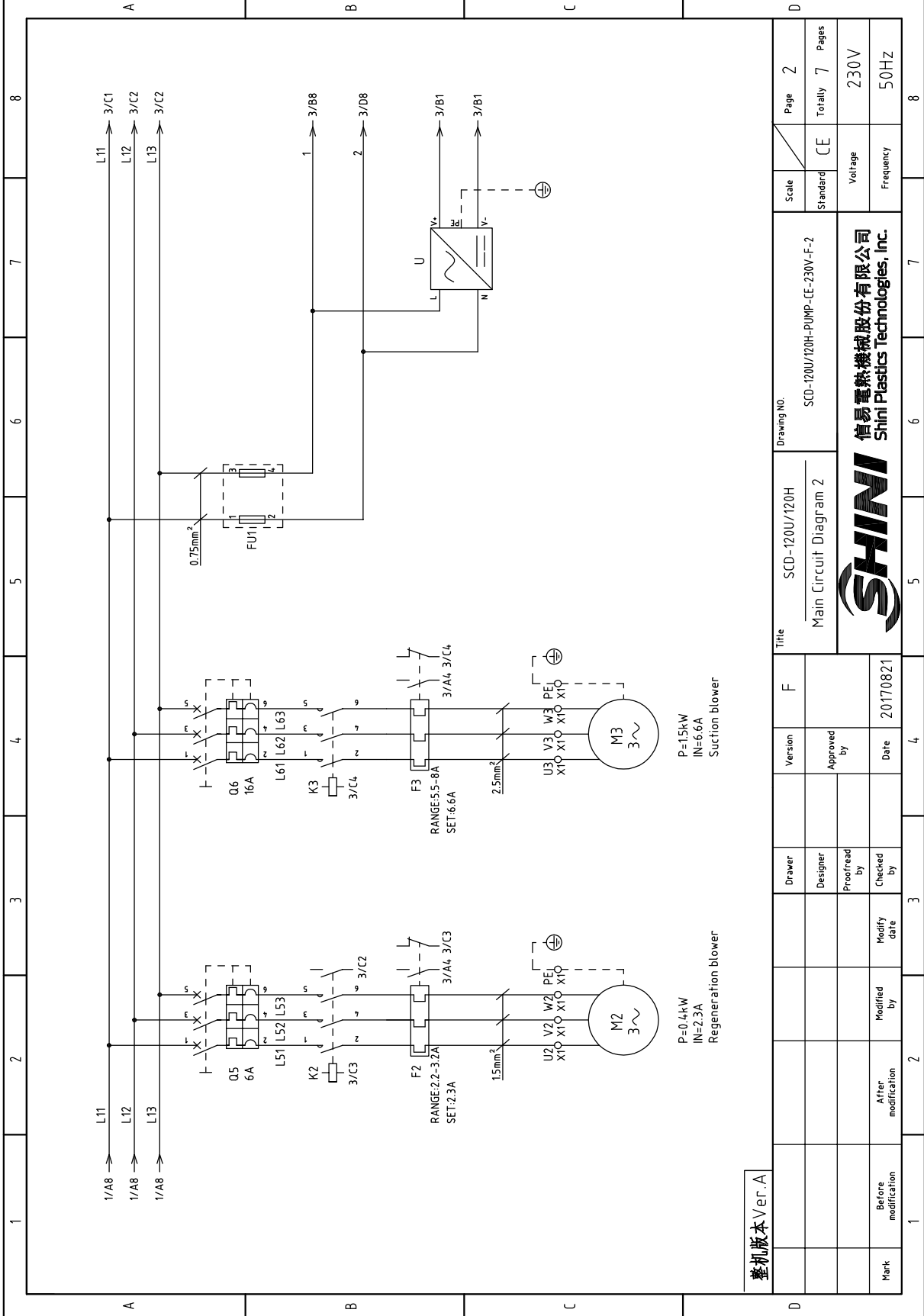


1		2		3		4		5		6		7		8	
NO.	Symbol	Name	Manufacturer	Type	Specification	Number	Material number	Remark							
26	H1	Buzzer	SHINI	PK-35A	220V 50/60Hz	1	YE84003500200	(1)							
27	H2	Alarm indicator	SHINI	LED-3051	220V 50/60Hz	1	YE83305100200	(1)							
28	X1	Terminal board	----	10mm ²	-	3	YE60001003200								
29				10mm ² PE	-	1	YE60001003500								
30				4mm ²	-	15	YE60000403200								
31				4mm ² PE	-	5	YE60000403500								
32				2.5mm ²	-	14	YE60002503200								
33				2.5mm ²	32A 690V	6	YE60002503200	(2)							
34				2.5mm ² PE	-	4	YE60002503400								
35				2.5mm ² PE	-	2	YE60002503400	(2)							
36	X2	Terminal board	----	Spring terminals SK2.5-TL	10A 250V	3	YE60002503600								
37				FBSTB 10-ZDIK RD	10A 250V	3	YE60001000200								
38				SK-2.5TL 桥接件	10A 250V	3	YE60001003600								
39	X3	Terminal board	----	2.5mm ²	-	5	YE60002503200								
40				2.5mm ² PE	-	1	YE60002503400								
41	X4	Heavy duty connector	SIBAS	HDC-HA-004.1	4P 10A	3	YE68041000100	(1)							
42	X5	Heavy duty connector	SIBAS	HDC-HA-004.1	4P 10A	3	YE68041000100	(1)							
43	X6	Heavy duty connector	SIBAS	HDC-HA-004.1	4P 10A	3	YE68041000100	(1)							
44	FM	Fan	SUNON	DP-200A	230VAC	1	YM601212004.00	(1)							
45	M1	Blower	SHINI	-----	230V 0.75kW	1	-----	(1)							
46	M2	Blower	SHINI	-----	230V 0.4kW	1	-----	(1)							
47	M3	Blower	SHINI	-----	230V 1.5kW	1	-----	(1)							
48	M4	Motor	----	-----	230V 0.015kW	1	-----	(1)							
49	EH1	Heater	SHINI	-----	230V 6kW	1	-----	(1)							
50	EH2	Heater	SHINI	-----	230V 3kW	1	-----	(1)							
整机版本 Ver.D Notes: (1)Means it's not the material inside the control box. (2)Stands for optional.															
				Title		Drawing NO.		Scale		Page		6		8	
				SCD-120U(160U)/80H		SCD-120U(160U)/80H-PUMP-CE-230V-F-6		Standard		CE		Voltage		230V	
				Electrical Components List 2				Frequency				50Hz			
				 信易塑料机械股份有限公司 Shini Plastics Technologies, Inc.											
Mark		Before modification		After modification		20170620		Date		20170620		Date		20170620	
1		2		3		4		5		6		7		8	



整机版本 Ver. A | Note: Regeneration heater changed to 4kW when it is 60Hz

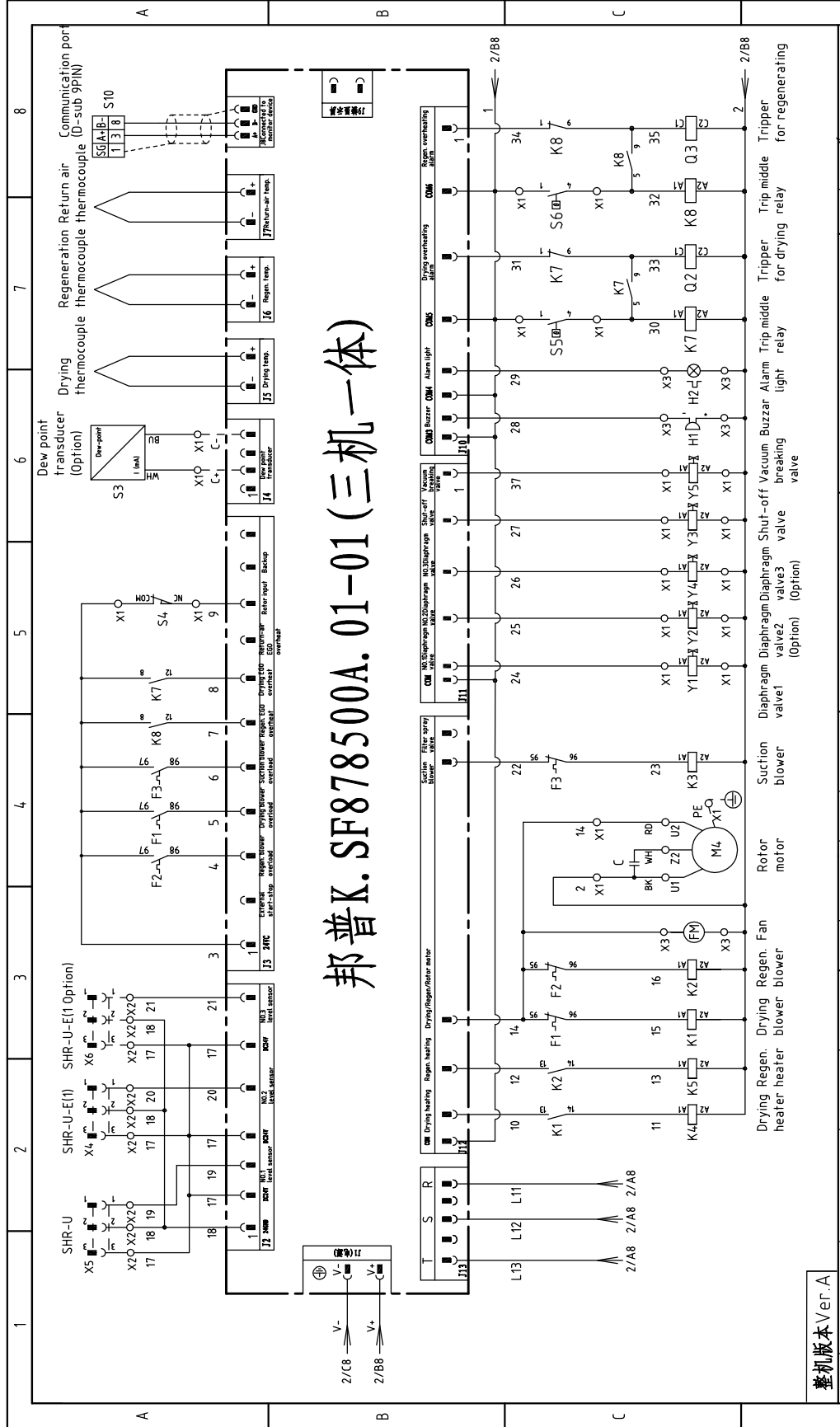
Title		Drawing No.		Scale	Page
SCD-120U/120H		SCD-120U/120H-PUMP-CE-230V-F-1		Standard	Totally 7
Main Circuit Diagram 1		CE		Voltage	230V
SHINI 信易电热机械股份有限公司 Shini Plastics Technologies, Inc.		Frequency		50Hz	
Version	Designer	Drawn	Checked by	Modify date	After modification
	Approved by				
	Date	20170821			
Mark	Before modification				



整机版本 Ver.A

Title		Drawing No.		Scale	Page
SCD-120U/120H		SCD-120U/120H-PUMP-CE-230V-F-2		Standard	2
Main Circuit Diagram 2				Voltage	230V
				Frequency	50Hz
Version		F		Totally 7	
Approved by		Date		Pages	
Checked by		20170821		7	
Modify date				230V	
Before modification				50Hz	
Mark				8	



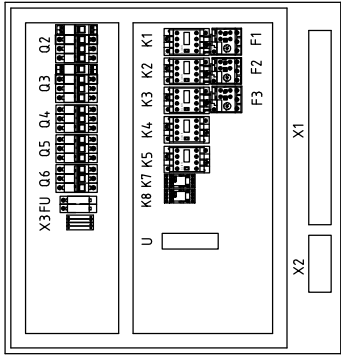
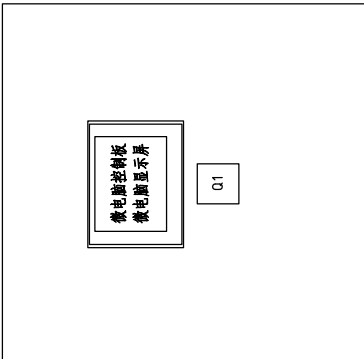
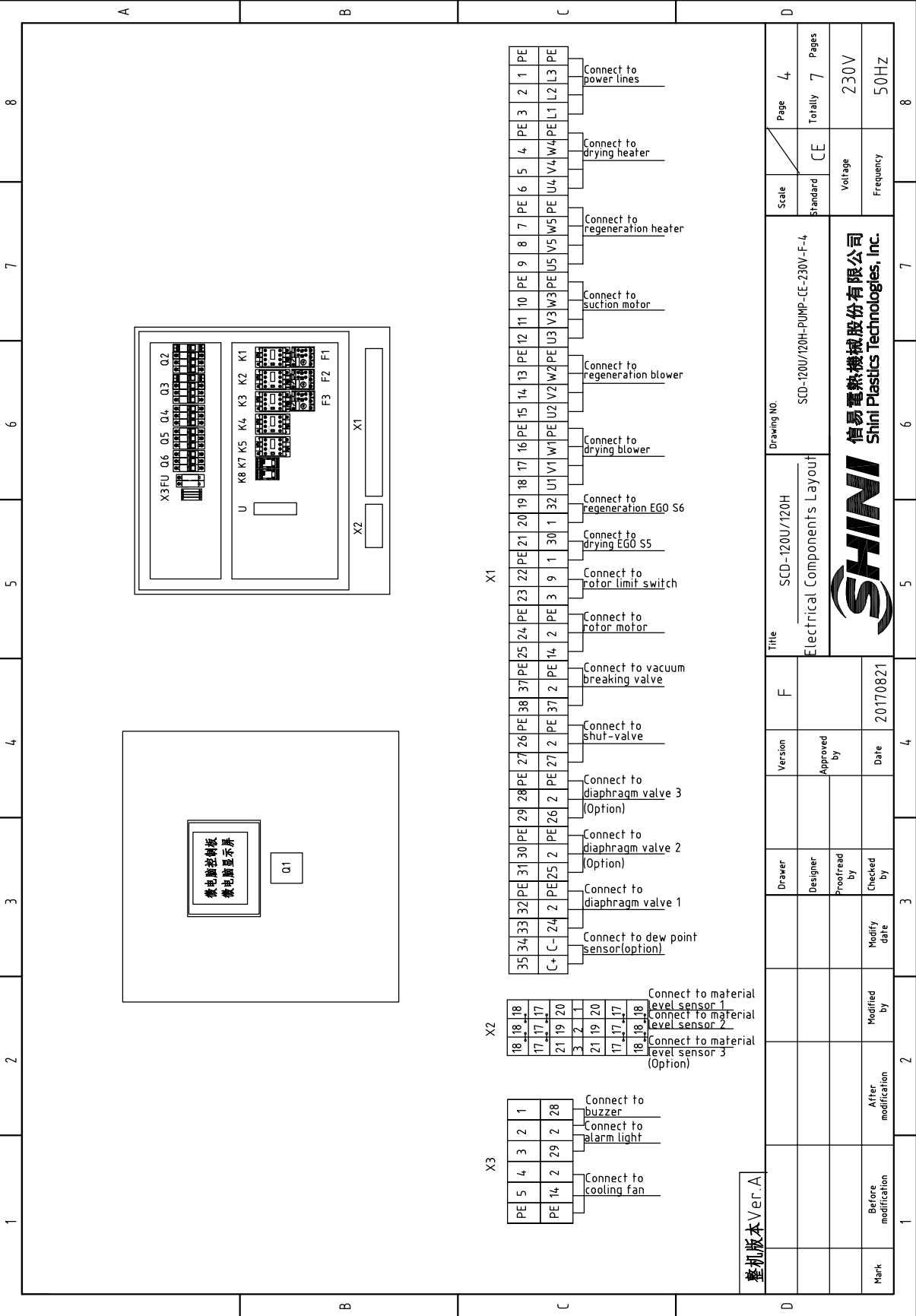


邦普K.SF878500A.01-01 (三机一体)

整机版本 Ver.A

Title	Drawing NO.	Scale	Page	3
Control Circuit Diagram	SCD-120U/120H	Standard	CE	Totally 7 Pages
Version	Designer	Voltage	230V	
Approved by	Proofread by	Frequency	50HZ	
Date	Checked by			
20170821	Modify date			
Before modification	After modification			
1	2	3	4	5
				6
				7
				8
				9
				10
				11
				12
				13
				14
				15
				16
				17
				18
				19
				20
				21
				22
				23
				24
				25
				26
				27
				28
				29
				30
				31
				32
				33
				34
				35
				36
				37
				38
				39
				40
				41
				42
				43
				44
				45
				46
				47
				48
				49
				50






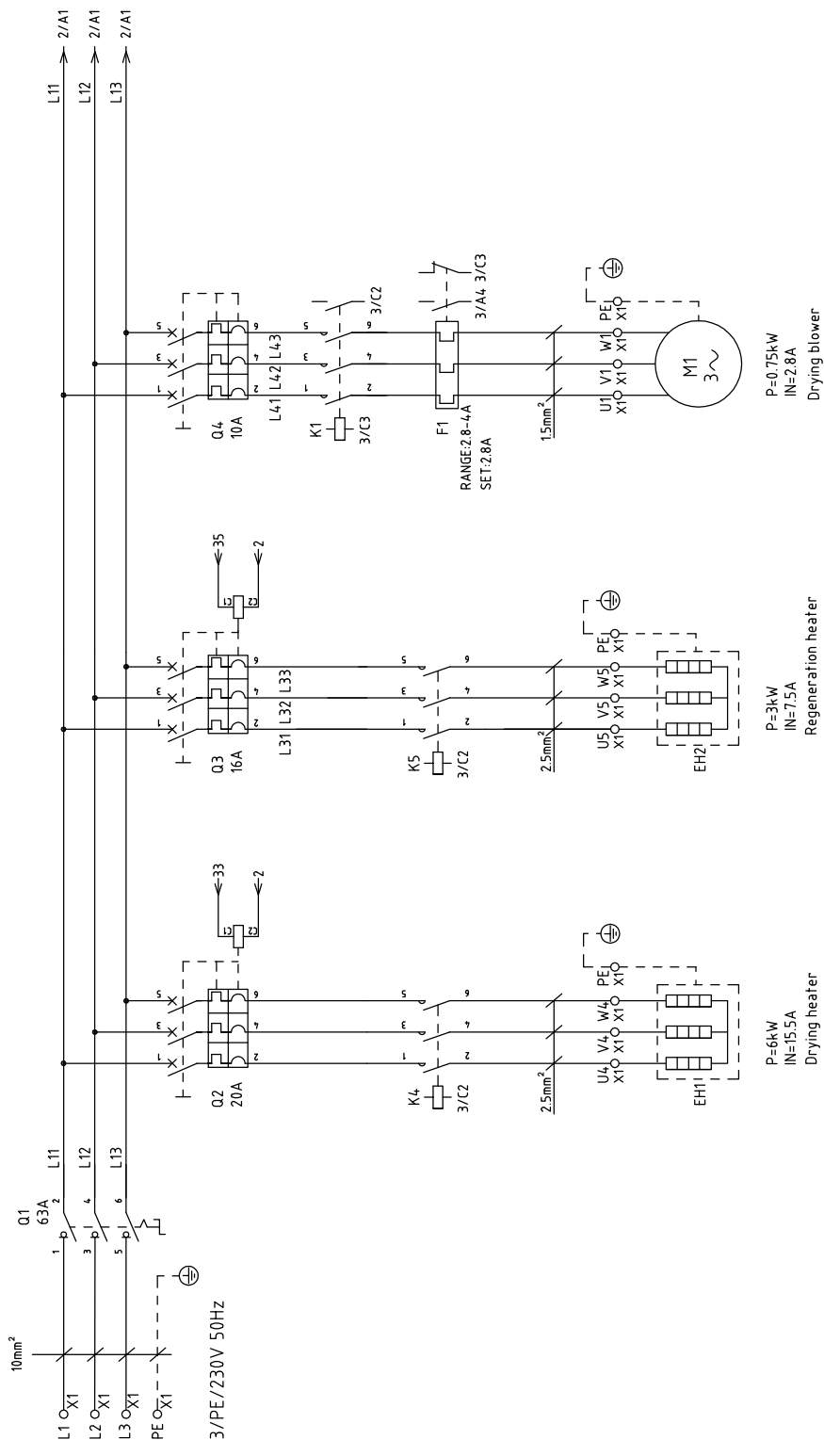
- X3
 - PE 5 4 3 2 1
 - PE 14 2 29 2 28
- X2
 - 18, 18, 18
 - 17, 17, 17
 - 21, 19, 20
 - 3 2 1
 - 21, 19, 20
 - 17, 17, 17
 - 18, 18, 18
- X1
 - PE 5 4 3 2 1 PE
 - PE 6 5 4 PE
 - PE 7 6 5 4 PE
 - PE 8 7 6 5 4 PE
 - PE 9 8 7 6 5 4 PE
 - PE 10 9 8 7 6 5 4 PE
 - PE 11 10 9 8 7 6 5 4 PE
 - PE 12 11 10 9 8 7 6 5 4 PE
 - PE 13 12 11 10 9 8 7 6 5 4 PE
 - PE 14 13 12 11 10 9 8 7 6 5 4 PE
 - PE 15 14 13 12 11 10 9 8 7 6 5 4 PE
 - PE 16 15 14 13 12 11 10 9 8 7 6 5 4 PE
 - PE 17 16 15 14 13 12 11 10 9 8 7 6 5 4 PE
 - PE 18 17 16 15 14 13 12 11 10 9 8 7 6 5 4 PE
 - PE 19 18 17 16 15 14 13 12 11 10 9 8 7 6 5 4 PE
 - PE 20 19 18 17 16 15 14 13 12 11 10 9 8 7 6 5 4 PE
 - PE 21 20 19 18 17 16 15 14 13 12 11 10 9 8 7 6 5 4 PE
 - PE 22 21 20 19 18 17 16 15 14 13 12 11 10 9 8 7 6 5 4 PE
 - PE 23 22 21 20 19 18 17 16 15 14 13 12 11 10 9 8 7 6 5 4 PE
 - PE 24 23 22 21 20 19 18 17 16 15 14 13 12 11 10 9 8 7 6 5 4 PE
 - PE 25 24 23 22 21 20 19 18 17 16 15 14 13 12 11 10 9 8 7 6 5 4 PE
 - PE 26 25 24 23 22 21 20 19 18 17 16 15 14 13 12 11 10 9 8 7 6 5 4 PE
 - PE 27 26 25 24 23 22 21 20 19 18 17 16 15 14 13 12 11 10 9 8 7 6 5 4 PE
 - PE 28 27 26 25 24 23 22 21 20 19 18 17 16 15 14 13 12 11 10 9 8 7 6 5 4 PE
 - PE 29 28 27 26 25 24 23 22 21 20 19 18 17 16 15 14 13 12 11 10 9 8 7 6 5 4 PE
 - PE 30 29 28 27 26 25 24 23 22 21 20 19 18 17 16 15 14 13 12 11 10 9 8 7 6 5 4 PE
 - PE 31 30 29 28 27 26 25 24 23 22 21 20 19 18 17 16 15 14 13 12 11 10 9 8 7 6 5 4 PE
 - PE 32 31 30 29 28 27 26 25 24 23 22 21 20 19 18 17 16 15 14 13 12 11 10 9 8 7 6 5 4 PE
 - PE 33 32 31 30 29 28 27 26 25 24 23 22 21 20 19 18 17 16 15 14 13 12 11 10 9 8 7 6 5 4 PE
 - PE 34 33 32 31 30 29 28 27 26 25 24 23 22 21 20 19 18 17 16 15 14 13 12 11 10 9 8 7 6 5 4 PE
 - PE 35 34 33 32 31 30 29 28 27 26 25 24 23 22 21 20 19 18 17 16 15 14 13 12 11 10 9 8 7 6 5 4 PE
 - C+ C- 24 2
 - U1 V1 W1
 - U2 V2 W2
 - U3 V3 W3
 - U4 V4 W4
 - U5 V5 W5

整机版本 Ver.A

Title		Drawing NO.		Page	4
SCD-120U/120H		SCD-120U/120H-PUMP-CE-230V-F-4		Scale	Standard
Electrical Components Layout		CE		Totally	7
SHINI		信易电热机械股份有限公司		Voltage	230V
SHINI		Shini Plastics Technologies, Inc.		Frequency	50HZ
Version	F	Approved by		Pages	7
Designer		Checked by	20170821		
Proofread by		Modify date			
Drawer		After modification			
Before modification					

1		2		3		4		5		6		7		8	
NO.	Symbol	Name	Manufacturer	Type	Specification	Number	Material number	Remark							
1	Q1	Main power switch	EATON	P2-63-EA/SVB	63A	1	YE10163630000								
2	Q2	Circuit-breaker	TECO	BM-63C 3P	20A	1	YE40302003000								
3	Q3 Q6	Circuit-breaker	TECO	BM-63C 3P	16A	2	YE40301603000	A							
4		Excitation release	TECO	MX	220V 50/60Hz	2	YE40023560000								
5	Q4	Circuit-breaker	TECO	BM-63C 3P	10A	1	YE40301003000								
6	Q5	Circuit-breaker	TECO	BM-63C 3P	6A	1	YE40300603000								
7	K1 K2 K3	Contactor	SIEMENS	3RT6016-1AN21	220V 50/60Hz	3	YE00601621000								
8	K4	Contactor	SIEMENS	3RT6026-1AN20	220V 50/60Hz	1	YE00602622000								
9	K5	Contactor	SIEMENS	3RT6018-1AN21	220V 50/60Hz	1	YE00601800000								
10	K7 K8	Middle relay	WEIDMULLER	DRM270730LT	220V 50/60Hz	2	YE03270700000								
11	F1	Overload relay	SIEMENS	3RU1116-1EB0	2.8-4A	1	YE01280400100	B							
12	F2	Overload relay	SIEMENS	3RU6116-1DB0	2.2-3.2A	1	YE01160220000								
13	F3	Overload relay	SIEMENS	3RU6116-1HB0	5.5-8A	1	YE01160550000								
14	PCB	Microprocessor control board+display screen	PUMP	K.SF878500A.01-01	-----	1	YE80878500000								
15	U	DC power	MEAN WELL	NES-35-24	OUT=DC24V 1.5A	1	YE71352400100								
16	FU1	Fuse base	CHINT	RT18-32	2P	1	YE41032200000								
17		Fuse	CHINT	10x38 500V	2A	2	YE46002000100								
18	S1	Reed switch	FOTEK	FC-12V	24VDC	1	----	(1)							
19	S2	Photoelectric switch	FOTEK	T18-3MNB-PE	24VDC	1	----	(1)							
20	S3	Dew-point transducer	CS	CS 217-OEM	POWER=24VDC OUT=4-20mA	1	YE90021700100	(1)(2)							
21	S4	Micro switch	TEND	-----	250V 5(4)A	1	----	(1)							
22	S5 S6	Temperature protector	EGO	WR-A-50-300-2500-3	250V 5(4)A	2	----	(1)							
23	ST S8 S9	Thermocouple	SHINI	ST-K	K	3	----	(1)							
24	Y1 Y2 Y3 Y5	Solenoid valve	----	MSFW-230-50/60	230V 50/60Hz	4	----	(1)							
25	Y4	Solenoid valve	----	MSFW-230-50/60	230V 50/60Hz	1	----	(1)(2)							
整机版本 A Notes: (1)Means it's not the material inside the control box. (2)Stands for optional.															
D		Title		Drawing NO.		Scale		Page		5		7		8	
		SCD-120U/120H		SCD-120U/120H-PUMP-CE-230V-F-5		CE		Voltage		230V		Frequency		50Hz	
		Electrical Components List 1		SHINI		Shini Plastics Technologies, Inc.									
Mark		Before modification		After modification		Modify date		Checked by		Date		20170821			

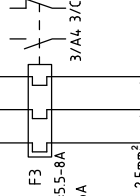
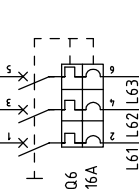
1		2		3		4		5		6		7		8	
NO.	Symbol	Name	Manufacturer	Type	Specification	Number	Material number	Remark							
26	H1	Buzzer	SHINI	PK-35A	220V 50/60Hz	1	YE84003500200	(1)							
27	H2	Alarm indicator	SHINI	LED-3051	220V 50/60Hz	1	YE83305100200	(1)							
28	X1	Terminal board	----	10mm ²	-	3	YE60001003200		A						
29				10mm ² PE	-	1	YE60001003500								
30				4mm ²	-	15	YE60000403200								
31				4mm ² PE	-	5	YE60000403500								
32				2.5mm ²	-	16	YE60002503200								
33				2.5mm ²	32A 690V	4	YE60002503200	(2)							
34				2.5mm ² PE	-	5	YE60002503400								
35				2.5mm ² PE	-	1	YE60002503400	(2)							
36	X2	Terminal board	----	Spring terminals SK2.5-TL	10A 250V	2	YE60002503600		B						
37				Spring terminals SK2.5-TL	10A 250V	1	YE60002503600	(2)							
38				SK-2.5TL桥接件	10A 250V	1	YE60001003600								
39	X3	Terminal board	----	2.5mm ²	-	5	YE60002503200								
40				2.5mm ² PE	-	1	YE60002503400								
41	X4	Heavy duty connector	SIBAS	HDC-HA-004.1	4P 10A	3	YE68041000100	(1)							
42	X5	Heavy duty connector	SIBAS	HDC-HA-004.1	4P 10A	3	YE68041000100	(1)							
43	X6	Heavy duty connector	SIBAS	HDC-HA-004.1	4P 10A	3	YE68041000100	(1)							
44	FM	Fan	SUNON	DP-200A	230VAC	1	YM60121200400	(1)	C						
45	M1	Blower	SHINI	-----	230V 0.75kW	1	-----	(1)							
46	M2	Blower	SHINI	-----	230V 0.4kW	1	-----	(1)							
47	M3	Blower	SHINI	-----	230V 1.5kW	1	-----	(1)							
48	M4	Motor	----	-----	230V 0.015kW	1	-----	(1)							
49	EH1	Heater	SHINI	-----	230V 6kW	1	-----	(1)							
50	EH2	Heater	SHINI	-----	230V 3kW	1	-----	(1)	50HZ机型						
整机版本 Ver.A Notes: (1)Means it's not the material inside the control box. (2)Stands for optional.															
				Title		Drawing NO.		Scale		Page		6		8	
				SCD-120U/120H		SCD-120U/120H-PUMP-CE-230V-F-6		Standard		CE		Voltage		230V	
				Electrical Components List 2								Frequency		50Hz	
				 信易电热机械股份有限公司 Shini Plastics Technologies, Inc.											
Mark		Before modification		Modified by		Modify date		Checked by		Date		20170821			
1		2		3		4		5		6		7		8	




整机版本 Ver.E Note: Regeneration heater changed to 4kW when it is 60Hz

Title		Version		F		Drawing No.	
SCD-160U/120H						SCD-160U/120H-PUMP-CE-230V-F-1	
Main Circuit Diagram 1		Approved by		Date		Standard	
				20170821		CE	
Mark	Before modification	After modification	Modify date	Checked by	Proofofread by	Designer	Drawer
1							
Voltage		Frequency		Page		Pages	
230V		50Hz		1		Totally 7	

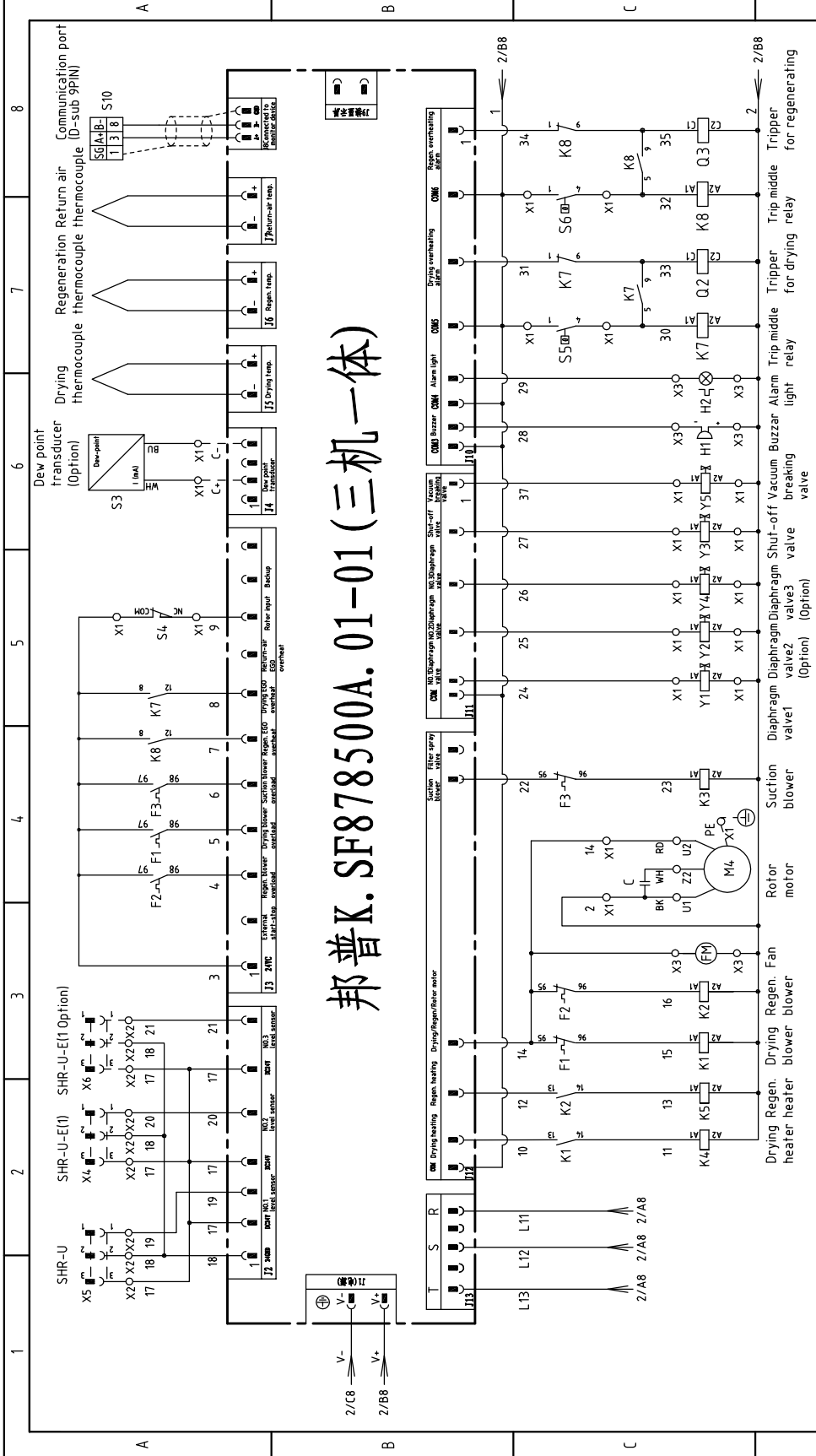




整机版本 Ver.E

Mark	Before modification	Modified by	Date	20170821	Version	F	Title	SCD-160U/120H	Drawing NO.	SCD-160U/120H-PUMP-CE-230V-F-2	Scale	Page 2	
	After modification	Modify date	Approved by	Checked by		Designer		Proofread by		Standard		CE	Totally 7
 <p>信易塑料机械股份有限公司 Shini Plastics Technologies, Inc.</p>												Voltage	230V
												Frequency	50Hz

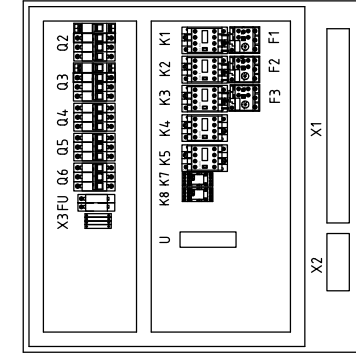
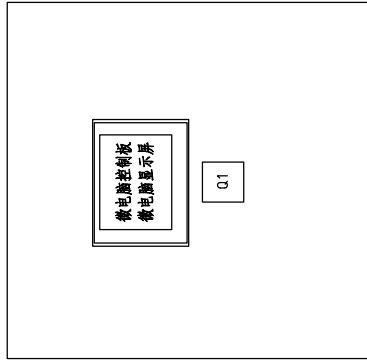
邦普K.SF878500A.01-01 (三机一体)



整机版本 Ver.E

Title		Drawing NO.	
Control Circuit Diagram		SCD-160U/120H	
Version		Scale	
F		CE	
Designer		Standard	
Proofread by		Voltage	
Checked by		Frequency	
Date		Page	
20170821		3	
Modified by		Totally	
After modification		7	
Mark		Pages	
Before modification		230V	
		50HZ	





微电脑控制板
微电脑显示屏

Q1

PE 5	4	3	2	1	Connect to cooling fan
PE 14	2	29	2	28	Connect to alarm light
PE 3	2	3	2	1	Connect to buzzer
18	18	18	18	18	Connect to material level sensor 1
17	17	17	17	17	
21	19	20	20	20	
3	2	1	1	1	Connect to material level sensor 2
21	19	20	20	20	
17	17	17	17	17	
18	18	18	18	18	Connect to material level sensor 3 (Option)
35	34	33	32	31	
30	29	28	27	26	
PE 25	2	PE 25	2	PE 25	Connect to diaphragm valve 1
PE 26	2	PE 26	2	PE 26	Connect to diaphragm valve 2 (Option)
PE 27	2	PE 27	2	PE 27	Connect to diaphragm valve 3 (Option)
PE 37	2	PE 37	2	PE 37	Connect to shut-valve
PE 38	2	PE 38	2	PE 38	Connect to vacuum breaking valve
PE 14	2	PE 14	2	PE 14	Connect to rotor motor
PE 3	2	PE 3	2	PE 3	Connect to rotor limit switch
PE 9	1	30	1	30	Connect to drying EGO S5
PE 32	1	32	1	32	Connect to regeneration EGO S6
PE 31	1	31	1	31	Connect to drying blower
PE 16	1	16	1	16	Connect to regeneration blower
PE 17	1	17	1	17	Connect to suction motor
PE 8	1	8	1	8	Connect to regeneration heater
PE 5	1	5	1	5	Connect to drying heater
PE 4	1	4	1	4	Connect to power lines

整机版本 Ver.E

Mark	Before modification	Modified by	20170821	Date	Version	F	Title	Drawing NO.	Page	4
	After modification	Modified by	20170821						Totally	7
Before modification	Modified by	20170821	Date	Version	F	Title	SCD-160U/120H	SCD-160U/120H-PUMP-CE-230V-F-4	Scale	CE
After modification	Modified by	20170821	Date	Approved by	F	Electrical Components Layout	SCD-160U/120H-PUMP-CE-230V-F-4	Standard	CE	Voltage
Before modification	Modified by	20170821	Date	Checked by	20170821	Electrical Components Layout	SCD-160U/120H-PUMP-CE-230V-F-4	Frequency	CE	230V
After modification	Modified by	20170821	Date	Proofread by	20170821	Electrical Components Layout	SCD-160U/120H-PUMP-CE-230V-F-4	Frequency	CE	50HZ



1		2		3		4		5		6		7		8	
NO.	Symbol	Name	Manufacturer	Type	Specification	Number	Material number	Remark							
1	Q1	Main power switch	EATON	P2-63-EA/SVB	63A	1	YE10163630000								
2	Q2	Circuit-breaker	TECO	BM-63C 3P	20A	1	YE40302003000								
3	Q3 Q6	Circuit-breaker	TECO	BM-63C 3P	16A	2	YE40301603000	A							
4		Excitation release	TECO	MX	220V 50/60Hz	2	YE40023560000								
5	Q4	Circuit-breaker	TECO	BM-63C 3P	10A	1	YE40301003000								
6	Q5	Circuit-breaker	TECO	BM-63C 3P	6A	1	YE40300603000								
7	K1 K2 K3	Contactor	SIEMENS	3RT6016-1AN21	220V 50/60Hz	3	YE00601621000								
8	K4	Contactor	SIEMENS	3RT6026-1AN20	220V 50/60Hz	1	YE00602622000								
9	K5	Contactor	SIEMENS	3RT6018-1AN21	220V 50/60Hz	1	YE00601800000								
10	K7 K8	Middle relay	WEIDMULLER	DRM270730LT	220V 50/60Hz	2	YE03270700000								
11	F1	Overload relay	SIEMENS	3RU1116-1EB0	2.8-4A	1	YE01280400100	B							
12	F2	Overload relay	SIEMENS	3RU6116-1DB0	2.2-3.2A	1	YE01160220000								
13	F3	Overload relay	SIEMENS	3RU6116-1HB0	5.5-8A	1	YE01160550000								
14	PCB	Microprocessor control board-display screen	PUMP	K.SF878500A.01-01	-----	1	YE800878500000								
15	U	DC power	MEAN WELL	NES-35-24	OUT=DC24V 1.5A	1	YE71352400100								
16	FU1	Fuse base	CHINT	RT18-32	2P	1	YE41032200000								
17		Fuse	CHINT	10x38 500V	2A	2	YE46002000100								
18	S1	Reed switch	FOTEK	FC-12V	24VDC	1	----	(1)							
19	S2	Photoelectric switch	FOTEK	T18-3MNB-PE	24VDC	1	----	(1)							
20	S3	Dew-point transducer	CS	CS 217-OEM	POWER=24VDC OUT=4-20mA	1	YE90021700100	(1)(2)							
21	S4	Micro switch	TEND	-----	250V 5(4)A	1	----	(1)							
22	S5 S6	Temperature protector	EGO	WR-A-50-300-2500-3	250V 5(4)A	2	----	(1)							
23	ST S8 S9	Thermocouple	SHINI	ST-K	K	3	----	(1)							
24	Y1 Y2 Y3 Y5	Solenoid valve	----	MSFW-230-50/60	230V 50/60Hz	4	----	(1)							
25	Y4	Solenoid valve	----	MSFW-230-50/60	230V 50/60Hz	1	----	(1)(2)							

整机版本 Ver.E Notes: (1)Means it's not the material inside the control box. (2)Stands for optional.

D		E		F		G		H	
Mark	Before modification	After modification	Modify date	Checked by	Date	Proofread by	Approved by	Version	Title
								F	SCD-160U/120H Electrical Components List 1
									SCD-160U/120H-PUMP-CE-230V-F-5
									Scale
									Standard
									Voltage
									Frequency
									CE
									Page 5
									Totally 7
									Pages
									230V
									50Hz

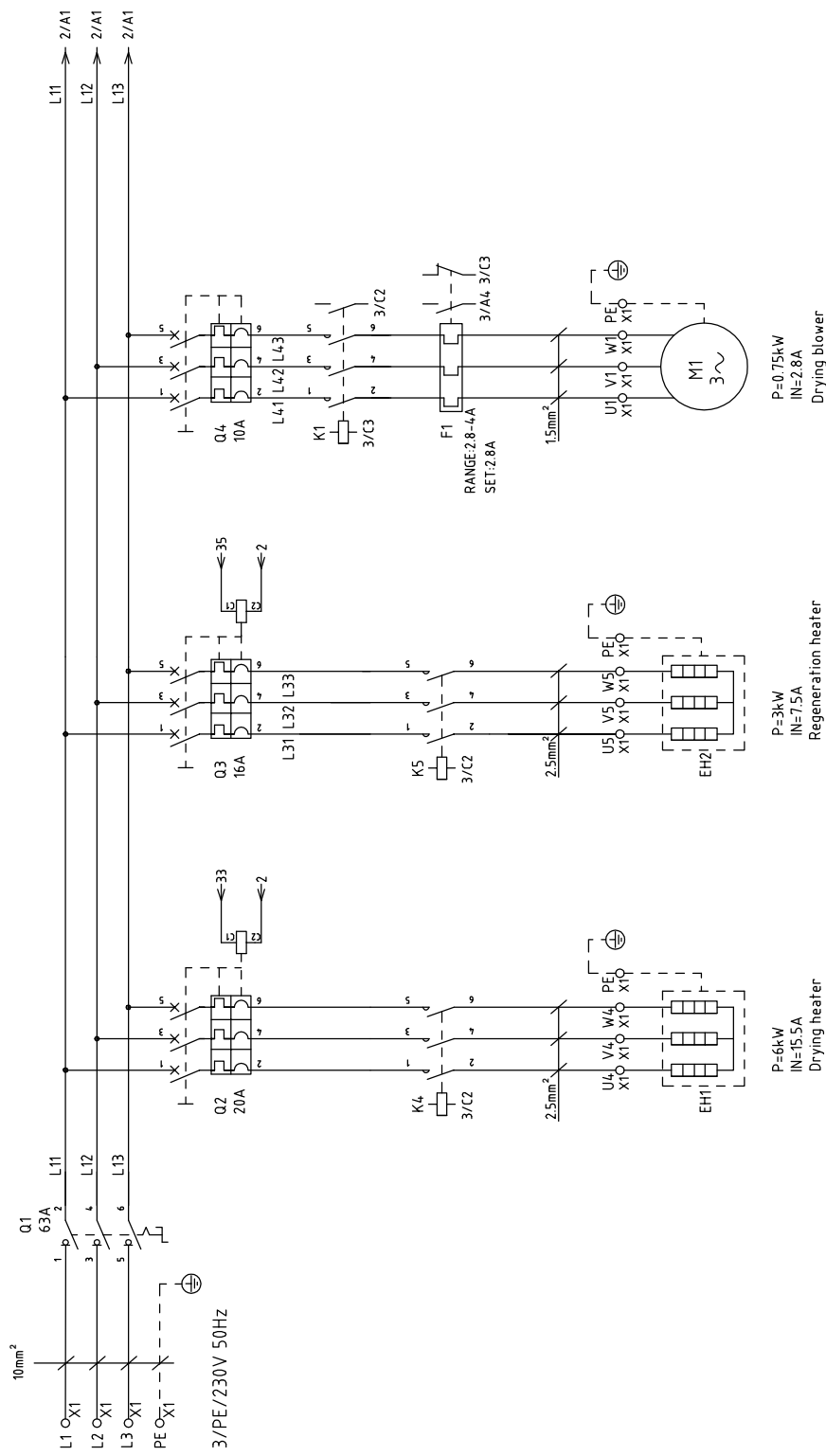


1		2		3		4		5		6		7		8	
NO.	Symbol	Name	Manufacturer	Type	Specification	Number	Material number	Remark							
26	H1	Buzzer	SHINI	PK-35A	220V 50/60Hz	1	YE84003500200	(1)							
27	H2	Alarm indicator	SHINI	LED-3051	220V 50/60Hz	1	YE83305100200	(1)							
A		X1	Terminal board	10mm ²	-	3	YE60001003200								
29				10mm ² PE	-	1	YE60001003500								
30				4mm ²	-	15	YE60000403200								
31				4mm ² PE	-	5	YE60000403500								
32				2.5mm ²	-	16	YE60002503200								
33				2.5mm ²	32A 690V	4	YE60002503200	(2)							
34				2.5mm ² PE	-	5	YE60002503400								
35				2.5mm ² PE	-	1	YE60002503400	(2)							
B		X2	Terminal board	Spring terminals SK2.5-TL	10A 250V	2	YE60002503600	(2)							
37				Spring terminals SK2.5-TL	10A 250V	1	YE60002503600								
38				SK-2.5TL桥接件	10A 250V	1	YE60001003600								
39	X3	Terminal board		2.5mm ²	-	5	YE60002503200								
40				2.5mm ² PE	-	1	YE60002503400								
41	X4	Heavy duty connector	SIBAS	HDC-HA-004.1	4P 10A	3	YE68041000100	(1)							
42	X5	Heavy duty connector	SIBAS	HDC-HA-004.1	4P 10A	3	YE68041000100	(1)							
43	X6	Heavy duty connector	SIBAS	HDC-HA-004.1	4P 10A	3	YE68041000100	(1)							
C		FM	Fan	DP-200A	230VAC	1	YM60121200400	(1)							
45	M1	Blower	SHINI	-----	230V 0.75kW	1	-----	(1)							
46	M2	Blower	SHINI	-----	230V 0.4kW	1	-----	(1)							
47	M3	Blower	SHINI	-----	230V 1.5kW	1	-----	(1)							
48	M4	Motor	-----	-----	230V 0.015kW	1	-----	(1)							
49	EH1	Heater	SHINI	-----	230V 6kW	1	-----	(1)							
50	EH2	Heater	SHINI	-----	230V 3kW	1	-----	(1)							
<p>整机版本 Ver. E Notes: (1)Means it's not the material inside the control box. (2)Stands for optional.</p>															
D				Drawer	Version	F	Title		Drawing NO.		Scale	Page		6	
				Designer	Approved by		SCD-160U/120H		SCD-160U/120H-PUMP-CE-230V-F-6		Standard	CE		Voltage	
				Proofread by			Electrical Components List 2							230V	
				Checked by	Date	20170821								Frequency	
Mark		Before modification		After modification		Modify date								50Hz	
1		2		3		4		5		6		7		8	



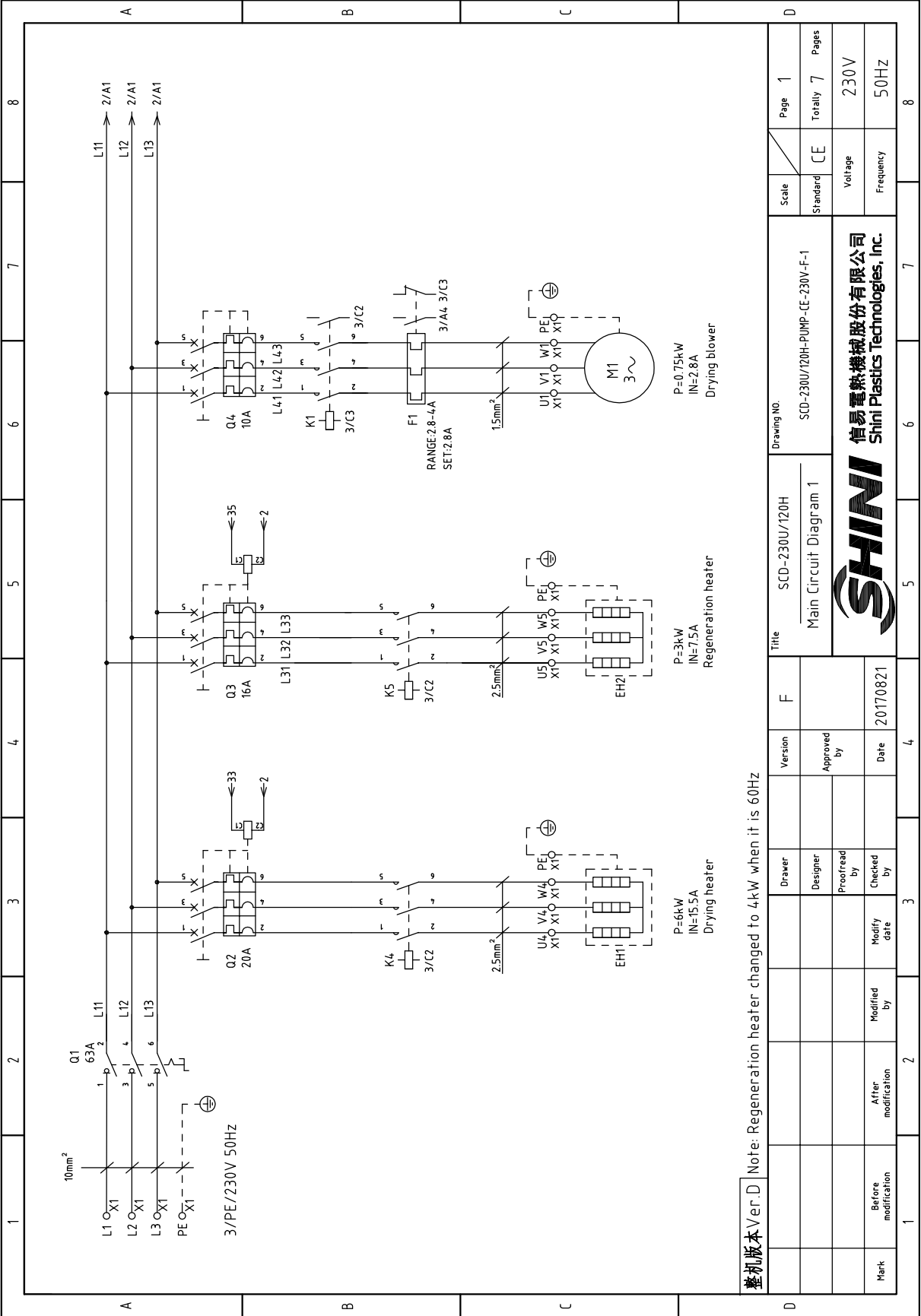
1	2		3	4	5	6	7	8
NO.	Symbol	Name	Manufacturer	Type	Specification	Number	Material number	Remark
51	EH2	Heater	SHINI	-----	230V 4kW	1	----- 60HZ机型	(1)
52	S10	Communication interface board (double Dsub-9pin connector)	--	--	--	1	YE90048501200	(1)
53		Shell RS485(SAL-700G-A-1910)	--	--	--	1	YR40048500000	(1)
A								
B								
C								
D								
整机版本 Ver.E Notes: (1)Means it's not the material inside the control box. (2)Stands for optional.								
			Drawer	Version	Title	Drawing NO.		Scale
			Designer	F	SCD-160U/120H	SCD-160U/20H-PUMP-CE-230V-F-7		Page 7
			Proofread by	Approved by	Electrical Components List 3		Standard	Totally 7 Pages
			Checked by	Date			CE	230V
			Modified by	20170821			Frequency	50HZ
			Modified date					
1	2		3	4	5	6	7	8

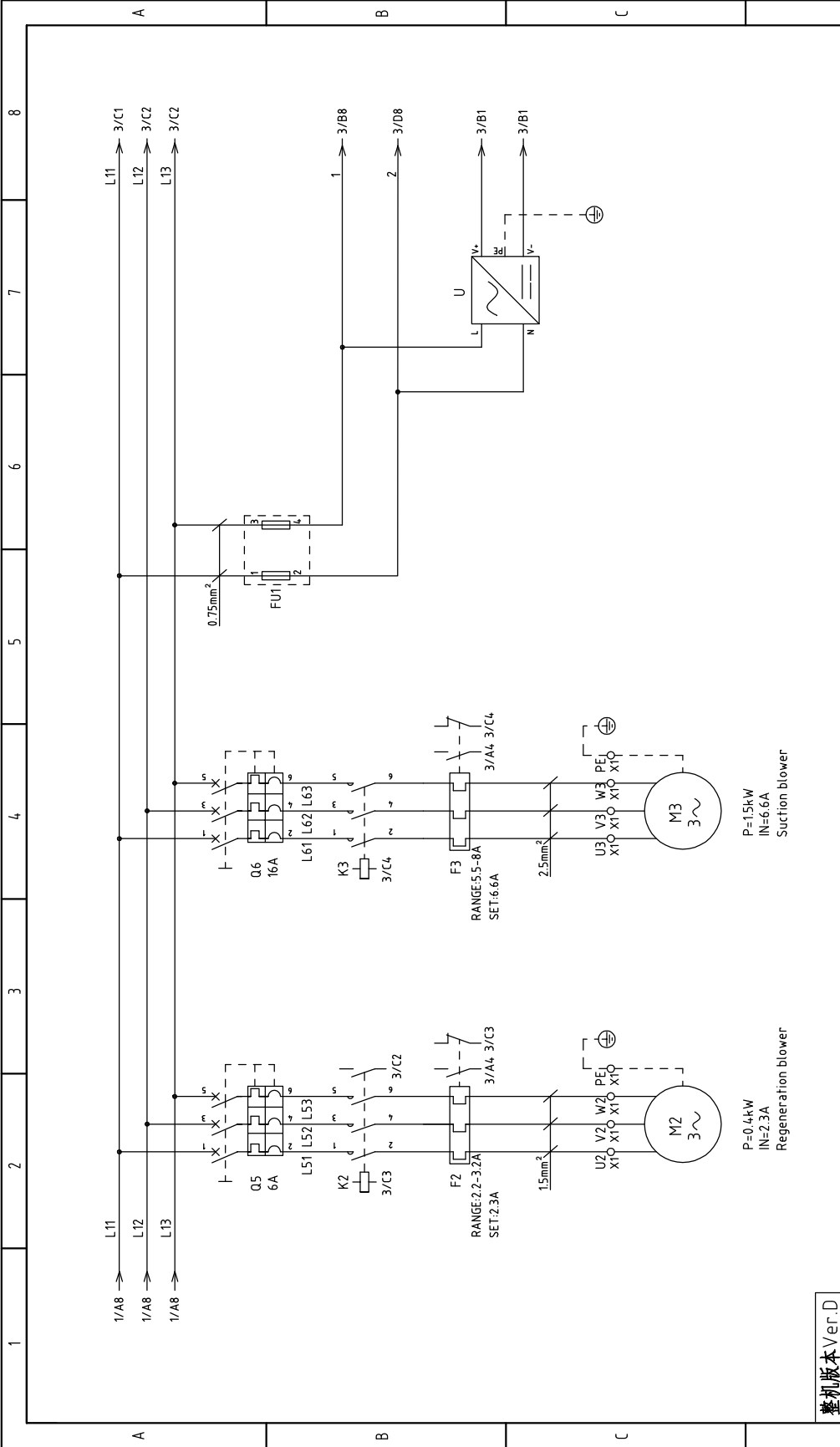




整机版本 Ver.D Note: Regeneration heater changed to 4kW when it is 60Hz

Mark		Before modification	After modification	Modify date	Checked by	20170821	Date	20170821	Date	20170821
Designer		Proofread by	Approved by	Version	F	Title		SCD-230U/120H		
Drawer		SCD-230U/120H		Drawing NO.		SCD-230U/120H-PUMP-CE-230V-F-1		Scale		
Page 1		Standard		CE		Voltage		230V		
Totally 7		Pages		50Hz		Frequency		50Hz		



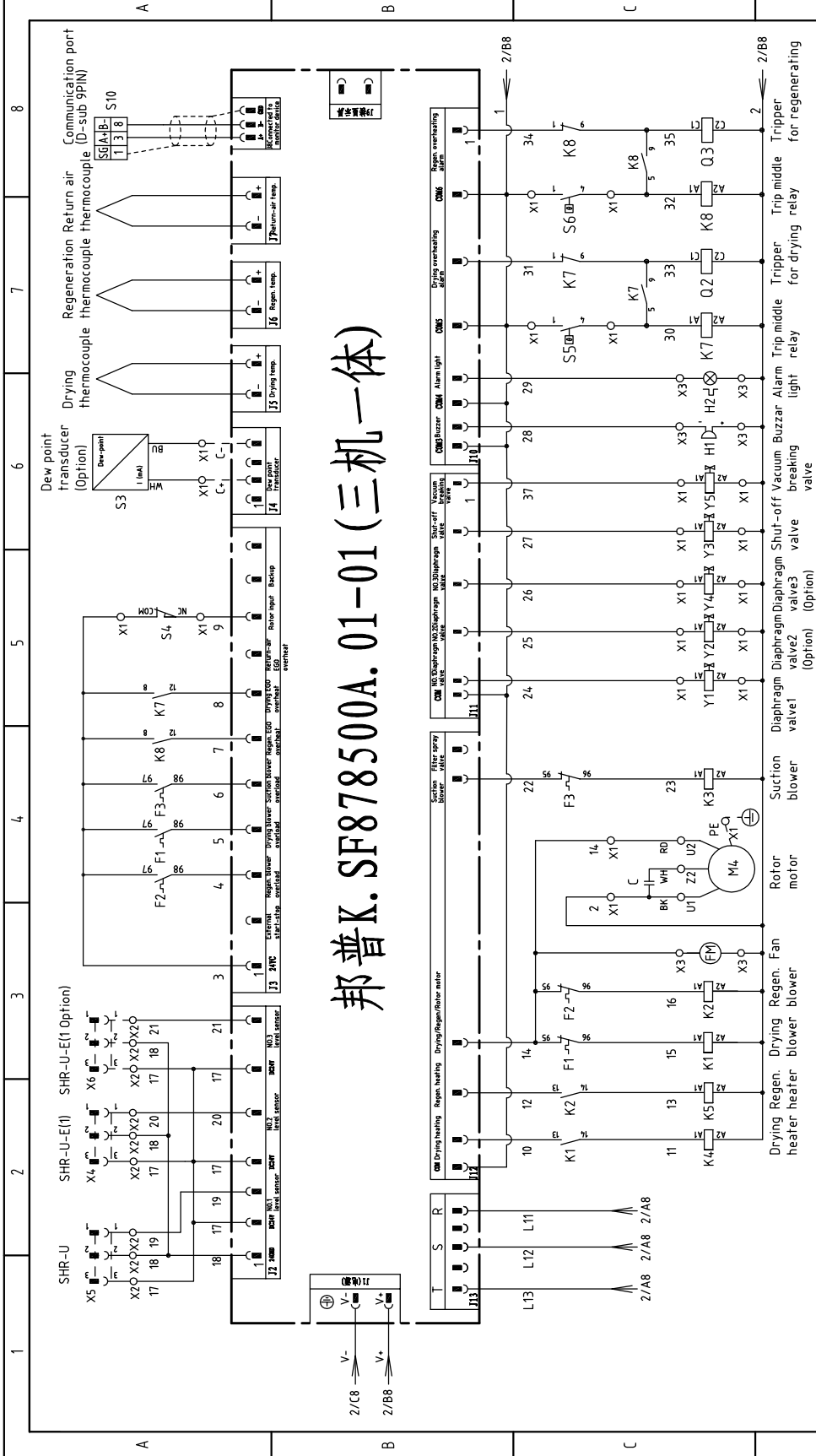


整机版本 Ver.D

Title		Drawing NO.		Scale	Page
SCD-230U/120H		SCD-230U/120H-PUMP-CE-230V-F-2		Standard	2
Main Circuit Diagram 2				Voltage	230V
				Frequency	50Hz
Version		F		Totally 7	
Approved by				Pages	
Date		20170821		CE	
Before modification		After modification		7	
Mark		Modify Date		8	



邦普K.SF878500A.01-01 (三机一体)



整机版本 Ver.D

1	2	3	4	5	6	7	8
Title				Drawing NO.			
SCD-230U/120H				SCD-230U/120H-PUMP-CE-230V-F-3			
Control Circuit Diagram				Scale			
Version				Standard			
F				CE			
Drawer				Page 3			
Designer				Totally 7			
Proofread by				Voltage			
Checked by				230V			
Modified by				Frequency			
Modify date				50HZ			
Mark				Before modification			
20170821				After modification			
Date				Date			
20170821				Date			
Date				Date			
20170821				Date			



1	2		3	4	5	6	7	8
NO.	Symbol	Name	Manufacturer	Type	Specification	Number	Material number	Remark
1	Q1	Main power switch	EATON	P2-63-EA/SVB	63A	1	YE10163630000	
2	Q2	Circuit-breaker	TECO	BM-63C 3P	20A	1	YE40302003000	
3	Q3 Q6	Circuit-breaker	TECO	BM-63C 3P	16A	2	YE40301603000	A
4		Excitation release	TECO	MX	220V 50/60Hz	2	YE40023560000	
5	Q4	Circuit-breaker	TECO	BM-63C 3P	10A	1	YE40301003000	
6	Q5	Circuit-breaker	TECO	BM-63C 3P	6A	1	YE40300603000	
7	K1 K2 K3	Contactor	SIEMENS	3RT6016-1AN21	220V 50/60Hz	3	YE00601621000	
8	K4	Contactor	SIEMENS	3RT6026-1AN20	220V 50/60Hz	1	YE00602622000	
9	K5	Contactor	SIEMENS	3RT6018-1AN21	220V 50/60Hz	1	YE00601800000	
10	K7 K8	Middle relay	WEIDMULLER	DRM270730LT	220V 50/60Hz	2	YE03270700000	
11	F1	Overload relay	SIEMENS	3RU1116-1EB0	2.8-4A	1	YE01280400100	B
12	F2	Overload relay	SIEMENS	3RU6116-1DB0	2.2-3.2A	1	YE01160220000	
13	F3	Overload relay	SIEMENS	3RU6116-1HB0	5.5-8A	1	YE01160550000	
14	PCB	Microprocessor control board+display screen	PUMP	K.SF878500A.01-01	-----	1	YE80878500000	
15	U	DC power	MEAN WELL	NES-35-24	OUT=DC24V 1.5A	1	YE71352400100	
16	FU1	Fuse base	CHINT	RT18-32	2P	1	YE44032200000	
17		Fuse	CHINT	10x38 500V	2A	2	YE46002000100	
18	S1	Reed switch	FOTEK	FC-12V	24VDC	1	----	(1)
19	S2	Photoelectric switch	FOTEK	T18-3MNB-PE	24VDC	1	----	(1)
20	S3	Dew-point transducer	CS	CS 217-OEM	POWER=24VDC OUT=4-20mA	1	YE90021700100	(1)(2)
21	S4	Micro switch	TEND	-----	250V 5(4)A	1	----	(1)
22	S5 S6	Temperature protector	EGO	WR-A-50-300-2500-3	250V 5(4)A	2	----	(1)
23	ST S8 S9	Thermocouple	SHINI	ST-K	K	3	----	(1)
24	Y1 Y2 Y3 Y5	Solenoid valve	----	MSFW-230-50/60	230V 50/60Hz	4	----	(1)
25	Y4	Solenoid valve	----	MSFW-230-50/60	230V 50/60Hz	1	----	(1)(2)

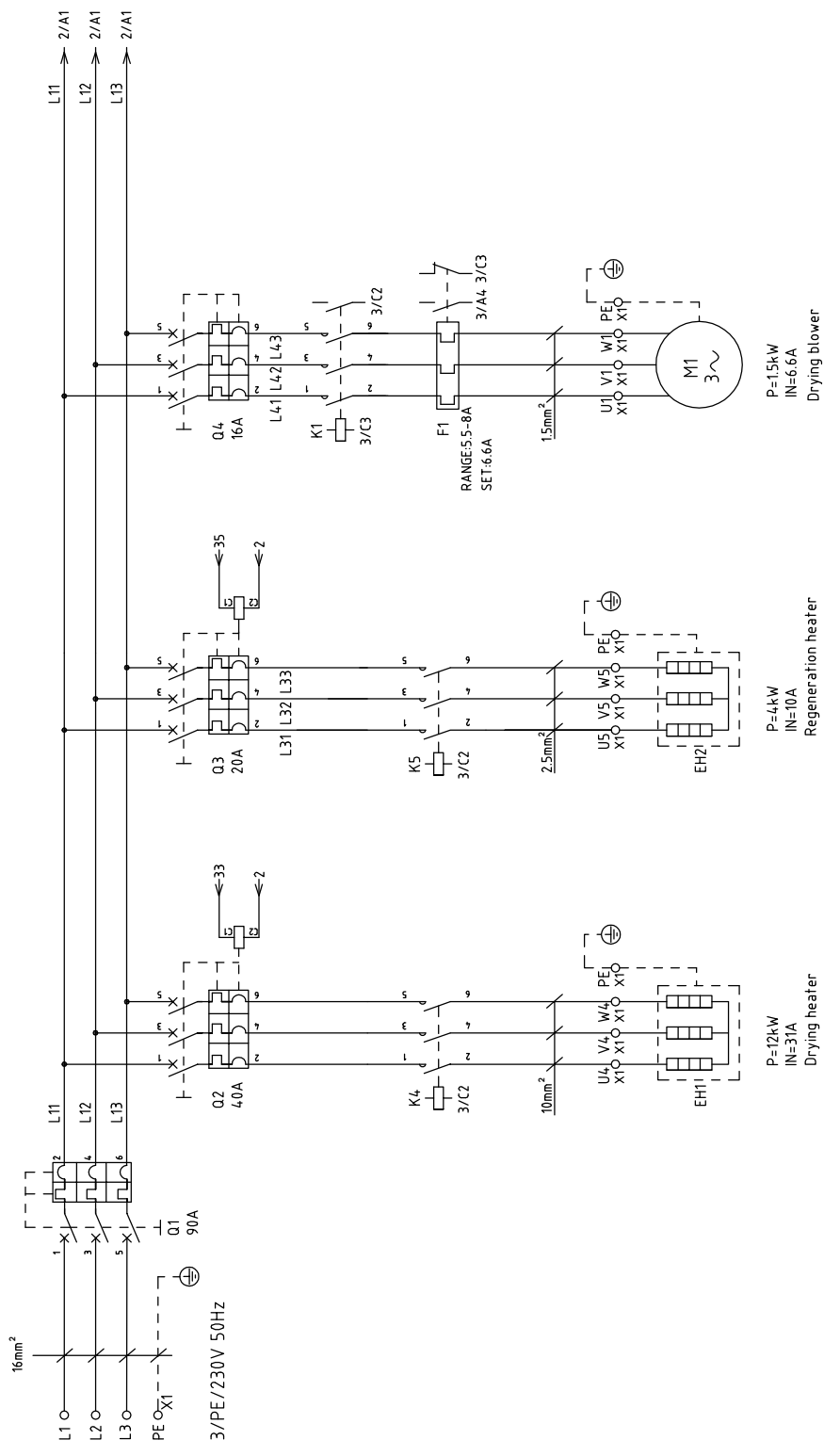
整机版本 Ver.D Notes: (1)Means it's not the material inside the control box. (2)Stands for optional.

D	1	2	3	4	5	6	7	8
Mark	Before modification	After modification	Modify date	Checked by	Date	Proofread by	Approved by	Version
								F
								Electrical Components List 1
								SCD-230U/120H
								SCD-230U/120H-PUMP-CE-230V-F-5
								Standard
								Scale
								CE
								Page 5
								Totally 7
								Pages
								230V
								50Hz
								Frequency
								Voltage



1		2		3		4		5		6		7		8	
NO.	Symbol	Name	Manufacturer	Type	Specification	Number	Material number	Remark							
26	H1	Buzzer	SHINI	PK-35A	220V 50/60HZ	1	YE84003500200	(1)							
27	H2	Alarm indicator	SHINI	LED-3051	220V 50/60HZ	1	YE83305100200	(1)							
A		Terminal board	----	10mm ²	-	3	YE60001003200								
29				10mm ² PE	-	1	YE60001003500								
30				4mm ²	-	15	YE60000403200								
31				4mm ² PE	-	5	YE60000403500								
32				2.5mm ²	-	16	YE60002503200								
33				2.5mm ²	32A 690V	4	YE60002503200	(2)							
34				2.5mm ² PE	-	5	YE60002503400								
35				2.5mm ² PE	-	1	YE60002503400	(2)							
B		Terminal board	----	Spring terminals SK2.5-TL	10A 250V	2	YE60002503600								
37	X2			Spring terminals SK2.5-TL	10A 250V	1	YE60002503600	(2)							
38				SK-2.5TL桥接件	10A 250V	1	YE60001003600								
39	X3	Terminal board	----	2.5mm ²	-	5	YE60002503200								
40				2.5mm ² PE	-	1	YE60002503400								
C		Heavy duty connector	SIBAS	HDC-HA-004.1	4P 10A	3	YE68041000100	(1)							
42	X5			HDC-HA-004.1	4P 10A	3	YE68041000100	(1)							
43	X6	Heavy duty connector	SIBAS	HDC-HA-004.1	4P 10A	3	YE68041000100	(1)							
44	FM	Fan	SUNON	DP-200A	230VAC	1	YM601212004.00	(1)							
45	M1	Blower	SHINI	-----	230V 0.75kW	1	-----	(1)							
46	M2	Blower	SHINI	-----	230V 0.4kW	1	-----	(1)							
47	M3	Blower	SHINI	-----	230V 1.5kW	1	-----	(1)							
48	M4	Motor	----	-----	230V 0.015kW	1	-----	(1)							
49	EH1	Heater	SHINI	-----	230V 6kW	1	-----	(1)							
50	EH2	Heater	SHINI	-----	230V 3kW	1	-----	(1)							
整机版本 Ver.D Notes: (1)Means it's not the material inside the control box. (2)Stands for optional.															
D						Title		Drawing NO.		Scale		Page		8	
						SCD-230U/120H		SCD-230U/20H-PUMP-CE-230V-F-6		Standard		CE		Voltage	
						Electrical Components List 2						Totally		7	
												Pages		230V	
Mark		Before modification		Modified by		Modify date		Checked by		Date		20170821		Frequency	
												50Hz			
												5		6	
												7		8	
												SHINI		信易塑料机械股份有限公司 Shini Plastics Technologies, Inc.	

1		2		3		4		5		6		7		8			
NO.	Symbol	Name	Manufacturer	Type	Specification	Number	Material number	Remark	D								
									Scale	Standard	Page	Pages					
51	Eh2	Heater	SHINI	-----	230V 4kW	1	----- 60HZ机型	(1)									
52	S10	Communication interface board RS-485 (double Dsub-9pin connector)	--	--	--	1	YE90048501200	(1)									
53		Shell RS485(SAL-700G-A-1910)	--	--	--	1	YR40048500000	(1)									
A																	
B																	
C																	
D																	
整机版本 Ver.D Notes: (1)Means it's not the material inside the control box. (2)Stands for optional.									Title SCD-230U/120H Electrical Components List 3			Drawing NO. SCD-230U/120H-PUMP-CE-230V-F-7		Scale CE		Page 7	
Designer Proofread by Checked by				Version Approved by Date		F		Date 20170821		Voltage 230V		Frequency 50HZ		Totality 7			
Modified by Modify date																	
SHINI 信易塑料机械股份有限公司 Shini Plastics Technologies, Inc.																	
1 2 3 4 5 6 7 8																	



整机版本 Ver.D

Mark	Before modification	Modified by	2	Date	20170620	Date	20170620	Checked by	3	Approved by	Version	G	Title	SCD-300U(450U)/200H Main Circuit Diagram 1		Drawing NO.	SCD-300U(450U)/200H-PUMP-CE-230V-G-1		Scale	Page 1	Pages	Totally 7	
	After modification	Modified by	2		20170620		3					20170620		3	Standard		CE	Voltage		230V		Frequency	50Hz

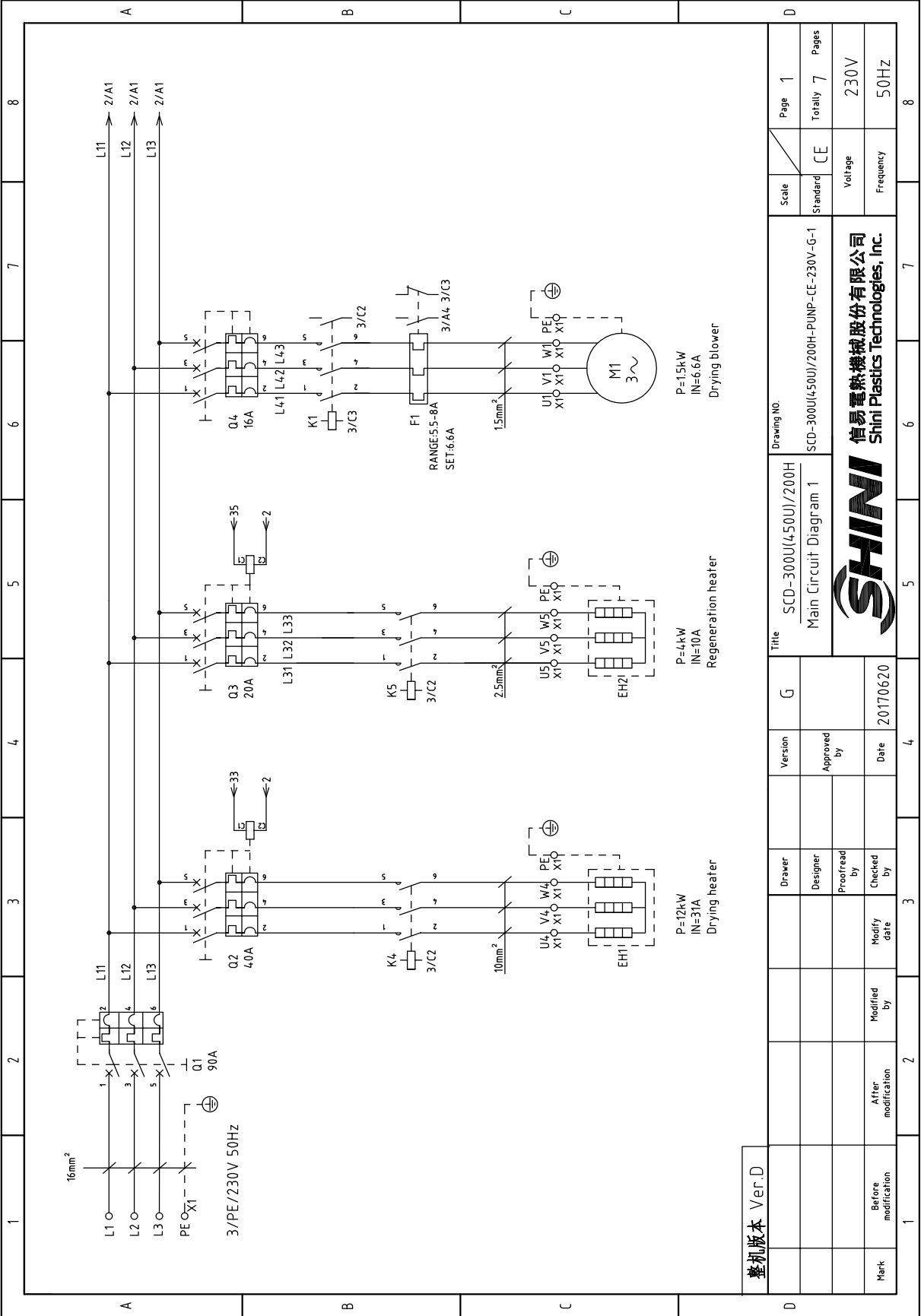


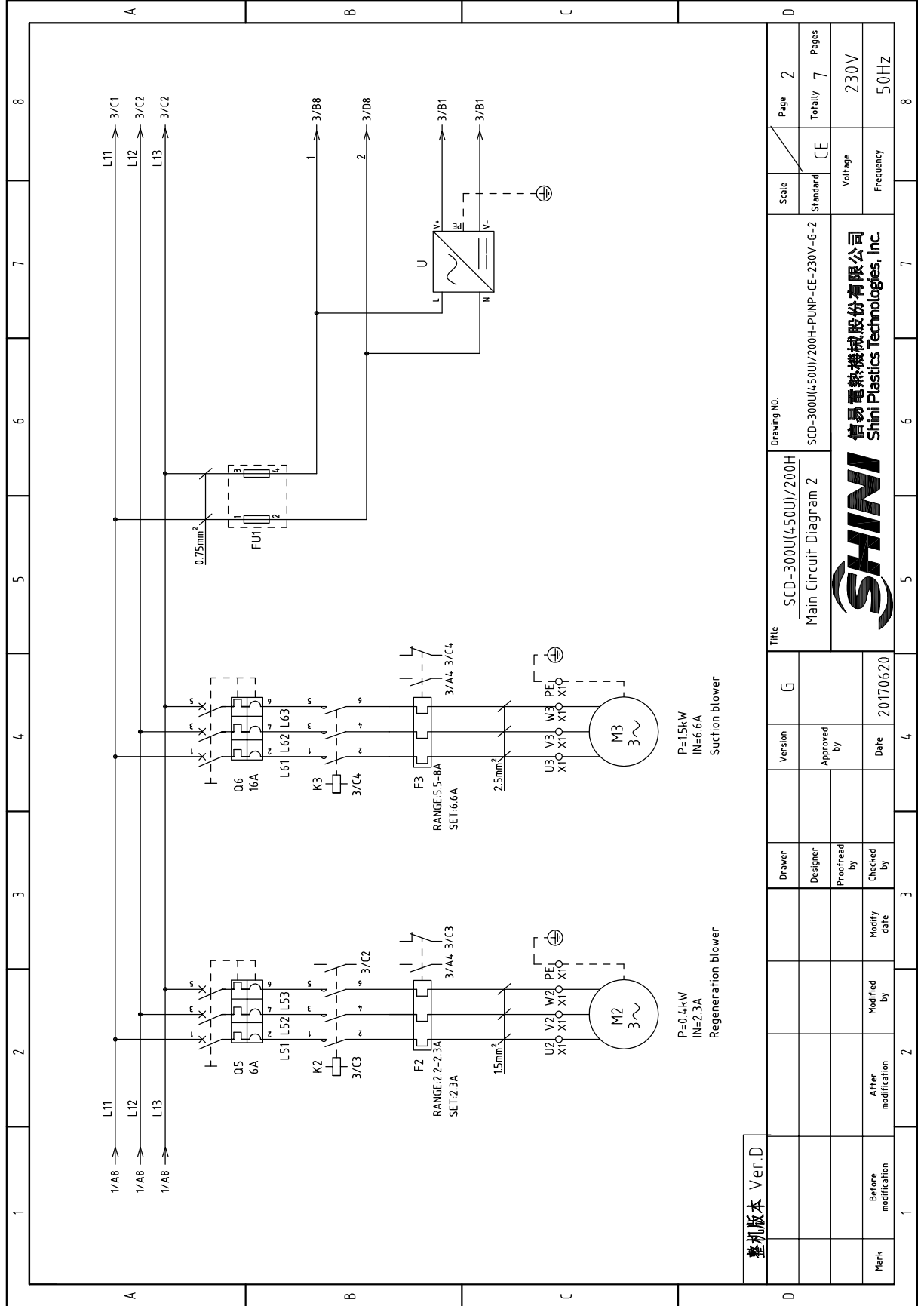
P=15kW
IN=6.6A
Drying blower

P=4kW
IN=10A
Regeneration heater

P=12kW
IN=31A
Drying heater

RANGE:5-8A
SET:6.6A



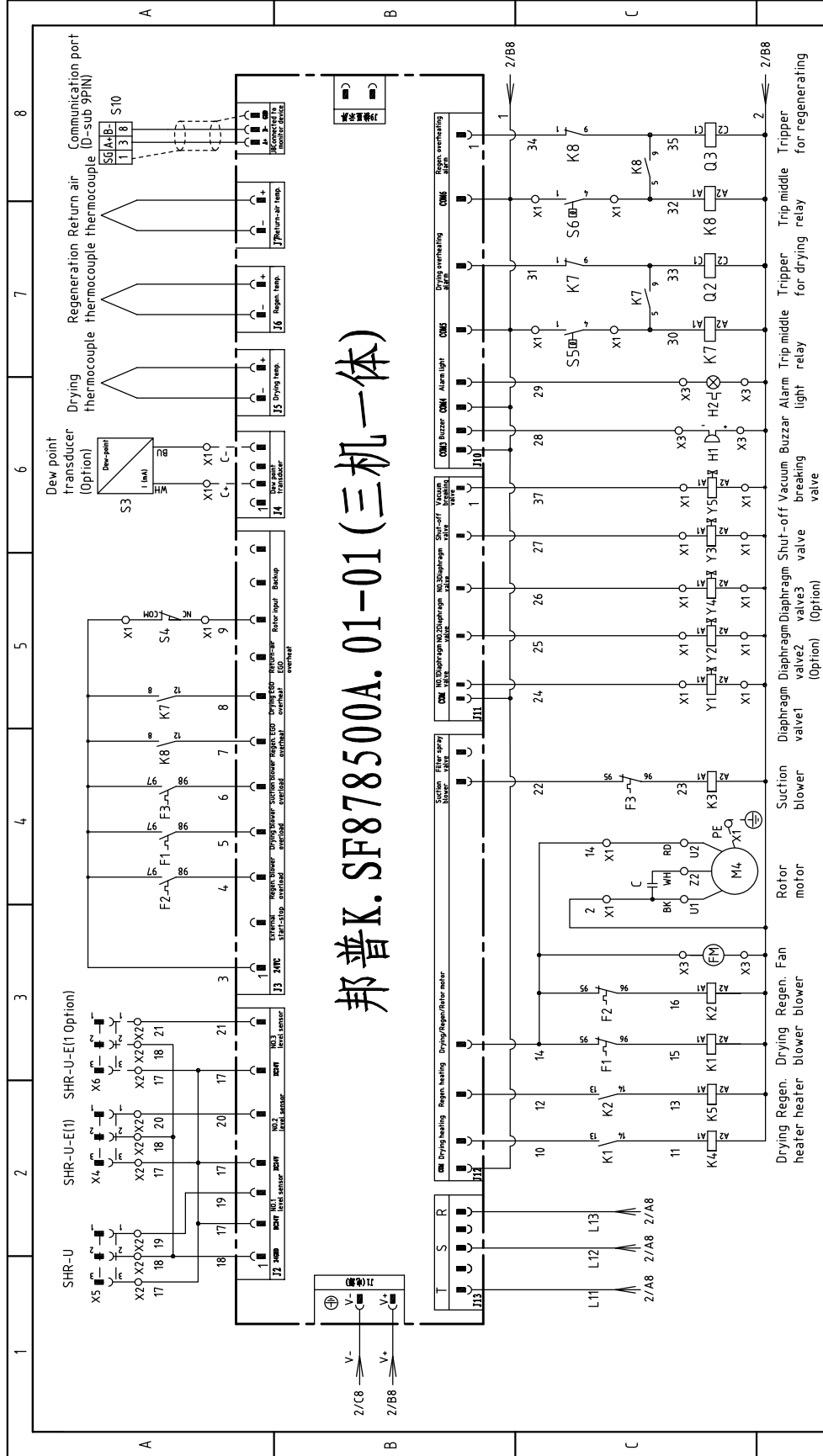


整机版本 Ver.D

Mark	Before modification	After modification	Modify date	1	2	3	4	5	6	7	8
Version	G		Approved by								
Designer			Checked by								
Proofread by			Date	20170620							
Title			Drawing NO. SCD-300U(4.50U)/200H Main Circuit Diagram 2 SCD-300U(4.50U)/200H-PUMP-CE-230V-G-2								
Scale	Standard		CE		Voltage		230V				
Page	2		Totally		7		Pages				
			Frequency		50HZ						



邦普K. SF878500A. 01-01 (三机一体)

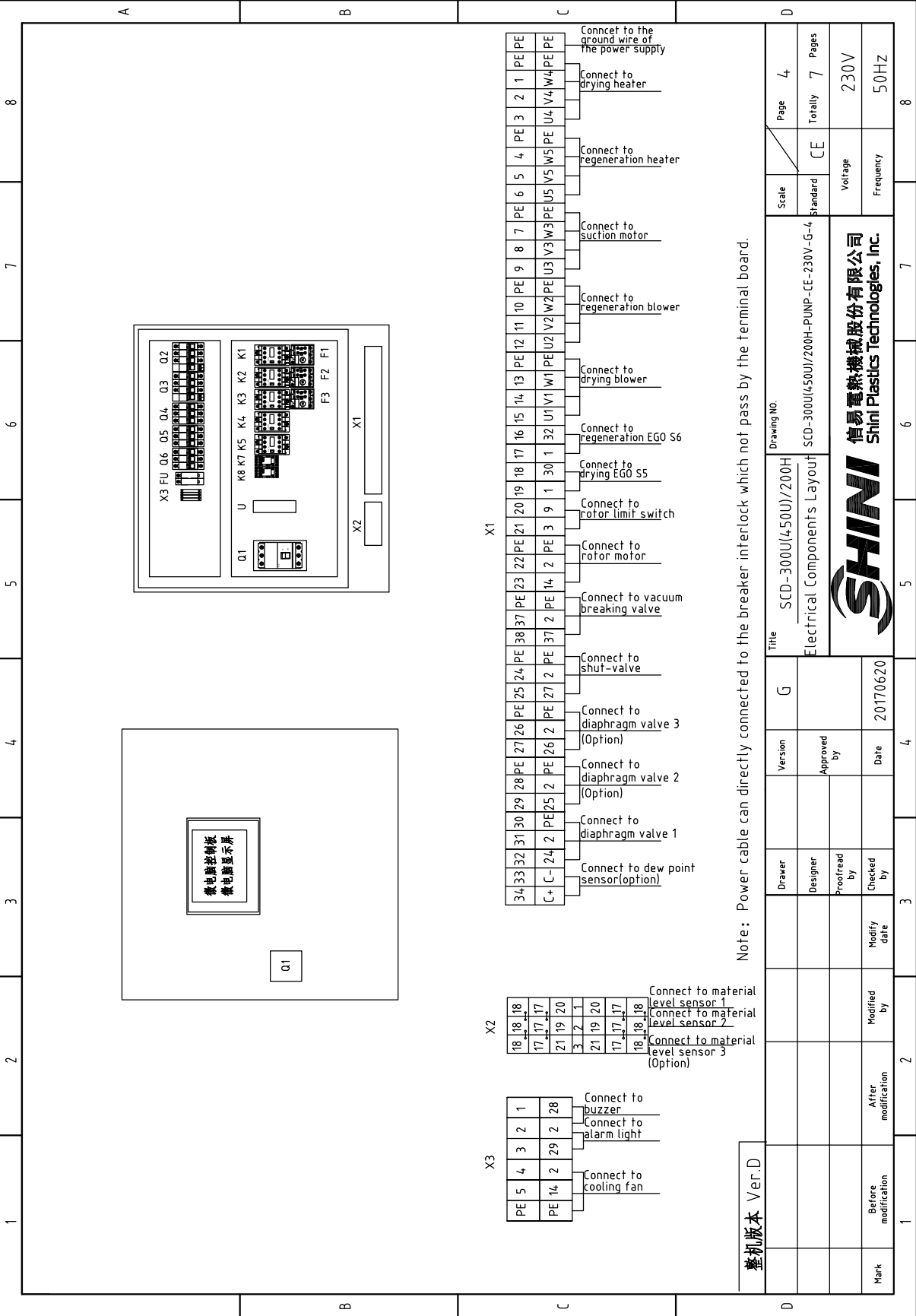


整机版本 Ver.D

Note: When M2 is not adopted, substitute No. 24 wire for No. 25 as well as No.26, and then connect it to diaphragm valve 1.

	Title	Drawing NO.	Scale	Page 3
	SCD-300U(450U)/200H	SCD-300U(450U)/200H-PUMP-CE-230V-G-3	Standard	Totally 7
	Control Circuit Diagram		CE	Pages
	Designer	Proofread by	Voltage	230V
	Modified by	Checked by	Frequency	50Hz
Mark	Before modification	After modification		





X3

PE 5	4	3	2	1
PE 14	2	29	2	28

Connect to cooling fan
Connect to alarm light
Connect to buzzer

X2

18	18	18
17	17	17
21	19	20
3	2	1
21	19	20
17	17	17
18	18	18

Connect to material level sensor 3 (Option)
Connect to material level sensor 2
Connect to material level sensor 1

X1

34	33	32	31	30	29	28	PE	27	26	PE	25	24	PE	23	22	PE	21	20	19	18	17	16	15	14	13	PE	12	11	10	9	8	7	PE	6	5	4	PE	3	2	1	PE	PE			
C+	C-	24	2	PE	25	2	PE	26	2	PE	27	2	PE	28	2	PE	29	2	PE	30	1	30	1	32	U1	V1	W1	PE	U2	V2	W2	PE	U3	V3	W3	PE	U5	V5	W5	PE	U4	V4	W4	PE	PE

Connect to dew point sensor(option)
Connect to diaphragm valve 1
Connect to diaphragm valve 2 (Option)
Connect to diaphragm valve 3 (Option)
Connect to shut-valve
Connect to vacuum breaking valve
Connect to rotor motor
Connect to rotor limit switch
Connect to drying EGO S5
Connect to regeneration EGO S6
Connect to drying blower
Connect to regeneration blower
Connect to suction motor
Connect to regeneration heater
Connect to drying heater
Connect to the ground wire of the power supply

Note: Power cable can directly connected to the breaker interlock which not pass by the terminal board.

整机版本 Ver.D

Title	SCD-300U(4.50U)/200H		Drawing NO.	Scale	Page	4
	Electrical Components Layout					
Version	G		Approved by	Voltage		230V
Designer			Checked by	Frequency		50HZ
Proofread by			Date			
Modify date			20170620			
Mark	Before modification	After modification	Modified by			



1	2		3	4	5	6	7	8
NO.	Symbol	Name	Manufacturer	Type	Specification	Number	Material number	Remark
1	Q1	Breaker interlock	ABB	A1A125TMF90	90A	1	YE41109200000	
2	Q2	Circuit-breaker	TECO	BM-63C 3P	40A	1	YE40304003000	
3	Q3	Circuit-breaker	TECO	BM-63C 3P	20A	1	YE40302003000	A
4		Excitation release	TECO	MX	220V 50/60Hz	2	YE40023560000	
5	Q4 Q6	Circuit-breaker	TECO	BM-63C 3P	16A	2	YE40301603000	
6	Q5	Circuit-breaker	TECO	BM-63C 3P	6A	1	YE40300603000	
7	K1 K2 K3	Contacto	SIEMENS	3RT6016-1AN21	220V 50/60Hz	3	YE00601621000	
8	K4	Contacto	SIEMENS	3RT6028-1AN20	220V 50/60Hz	1	YE00602822000	
9	K5	Contacto	SIEMENS	3RT6026-1AN20	220V 50/60Hz	1	YE00602622000	
10	K7 K8	Middle relay	WEIDMULLER	DRM270730LT	220V 50/60Hz	2	YE03270700000	
11	F1 F3	Overload relay	SIEMENS	3RU6116-1HB0	5.5-8A	2	YE01160550000	B
12	F2	Overload relay	SIEMENS	3RU6116-1DB0	2.2-3.2A	1	YE01160220000	
13	PCB	Microprocessor control board-display screen	PUMP	K.SF878500A.01-01	-----	1	YE80878500000	
14	U	DC power	MEAN WELL	NES-35-24	OUT=DC24V 1.5A	1	YE71352400100	
15	FU1	Fuse base	CHINT	RT18-32	2P	1	YE41032200000	
16		Fuse	CHINT	10x38 500V	2A	2	YE46002000100	
17	S1	Reed switch	FOTEK	FC-12V	24VDC	1	----	(1)
18	S2	Photoelectric switch	FOTEK	T18-3MNB-PE	24VDC	1	----	(1)
19	S3	Dew-point transducer	CS	CS 217-OEM	POWER=24VDC OUT=4-20mA	1	YE90021700100	(1)(2)
20	S4	Micro switch	TEND	----	250V 5(4)A	1	----	(1)
21	S5 S6	Temperature protector	EGO	WR-A-50-300-2500-3	250V 5(4)A	2	----	(1)
22	S7 S8 S9	Thermocouple	SHINI	ST-K	K	3	----	(1)
23	Y1 Y2	Solenoid valve	----	MSFW-230-50/60	230V 50/60Hz	2	----	(1)
24	H1	Buzzer	SHINI	PK-35A	220V 50/60Hz	1	YE84003500200	(1)
25	H2	Alarm indicator	SHINI	LED-3051	220V 50/60Hz	1	YE83305100200	(1)
整机版本 Ver.D Notes: (1)Means it's not the material inside the control box. (2)Stands for optional.								
Title				Drawing NO.		Scale		Page 5
SCD-3000(4.50U)/200H				SCD-3000(4.50U)/200H-PUMP-CE-230V-G-5		Standard		CE
Electrical Components List 1						Voltage		230V
						Frequency		50Hz
SHINI				信易塑料机械股份有限公司		Shini Plastics Technologies, Inc.		
1	2	3	4	5	6	7	8	
Mark	Before modification	After modification	Modified by	Modify date	Checked by	Date	20170620	
Drawer	Designer	Proofread by	Approved by	Version	G	Title	SCD-3000(4.50U)/200H	Drawing NO.

1		2		3		4		5		6		7		8	
NO.	Symbol	Name	Manufacturer	Type	Specification	Number	Material number	Remark							
26	X1	Terminal board	-----	16mm ² PE	-	1	YE60001603500								
27				10mm ²	-	3	YE60001003200								
28				10mm ² PE	-	1	YE60001003500								
29				4mm ²	-	12	YE60000403200								
30				4mm ² PE	-	4	YE60000403500								
31				2.5mm ²	-	14	YE60002503200								
32				2.5mm ²	32A 690V	6	YE60002503200	(2)							
33				2.5mm ² PE	-	4	YE60002503400								
34				2.5mm ² PE	-	2	YE60002503400	(2)							
35	X2	Terminal board	-----	Spring terminals SK2.5-TL	10A 250V	3	YE60002503600								
36				FBSTB 10-ZDIK RD	10A 250V	3	YE60001000200								
37				SK-2.5TL桥接件	10A 250V	3	YE60001003600								
38	X3	Terminal board	-----	2.5mm ²	-	5	YE60002503200								
39				2.5mm ² PE	-	1	YE60002503400								
40	X4	Heavy duty connector	SIBAS	HDC-HA-004.1	4P 10A	3	YE68041000100	(1)							
41	X5	Heavy duty connector	SIBAS	HDC-HA-004.1	4P 10A	3	YE68041000100	(1)							
42	X6	Heavy duty connector	SIBAS	HDC-HA-004.1	4P 10A	3	YE68041000100	(1)							
43	FM	Fan	SUNON	DP-200A	230VAC	1	YM60121200400	(1)							
44	M1	Blower	SHINI	-----	230V 15kW	1	-----	(1)							
45	M2	Blower	SHINI	-----	230V 0.4kW	1	-----	(1)							
46	M3	Blower	SHINI	-----	230V 15kW	1	-----	(1)							
47	M4	Motor	----	-----	230V 0.015kW	1	-----	(1)							
48	EH1	Heater	SHINI	-----	230V 12kW	1	-----	(1)							
49	EH2	Heater	SHINI	-----	230V 4kW	1	-----	(1)							
整机版本 Ver.D Notes: (1)Means it's not the material inside the control box. (2)Stands for optional.															
				Title SCD-3000(4.50U)/200H Electrical Components List 2		Drawing NO. SCD-3000(4.50U)/200H-PUMP-CE-230V-G-6		Scale Standard CE		Page 6 Totality 7		Voltage 230V		Frequency 50Hz	
Mark		Before modification		After modification		Modified by		Modify date		Checked by		Date		20170620	
				Designer		Proofread by		Approved by		Version		G		20170620	
				Drawer											



1	2		3	4	5	6	7	8
NO.	Symbol	Name	Manufacturer	Type	Specification	Number	Material number	Remark
50	S10	Communication interface board RS-485 (double Dsub-9pin connection)	--	--	--	1	YE90048501Z00	(1)
51		Shell RS485(SAL-700G-A-19)0	--	--	--	1	YR4,0048500000	(1)
A								
B								
C								
D								
整机版本 Ver.D Notes: (1)Means it's not the material inside the control box. (2)Stands for optional.								
			Version	G	Title		Scale	
			Designer	Approved by	SCD-3000(4.50U)/200H Electrical Components List 3		Standard	
			Proofread by	Date	SCD-3000(4.50U)/200H-PUMP-CE-230V-G-7		Page 7	
			Checked by	20170620	CE		Totally 7 Pages	
			Modified by		Voltage		230V	
			Modify date		Frequency		50HZ	
Mark								
1	2		3	4	5	6	7	8

