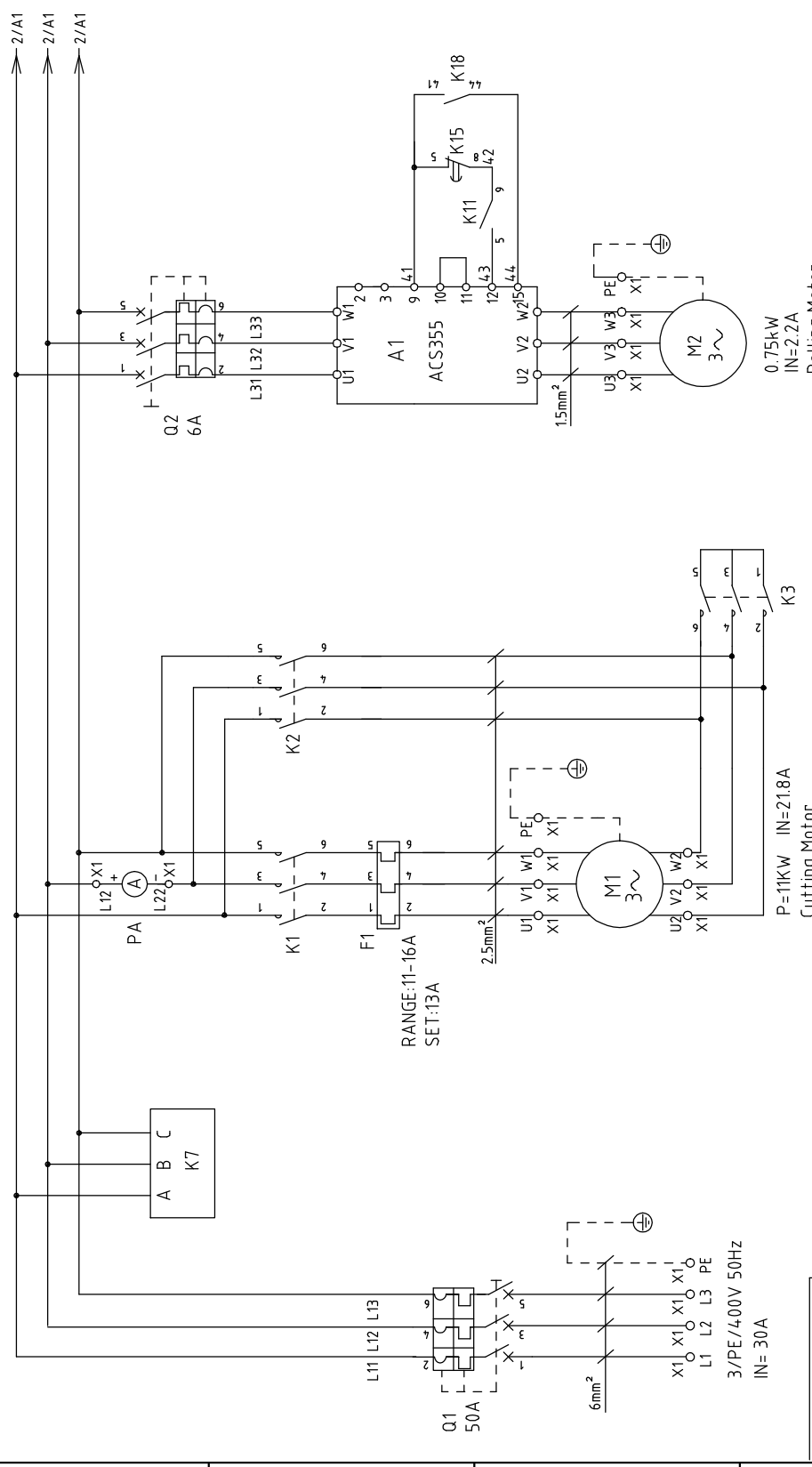


1 2 3 4 5 6 7 8



机型版本	Ver.D
Mark	Before modification
Mark	After modification
Modified by	
Modify date	
Checked by	20210120
Approved by	
Version	C

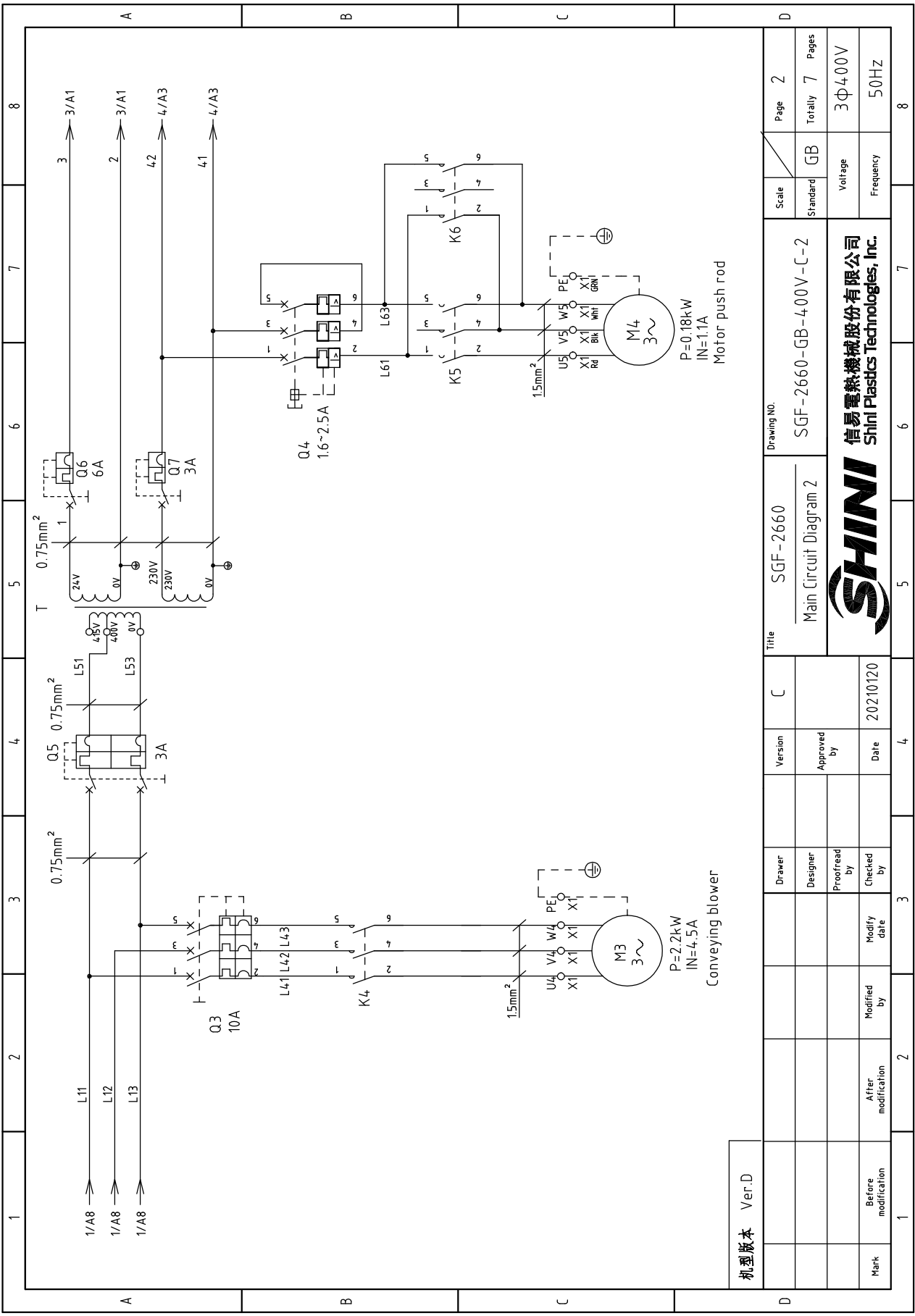
Drawing NO. SGF-2660
 Title Main Circuit Diagram 1



Scale	Page 1
Standard	Totally 7
Standard	GB
Standard	Pages
Standard	3Φ400V
Standard	50Hz

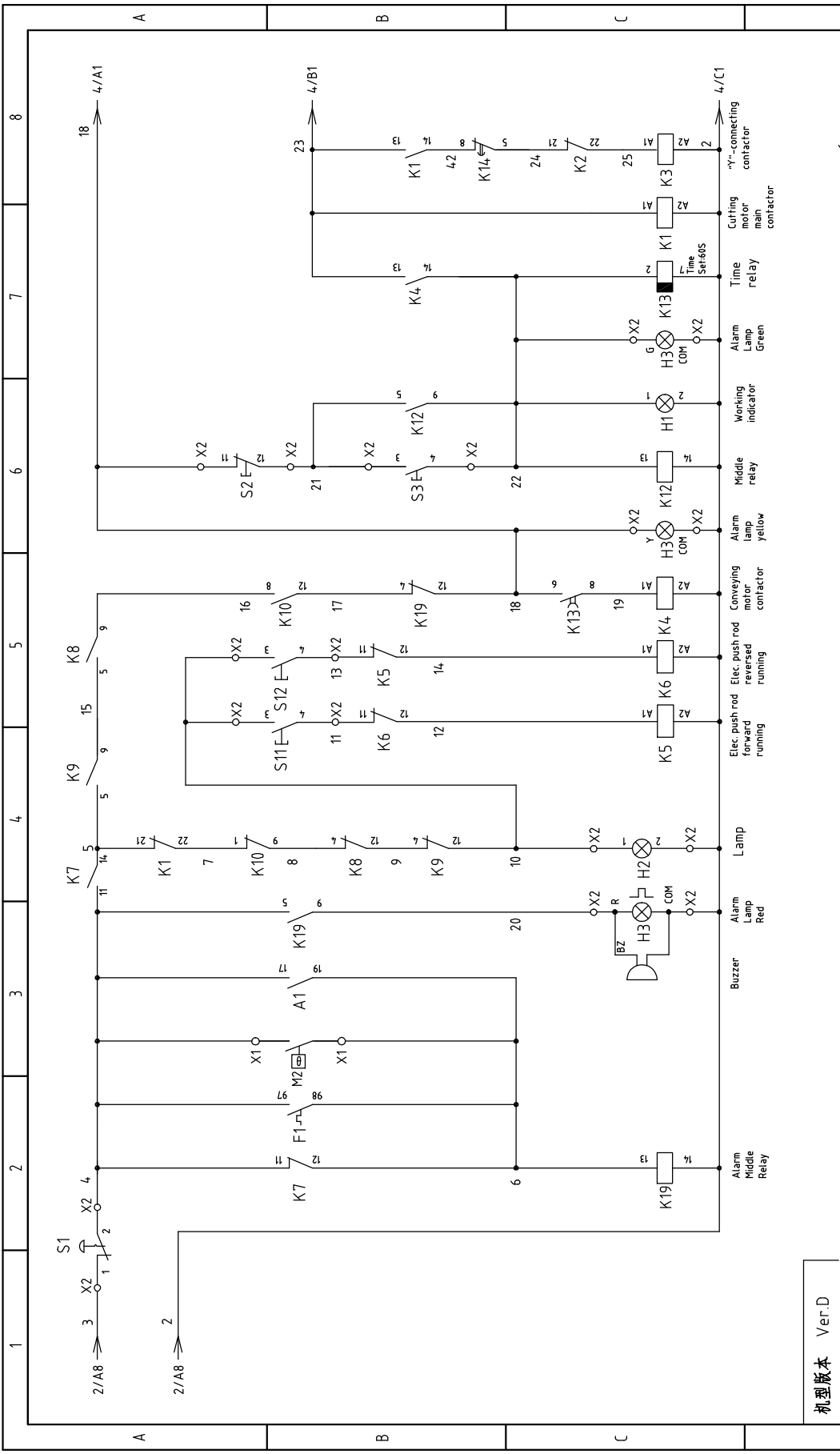
SGF-2660-GB-400V-C-1

8 7 6 5 4 3 2 1

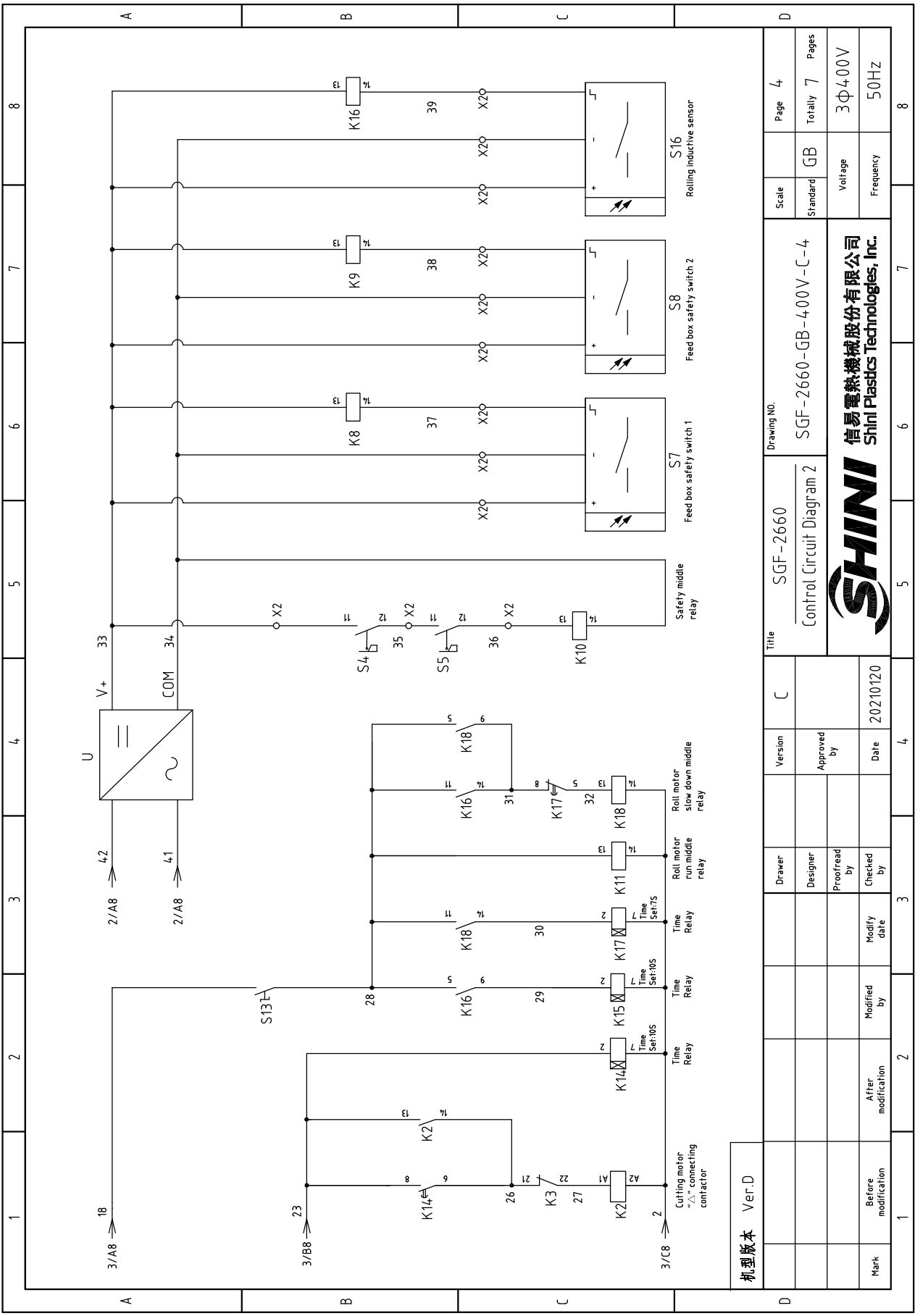


机型版本 Ver.D

Mark	Before modification	Modified by	Modify date	Checked by	Date	Version	C	Title	SGF-2660	Drawing NO.	Standard	Scale	Page
	After modification	Modified by	Modify date									GB	Totally
<p>SGF-2660-GB-400V-C-2</p> <p>SHINI 信易电热机械股份有限公司 Shini Plastics Technologies, Inc.</p>												Standard	Totally
												Voltage	Pages
												Frequency	8

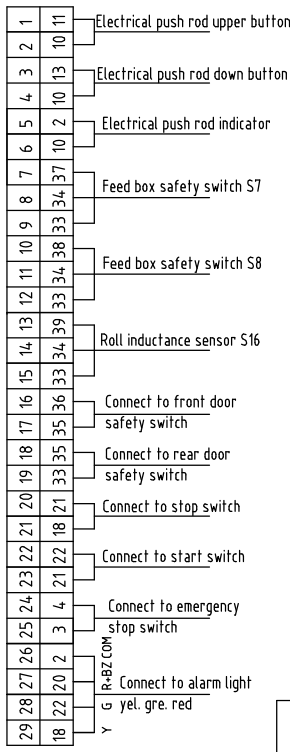
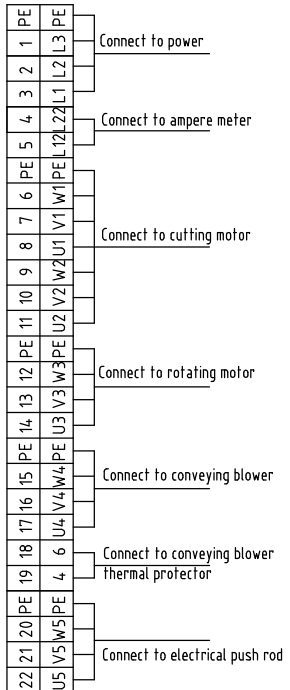
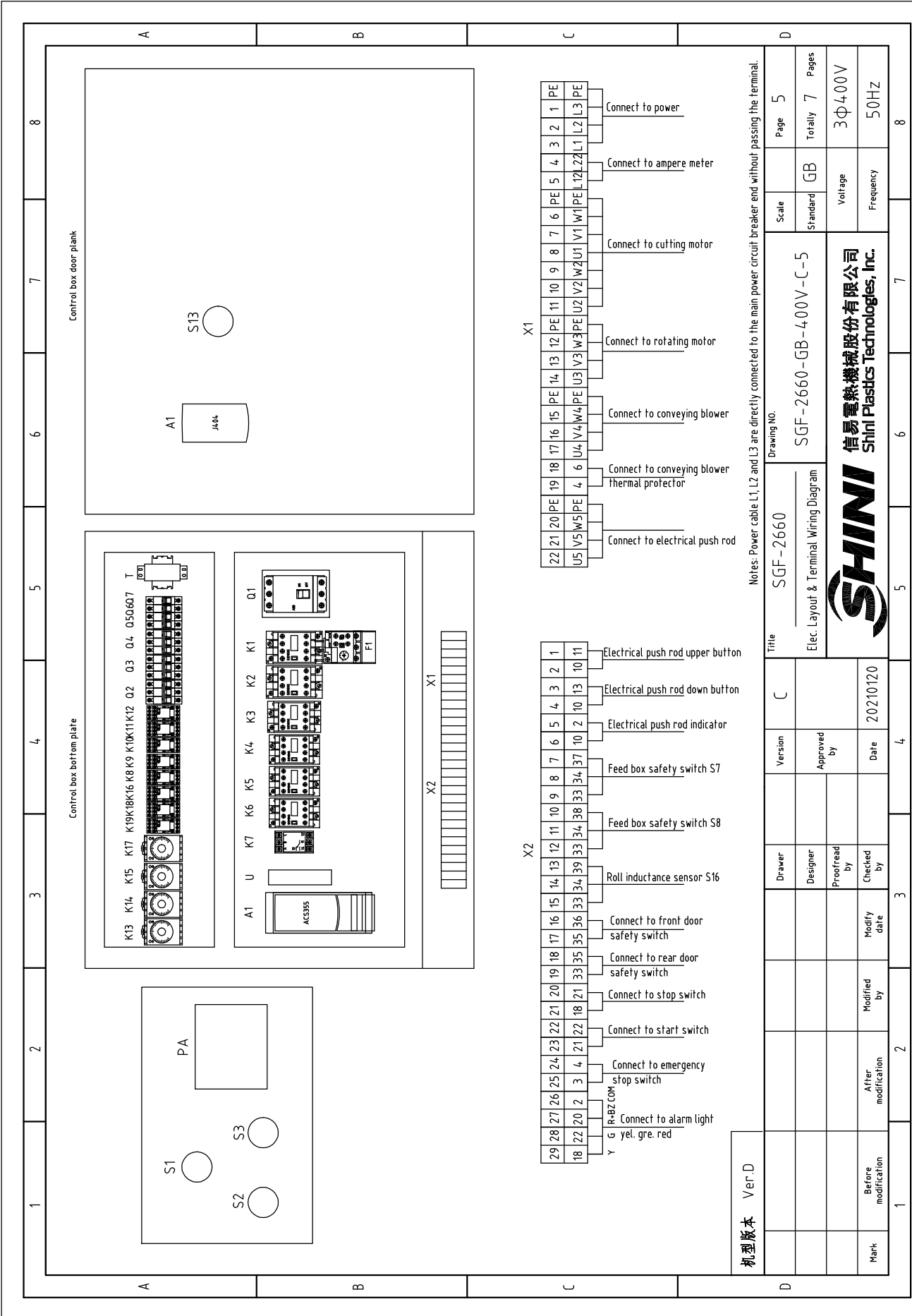


机型版本	Ver.D		Scale	Page	3
				Standard	GB
Mark	Before modification	Modified by	Frequency	3Φ400V	
	After modification	Modify date		50Hz	
Title			Drawing NO.		
Control Circuit Diagram 1			SGF-2660-GB-400V-C-3		
SHINI			信易电热机械股份有限公司 Shini Plastics Technologies, Inc.		
Drawer	Designer	Proofread by	Version	C	5
Checked by	Approved by	Date	4	4	6
Modified by	20210120	3	2	2	7
1	2	3	4	5	8



机型版本	Ver.D
Mark	Before modification
Mark	After modification
Modified by	
Modify date	
Checked by	
Proofread by	
Designer	
Drawer	
Approved by	
Date	20210120

Title		SGF-2660		Drawing NO.		Scale		Page	
Control Circuit Diagram 2		SGF-2660-GB-400V-C-4		Standard		GB		Totally 7	
SHINI		信易电热机械股份有限公司		Voltage		3Φ400V		Frequency	
				Frequency		50Hz		8	



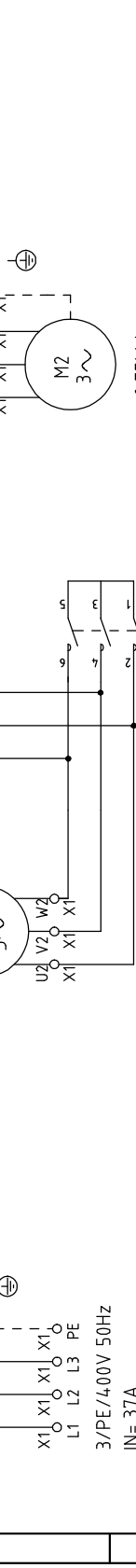
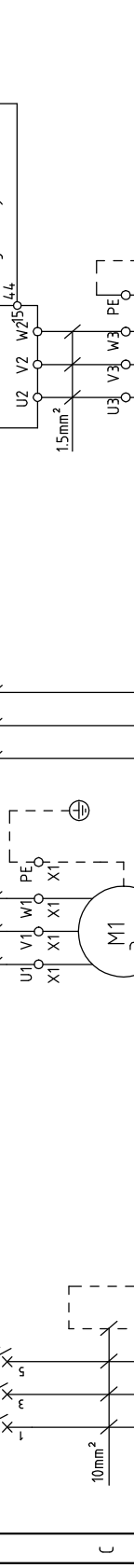
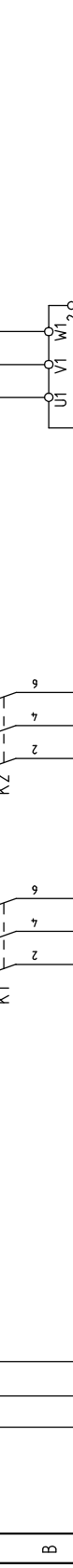
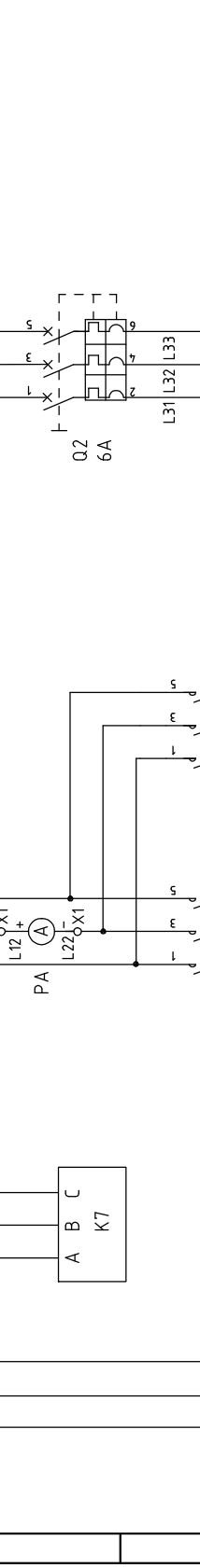
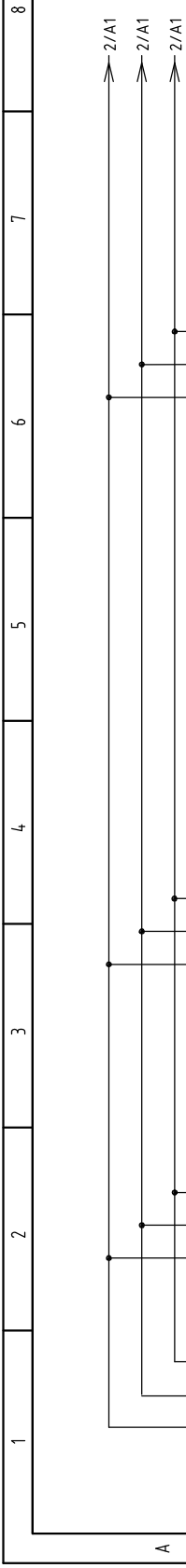
初型版本	Ver.D	Title		Scale		Page	
		SGF-2660		Standard		5	
		Elec. Layout & Terminal Wiring Diagram		GB		7	
		Notes: Power cable L1, L2 and L3 are directly connected to the main power circuit breaker end without passing the terminal.		Voltage		3φ400V	
		Drawing NO.		Frequency		50HZ	
		SGF-2660-GB-400V-C-5		Totally		8	
		SHINI		Voltage		3φ400V	
		信易塑料机械股份有限公司 Shini Plastics Technologies, Inc.		Frequency		50HZ	
		Date		Version		Page	
		20210120		C		5	
		Approved by		Version		Page	
				4		5	
		Checked by		Version		Page	
				3		5	
		Modified by		Version		Page	
				2		5	
		After modification		Version		Page	
				1		5	

1	2	3	4	5	6	7	8	
NO.	Symbol	Name	Manufacturer	Type	Specification	Number	Material number	Remark
1	Q1	口是鎖斷器/ Gate circuit Breakers	ABB	A1A125TMF60	60A	1	YE41106200000	New
2	Q1	Door interlock circuit breaker	ABB	A1A125TMF50	50A	1	YE41105200000	Cancel
3	Q2	Circuit breaker	TECO	BM-63C	6A	1	YE40300603000	
4	Q3	Circuit breaker	TECO	BM-63C	10A	1	YE40301003000	
5	Q4	Thermomagnetic circuit breaker	CHNT	NS2-25	1.6-2.5A	1	YE10162500100	
6	K1 K2	Contact	SIEMENS	3RT6027-1AC20	32A 24VAC 50/60Hz	2	YE00602702600	
7	K3	Contact	SIEMENS	3RT6026-1AC20	25A 24VAC 50/60Hz	1	YE00602602600	
8	K4	Contact	SIEMENS	3RT6015-1AB01	7A 24VAC 50/60Hz	1	YE00601502500	
9	K5 K6	Contact	SIEMENS	3RT6015-1AB02	7A 24VAC 50/60Hz	2	YE00601502600	
10	K7	Phase sequence protector	CHAOSHI	ABJ-10W	400V 50/60Hz	1	YE03103800000	
11	K8 K9 K10	Middle relay	WEIDMULLER	DRM270024LT	24VDC	3	YE03272400000	
12	K11 K12	Middle relay	Honeywell	GR-2C-AC24V	24VAC	2	YE03022400300	
13	K13	Timer relay	YUYUN	TRF-N/3M	3M 24VAC	1	YE86032400000	
14	K14 K15	Timer relay	YUYUN	TH3M-NAB	3S-60M 24VAC	2	YE86123000000	
15	K16	Middle relay	WEIDMULLER	DRM270024LT	24VDC	1	YE03272400000	
16	K17	Timer relay	YUYUN	TH3M-NAB	3S-60M 24VAC	1	YE86123000000	
17	K18	Middle relay	Honeywell	GR-4C-AC24V	24VAC	1	YE03042400300	
18	F1	Thermal overload relay	SIEMENS	3RU6126-4AB0	11-16A	1	YE01260110000	
19	K19	Middle relay	Honeywell	GR-2C-AC24V	24VAC	1	YE03022400300	
20	Q5	Circuit breakers	TECO	BM-63C/2003S 2P	3A	1	YE40200203000	
21	Q6	Circuit breakers	TECO	BM-63C/1006S 1P	6A	1	YE40100600100	
22	Q7	Circuit breakers	TECO	BM-63C/1003S 1P	3A	1	YE40100203000	
23	A1	Inverter	ABB	ACS355-03E-02A4-4	400V 0.75kW	1	YE75350300000	
24		Controller pad	ABB	J404	---	1	YE81040400000	
25	T	Mutual transformer	---	400V/415V OUT=24V/230V	120VA/2000mA	1	YE700400007700	
机型版本 Ver.D Notes:(1)Materials not in the control box;								
			Drawer	Version	Title		Drawing NO.	
			Designer		SGF-2660		SGF-2660-GB-400V-C-6	
			Proofread by	Approved by	Elec. Parts List 1		Standard GB	
			Checked by	Date	SHINI		Voltage	
			Modified by	Modify date	SHINI		Frequency	
			After modification		信易電熱機械股份有限公司 Shini Plastics Technologies, Inc.		3Φ400V	
			Before modification		SHINI		50HZ	
					SHINI		Totally 7 Pages	
					SHINI		Page 6	
					SHINI		Page 7	
					SHINI		Page 8	

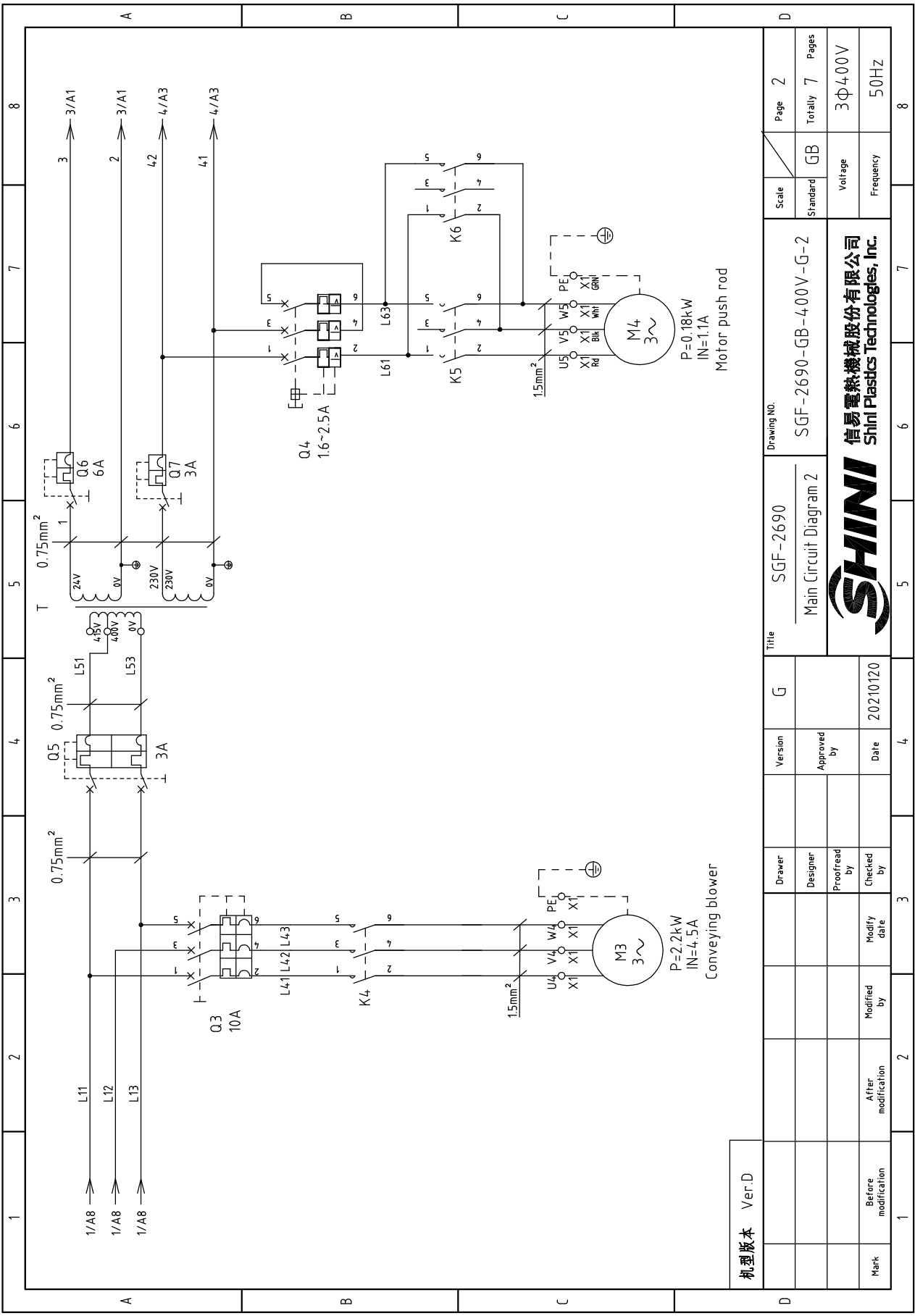
1	2	3	4	5	6	7	8	
NO.	Symbol	Name	Manufacturer	Type	Specification	Number	Material number	Remark
26	S1	Emergency stop button	SCHNEIDER	XB2BS542C	400VAC	1	YE11254200000	(1)
27	S2	Stop button	SCHNEIDER	XB2BA22C	400VAC	1	YE11222000000	(1)
28	S11 S12	Bottom switch	ABB	CP1-11G-10	400VAC	2	YE11241100000	(1)
29	S3,H1	Start button switch (with light)	SCHNEIDER	XB2BW33B1C	24VAC	1	YE11233100000	(1)
30	S4,S5	Safety switch	SCHMERSRC	AZ15ZVRK-14.76-1+B1	AC-15	2	YE16147600100	(1)
31	S7 S8	Inductive sensor	CONTRINEX	DW-AD-621-M12	24VDC NPN N.O	2	YE90621120000	(1)
32	S16	Sensor	DELIN	DL-12	24VDC NPN	1	YE15122400000	(1)
33	H2	Indicator	ABB	CL2-502G	24VAC	1	YE83050200100	(1)
34	H3	3-color alarm lamp	SHINI	Red. gre. yel.+buzzer	24VAC	1	BL90002401520	(1)
35	S13	Selective switches	ABB	C2SS2-10B-10	Ui=300V Ith=5A	1	YE12210100000	(1)
36	U	DC power	MEAN WELL	LRS-35-24	OUT=24VDC 1.5A	1	YE71352400100	(1)
37	PA	Ampere meter	SFIM	DH-670	50A	1	YE25675000000	(1)
38	X1	Terminal board	Honeywell	GK6	6mm ²	5	YE60000603200	
39		Terminal board	Honeywell	GK6PE	6mm ² PE	1	YE60000603500	
40		Terminal board	Honeywell	SK2.5	2.5mm ²	17	YE60002503200	
41		Terminal board	Honeywell	GK2.5PE	2.5mm ² PE	4	YE60002503400	
42	X2	Terminal board	Honeywell	SK2.5	2.5mm ²	29	YE60002503200	
43	M1	Motor	SIEMENS	11kW	400V 50Hz	1	-----	(1)
44	M2	Motor	TRANSTECNO	0.75kW	400V 50Hz	1	-----	(1)
45	M3	Motor	SHINI	2.2kW	400V 50Hz	1	-----	(1)
46	M4	Elect. push rod motor (with limit)	SKF	CAHB-31-P3N-204.495	230V 50Hz	1	-----	(1)
47		Terminal fittings	Honeywell	-----	-----	4	YE60000003900	
机型版本 Ver.D								
Notes:(1)Materials not in the control box;								
Title			SGF-2660		Drawing NO.		SGF-2660-GB-400V-C-7	
Version			C		Elec. Parts List 2		Scale	
Designer			Approved by		Standard		GB	
Proofread by			Date		Voltage		Page	
Checked by			20210120		Frequency		7	
Before modification			Modified by		3Φ400V		Totally	
After modification			Modify date		50Hz		7	
Mark								
1	2	3	4	5	6	7	8	



信易电热机械股份有限公司
Shini Plastics Technologies, Inc.



机 型 版 本	Ver.D										
Mark	Before modification	Modified by	Modify date	Checked by	Date	Approved by	Version	Title		Drawing NO.	
					20210120		G	SGF-2690		SGF-2690-GB-400V-G-1	
								Main Circuit Diagram 1		Standard GB	
								Voltage		Page 1	
								Frequency		Totally 7 Pages	
								3Φ400V		Voltage	
								50Hz		Frequency	
								SHINI		Page 8	
								信易电热机械股份有限公司		Page 7	
								Shini Plastics Technologies, Inc.		Page 6	
								SGF-2690		Page 5	
								Main Circuit Diagram 1		Page 4	
								SGF-2690		Page 3	
								Main Circuit Diagram 1		Page 2	
								SGF-2690		Page 1	



机型版本 Ver.D

1	2	3	4	5	6	7	8
Mark	Before modification	Modified by	Modify date	Checked by	Date	Approved by	Version
					20210120		G
Title				Drawing NO.			
SGF-2690				SGF-2690-GB-4.00V-G-2			
Main Circuit Diagram 2				Scale			
				Standard			
				GB			
				Page 2			
				Totally 7			
				Pages			
				Voltage			
				3Φ400V			
				Frequency			
				50Hz			
				8			



SGF-2690-GB-4.00V-G-2

信易电热机械股份有限公司
Shini Plastics Technologies, Inc.



SGF-2690

Main Circuit Diagram 2

Scale

Standard

GB

Page 2

Totally 7

Pages

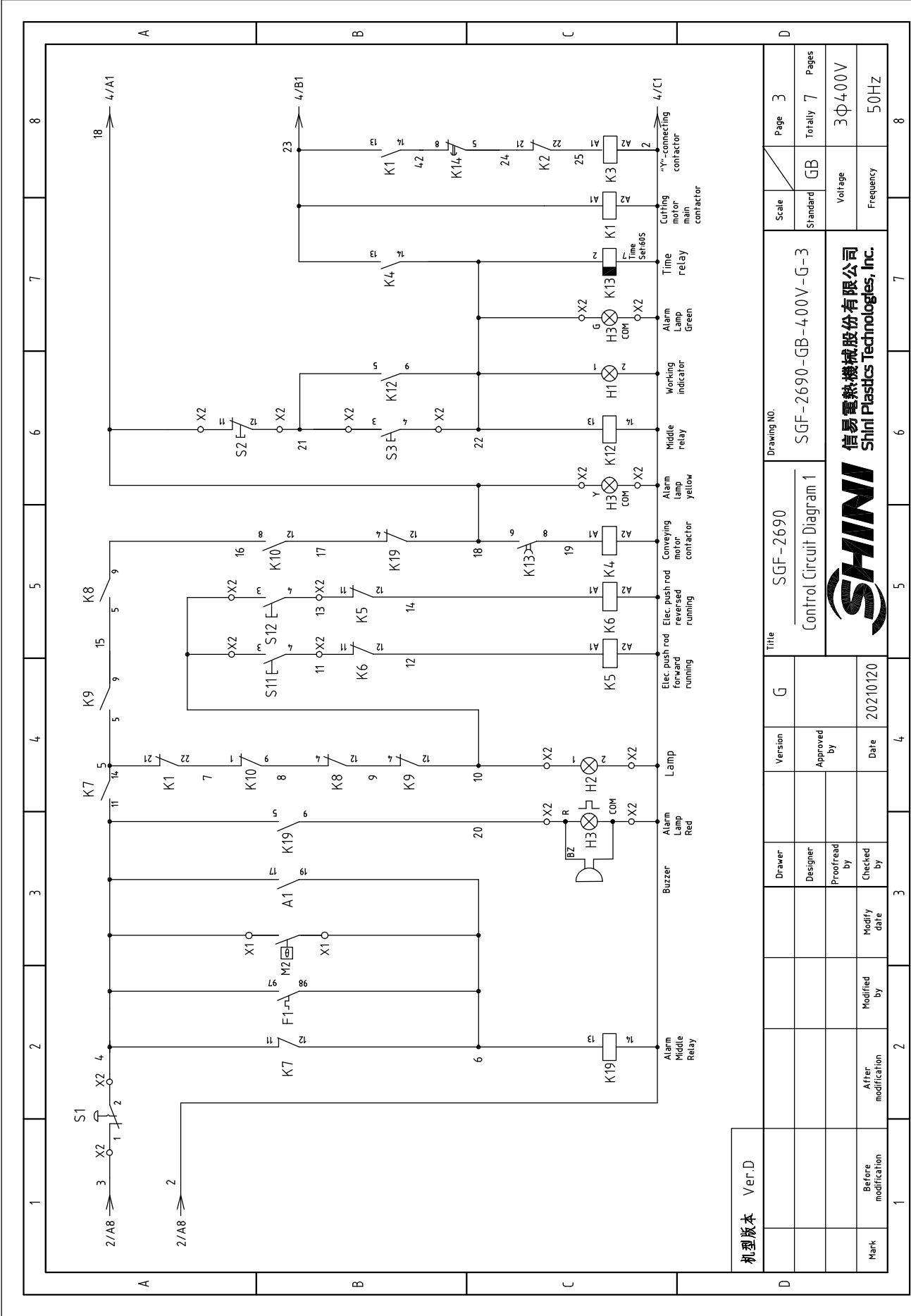
Voltage

3Φ400V

Frequency

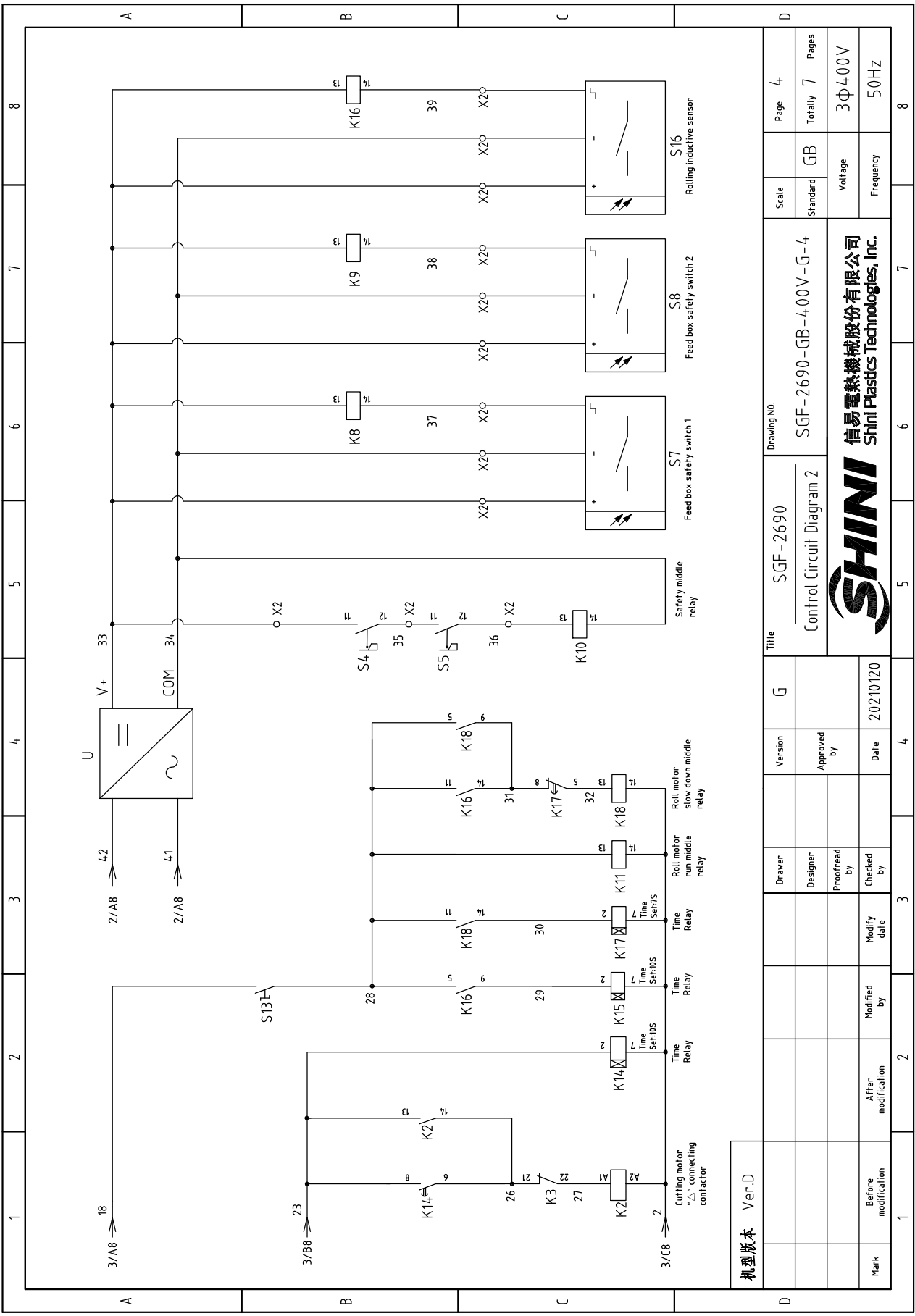
50Hz

8



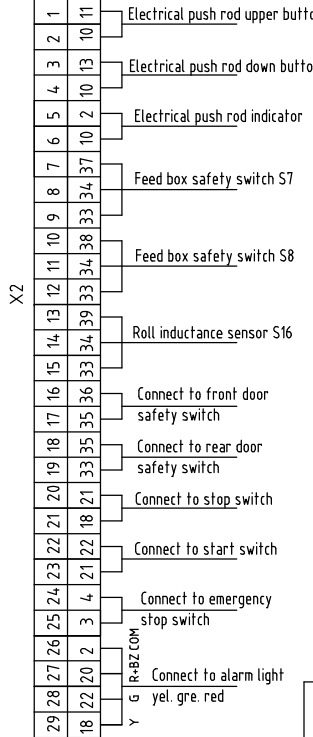
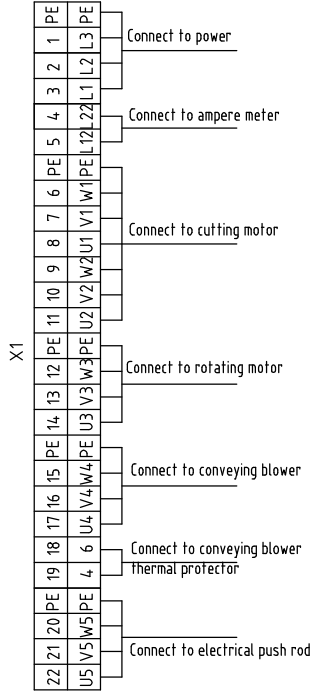
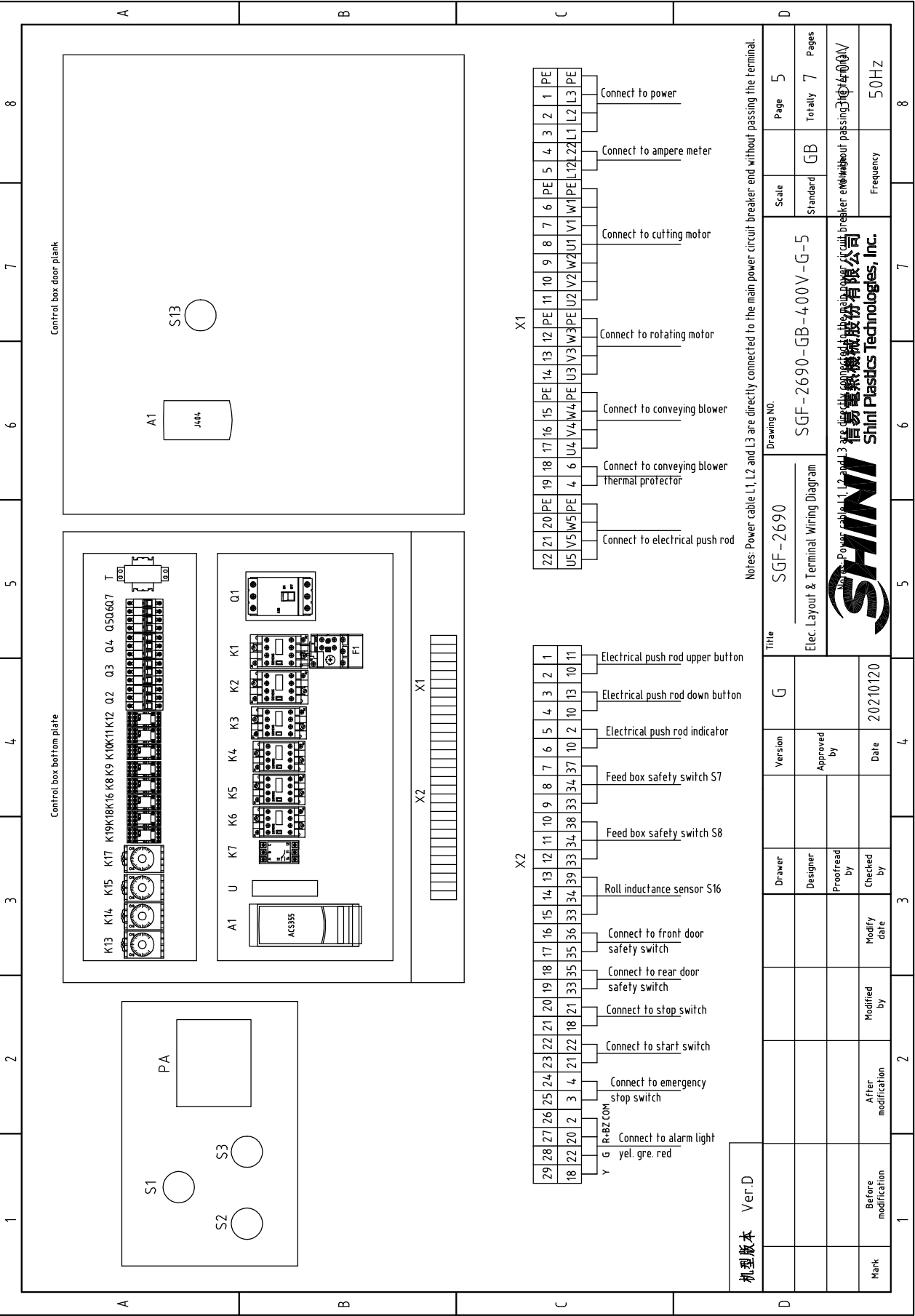
机版本	Ver.D
Mark	Before modification
	After modification
	Modified by
	Modify date
	Checked by
	Proofread by
	Designer
	Drawer
	Version
	G

Title		SGF-2690		Drawing NO.		SGF-2690-GB-400V-G-3	
Control Circuit Diagram 1							
SHINI		信易电热机械股份有限公司		Shini Plastics Technologies, Inc.			
Page	3	Scale	Standard	Totally	7	Pages	7
Mark	Before modification	After modification	Modified by	Modify date	Checked by	Proofread by	Designer
Version	G	Drawer					
Approved by							
Date	20210120						
Frequency	50Hz	Voltage	3Φ400V				
Standard	GB						



机型版本 Ver.D

Mark	Before modification	Modified by	20210120	Date	20210120	Approved by		Version	G	Title	SGF-2690 Control Circuit Diagram 2	Standard	GB	Scale	4	Page	4
Proofread by		Checked by		Date		Designer		Drawer		SGF-2690-GB-400V-G-4			Standard	GB	Scale	Totally	7
Modified by		Modify date		Date		Proofread by		Version		SHINI 信易电热机械股份有限公司 Shini Plastics Technologies, Inc.			Standard	GB	Scale	Totally	7
Before modification		After modification		Date		Checked by		Version		SHINI 信易电热机械股份有限公司 Shini Plastics Technologies, Inc.			Standard	GB	Scale	Totally	7
1	2	3	4	5	6	7	8										



机型版本	Ver.D	Title		SGF-2690	Drawing NO.		SGF-2690-GB-400V-G-5	Scale	Standard	GB	Totally	7	Pages	5
Mark	Before modification	Modified by	20210120	Date	20210120	Checked by		Proofread by		Designer		Drawer		
Mark	After modification	Modified by		Date		Checked by		Proofread by		Approved by		Version	G	
Notes:	Power cable L1, L2 and L3 are directly connected to the main power circuit breaker end without passing the terminal.													
Notes:	Power cable L1, L2 and L3 are directly connected to the main power circuit breaker end without passing the terminal.													
Frequency	50HZ													

信易慧新机械股份有限公司
Shini Plastics Technologies, Inc.

1	2	3	4	5	6	7	8	
NO.	Symbol	Name	Manufacturer	Type	Specification	Number	Material number	Remark
1	Q1	门进断路器/Gate-circuit Breakers	ABB	A1A125TMF90	90A	1	YE41109200000	Cancel
2	Q1	Door interlock circuit breaker	ABB	A1A125TMF60	60A	1	YE41106200000	New
3	Q2	Circuit breakers	TECO	BM-63C	6A	1	YE40300603000	A
4	Q3	Circuit breakers	TECO	BM-63C	10A	1	YE40301003000	
5	Q4	Thermomagnetic circuit breaker	CHNT	NS2-25	1.6-2.5A	1	YE10162500100	
6	K1 K2	Contact	SIEMENS	3RT6028-1AC20	38A 24VAC 50/60Hz	2	YE00602802600	
7	K3	Contact	SIEMENS	3RT6027-1AC20	32A 24VAC 50/60Hz	1	YE00602702600	
8	K4	Contact	SIEMENS	3RT6015-1AB01	7A 24VAC 50/60Hz	1	YE00601502500	
9	K5 K6	Contact	SIEMENS	3RT6015-1AB02	7A 24VAC 50/60Hz	2	YE00601502600	
10	K7	Phase sequence protector	CHAOSHI	ABJ-10W	400V 50/60Hz	1	YE03103800000	
11	K8 K9 K10	Middle relay	WEIDMULLER	DRM270024LT	24VDC	3	YE03272400000	B
12	K11 K12	Middle relay	Honeywell	GR-2C-AC24V	24VAC	2	YE03022400300	
13	K13	Timer relay	YUYUN	TRF-IN/3M	3M 24VAC	1	YE86032400000	
14	K14 K15	Timer relay	YUYUN	TH3M-NAB	3S~60M 24VAC	2	YE86123000000	
15	K16	Middle relay	WEIDMULLER	DRM270024LT	24VDC	1	YE03272400000	
16	K17	Timer relay	YUYUN	TH3M-NAB	3S~60M 24VAC	1	YE86123000000	
17	K18	Middle relay	Honeywell	GR-4C-AC24V	24VAC	1	YE03042400300	
18	F1	Thermal overload relay	SIEMENS	3RU6126-4BB0	14~20A	1	YE01260140000	C
19	K19	Middle relay	Honeywell	GR-2C-AC24V	24VAC	1	YE03022400300	
20	Q5	Circuit breakers	TECO	BM-63C/2003S 2P	3A	1	YE40200203000	
21	Q6	Circuit breakers	TECO	BM-63C/1006S 1P	6A	1	YE40100600100	
22	Q7	Circuit breakers	TECO	BM-63C/1003S 1P	3A	1	YE40100203000	
23	A1	Inverter	ABB	ACS355-03E-02A4-4	400V 0.75kW	1	YE75350300000	
24		Controller pad	ABB	J4-04	---	1	YE81040400000	
25	T	Mutual transformer	---	400V/415V 0UT=24V/230V	120VA/2000mA	1	YE70040007700	
机型版本 Ver.D Notes:(1)Materials not in the control box;								
Title			SGF-2690		Drawing NO.		Scale	
Version			Elec. Parts List 1		SGF-2690-GB-400V-G-6		Standard GB	
Designer			Approved by		Voltage		Page 6	
Proofread by			Date		Frequency		Totally 7 Pages	
Checked by			20210120		3Φ4.00V		50HZ	
Modified by					SHINI		8	
After modification					信易电热机械股份有限公司			
Before modification					Shini Plastics Technologies, Inc.			

1	2	3	4	5	6	7	8		
NO.	Symbol	Name	Manufacturer	Type	Specification	Number	Material number	Remark	
26	S1	Emergency stop button	SCHNEIDER	XB2BS542C	400VAC	1	YE11254200000	(1)	
27	S2	Stop button	SCHNEIDER	XB2BA22C	400VAC	1	YE11222000000	(1)	
28	S11 S12	Botton switch	ABB	CP1-11G-10	400VAC	2	YE11241100000	(1)	
29	S3,H1	Start button switch (with light)	SCHNEIDER	XB2BW33B1C	24VAC	1	YE11233100000	(1)	
30	S4,S5	Safety switch	SCHMERSRC	AZ15ZVRK-1476-1-B1	AC-15	2	YE16147600100	(1)	
31	S7 S8	Inductive sensor	CONTRINEX	DW-AD-621-M12	24VDC NPN N.O	2	YE90621120000	(1)	
32	S16	Sensor	DELIN	DL-12	24VDC NPN	1	YE15122400000	(1)	
33	H2	Indicator	ABB	CL2-502G	24VAC	1	YE83050200100	(1)	
34	H3	3-color alarm lamp	SHINI	Red. gre. yel.+buzzer	24VAC	1	BL90002401520	(1)	
35	S13	Selective switches	ABB	CZSS2-10B-10	Uj=300V Ith=5A	1	YE12210100000	(1)	
36	U	DC power	MEAN WELL	LRS-35-24	OUT=24VDC 1.5A	1	YE71352400100	(1)	
37	PA	Ampere meter	SFIM	DH-670	50A	1	YE25675000000	(1)	
38	X1	Terminal board	Honeywell	GK10	10mm ²	3	YE60001003200		
39		Terminal board	Honeywell	GK10PE	10mm ² PE	1	YE60001003500		
40		Terminal board	Honeywell	GK6.0	6.0mm ²	2	YE60000603200		
41		Terminal board	Honeywell	SK4.0	4.0mm ²	6	YE60000403200		
42		Terminal board	Honeywell	GK4.0PE	4.0mm ² PE	1	YE60000403500		
43		Terminal board	Honeywell	SK2.5	2.5mm ²	11	YE60002503200		
44		Terminal board	Honeywell	GK2.5PE	2.5mm ² PE	3	YE60002503400		
45	X2	Terminal board	Honeywell	SK2.5	2.5mm ²	29	YE60002503200		
46	M1	Motor	SIEMENS	15kW	400V 50Hz	1	-----	(1)	
47	M2	Motor	TRANSTECNO	0.75kW	400V 50Hz	1	-----	(1)	
48	M3	Motor	SHINI	2.2kW	400V 50Hz	1	-----	(1)	
49	M4	Elect. push rod motor (with limit)	SKF	CAHB-31-P3N-2044.95	230V 50Hz	1	-----	(1)	
50		Terminal fittings	Honeywell	-----	-----	4	YE60000003900		
机型版本		Ver.D	Notes:(1)Materials not inthe control box;						
			Drawer	Version	Title		Drawing NO.		
			Designer	G	SGF-2690		SGF-2690-GB-400V-G-7		
			Proofread by	Approved by	Elec. Parts List 2		Scale		
			Checked by	Date			Standard GB		
			Modified by	20210120			Voltage		
			Modify date				Frequency		
			Before modification				3Φ400V		
			After modification				50HZ		
							Page 7		
							Totally 7		
							Pages		
							8		



信易电热机械股份有限公司
Shini Plastics Technologies, Inc.