

整加版本 Ver.C

D	Mark	Before modification	After modification	Modified by	Modify date	Checked by	Date	20170830
	Proofread by					Approved by		
Version		F						
Title		SDL-40U Main Circuit Diagram		Drawing NO				
Scale		Standard		CE		Page 1		
Voltage		230V		Frequency		50Hz		
Totally		5		Pages				
Standard		CE		Page 1				

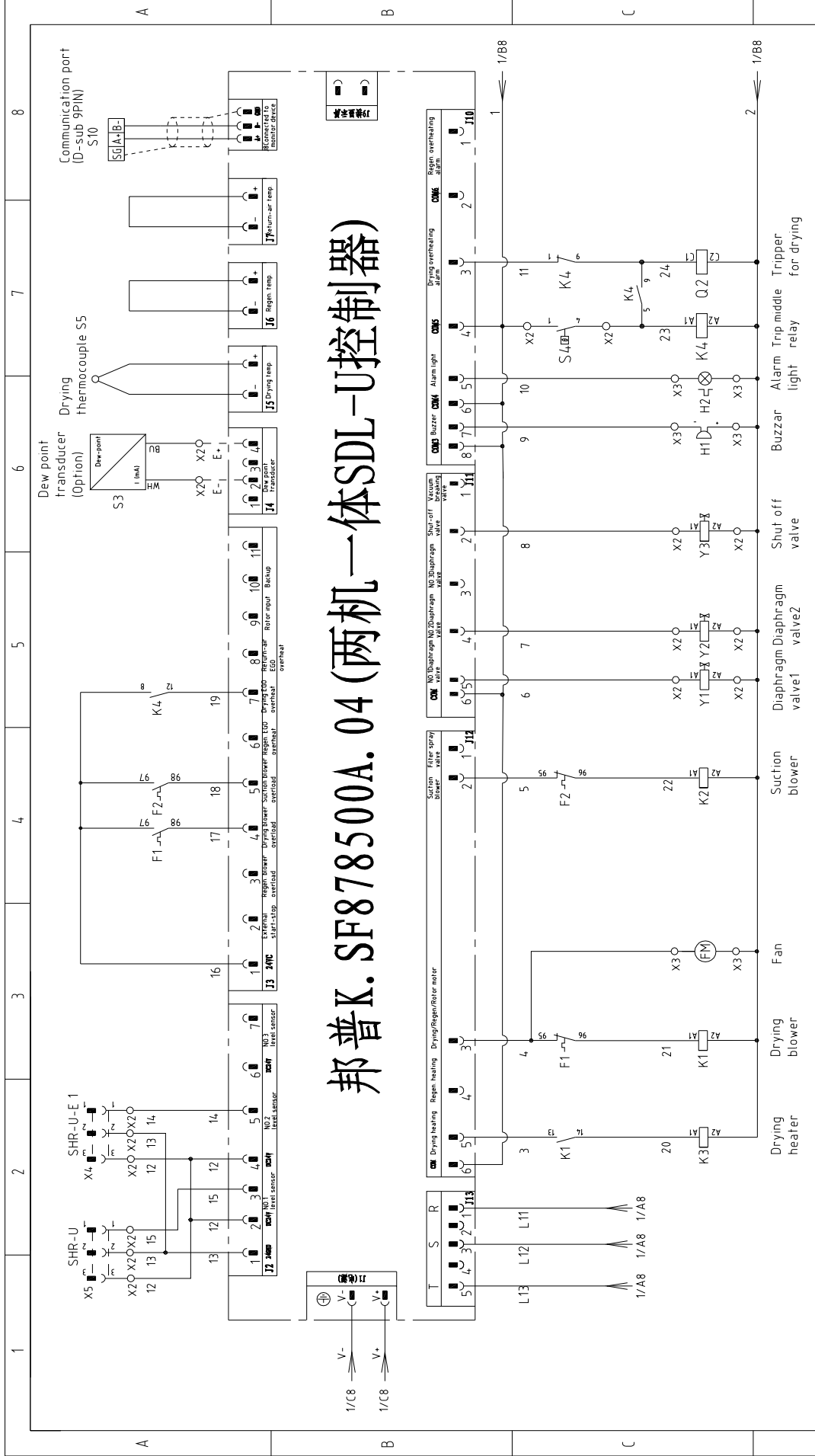


Heatless regenerator (Option)

P=15kW  
IN=5.8A  
Suction blower

P=0.12kW  
IN=0.48A  
Drying blower

P=3.0kW  
IN=7.9A  
Drying heater



# 邦普K. SF878500A. 04 (两机一体SDL-U控制器)

整机版本 Ver.C

Drawing No		SDL-40U-CE-230V-F-2		Scale	CE	Page	2
Title		Control Circuit Diagram		Standard	CE	Totally	5
Version		Approved by		Voltage		230V	
Date		20170830		Frequency		50HZ	
Mark	Before modification	After modification	Modified by	Modify date	Checked by	Proofread by	Designer
1	2	3	4	5	6	7	8



信易电热机械股份有限公司  
Shini Plastics Technologies, Inc.

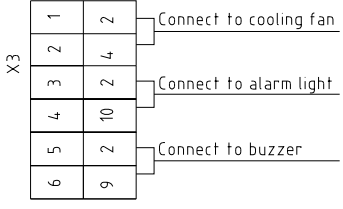
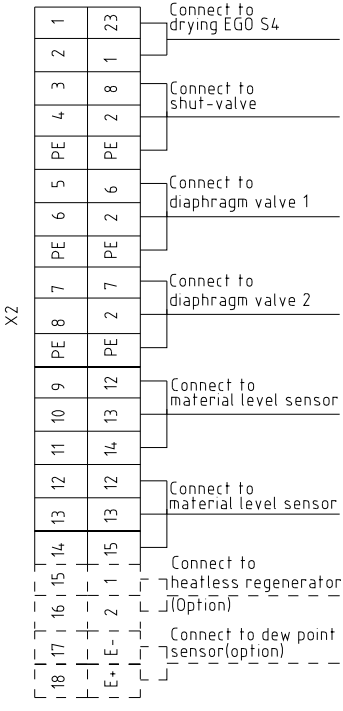
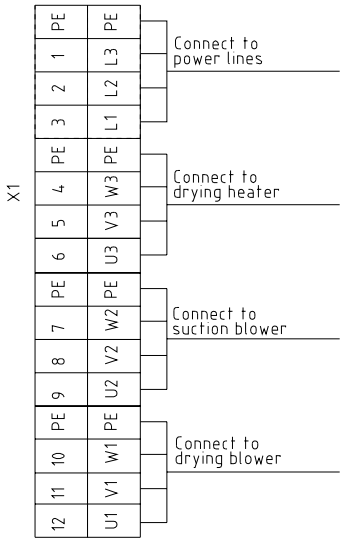
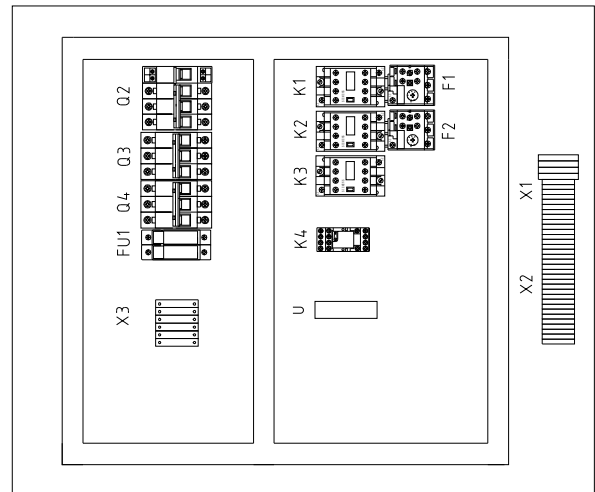
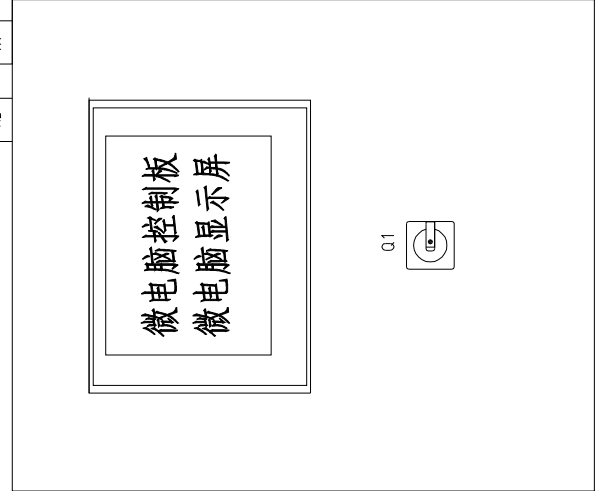
1 2 3 4 5 6 7 8

A

B

C

D

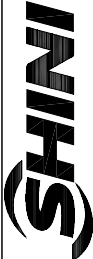


整机版本 Ver.C

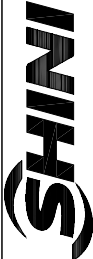
Scale	Standard	Page	3
Standard	CE	Totally	5
Voltage		230V	
Frequency		50Hz	
Drawing NO		SDL-40U-CE-230V-F-3	
Title		SDL-40U Electrical Components Layout	
Version	F	Approved by	
Checked by	20170830	Date	
Modified by		Modify date	
Before modification		After modification	
Mark			



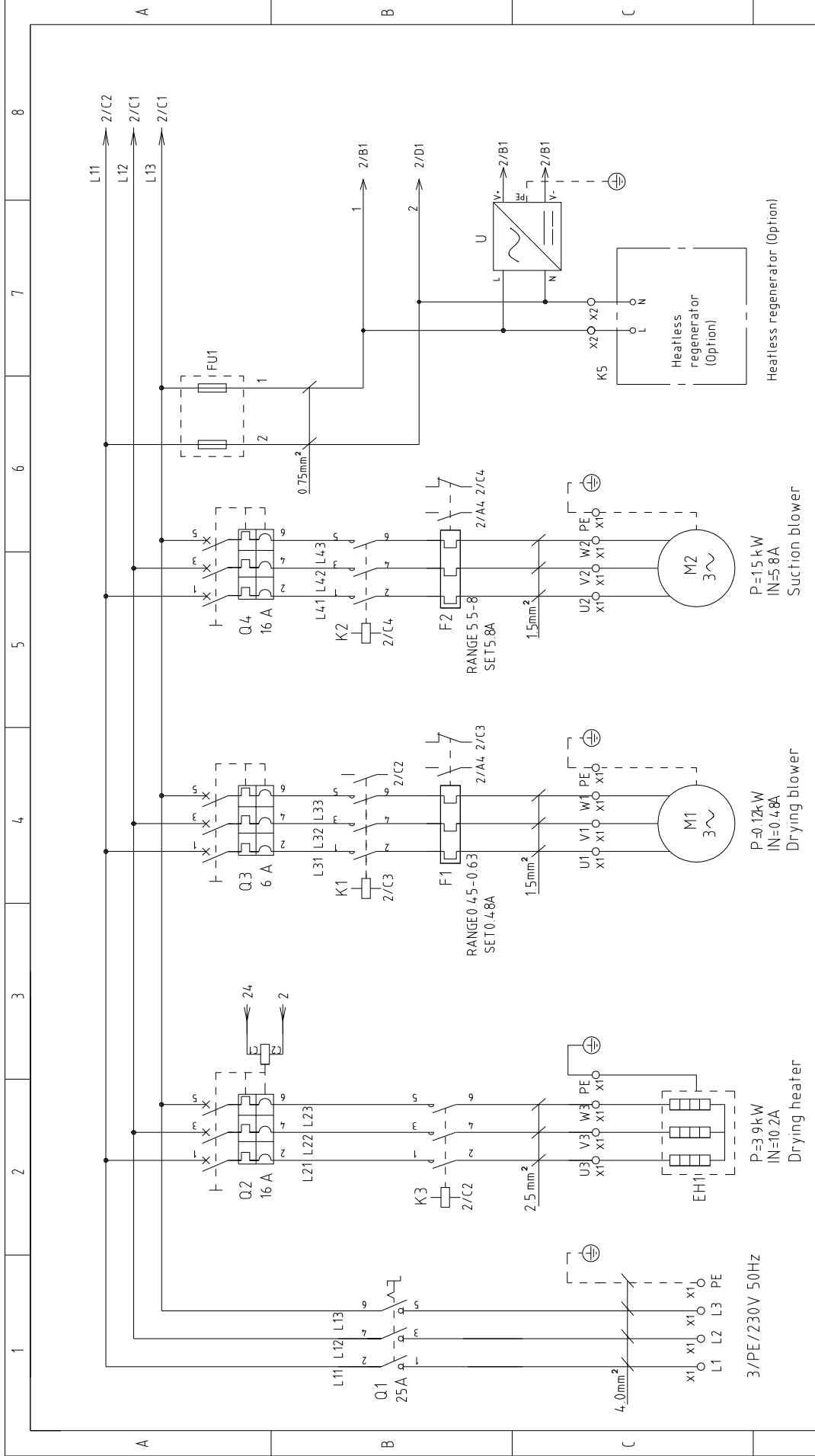
1 2 3 4 5 6 7 8

1		2		3		4		5		6		7		8	
NO	Symbol	Name	Manufacturer	Type	Specification	Number	Material number	Remark	D		E		F		
									Scale	Page	Standard	CE	Totally	Pages	
1	Q1	Main switch	EATON	P1-25/EA/SVB	25A	1	YE10125250000								
2	Q2	Circuit-breaker	TECO	BM-63C/3010S	10A	1	YE40301003000								
3		Excitation release	TECO	MX	230V 50/60Hz	1	YE40023560000								
4	Q3	Circuit-breaker	TECO	BM-63C/3006S	6A	1	YE40300603000								
5	Q4	Circuit-breaker	TECO	BM-63C/3016S	16A	1	YE40301603000								
6	K1	Contact	SIEMENS	3RT6015-1ANZ1	7A 220V 50/60Hz	1	YE00601521000								
7	K2	Contact	SIEMENS	3RT6016-1ANZ1	9A 220V 50/60Hz	1	YE00601621000								
8	K3	Contact	SIEMENS	3RT6017-1ANZ1	12A 220V 50/60Hz	1	YE00601721000								
9	K4	Middle relay	WEIDMULLER	DRM270730LT	230V 50/60Hz	1	YE03270700000								
10	U	DC power	MEAN WELL	NES-35-24	OUT=DC24V 15A	1	YE71352400100								
11	F1	Overload relay	SIEMENS	3RU6116-0GB0	0.45-0.63A	1	YE01161450000								
12	F2	Overload relay	SIEMENS	3RU6116-1HB0	5.5-8A	1	YE01160550000								
13	FU1	Fuse base	CHNT	RT28-32	2P	1	YE41032200000								
14		Fuse core	CHNT	10x38 500V	2A	2	YE4602000000								
15	S3	Dew-point transducer	CS	CS 217-0EM	POWER=24VDC OUT=4-20mA	1	-----	(1)(2)							
16	S4	Temperature protector	EGO	--	115-320°	1	-----	(1)							
17	S5	Thermocouple	SHINI	ST-K	K	1	-----	(1)							
18	PCB	SDL-U Controller	PUMP	K SF878500A 04	-----	1	YE80878500300								
19	H1	Buzzer	HITPOINT	PK-35A	220V AC/DC	1	YE84003500200								
20	H2	Alarm indicator	SHINI	LED-3051	230VAC 50Hz	1	YE83305100200	(1)							
21	FM	Fan	SUNON	DP-200A	230VAC 40W	1	-----	(1)							
22	Y1,Y2,Y3	Solenoid valve	FESTO	MSFW-230-50/60	230VAC 50/60Hz	3	-----	(1)							
23	M1	Blower	SHINI	----	230V 50/60Hz 0.12KW	1	-----	(1)							
24	M2	Blower	SHINI	----	230V 50/60Hz 15KW	1	-----	(1)							
25	EH1	Heater	SHINI	----	230V 50/60Hz 3.0KW	1	-----	(1)							
<b>整机版本 Ver.C</b> Notes: (1)Means it's not the material inside the control box. (2)Means accessories for Dew-point transducer.									Drawing NO SDL-40U- CE-230V-F-4		Scale Standard CE		Page 4 Totally 5 Pages		
Mark Before modification				Modified by		Modified date		Checked by		Date		20170830			
										Voltage Frequency		230V 50Hz			

信易电热机械股份有限公司  
Shini Plastics Technologies, Inc.

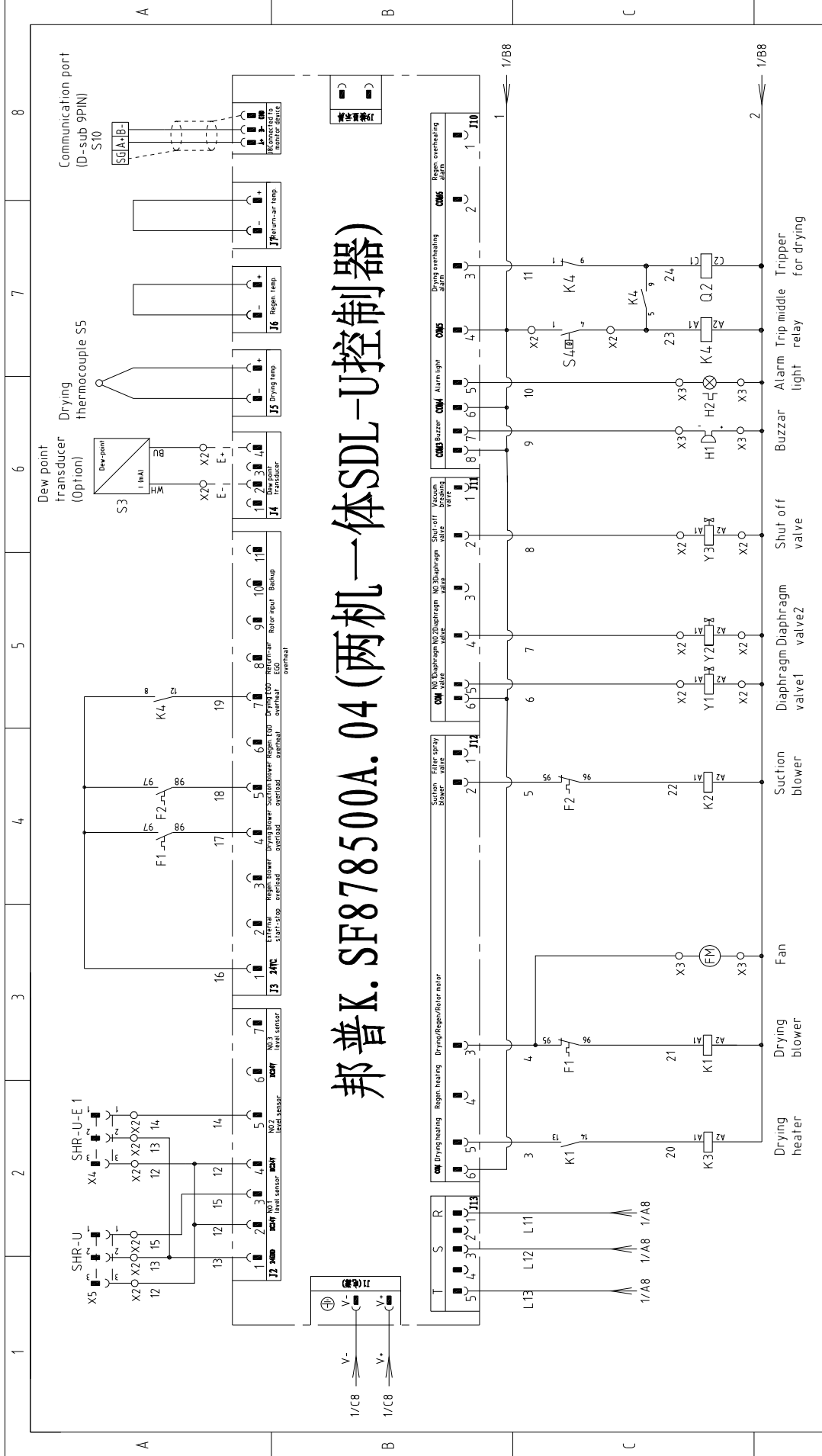






整机版本 Ver.C

D	Mark	Before modification	After modification	Modified by	Modify date	Checked by	Proofread by	Designer	Drawer	Version	F	Title		Drawing NO		Scale	Page	
					20170830								SDL-80U/120U- Main Circuit Diagram	SDL-80U/120U- CE-230V-F-1	CE	CE	1	5
													Voltage	230V				
													Frequency	50HZ				
													Standard	CE	Totally		8	
													SHINI		信易电热机械股份有限公司 Shini Plastics Technologies, Inc.		7	



# 邦普K. SF878500A.04 (两机一体SDL-U控制器)

整机版本 Ver.C

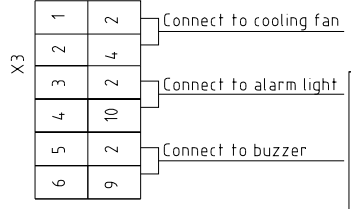
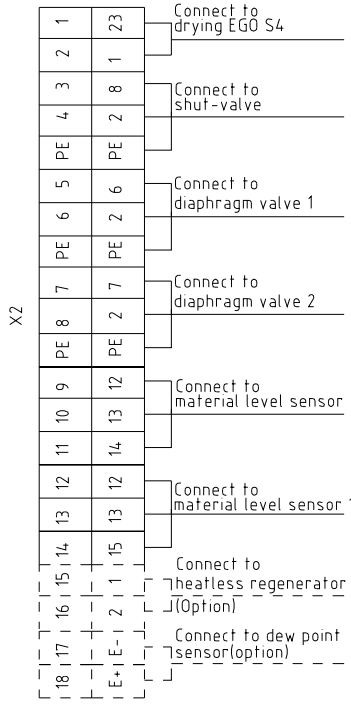
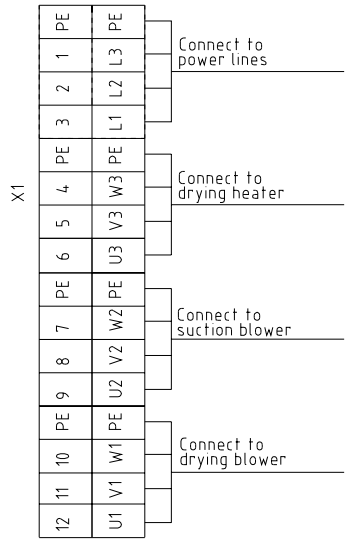
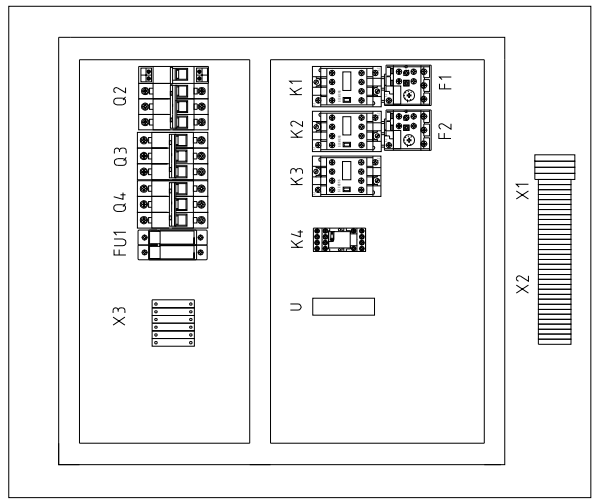
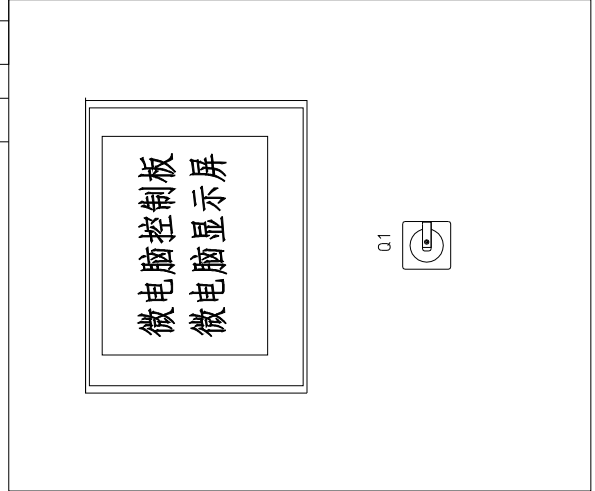
1	2	3	4	5	6	7	8
Drawing No							
Title				Scale			
SDL-80U/120U				Standard			
Control Circuit Diagram				CE			
Version				Page 2			
Designer				Totally 5			
Proofread by				Voltage			
Checked by				Frequency			
Date				230V			
Modified by				50Hz			
Mark				8			
After modification				7			
Modify date				6			
20170830				5			
2				3			
1				4			



信易电热机械股份有限公司  
Shini Plastics Technologies, Inc.

1 2 3 4 5 6 7 8

A B C D



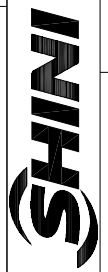
整机版本 Ver.C

Drawing NO	SDL-80U/120U-	Scale	Page
	CE-230V-F-3	Standard	Totally
Title	SDL-80U/120U- Electrical Components Layout	Voltage Frequency	
Version	F	Approved by	230V 50HZ
Designer		Date	
Proofread by		Modify date	
Checked by	20170830	Modified by	
Mark		Before modification	
		After modification	



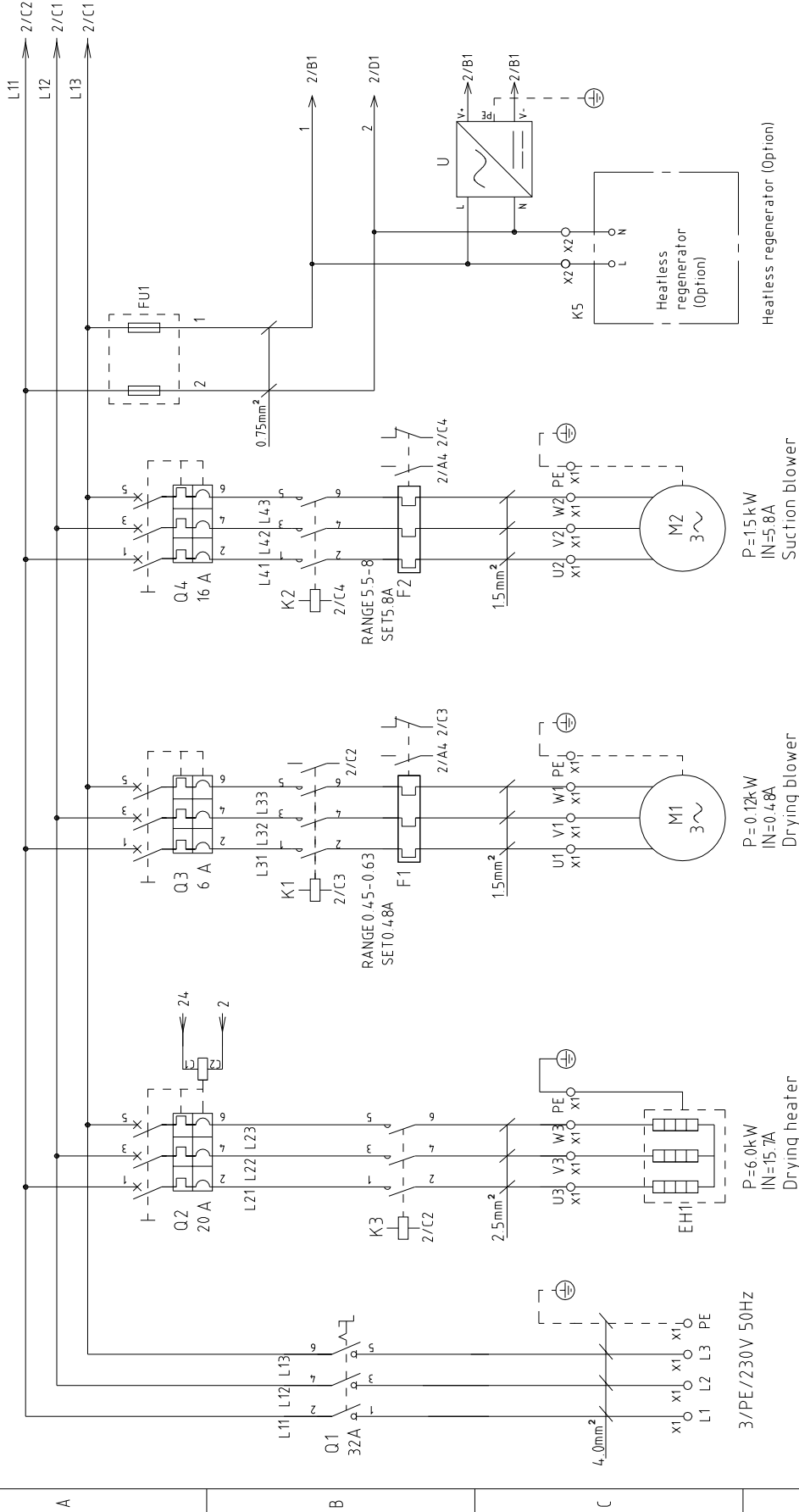


1		2		3		4		5		6		7		8	
NO	Symbol	Name	Manufacturer	Type	Specification	Number	Material number	Remark							
1	Q1	Main switch	EATON	P1-25/EA/SVB	25A	1	YE10125250000								
2	Q2	Circuit-breaker	TECO	BM-63C/3016S	16A	1	YE40301603000								
3		Excitation release	TECO	MX	230V 50/60Hz	1	YE40023560000								
4	Q3	Circuit-breaker	TECO	BM-63C/3006S	6A	1	YE40300603000								
5	Q4	Circuit-breaker	TECO	BM-63C/3016S	16A	1	YE40301603000								
6	K1	Contact	SIEMENS	3RT6015-1ANZ1	7A 220V 50/60Hz	1	YE00601521000								
7	K2	Contact	SIEMENS	3RT6016-1ANZ1	9A 220V 50/60Hz	1	YE00601621000								
8	K3	Contact	SIEMENS	3RT6018-1ANZ1	16A 220V 50/60Hz	1	YE00601800000								
9	K4	Middle relay	WEIDMULLER	DRM270730LT	230V 50/60Hz	1	YE03270700000								
10	U	DC power	MEAN WELL	NES-35-24	OUT=DC24V 15A	1	YE71352400100								
11	F1	Overload relay	SIEMENS	3RU6116-0GB0	0.45-0.63A	1	YE01161450000								
12	F2	Overload relay	SIEMENS	3RU6116-1HB0	5.5-8A	1	YE01160550000								
13	FU1	Fuse base	CHNT	RT28-32	2P	1	YE41032200000								
14		Fuse core	CHNT	10x38 500V	2A	2	YE4602000000								
15	S3	Dew-point transducer	CS	CS 217-0EM	POWER=24VDC OUT=4-20mA	1	-----	(1)(2)							
16	S4	Temperature protector	EGO	--	115-320°	1	-----	(1)							
17	S5	Thermocouple	SHINI	ST-K	K	1	-----	(1)							
18	PCB	SDL-U Controller	PUMP	K.SF878500A.04	-----	1	YE80878500300								
19	H1	Buzzer	HITPOINT	PK-35A	220V AC/DC	1	YE84003500200								
20	H2	Alarm indicator	SHINI	LED-3051	230VAC 50Hz	1	YE83305100200	(1)							
21	FM	Fan	SUNON	DP-200A	230VAC 40W	1	-----	(1)							
22	Y1,Y2,Y3	Solenoid valve	FESTO	MSFW-230-50/60	230VAC 50/60Hz	3	-----	(1)							
23	M1	Blower	SHINI	----	230V 50/60Hz 0.12KW	1	-----	(1)							
24	M2	Blower	SHINI	----	230V 50/60Hz 15KW	1	-----	(1)							
25	EH1	Heater	SHINI	----	230V 50/60Hz 3.9KW	1	-----	(1)							
<b>整机版本 Ver.C</b> Notes: (1)Means it's not the material inside the control box. (2)Means accessories for Dew-point Transducer.															
		Title		F		Version		F		Drawing NO		Scale		Page	
		SDL-80U/120U		Electrical Components List 1		SDL-80U/120U-		CE-230V-F-4		Standard		CE		Totally 4	
		Designer		Approved by		Date		Date		Voltage		Frequency		Pages	
		Proofread by		Checked by		20170830		20170830		230V		50Hz		5	
Mark		Before modification		Modified by		Modify date		Date		Voltage		Frequency		Pages	
										230V		50Hz		8	



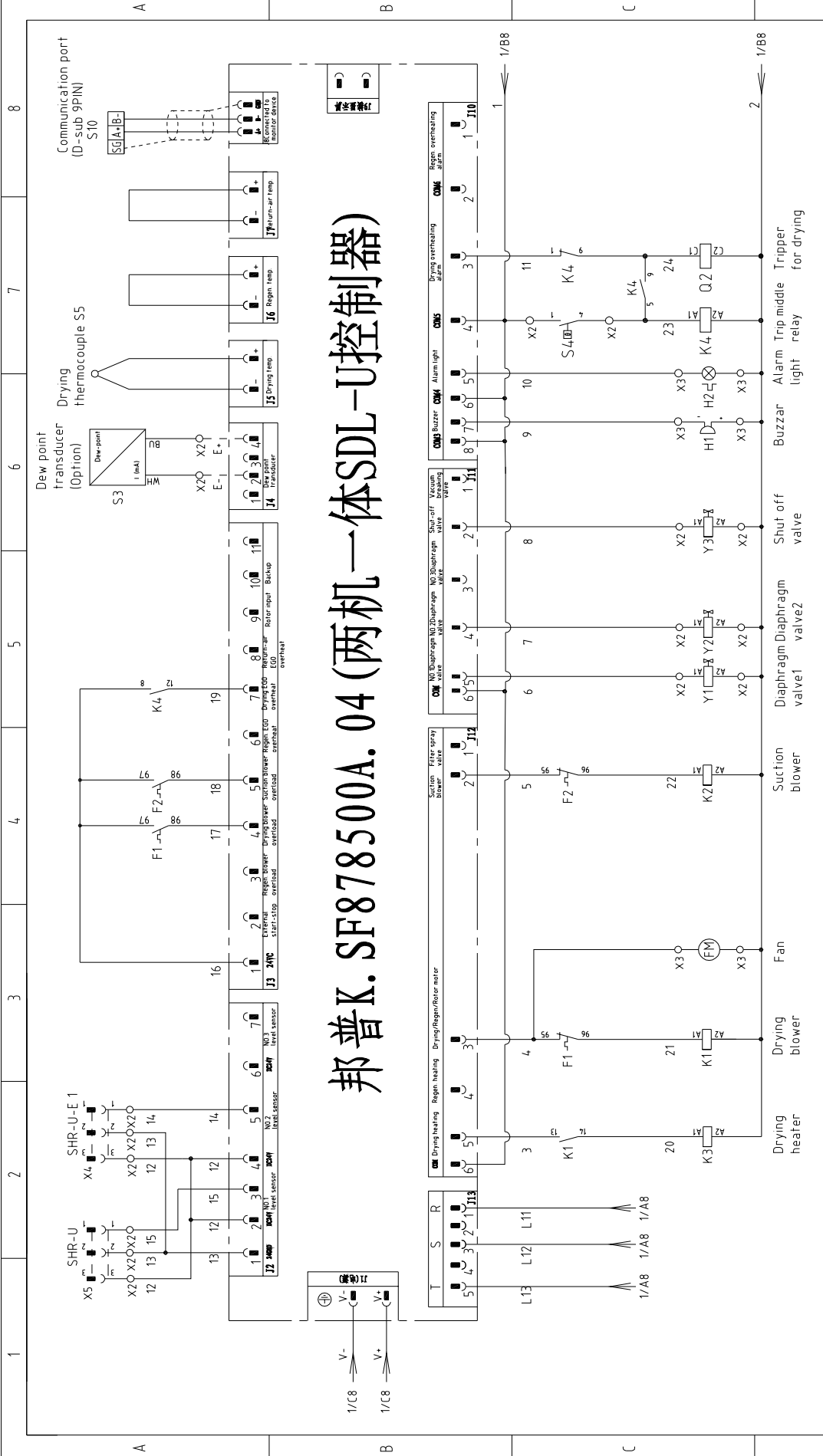
**信易电热机械股份有限公司**  
Shini Plastics Technologies, Inc.

1		2		3		4		5		6		7		8						
No	Symbol	Name	Manufacturer	Type	Specification	Number	Material number	Remark												
26	X1	Terminal board	----	4mm <sup>2</sup>	----	12	YE600004.03200													
27			----	4mm <sup>2</sup> PE	----	4	YE600004.03500													
28	X2	Terminal board	----	2.5mm <sup>2</sup>	----	14	YE60002503200	A												
29			----	2.5mm <sup>2</sup> PE	----	3	YE60002503400													
30			----	2.5mm <sup>2</sup>	----	2	YE60002503200	(2)												
31			----	2.5mm <sup>2</sup>	----	2	YE60002503200	(3)												
32	X3	Terminal	----	2.5mm <sup>2</sup>	----	6	YE60002503200													
33	X4, X5	Heavy duty connector	SIBAS	HDC-HA-004.1	4P 10A	2	YE6804.1000100	(1)												
34	S10	Communication interface board RS-485 (double Dsub-9pin connector)	--	--	--	1	YE9004.8501200	(1)												
35		Shell RS485(SAL-700G-A-1910)	--	--	--	1	YR4-004.8500000	(1)												
36		Terminal block E/GKseries(honeywell)	--	--	--	5	YE60000003900													
B																				
C																				
D																				
<b>整机版本 Ver.C</b> Notes: (1)Means it's not the material inside the control box. (2)Means accessories for Dew-point transducer.(3) Means optional heatless regenerator.									Drawing NO SDL-80U/120U- CE-230V-F-5		Scale CE	Page 5								
<b>SHINI</b> 信易電熱機械股份有限公司 Shini Plastics Technologies, Inc.									Electrical Components List 2		Voltage 230V	Frequency 50Hz								
Title SDL-80U/120U Electrical Components List 2									Version F		Approved by Date 20170830		Standard CE		Totaly 5		Pages 5			
Mark Before modification									Modified by		Modify date		5		6		7		8	



整机版本 Ver.D

D	Title				Drawing NO		Scale	Page
	SDL-160U Main Circuit Diagram				SDL-160U- CE-230V-F-1		Standard CE	Totally 5 Pages
Mark	Before modification	Modified by	Modify date	Version	Approved by	Date	Voltage	Frequency
			20170830	F		20170830	230V	50HZ
<p>信易电热机械股份有限公司 Shini Plastics Technologies, Inc.</p>								
1	2	3	4	5	6	7	8	8



# 邦普K. SF878500A. 04 (两机一体SDL-U控制器)

整机版本	Ver.D
------	-------

Mark	Before modification	Modified by	Modify date	Checked by	Date	20170830
Proofread by	Approved by	Version	F	Drawer		

Title		SDL-160U- Control Circuit Diagram	
Drawing NO		SDL-160U- CE-230V-F-2	
Scale	Standard	CE	
Page	Totally	2	5
Voltage		230V	
Frequency		50Hz	



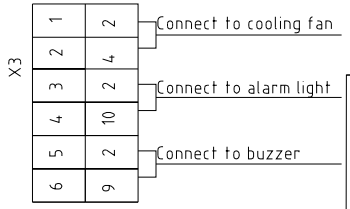
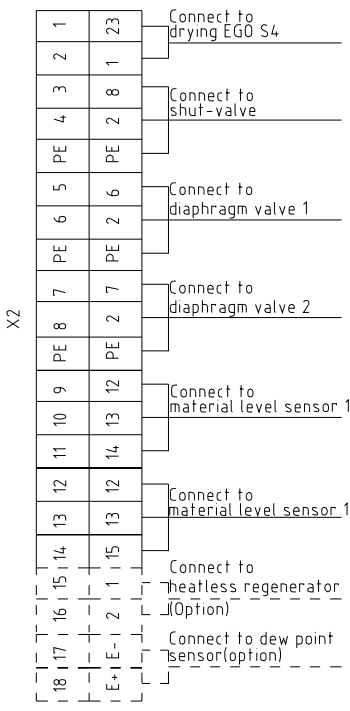
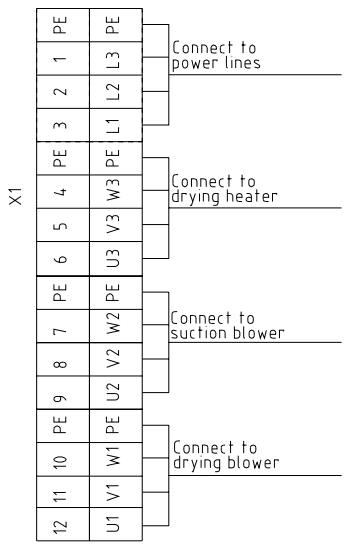
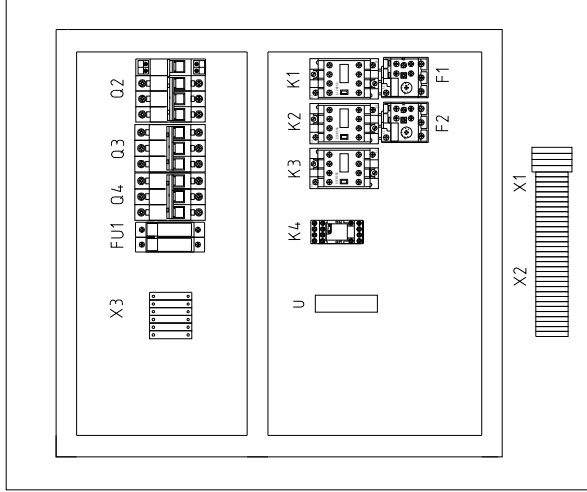
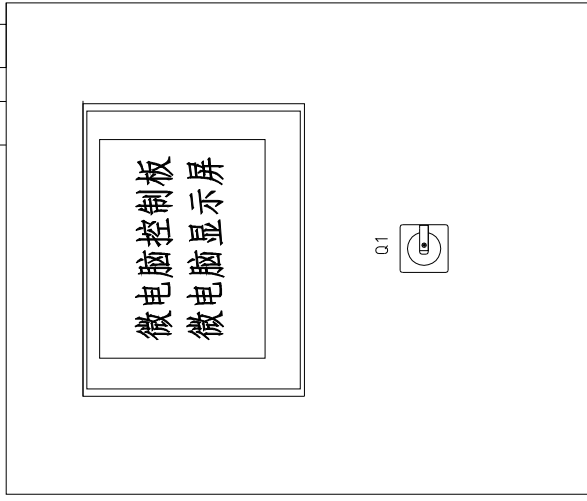
1 2 3 4 5 6 7 8

A

B

C

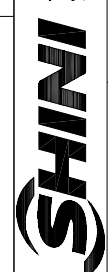
D



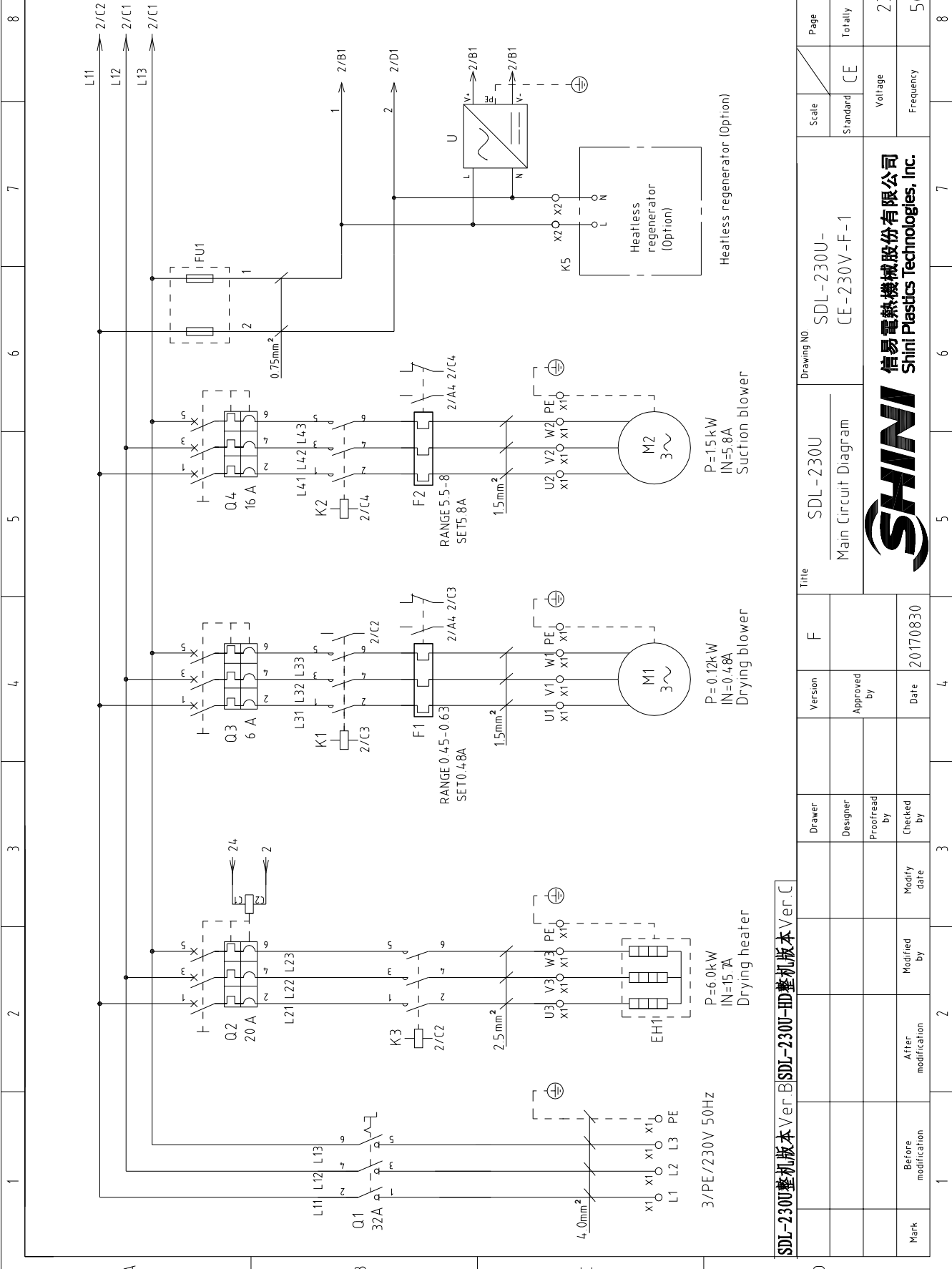
整机版本 Ver.D

Drawing NO		SDL-160U-CE-230V-F-3		Page	3
Title		SDL-160U Electrical Components Layout		Standard	CE
Version	F	Approved by		Totally	5
Drawer		Proofread by		Pages	
Date	20170830	Checked by		Voltage	230V
Modified by		Modify date		Frequency	50HZ
Mark		After modification		8	
Before modification					



1		2		3		4		5		6		7		8	
NO	Symbol	Name	Manufacturer	Type	Specification	Number	Material number	Remark							
1	Q1	Main switch	EATON	P1-32/EA/SVB	32A	1	YE10323200000								
2	Q2	Circuit-breaker	TECO	BM-63C/3020S	20A	1	YE40302003000								
3		Excitation release	TECO	MX	230V 50/60Hz	1	YE40023560000								
4	Q3	Circuit-breaker	TECO	BM-63C/3006S	6A	1	YE40300603000								
5	Q4	Circuit-breaker	TECO	BM-63C/3016S	16A	1	YE40301603000								
6	K1	Contact	SIEMENS	3RT6015-1ANZ1	7A 220V 50/60Hz	1	YE00601521000								
7	K2	Contact	SIEMENS	3RT6016-1ANZ1	9A 220V 50/60Hz	1	YE00601621000								
8	K3	Contact	SIEMENS	3RT6026-1ANZ0	25A 220V 50/60Hz	1	YE00602622000								
9	K4	Middle relay	WEIDMULLER	DRM270730LT	230V 50/60Hz 12A	1	YE03270700000								
10	U	DC power	MEAN WELL	NES-35-24	OUT=DC24V 15A	1	YE71352400100								
11	F1	Overload relay	SIEMENS	3RU6116-0GB0	0.45-0.63A	1	YE01161450000								
12	F2	Overload relay	SIEMENS	3RU6116-1HB0	5.5-8A	1	YE01160550000								
13	FU1	Fuse base	CHNT	RT28-32	2P	1	YE41032200000								
14		Fuse core	CHNT	10x38 500V	2A	2	YE46020000000								
15	S3	Dew-point transducer	CS	CS 217-0EM	POWER=24VDC OUT=4-20mA	1	-----	(1)(2)							
16	S4	Temperature protector	EGO	--	115-320°	1	-----	(1)							
17	S5	Thermocouple	SHINI	ST-K	K	1	-----	(1)							
18	PCB	SDL-U Controller	PUMP	K SF878500A 04	-----	1	YE80878500300								
19	H1	Buzzer	HITPOINT	PK-35A	220V AC/DC	1	YE84003500200								
20	H2	Alarm indicator	SHINI	LED-3051	230VAC 50Hz	1	YE83305100200	(1)							
21	FM	Fan	SUNON	DP-200A	230VAC 40W	1	-----	(1)							
22	Y1,Y2,Y3	Solenoid valve	FESTO	MSFW-230-50/60	230VAC 50/60Hz	3	-----	(1)							
23	M1	Blower	SHINI	----	230V 50/60Hz 0.12KW	1	-----	(1)							
24	M2	Blower	SHINI	----	230V 50/60Hz 15KW	1	-----	(1)							
25	EH1	Heater	SHINI	----	230V 50/60Hz 6.0KW	1	-----	(1)							
<b>整机版本 Ver.D</b> Notes: (1)Means it's not the material inside the control box. (2)Means accessories for Dew-point transducer.															
		Title		F		Version		F		Drawing NO		Scale		Page	
		SDL-160U		Electrical Components List 1		SDL-160U-		CE-230V-F-4		Standard		CE		Totally 5 Pages	
		Designer		Approved by		Proofread by		Checked by		Date		Voltage		Frequency	
		20170830		20170830		20170830		20170830		20170830		230V		50Hz	
 <b>信易电热机械股份有限公司</b> <b>Shini Plastics Technologies, Inc.</b>															
1 2 3 4 5 6 7 8															



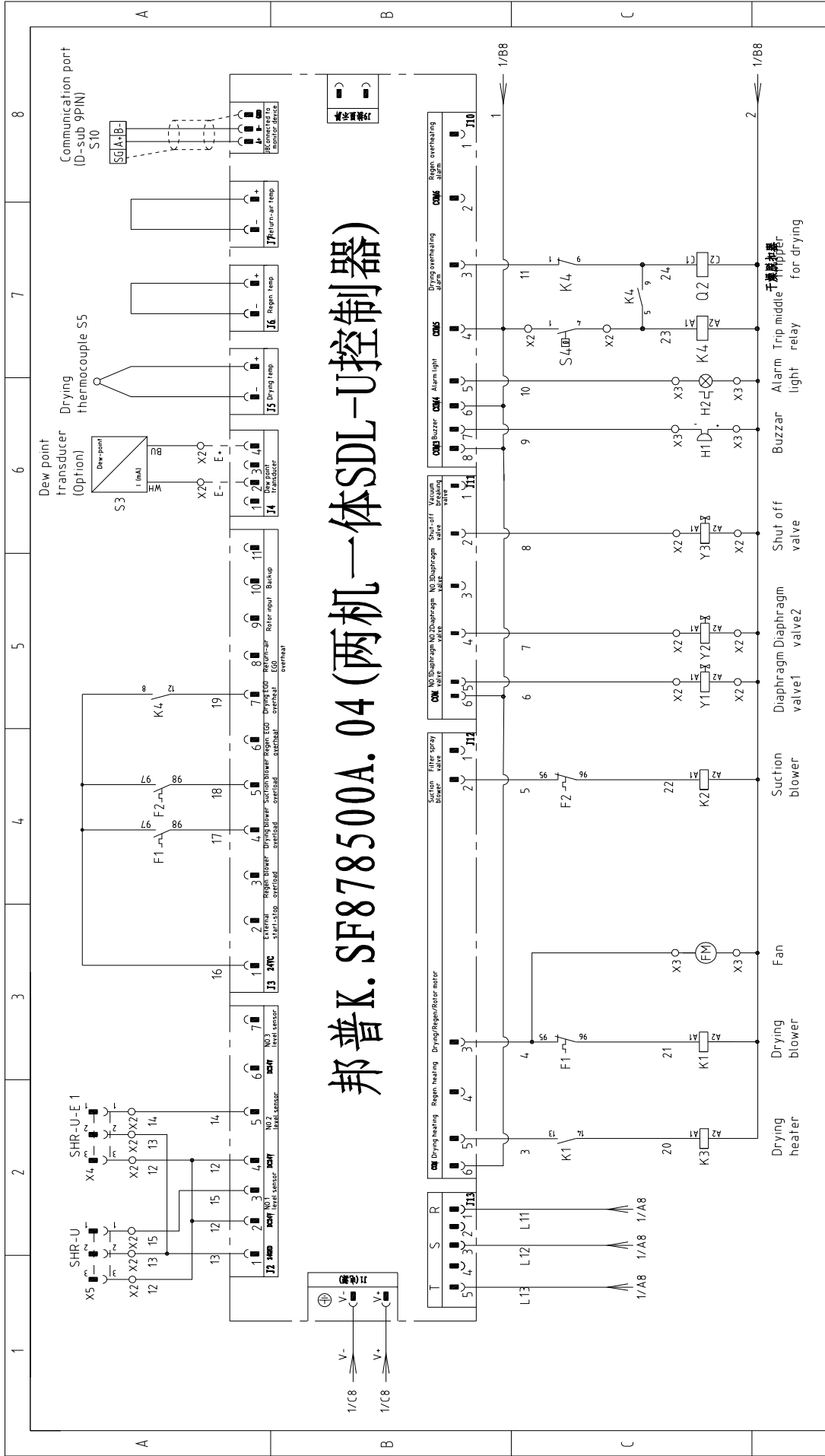


SDL-230U 整机版本 Ver.BSDL-230U-HD 整机版本 Ver.C

D	Title		Drawing NO		Scale	Page
	SDL-230U Main Circuit Diagram		SDL-230U- CE-230V-F-1		Standard CE	Totally 5 Pages
Mark	Before modification	After modification	Modified by	Modify date	Checked by	Date
						20170830
Version		F		Approved by		
Drawer				Checked by		
Designer				Proofread by		
Version				Approved by		
Title		SDL-230U		Drawing NO		
Main Circuit Diagram		SDL-230U- CE-230V-F-1		Scale		Page 1
Standard		CE		Voltage		230V
Frequency				Frequency		50Hz







# 邦普K. SF878500A. 04 (两机一体SDL-U控制器)

SDL-230U 整机版本 Ver.B | SDL-230U-HD 整机版本 Ver.C

Title		Drawing No		Scale		Page	
SDL-230U-CE-230V-F-2		Control Circuit Diagram		Standard CE		Page 2	
Version		Approved by		Voltage		Pages	
Date		Checked by		Frequency		Totally 5	
20170830		Modified by		230V		50Hz	
3		4		6		7	
1		2		5		8	



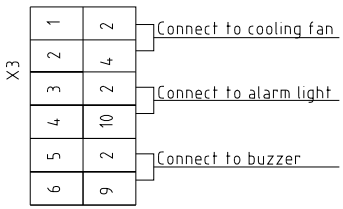
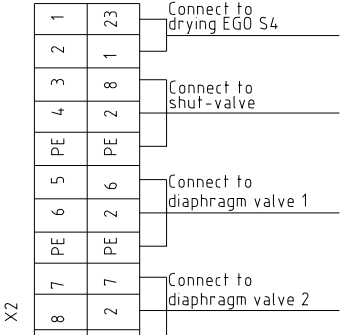
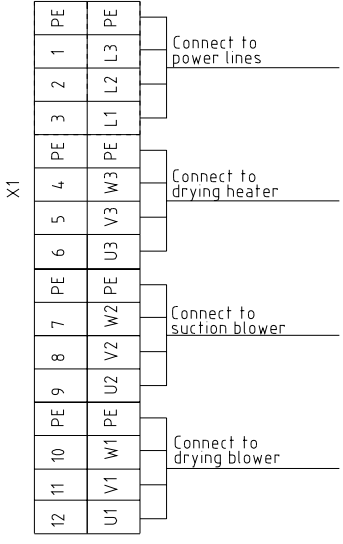
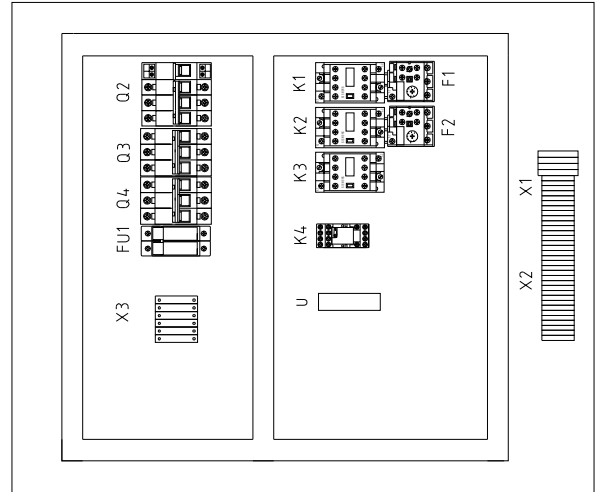
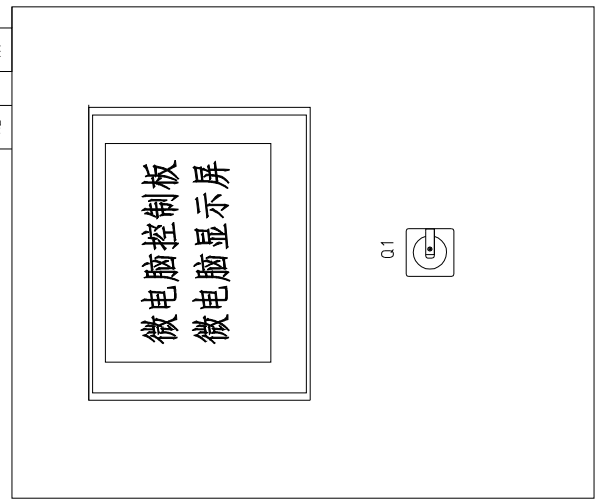
1 2 3 4 5 6 7 8

A

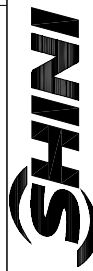
B

C

D



SDL-230U整机版本 Ver.B | SDL-230U-ID整机版本 Ver.C

Drawing NO	SDL-230U-CE-230V-F-3		Scale	Standard	Page	3
	Title		Electrical Components Layout		Totally	5
Version	F	Approved by	Date	20170830	Voltage	230V
Drawer	Designer	Proofread by	Checked by	20170830	Frequency	50Hz
Mark	Before modification	Modified by	Modify date	1	2	3
 <b>信易电热机械股份有限公司</b> <b>Shini Plastics Technologies, Inc.</b>						

1 2 3 4 5 6 7 8

1		2		3		4		5		6		7		8	
NO	Symbol	Name	Manufacturer	Type	Specification	Number	Material number	Remark							
1	Q1	Main switch	EATON	P1-32/EA/SVB	32A	1	YE10323200000								
2	Q2	Circuit-breaker	TECO	BM-63C/3020S 3P	20A	1	YE40302003000								
3	A	Excitation release	CHINT	MX	230V 50/60Hz	1	YE40023560000								
4	Q3	Circuit-breaker	TECO	BM-63C/3006S 3P	6A	1	YE40300603000								
5	Q4	Circuit-breaker	TECO	BM-63C/3016S 3P	16A	1	YE40301603000								
6	K1	Contact	SIEMENS	3RT6015-1ANZ1	7A 220V 50/60Hz	1	YE00601521000								
7	K2	Contact	SIEMENS	3RT6016-1ANZ1	9A 220V 50/60Hz	1	YE00601621000								
8	K3	Contact	SIEMENS	3RT6026-1ANZ0	25A 220V 50/60Hz	1	YE00602622000								
9	K4	Middle relay	WEIDMULLER	DRM270730LT	230V 50/60Hz 12A	1	YE03270700000								
10	U	DC power	MEAN WELL	NES-35-24	OUT=DC24V 15A	1	YE71352400100								
11	F1	Overload relay	SIEMENS	3RU6116-0GB0	0.45-0.63A	1	YE01161450000								
12	F2	Overload relay	SIEMENS	3RU6116-1HB0	5.5-8A	1	YE01160550000								
13	FU1	Fuse base	CHNT	RT28-32	2P	1	YE41032200000								
14		Fuse core	CHNT	10x38 500V	2A	2	YE46020000000								
15	S3	Dew-point transducer	CS	CS 217-0EM	POWER=24VDC OUT=4-20mA	1	-----	(1)(2)							
16	S4	Temperature protector	EGO	--	115-320°	1	-----	(1)							
17	S5	Thermocouple	SHINI	ST-K	K	1	-----	(1)							
18	PCB	SDL-U Controller	PUMP	K.SF878500A.04	-----	1	YE80878500300								
19	H1	Buzzer	HITPOINT	PK-35A	220V AC/DC	1	YE84003500200								
20	H2	Alarm indicator	SHINI	LED-3051	230VAC 50Hz	1	YE83305100200	(1)							
21	FM	Fan	SUNON	DP-200A	230VAC 40W	1	YM60121200400	(1)							
22	Y1,Y2,Y3	Solenoid valve	FESTO	MSFW-230-50/60	230VAC 50/60Hz	3	-----	(1)							
23	M1	Blower	SHINI	----	230V 50/60Hz 0.12KW	1	----	(1)							
24	M2	Blower	SHINI	----	230V 50/60Hz 15KW	1	----	(1)							
25	EH1	Heater	SHINI	----	230V 50/60Hz 6.0KW	1	----	(1)							
<b>SDL-230U整机版本 Ver.B</b> <b>SDL-230U-HD整机版本 Ver.C</b> Notes: (1)Means it's not the material inside the control box. (2)Means accessories for Dew-point transducer.															
D				Title		Version		F		Drawing NO		Scale		Page	
				SDL-230U						SDL-230U-CE-230V-F-4		Standard		CE	
				Electrical Components List 1								Voltage		230V	
				SHINI								Frequency		50Hz	
Mark		Before modification		Modified by		Modify date		20170830				Totaly		5	
												Pages		8	



1		2		3		4		5		6		7		8	
N0	Symbol	Name	Manufacturer	Type	Specification	Number	Material number	Remark							
26	X1	Terminal board	----	4.0mm <sup>2</sup>	----	12	YE600004.03200								
27			----	4.0mm <sup>2</sup> PE	----	4	YE600004.03500								
28	X2	Terminal board	----	2.5mm <sup>2</sup>	----	14	YE60002503200		A						
29			----	2.5mm <sup>2</sup> PE	----	3	YE60002503400								
30			----	2.5mm <sup>2</sup>	----	2	YE60002503200	(2)							
31			----	2.5mm <sup>2</sup>	----	2	YE60002503200	(3)							
32	X3	Terminal	----	2.5mm <sup>2</sup>	----	6	YE60002503200								
33	X4, X5	Heavy duty connector (communication interface board RS-485 (double Dsub-9pin connector))	SIBAS	HDC-HA-004.1	4P 10A	2	YE6804.1000100	(1)							
34	S10		--	--	--	1	YE9004.8501200	(1)							
35		Shell RS4.85(SAL-700G-A-19)0	--	--	--	1	YR4.004.8500000	(1)							
36		Terminal block E/GKseries(honeywell)	--	--	--	5	YE60000003900		B						
C															
D															
Notes: (1)Means it's not the material inside the control box (2)Means accessories for Dew-point transducer (3) Means optional heatless regenerator.															
SDI-230U 整机版本 Ver.B		SDI-230U-HD 整机版本 Ver.C		Notes: (1)Means it's not the material inside the control box (2)Means accessories for Dew-point transducer (3) Means optional heatless regenerator.		Title		Drawing NO		Scale		Page		8	
						SDL-230U-		SDL-230U-		Standard		CE		5	
						Electrical Components List 2		CE-230V-F-5		Voltage		230V		5	
						Date		20170830		Frequency		50Hz		5	
Mark		Before modification		After modification		Modified by		Modify date		Checked by		Date		20170830	
						Version		F		Approved by		Date		20170830	
						Drawer				Designer					
						Proofread by				Checked by					
						SHINI		信易电热机械股份有限公司 Shini Plastics Technologies, Inc.		Voltage		230V		5	
						SHINI		信易电热机械股份有限公司 Shini Plastics Technologies, Inc.		Frequency		50Hz		5	
1		2		3		4		5		6		7		8	