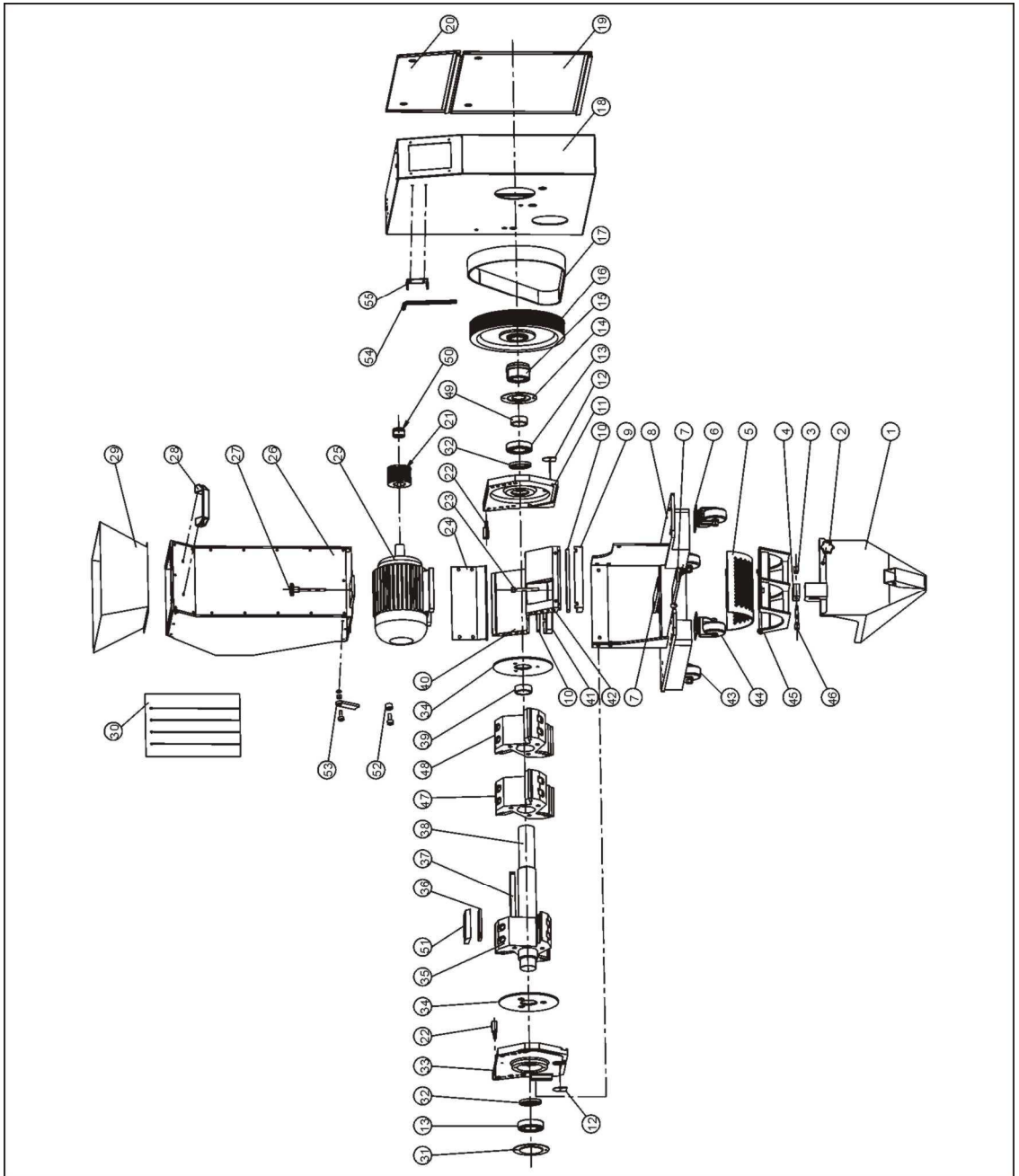


1. Assembly Drawing (SG-1621N)



Note: Please refer to material list 2 about the parts code.

2. Parts List (SG-1621N)

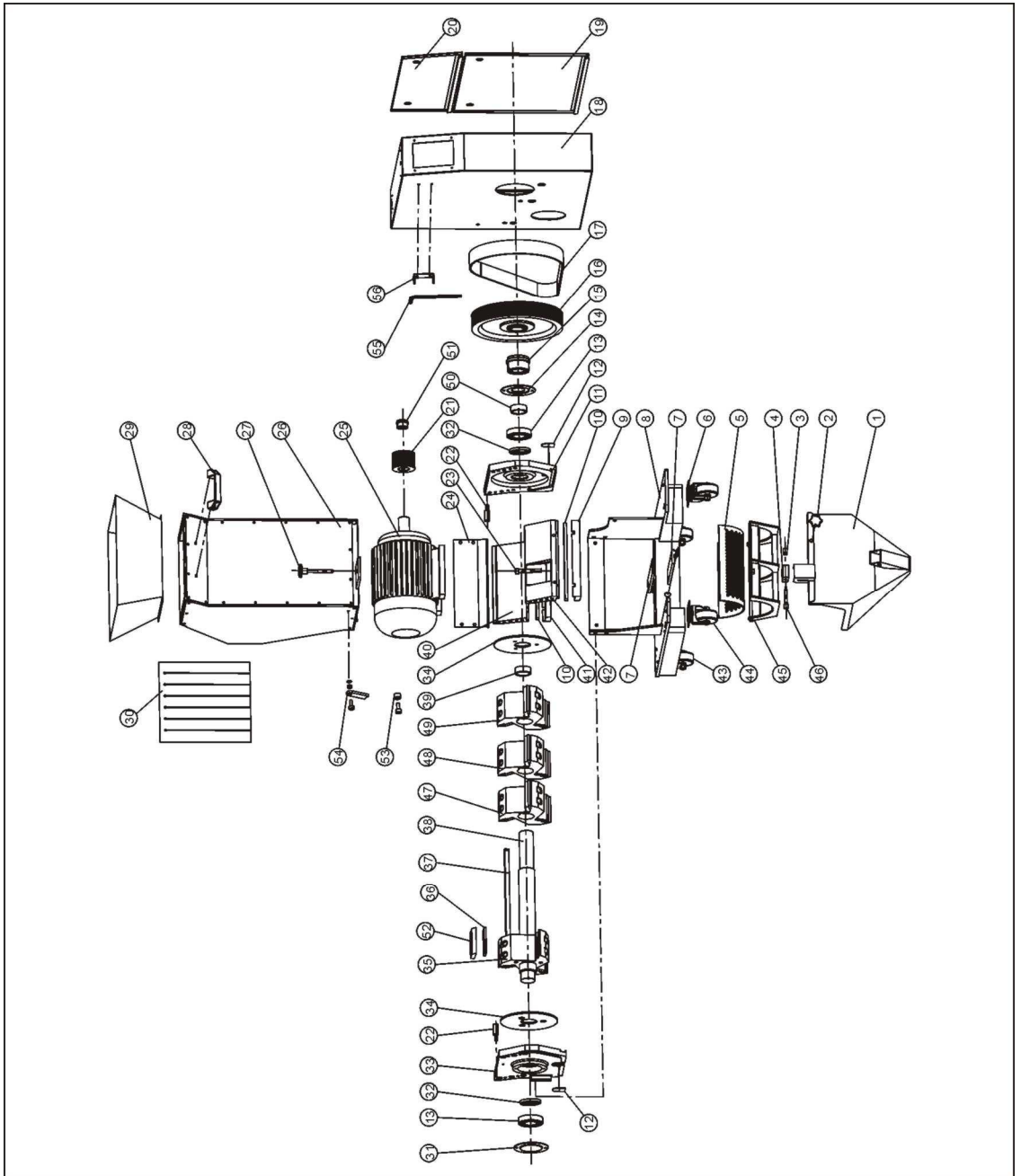
| No. | Name | Part No. | No. | Name | Part No. |
|-----|----------------------------------|---------------|---------------|----------------------------------|------------------|
| 1 | Storage box | - | 26 | Feeding box | - |
| 2 | Knob | YR40083500000 | 27 | Star assembly of feeding box | BH10204202010 |
| 3 | Safety switch knob | BH10024200010 | 28 | Handle* | BW20012000140 |
| 4 | Safety switch installation board | BH10204202310 | 29 | Feeding mouth | - |
| 5 | Screen (Φ4)** | BL50162111620 | 30 | Material fender | - |
| | Screen (Φ5)** | BL50162150020 | 31 | Left bearing cover plate | - |
| | Screen (Φ6)** | BL50162111720 | 32 | Oil seal | YR80554200000 |
| | Screen (Φ7)** | BL50162103820 | 33 | Left bearing plate | BW30162804120 |
| | Screen (Φ10)** | BL50162131920 | 34 | Material fender(65Mn) | YW45162850000 |
| 5 | Screen (Φ12)** | BL50162131020 | 35 | Blade rest(1) | BW30162811610 |
| | 6 | Castor | YW03000300000 | 36 | Rotating balde** |
| 7 | Motor adjusting plate | - | 37 | Flat key 10X199 | BH10162110010 |
| 8 | Base | - | 38 | Shaft | BH55162100010 |
| 9 | Front pressure block | BH10162104010 | 39 | Sleeve | BH10161500010 |
| 10 | Sustain brace** | YW42162100000 | 40 | Back block | BH10162600010 |
| 11 | Right end plate | BH10161600010 | 41 | Pressure block of back block | BH10162500010 |
| 12 | Bearing cover | - | 42 | Front block | BW30162104020 |
| 13 | Bearing 6207DD* | YW11620700000 | 43 | Fixed castor 3" | YW03000300300 |
| 14 | Right bearing cover plate | - | 44 | Movable castor 3" | YW03000300200 |
| 15 | Taper sleeve 3020-35 | BW30001605320 | 45 | Screen rest | - |
| 16 | Large belt wheel | BW30001605120 | 46 | Safety switch installation shaft | BH10204300010 |
| 17 | Poly V-belt 20PJ50 * | YW30205000000 | 47 | Blade rest 1 | BW30001612910 |
| 18 | Outer shell | - | 48 | Blade rest (2) | BW30162111510 |
| 19 | Outer cover board of shell | - | 49 | Sleeve 1 | BH10162823010 |
| 20 | Upper cover board of shell | - | 50 | Taper sleeve 1210-28 | BW30001605420 |
| 21 | Small belt pulley | BW30001605220 | 51 | Press block for rotating blade | BH11162700010 |
| 22 | Ratating shaft | BH10204100010 | 52 | Limit stop sleeve | BH10162804110 |
| 23 | Hex socket screw M12x80 | YW61128000000 | 53 | Limit stop | - |
| 24 | Check plate for storage box | - | 54 | Hex key M10 | JT10010000100 |
| 25 | Motor (1.5kW) | YM10710600300 | 55 | Hex key fixing board | - |

* means possible broken parts.

** means easy broken part. and spare backup is suggested.

Please confirm the version of manual before placing the purchase order to guarantee that the item number of the spare part is in accordance with the real object.

3. Assembly Drawing (SG-1628N)



Note: Please refer to material list 4 about the parts code.

4. Parts List (SG-1628N)

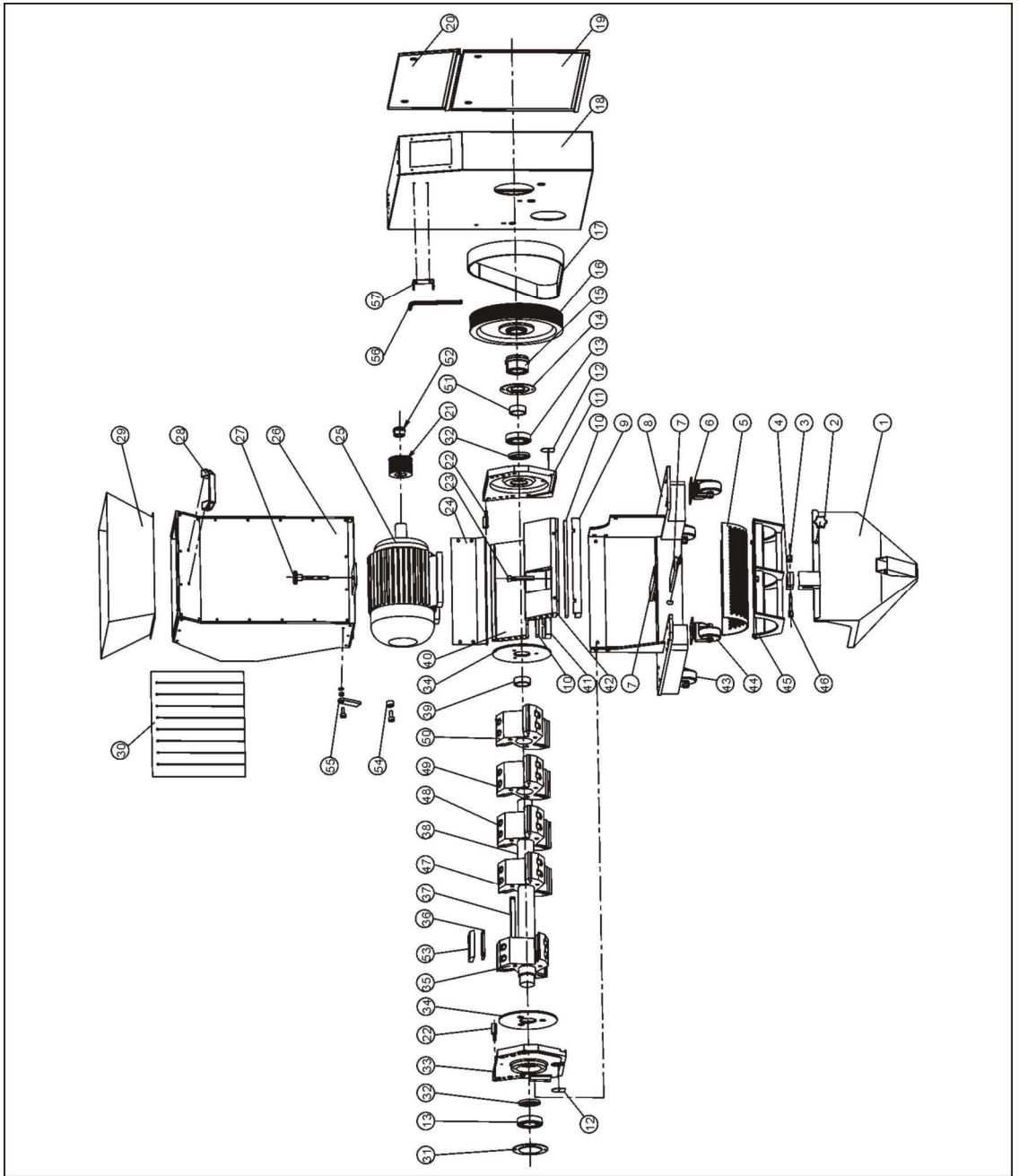
| No. | Name | Part No. | No. | Name | Part No. |
|-----|----------------------------------|---------------|---------------|----------------------------------|-----------------|
| 1 | Storage box | - | 27 | Star assembly of feeding box | BH10204202010 |
| 2 | Knob | YR40083500000 | 28 | Handle* | BW20012000140 |
| 3 | Safety switch knob | BH10024200010 | 29 | Feeding mouth | - |
| 4 | Safety switch installation board | BH10204202310 | 30 | Material fender | - |
| 5 | Screen (Φ4)** | BL50162821820 | 31 | Left bearing cover plate | - |
| | Screen (Φ5)** | BL50162860020 | 32 | Oil seal | YR80554200000 |
| | Screen (Φ6)** | BL50162821920 | 33 | Left bearing plate | BW30162804120 |
| | Screen (Φ8)** | BL50162821020 | 34 | Material fender (65Mn) | YW45162850000 |
| | Screen (Φ10)** | BL50162821120 | 35 | Blade rest (1) | BW30162811610 |
| 5 | Screen (Φ12)** | BL50162821220 | 36 | Rotating balde** | YW42162840000 |
| | 6 | Castor | YW03000300000 | 37 | Flat key 10X268 |
| 7 | Motor adjusting plate | - | 38 | Shaft | BH55162600010 |
| 8 | Base | - | 39 | Sleeve | BH10161500010 |
| 9 | Front pressure block | BH10162804010 | 40 | Back block | BH10162900010 |
| 10 | Sustain brace** | YW41162820000 | 41 | Pressure block of back block | BH10160280010 |
| 11 | Right end plate | BH10161600010 | 42 | Front block | BW30162804020 |
| 12 | Bearing cover | - | 43 | Fixed castor 3" | YW03000300300 |
| 13 | Bearing 6207DD* | YW11620700000 | 44 | Movable castor 3" | YW03000300200 |
| 14 | Right bearing cover plate | - | 45 | Screen rest | - |
| 15 | Taper sleeve 3020-35 | BW30001605320 | 46 | Safety switch installation shaft | BH10204300010 |
| 16 | Large belt wheel | BW30001605120 | 47 | Blade rest 1 | BW30001612910 |
| 17 | Poly V-belt 20PJ50 * | YW30205000000 | 48 | Blade rest 2 | BW30001613010 |
| 18 | Outer shell | - | 49 | Blade rest (2) | BW30162811710 |
| 19 | Outer cover board of shell | - | 50 | Sleeve 1 | BH10162823010 |
| 20 | Upper cover board of shell | - | 51 | Taper sleeve 1210-28 | BW30001605420 |
| 21 | Small belt pulley | BW30001605220 | 52 | Press block for rotating blade | BH11162700010 |
| 22 | Ratating shaft | BH10204100010 | 53 | Limit stop sleeve | BH10162804110 |
| 23 | Hex socket screw M12x80 | YW61128000000 | 54 | Limit stop | - |
| 24 | Check plate for storage box | - | 55 | Hex key M10 | JT10010000100 |
| 25 | Motor (2.2kW) | YM10692900000 | 56 | Hex key fixing board | - |
| 26 | Feeding box | - | | | |

* means possible broken parts.

** means easy broken part. and spare backup is suggested.

Please confirm the version of manual before placing the purchase order to guarantee that the item number of the spare part is in accordance with the real object.

5. Assembly Drawing (SG-1635N(H))



Note: Please refer to material list 6 about the parts code.

6. Parts List(SG-1635N(H))

| SG-1635N | | | | | |
|-----------|----------------------------------|---------------|-----|----------------------------------|---------------|
| No. | Name | Part No. | No. | Name | Part No. |
| 1 | Storage box | - | 27 | Star assembly of feeding box | BH10204202010 |
| 2 | Knob | YR40083500000 | 28 | Handle* | BW20012000140 |
| 3 | Safety switch knob | BH10024200010 | 29 | Feeding mouth | - |
| 4 | Safety switch installation board | BH10204202310 | 30 | Material fender | - |
| 5 | Screen (Φ4)** | BL50163521620 | 31 | Left bearing cover plate | - |
| | Screen (Φ5)** | BL50162050020 | 32 | Oil seal | YR80554200000 |
| | Screen (Φ6)** | BL50163521720 | 33 | Left bearing plate | BW30162804120 |
| | Screen (Φ8)** | BL50163521820 | 34 | Material fender (65Mn) | YW45162850000 |
| | Screen (Φ10)** | BL50163521920 | 35 | Blade rest (1) | BW30162811610 |
| | Screen (Φ12)** | BL50163521020 | 36 | Rotating balde** | YW42162840000 |
| 6 | Castor | YW03000300000 | 37 | Flat key 10X337 | BH10163510010 |
| 7 | Motor adjusting plate | - | 38 | Shaft | BH55163500010 |
| 8 | Base | - | 39 | Sleeve | BH10161500010 |
| 9 | Front pressure block | BH10163504010 | 40 | Back block | BH10163560010 |
| 10 | Sustain brace** | YW41163520000 | 41 | Pressure block of back block | BH10163550010 |
| 11 | Right end plate | BH10161600010 | 42 | Front block | BW30163504020 |
| 12 | Bearing cover | - | 43 | Fixed castor 3" | YW03000300300 |
| 13 | Bearing 6207DD* | YW11620700000 | 44 | Movable castor 3" | YW03000300200 |
| 14 | Right bearing cover plate | - | 45 | Screen rest | - |
| 15 | Taper sleeve 3020-35 | BW30001605320 | 46 | Safety switch installation shaft | BH10204300010 |
| 16 | Large belt wheel | BW30001605120 | 47 | Blade rest 1 | BW30001612910 |
| 17 | Poly V-belt 20PJ50 * | YW30205000000 | 48 | Blade rest 2 | BW30001613010 |
| 18 | Outer shell | - | 49 | Blade rest 3 | BW30001613110 |
| 19 | Outer cover board of shell | - | 50 | Blade rest (2) | BW30163511810 |
| 20 | Upper cover board of shell | - | 51 | Sleeve 1 | BH10162823010 |
| 21 | Small belt pulley | BW30001605220 | 52 | Taper sleeve 1210-28 | BW30001605420 |
| 22 | Ratating shaft | BH10204100010 | 53 | Press block for rotating blade | BH11162700010 |
| 23 | Hex socket screw M12x80 | YW61128000000 | 54 | Limit stop sleeve | BH10162804110 |
| 24 | Check plate for storage box | - | 55 | Limit stop | - |
| 25 | Motor (2.2kW) | YM10692900000 | 56 | Hex key M10 | JT10010000100 |
| 26 | Feeding box | - | 57 | Hex key fixing board | - |
| SG-1635NH | | | | | |
| No. | Name | Part No. | No. | Name | Part No. |
| 1 | Storage box | - | 27 | Star assembly of feeding box | BH10204202010 |
| 2 | Knob | YR40083500000 | 28 | Handle* | BW20012000140 |
| 3 | Safety switch knob | BH10024200010 | 29 | Feeding mouth | - |
| 4 | Safety switch installation board | BH10204202310 | 30 | Material fender | - |

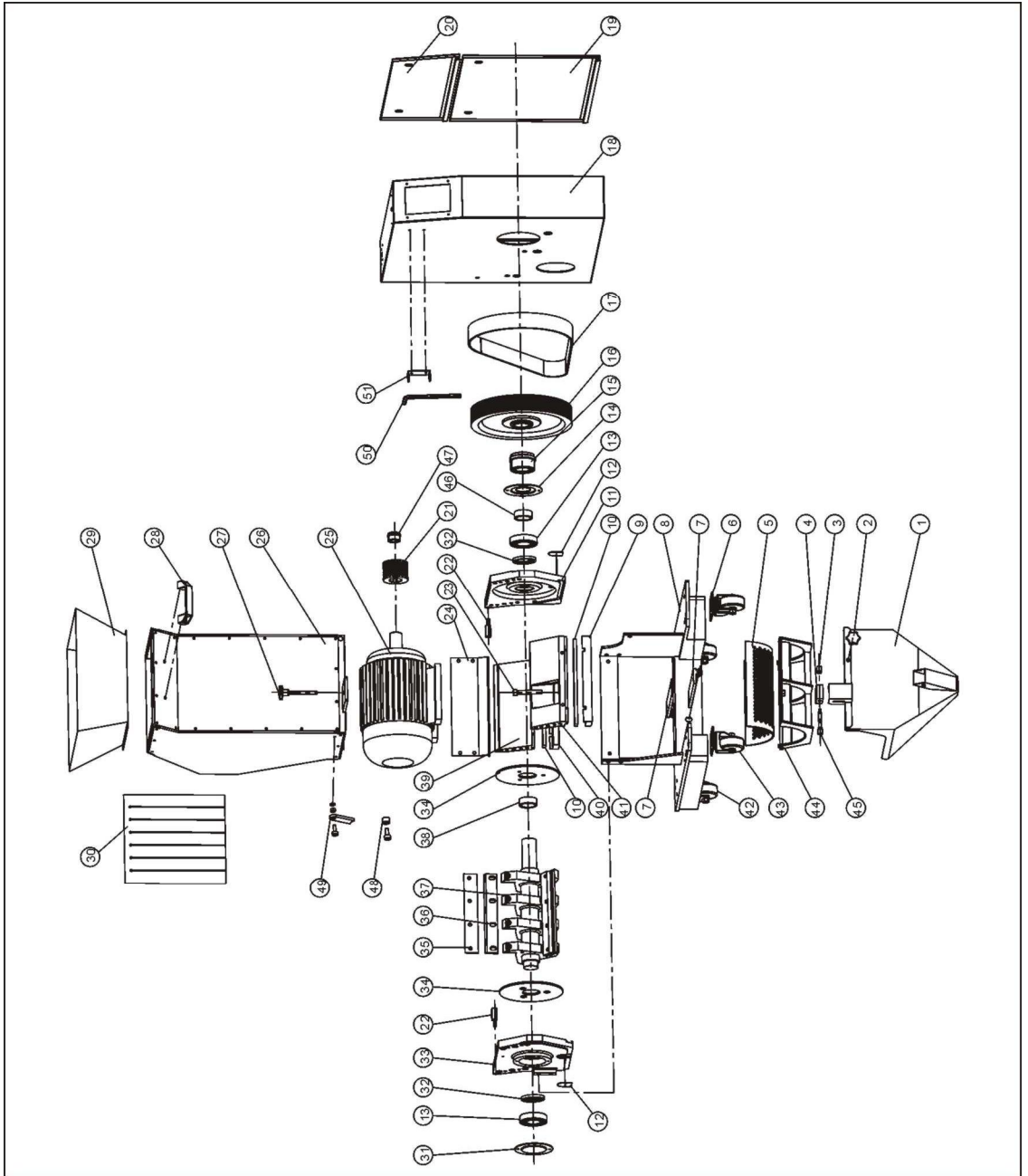
| | | | | | |
|----|-----------------------------|---------------|----|----------------------------------|---------------|
| 5 | Screen (Φ4)** | BL50163521620 | 31 | Left bearing cover plate | - |
| | Screen (Φ5)** | BL50162050020 | 32 | Oil seal | YR80554200000 |
| | Screen (Φ6)** | BL50163521720 | 33 | Left bearing plate | BW30162804120 |
| | Screen (Φ8)** | BL50163521820 | 34 | Material fender (65Mn) | YW45162850000 |
| | Screen (Φ10)** | BL50163521920 | 35 | Blade rest (1) | BW30162811610 |
| | Screen (Φ12)** | BL50163521020 | 36 | Rotating blade** | YW42162840000 |
| 6 | Castor | YW03000300000 | 37 | Flat key 10X337 | BH10163510010 |
| 7 | Motor adjusting plate | - | 38 | Shaft | BH55163500010 |
| 8 | Base | - | 39 | Sleeve | BH10161500010 |
| 9 | Front pressure block | BH10163504010 | 40 | Back block | BH10163560010 |
| 10 | Sustain brace** | YW41163520000 | 41 | Pressure block of back block | BH10163550010 |
| 11 | Right end plate | BH10161600010 | 42 | Front block | BW30163504020 |
| 12 | Bearing cover | - | 43 | Fixed castor 3" | YW03000300300 |
| 13 | Bearing 6207DD* | YW11620700000 | 44 | Movable castor 3" | YW03000300200 |
| 14 | Right bearing cover plate | - | 45 | Screen rest | - |
| 15 | Taper sleeve 3020-35 | BW30001605320 | 46 | Safety switch installation shaft | BH10204300010 |
| 16 | Large belt wheel | BW30001605120 | 47 | Blade rest 1 | BW30001612910 |
| 17 | Poly V-belt 20PJ50 * | YW30205000000 | 48 | Blade rest 2 | BW30001613010 |
| 18 | Outer shell | - | 49 | Blade rest 3 | BW30001613110 |
| 19 | Outer cover board of shell | - | 50 | Blade rest (2) | BW30163511810 |
| 20 | Upper cover board of shell | - | 51 | Sleeve 1 | BH10162823010 |
| 21 | Small belt pulley | BW30002005220 | 52 | Taper sleeve 1610-38 | BW30002005420 |
| 22 | Rotating shaft | BH10204100010 | 53 | Press block for rotating blade | BH11162700010 |
| 23 | Hex socket screw M12x80 | YW61128000000 | 54 | Limit stop sleeve | BH10162804110 |
| 24 | Check plate for storage box | - | 55 | Limit stop | - |
| 25 | Motor (3.0kW) | YM10361900000 | 56 | Hex key M10 | JT10010000100 |
| 26 | Feeding box | - | 57 | Hex key fixing board | - |

* means possible broken parts.

** means easy broken part. and spare backup is suggested.

Please confirm the version of manual before placing the purchase order to guarantee that the item number of the spare part is in accordance with the real object.

7. Assembly Drawing (SG-2028N(H))



Note: Please refer to material list 8 about the parts code.

8. Parts List (SG-2028N(H))

| SG-2028N | | | | | |
|-----------|----------------------------------|---------------|-----|-----------------------------------|---------------|
| No. | Name | Part No. | No. | Name | Part No. |
| 1 | Material collection case | - | 24 | Check plate for storage box | - |
| 2 | Handle | YR40083500000 | 25 | Motor (2.2kW) | YM10692900000 |
| 3 | Safety switch handle | BH10024200010 | 26 | Feeding box | - |
| 4 | Safety switch installation board | BH10204202310 | 27 | Star assembly of feeding box | BH10204202010 |
| 5 | Screen (Φ4)** | BL50202810620 | 28 | Handle * | BW20012000140 |
| | Screen (Φ5)** | BL50202810720 | 29 | Feeding mouth | - |
| | Screen (Φ6)** | BL55202850020 | 30 | Material fender | - |
| | Screen (Φ7)** | BL50202810820 | 31 | Cover board of left bearing plate | - |
| | Screen (Φ8)** | BL50202810920 | 32 | Oil seal | YR80557200000 |
| | Screen (Φ10)** | BL50202811020 | 33 | Left bearing plate | BW30204204120 |
| | Screen (Φ12)** | BL50202811120 | 34 | Material fender (65Mn) | BH11020020010 |
| 6 | Castor with brake 3" | YW03000300000 | 35 | Pressure block of balde | BH11202850010 |
| 7 | Adjusting board for motor | - | 36 | Rotating blade** | YW43202800000 |
| 8 | Motor base | - | 37 | Blade rest | BH11002028010 |
| 9 | Pressure block of front block | BW30202813510 | 38 | Sleeve | BH10204500010 |
| 10 | Fixed balde** | YW41202800600 | 39 | Pressure block | BW30202813610 |
| 11 | Right bearing holder | BH10204600010 | 40 | Pressure block of back block | BW30202813710 |
| 12 | Cover board | - | 41 | Front block | BW30202813410 |
| 13 | Bearing 6209DD* | YW11620900000 | 42 | Fixed castor 3" | YW03000300300 |
| 14 | Right bearing cover plate | - | 43 | Movable castor 3" | YW03000300200 |
| 15 | Taper sleeve 3020-45 | BW30002005520 | 44 | Screen rest | - |
| 16 | Large belt wheel | BW30001605120 | 45 | Safety switch installation shaft | BH10204300010 |
| 17 | Poly V-belt 20PJ53 * | YR00532000000 | 46 | Sleeve 1 | BH10204203010 |
| 18 | Out housing | - | 47 | Taper sleeve 1610-28 | BW30002005320 |
| 19 | Lower cover board of shell | - | 48 | Limit stop sleeve | BH10162804110 |
| 20 | Upper cpver board of shell | - | 49 | Limit stop | - |
| 21 | Small belt pulley | BW30002005220 | 50 | Hex key M10 | JT10010000100 |
| 22 | Rotating shaft | BH10204100010 | 51 | Hex key fixing board | - |
| 23 | Hex socket screw M12x80 | YW61128000000 | | | |
| SG-2028NH | | | | | |
| No. | Name | Part No. | No. | Name | Part No. |
| 1 | Material collection case | - | 24 | Check plate for storage box | - |
| 2 | Handle | YR40083500000 | 25 | Motor (3.0kW) | YM10361900000 |
| 3 | Safety switch handle | BH10024200010 | 26 | Feeding box | - |
| 4 | Safety switch installation board | BH10204202310 | 27 | Star assembly of feeding box | BH10204202010 |
| 5 | Screen (Φ4)** | BL50202810620 | 28 | Handle * | BW20012000140 |
| | Screen (Φ5)** | BL50202810720 | 29 | Feeding mouth | - |

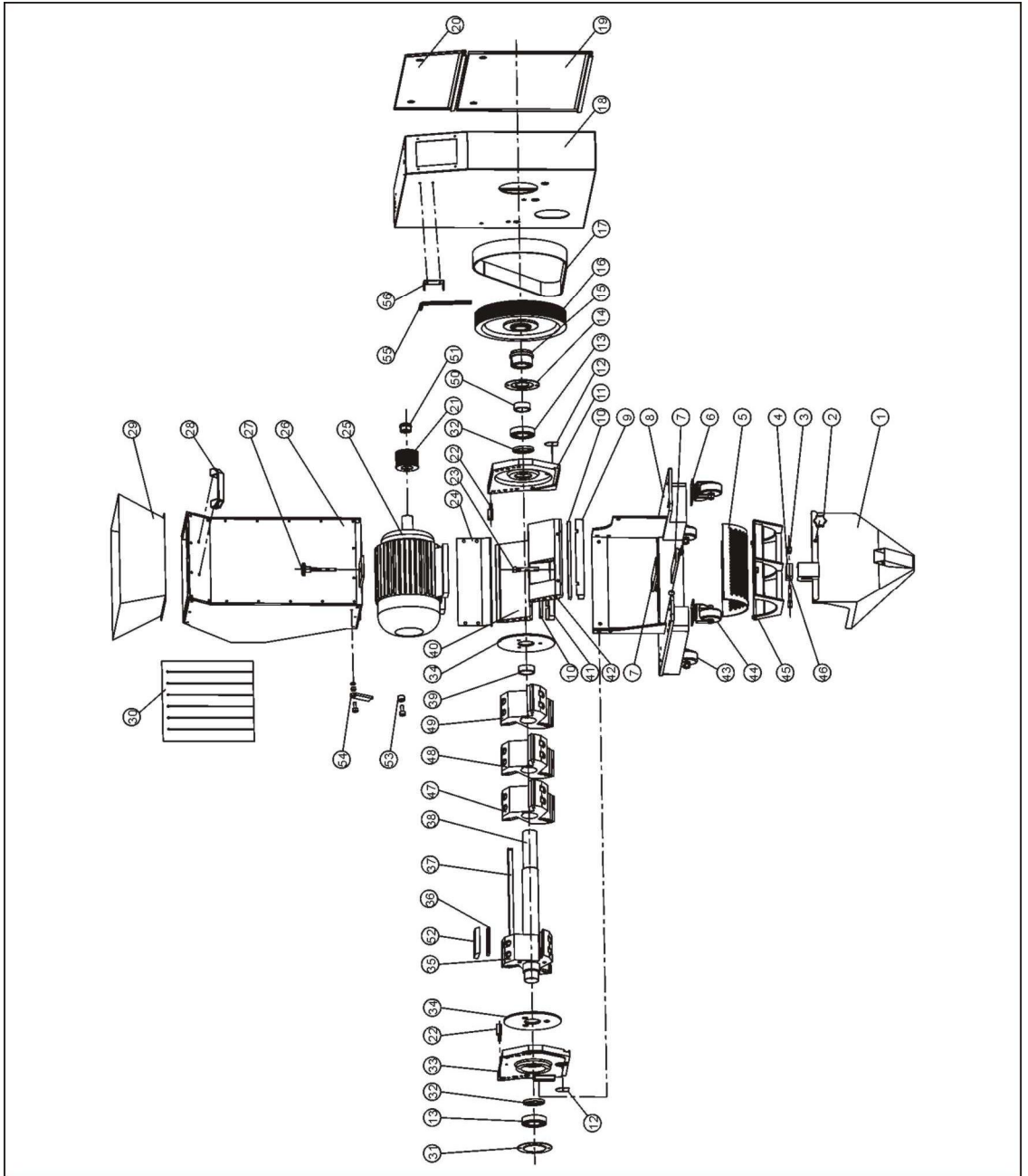
| | | | | | |
|----|-------------------------------|---------------|----|-----------------------------------|---------------|
| | Screen (Φ6)** | BL55202850020 | 30 | Material fender | - |
| | Screen (Φ7)** | BL50202810820 | 31 | Cover board of left bearing plate | - |
| | Screen (Φ8)** | BL50202810920 | 32 | Oil seal | YR80557200000 |
| | Screen (Φ10)** | BL50202811020 | 33 | Left bearing plate | BW30204204120 |
| | Screen (Φ12)** | BL50202811120 | 34 | Material fender (65Mn) | BH11020020010 |
| 6 | Castor with brake 3" | YW03000300000 | 35 | Pressure block of balde | BH11202850010 |
| 7 | Adjusting board for motor | - | 36 | Rotating blade** | YW43202800000 |
| 8 | Motor base | - | 37 | Blade rest | BH11002028010 |
| 9 | Pressure block of front block | BW30202813510 | 38 | Sleeve | BH10204500010 |
| 10 | Fixed balde** | YW41202800600 | 39 | Pressure block | BW30202813610 |
| 11 | Right bearing holder | BH10204600010 | 40 | Pressure block of back block | BW30202813710 |
| 12 | Cover board | - | 41 | Front block | BW30202813410 |
| 13 | Bearing 6209DD* | YW11620900000 | 42 | Fixed castor 3" | YW03000300300 |
| 14 | Right bearing cover plate | - | 43 | Movable castor 3" | YW03000300200 |
| 15 | Taper sleeve 3020-45 | BW30002005520 | 44 | Screen rest | - |
| 16 | Large belt wheel | BW30001605120 | 45 | Safety switch installation shaft | BH10204300010 |
| 17 | Poly V-belt 20PJ53 * | YR00532000000 | 46 | Sleeve 1 | BH10204203010 |
| 18 | Out housing | - | 47 | Taper sleeve 1610-38 | BW30002005420 |
| 19 | Lower cover board of shell | - | 48 | Limit stop sleeve | BH10162804110 |
| 20 | Upper cpver board of shell | - | 49 | Limit stop | - |
| 21 | Small belt pulley | BW30001605220 | 50 | Hex key M10 | JT10010000100 |
| 22 | Rotating shaft | BH10204100010 | 51 | Hex key fixing board | - |
| 23 | Hex socket screw M12x80 | YW61128000000 | | | |

* means possible broken parts.

** means easy broken part. and spare backup is suggested.

Please confirm the version of manual before placing the purchase order to guarantee that the item number of the spare part is in accordance with the real object.

9. Assembly Drawing (SG-2028NC(H))



Note: Please refer to material list 10 about the parts code.

10. Parts List (SG-2028NC(H))

| SG-2028NC | | | | | |
|------------|----------------------------------|---------------|-----|-----------------------------------|---------------|
| No. | Name | Part No. | No. | Name | Part No. |
| 1 | Material collection case | - | 26 | Feeding box | - |
| 2 | Handle | YR40083500000 | 27 | Star assembly of feeding box | BH10204202010 |
| 3 | Safety switch handle | BH10024200010 | 28 | Handle * | BW20012000140 |
| 4 | Safety switch installation board | BH10204202310 | 29 | Feeding mouth | - |
| 5 | Screen (Φ4)** | BL50202810620 | 30 | Material fender | - |
| | Screen (Φ5)** | BL50202810720 | 31 | Cover board of left bearing plate | - |
| | Screen (Φ6)** | BL55202850020 | 32 | Oil seal | YR80557200000 |
| | Screen (Φ7)** | BL50202810820 | 33 | Left bearing plate | BW30204204120 |
| | Screen (Φ8)** | BL50202810920 | 34 | Material fender (65Mn) | BH11020020010 |
| | Screen (Φ10)** | BL50202811020 | 35 | Blade rest 1 | BW30002012910 |
| | Screen (Φ12)** | BL50202811120 | 36 | Rotating blade** | BW41200100010 |
| 6 | Castor with brake 3" | YW03000300000 | 37 | Flat key 14X267 | BH11202800310 |
| 7 | Adjusting board for motor | - | 38 | Shaft | BH11202810010 |
| 8 | Motor base | - | 39 | Sleeve | BH10204500010 |
| 9 | Pressure block of front block | BW30202813510 | 40 | Pressure block | BW30202813610 |
| 10 | Fixed balde** | YW41202801600 | 41 | Pressure block of back block | BW30202813710 |
| 11 | Right bearing holder | BH10204600010 | 42 | Front block | BW30202813410 |
| 12 | Cover board | - | 43 | Fixed castor 3" | BW30202813610 |
| 13 | Bearing 6209DD* | YW11620900000 | 44 | Movable castor 3" | BW30202813710 |
| 14 | Right bearing cover plate | - | 45 | Screen rest | BW30202813410 |
| 15 | Taper sleeve 3020-45 | BW30002005520 | 46 | Safety switch installation shaft | BW30202813610 |
| 16 | Large belt wheel | BW30001605120 | 47 | Blade rest 2 | BW30202813710 |
| 17 | Poly V-belt 20PJ53 * | YR00532000000 | 48 | Blade rest 3 | BW30202813410 |
| 18 | Out housing | - | 49 | Blade rest 4 | BW30202813610 |
| 19 | Lower cover board of shell | - | 50 | Sleeve 1 | BH10204203010 |
| 20 | Upper cpver board of shell | - | 51 | Taper sleeve 1610-28 | BW30002005320 |
| 21 | Small belt pulley | BW30002005220 | 52 | Press block for rotating blade | BH10235200010 |
| 22 | Rotating shaft | BH10204100010 | 53 | Limit stop sleeve | BH10162804110 |
| 23 | Hex socket screw M12x80 | YW61128000000 | 54 | Limit stop | - |
| 24 | Check plate for storage box | - | 55 | Hex key M10 | JT10010000100 |
| 25 | Motor (2.2kW) | YM10692900000 | 56 | Hex key fixing board | - |
| SG-2028NCH | | | | | |
| No. | Name | Part No. | No. | Name | Part No. |
| 1 | Material collection case | - | 26 | Feeding box | - |
| 2 | Handle | YR40083500000 | 27 | Star assembly of feeding box | BH10204202010 |
| 3 | Safety switch handle | BH10024200010 | 28 | Handle * | BW20012000140 |
| 4 | Safety switch installation board | BH10204202310 | 29 | Feeding mouth | - |

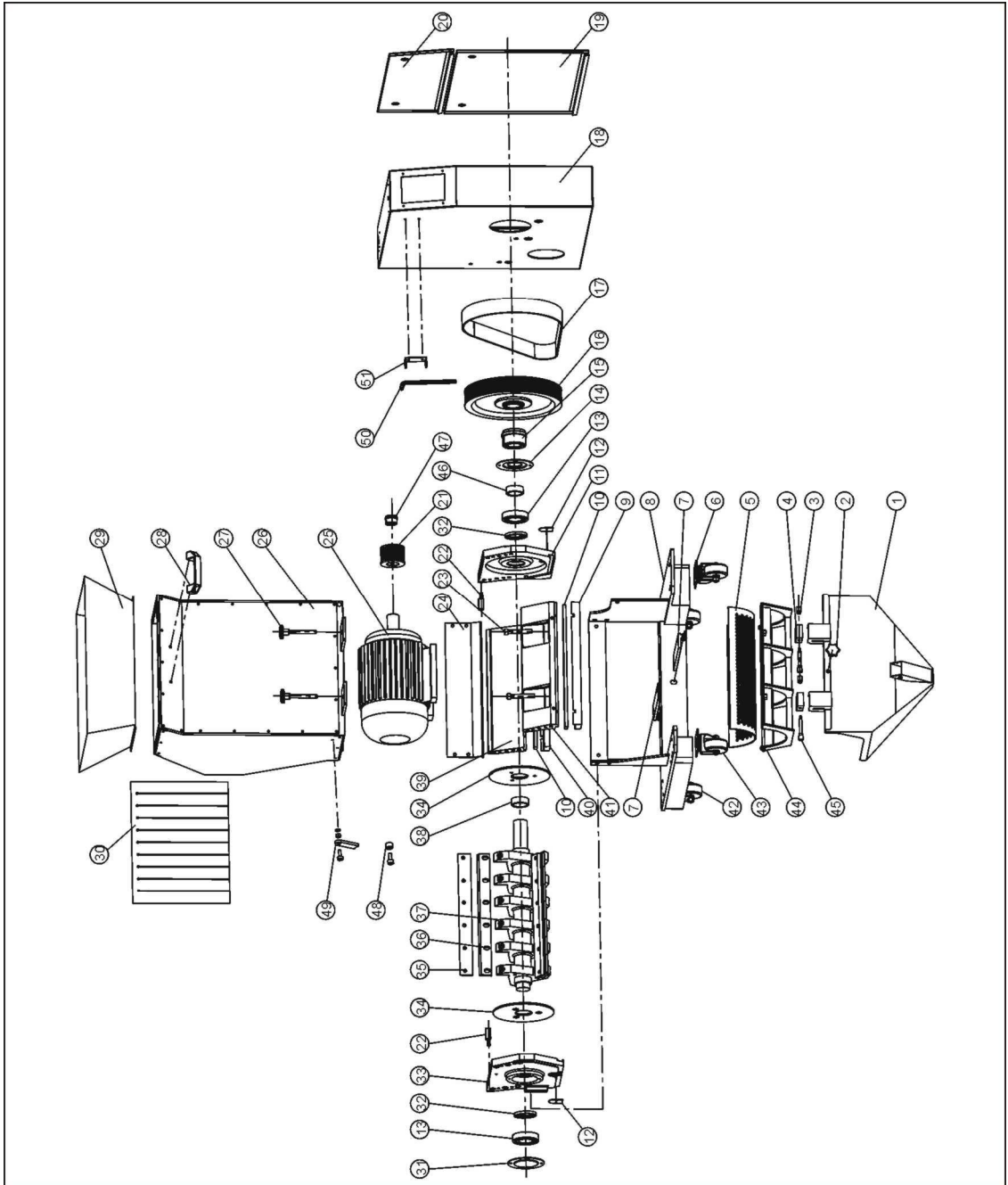
| | | | | | |
|----|-------------------------------|---------------|----|-----------------------------------|---------------|
| 5 | Screen (Φ4)** | BL50202810620 | 30 | Material fender | - |
| | Screen (Φ5)** | BL50202810720 | 31 | Cover board of left bearing plate | - |
| | Screen (Φ6)** | BL55202850020 | 32 | Oil seal | YR80557200000 |
| | Screen (Φ7)** | BL50202810820 | 33 | Left bearing plate | BW30204204120 |
| | Screen (Φ8)** | BL50202810920 | 34 | Material fender (65Mn) | BH11020020010 |
| | Screen (Φ10)** | BL50202811020 | 35 | Blade rest 1 | BW30002012910 |
| | Screen (Φ12)** | BL50202811120 | 36 | Rotating blade** | BW41200100010 |
| 6 | Castor with brake 3" | YW03000300000 | 37 | Flat key 14X267 | BH11202800310 |
| 7 | Adjusting board for motor | - | 38 | Shaft | BH11202810010 |
| 8 | Motor base | - | 39 | Sleeve | BH10204500010 |
| 9 | Pressure block of front block | BW30202813510 | 40 | Pressure block | BW30202813610 |
| 10 | Fixed balde** | YW41202801600 | 41 | Pressure block of back block | BW30202813710 |
| 11 | Right bearing holder | BH10204600010 | 42 | Front block | BW30202813410 |
| 12 | Cover board | - | 43 | Fixed castor 3" | YW03000300300 |
| 13 | Bearing 6209DD* | YW11620900000 | 44 | Movable castor 3" | YW03000300200 |
| 14 | Right bearing cover plate | - | 45 | Screen rest | - |
| 15 | Taper sleeve 3020-45 | BW30002005520 | 46 | Safety switch installation shaft | BH10204300010 |
| 16 | Large belt wheel | BW30001605120 | 47 | Blade rest 2 | BW30002013010 |
| 17 | Poly V-belt 20PJ53 * | YR00532000000 | 48 | Blade rest 3 | BW30002013110 |
| 18 | Out housing | - | 49 | Blade rest 4 | BW30202813210 |
| 19 | Lower cover board of shell | - | 50 | Sleeve 1 | BH10204203010 |
| 20 | Upper cpver board of shell | - | 51 | Taper sleeve 1610-38 | BW30002005420 |
| 21 | Small belt pulley | BW30002005220 | 52 | Press block for rotating blade | BH10235200010 |
| 22 | Rotating shaft | BH10204100010 | 53 | Limit stop sleeve | BH10162804110 |
| 23 | Hex socket screw M12x80 | YW61128000000 | 54 | Limit stop | - |
| 24 | Check plate for storage box | - | 55 | Hex key M10 | JT10010000100 |
| 25 | Motor (3.0kW) | YM10361900000 | 56 | Hex key fixing board | - |

* means possible broken parts.

** means easy broken part. and spare backup is suggested.

Please confirm the version of manual before placing the purchase order to guarantee that the item number of the spare part is in accordance with the real object.

11. Assembly Drawing (SG-2042N(H))



Note: Please refer to material list 12 about the parts code.

12. Parts List (SG-2042N(H))

| SG-2042N | | | | | |
|-----------|----------------------------------|---------------|-----|-----------------------------------|---------------|
| No. | Name | Part No. | No. | Name | Part No. |
| 1 | Material collection case | - | 24 | Check plate for storage box | - |
| 2 | Handle | YR40083500000 | 25 | Motor (3.0kW) | YM10361900000 |
| 3 | Safety switch handle | BH10024200010 | 26 | Feeding box | - |
| 4 | Safety switch installation board | BH10204202310 | 27 | Star assembly of feeding box | BH10204202010 |
| 5 | Screen (Φ4)** | BL50202811620 | 28 | Handle * | BW20012000140 |
| | Screen (Φ5)** | BL50202811720 | 29 | Feeding mouth | - |
| | Screen (Φ6)** | BL55204260020 | 30 | Material fender | - |
| | Screen (Φ7)** | BL50202811820 | 31 | Cover board of left bearing plate | - |
| | Screen (Φ8)** | BL50202811920 | 32 | Oil seal | YR80557200000 |
| | Screen (Φ10)** | BL50202812020 | 33 | Left bearing plate | BW30204204120 |
| | Screen (Φ12)** | BL50202812120 | 34 | Material fender (65Mn) | BH11020020010 |
| 6 | Castor with brake 3" | YW03000300000 | 35 | Pressure block of balde | BH11204250010 |
| 7 | Adjusting board for motor | - | 36 | Rotating blade** | YW43204200000 |
| 8 | Motor base | - | 37 | Blade rest | BH11204260010 |
| 9 | Pressure block of front block | BW30204213510 | 38 | Sleeve | BH10204500010 |
| 10 | Fixed balde** | YW41204200600 | 39 | Pressure block | BW30204213610 |
| 11 | Right bearing holder | BH10204600010 | 40 | Pressure block of back block | BW30204213710 |
| 12 | Cover board | - | 41 | Front block | BW30204213410 |
| 13 | Bearing 6209DD* | YW11620900000 | 42 | Fixed castor 3" | YW03000300300 |
| 14 | Right bearing cover plate | - | 43 | Movable castor 3" | YW03000300200 |
| 15 | Taper sleeve 3020-45 | BW30002005520 | 44 | Screen rest | - |
| 16 | Large belt wheel | BW30001605120 | 45 | Safety switch installation shaft | BH10204300010 |
| 17 | Poly V-belt 20PJ53 * | YW30253300000 | 46 | Sleeve 1 | BH10204203010 |
| 18 | Out housing | - | 47 | Taper sleeve 1610-38 | BW30002005420 |
| 19 | Lower cover board of shell | - | 48 | Limit stop sleeve | BH10162804110 |
| 20 | Upper cpver board of shell | - | 49 | Limit stop | - |
| 21 | Small belt pulley | BW30002005220 | 50 | Hex key M10 | JT10010000100 |
| 22 | Rotating shaft | BH10204100010 | 51 | Hex key fixing board | - |
| 23 | Hex socket screw M12x80 | YW61128000000 | | | |
| SG-2042NH | | | | | |
| No. | Name | Part No. | No. | Name | Part No. |
| 1 | Material collection case | - | 24 | Check plate for storage box | - |
| 2 | Handle | YR40083500000 | 25 | Motor (4.0kW) | YM10113300000 |
| 3 | Safety switch handle | BH10024200010 | 26 | Feeding box | - |
| 4 | Safety switch installation board | BH10204202310 | 27 | Star assembly of feeding box | BH10204202010 |
| 5 | Screen (Φ4)** | BL50202811620 | 28 | Handle * | BW20012000140 |
| | Screen (Φ5)** | BL50202811720 | 29 | Feeding mouth | - |

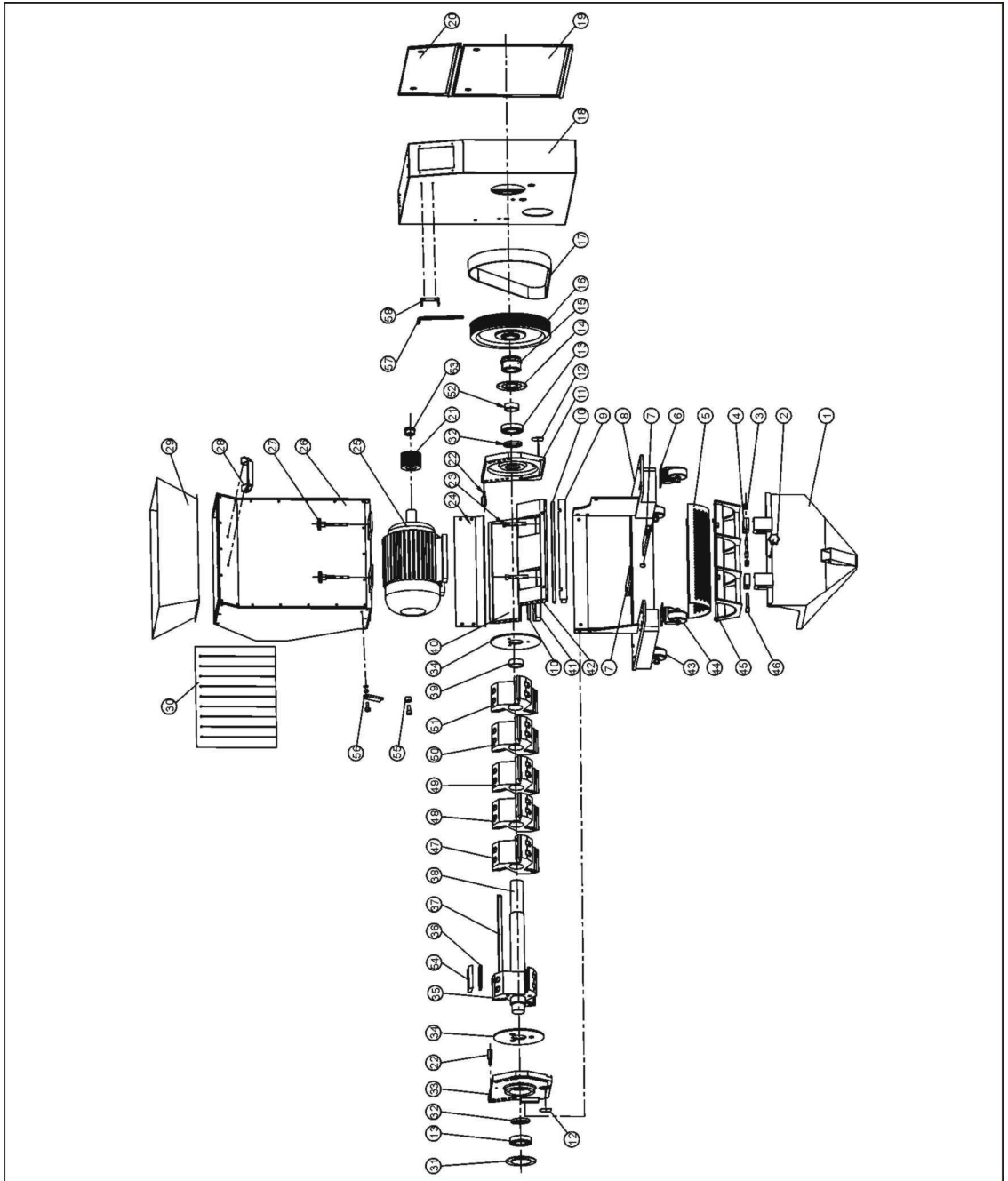
| | | | | | |
|----|-------------------------------|---------------|----|-----------------------------------|---------------|
| | Screen (Φ6)** | BL55204260020 | 30 | Material fender | - |
| | Screen (Φ7)** | BL50202811820 | 31 | Cover board of left bearing plate | - |
| | Screen (Φ8)** | BL50202811920 | 32 | Oil seal | YR80557200000 |
| | Screen (Φ10)** | BL50202812020 | 33 | Left bearing plate | BW30204204120 |
| | Screen (Φ12)** | BL50202812120 | 34 | Material fender (65Mn) | BH11020020010 |
| 6 | Castor with brake 3" | YW03000300000 | 35 | Pressure block of balde | BH11204250010 |
| 7 | Adjusting board for motor | - | 36 | Rotating blade** | YW43204200000 |
| 8 | Motor base | - | 37 | Blade rest | BH11204260010 |
| 9 | Pressure block of front block | BW30204213510 | 38 | Sleeve | BH10204500010 |
| 10 | Fixed balde** | YW41204200600 | 39 | Pressure block | BW30204213610 |
| 11 | Right bearing holder | BH10204600010 | 40 | Pressure block of back block | BW30204213710 |
| 12 | Cover board | - | 41 | Front block | BW30204213410 |
| 13 | Bearing 6209DD* | YW11620900000 | 42 | Fixed castor 3" | YW03000300300 |
| 14 | Right bearing cover plate | - | 43 | Movable castor 3" | YW03000300200 |
| 15 | Taper sleeve 3020-45 | BW30002005520 | 44 | Screen rest | - |
| 16 | Large belt wheel | BW30001605120 | 45 | Safety switch installation shaft | BH10204300010 |
| 17 | Poly V-belt 20PJ53 * | YW30253300000 | 46 | Sleeve 1 | BH10204203010 |
| 18 | Out housing | - | 47 | Taper sleeve 1610-38 | BW30002005420 |
| 19 | Lower cover board of shell | - | 48 | Limit stop sleeve | BH10162804110 |
| 20 | Upper cpver board of shell | - | 49 | Limit stop | - |
| 21 | Small belt pulley | BW30002005220 | 50 | Hex key M10 | JT10010000100 |
| 22 | Rotating shaft | BH10204100010 | 51 | Hex key fixing board | - |
| 23 | Hex socket screw M12x80 | YW61128000000 | | | |

* means possible broken parts.

** means easy broken part. and spare backup is suggested.

Please confirm the version of manual before placing the purchase order to guarantee that the item number of the spare part is in accordance with the real object.

13. Assembly Drawing (SG-2042NC(H))



Note: Please refer to material list 14 about the parts code.

14. Parts List (SG-2042NC(H))

| SG-2042NC | | | | | |
|------------|----------------------------------|---------------|-----|-----------------------------------|---------------|
| No. | Name | Part No. | No. | Name | Part No. |
| 1 | Material collection case | - | 27 | Star assembly of feeding box | BH10204202010 |
| 2 | Handle | YR40083500000 | 28 | Handle * | BW20012000140 |
| 3 | Safety switch handle | BH10024200010 | 29 | Feeding mouth | - |
| 4 | Safety switch installation board | BH10204202310 | 30 | Material fender | - |
| 5 | Screen (Φ4)** | BL50202811620 | 31 | Cover board of left bearing plate | - |
| | Screen (Φ5)** | BL50202811720 | 32 | Oil seal | YR80557200000 |
| | Screen (Φ6)** | BL55204260020 | 33 | Left bearing plate | BW30204204120 |
| | Screen (Φ7)** | BL50202811820 | 34 | Material fender (65Mn) | BH11020020010 |
| | Screen (Φ8)** | BL50202811920 | 35 | Blade rest 1 | BW30002012910 |
| | Screen (Φ10)** | BL50202812020 | 36 | Rotating blade** | BW41200100010 |
| | Screen (Φ12)** | BL50202812120 | 37 | Flat key 14X267 | BH11204200510 |
| 6 | Castor with brake 3" | YW03000300000 | 38 | Shaft | BH11204210110 |
| 7 | Adjusting board for motor | - | 39 | Sleeve | BH10204500010 |
| 8 | Motor base | - | 40 | Pressure block | BW30204213610 |
| 9 | Pressure block of front block | BW30204213510 | 41 | Pressure block of back block | BW30204213710 |
| 10 | Fixed balde** | YW41204201700 | 42 | Front block | BW30204213410 |
| 11 | Right bearing holder | BH10204600010 | 43 | Fixed castor 3" | YW03000300300 |
| 12 | Cover board | - | 44 | Movable castor 3" | YW03000300200 |
| 13 | Bearing 6209DD* | YW11620900000 | 45 | Screen rest | - |
| 14 | Right bearing cover plate | - | 46 | Safety switch installation shaft | BH10204300010 |
| 15 | Taper sleeve 3020-45 | BW30002005520 | 47 | Blade rest 2 | BW30002013010 |
| 16 | Large belt wheel | BW30001605120 | 48 | Blade rest 3 | BW30002013110 |
| 17 | Poly V-belt 20PJ53 * | YW30253300000 | 49 | Blade rest 4 | BW30204212910 |
| 18 | Out housing | - | 50 | Blade rest 5 | BW30204213010 |
| 19 | Lower cover board of shell | - | 51 | Blade rest 6 | BW30204213110 |
| 20 | Upper cpver board of shell | - | 52 | Sleeve 1 | BH10204203010 |
| 21 | Small belt pulley | BW30002005220 | 53 | Taper sleeve 1610-38 | BW30002005420 |
| 22 | Rotating shaft | BH10204100010 | 54 | Press block for rotating blade | BH10235200010 |
| 23 | Star assembly of screen | YW61128000000 | 55 | Limit stop sleeve | BH10162804110 |
| 24 | Check plate for storage box | - | 56 | Limit stop | - |
| 25 | Motor (3.0kW) | YM10361900000 | 57 | Hex key M10 | JT10010000100 |
| 26 | Feeding box | - | 58 | Hex key fixing board | - |
| SG-2042NCH | | | | | |
| No. | Name | Part No. | No. | Name | Part No. |
| 1 | Material collection case | - | 27 | Star assembly of feeding box | BH10204202010 |
| 2 | Handle | YR40083500000 | 28 | Handle * | BW20012000140 |
| 3 | Safety switch handle | BH10024200010 | 29 | Feeding mouth | - |

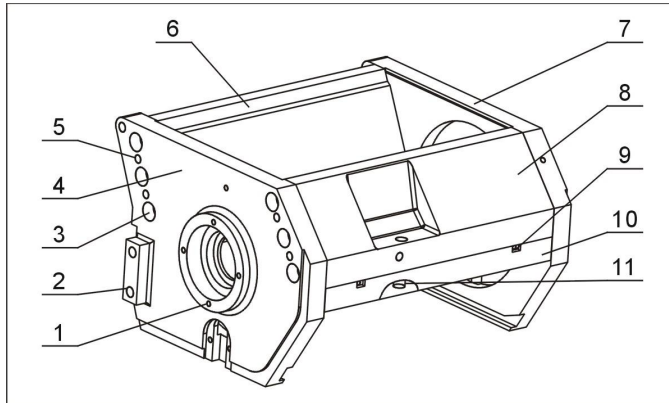
| | | | | | |
|----|----------------------------------|---------------|----|-----------------------------------|---------------|
| 4 | Safety switch installation board | BH10204202310 | 30 | Material fender | - |
| 5 | Screen (Φ4)** | BL50202811620 | 31 | Cover board of left bearing plate | - |
| | Screen (Φ5)** | BL50202811720 | 32 | Oil seal | YR80557200000 |
| | Screen (Φ6)** | BL55204260020 | 33 | Left bearing plate | BW30204204120 |
| | Screen (Φ7)** | BL50202811820 | 34 | Material fender (65Mn) | BH11020020010 |
| | Screen (Φ8)** | BL50202811920 | 35 | Blade rest 1 | BW30002012910 |
| | Screen (Φ10)** | BL50202812020 | 36 | Rotating blade** | BW41200100010 |
| | Screen (Φ12)** | BL50202812120 | 37 | Flat key 14X267 | BH11204200510 |
| 6 | Castor with brake 3” | YW03000300000 | 38 | Shaft | BH11204210110 |
| 7 | Adjusting board for motor | - | 39 | Sleeve | BH10204500010 |
| 8 | Motor base | - | 40 | Pressure block | BW30204213610 |
| 9 | Pressure block of front block | BW30204213510 | 41 | Pressure block of back block | BW30204213710 |
| 10 | Fixed balde** | YW41204201700 | 42 | Front block | BW30204213410 |
| 11 | Right bearing holder | BH10204600010 | 43 | Fixed castor 3” | YW03000300300 |
| 12 | Cover board | - | 44 | Movable castor 3” | YW03000300200 |
| 13 | Bearing 6209DD* | YW11620900000 | 45 | Screen rest | - |
| 14 | Right bearing cover plate | - | 46 | Safety switch installation shaft | BH10204300010 |
| 15 | Taper sleeve 3020-45 | BW30002005520 | 47 | Blade rest 2 | BW30002013010 |
| 16 | Large belt wheel | BW30001605120 | 48 | Blade rest 3 | BW30002013110 |
| 17 | Poly V-belt 20PJ53 * | YW30253300000 | 49 | Blade rest 4 | BW30204212910 |
| 18 | Out housing | - | 50 | Blade rest 5 | BW30204213010 |
| 19 | Lower cover board of shell | - | 51 | Blade rest 6 | BW30204213110 |
| 20 | Upper cpver board of shell | - | 52 | Sleeve 1 | BH10204203010 |
| 21 | Small belt pulley | BW30002005220 | 53 | Taper sleeve 1610-38 | BW30002005420 |
| 22 | Rotating shaft | BH10204100010 | 54 | Press block for rotating blade | BH10235200010 |
| 23 | Star assembly of screen | YW61128000000 | 55 | Limit stop sleeve | BH10162804110 |
| 24 | Check plate for storage box | - | 56 | Limit stop | - |
| 25 | Motor (4.0kW) | YM10113300000 | 57 | Hex key M10 | JT10010000100 |
| 26 | Feeding box | - | 58 | Hex key fixing board | - |

* means possible broken parts.

** means easy broken part. and spare backup is suggested.

Please confirm the version of manual before placing the purchase order to guarantee that the item number of the spare part is in accordance with the real object.

15. Cutting Chamber

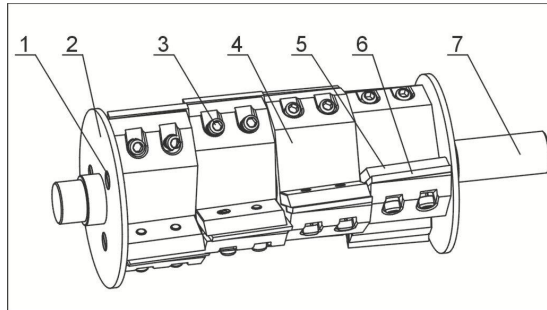


Note: Please refer to material list 16 about the parts code.

16. Cutting Chamber Parts List

| No. | Name | Quantity |
|-----|---|----------|
| 1 | Cross socket head cap screw M5×10 | 12 |
| 2 | Inner hexagonal column bolt M10×20 | 5 |
| 3 | Inner hexagonal column bolt M10×35 | 12 |
| 4 | Left bearing holder | 1 |
| 5 | Flexible column pin 8×35 | 8 |
| 6 | Back block | 1 |
| 7 | Right bearing holder | 1 |
| 8 | Front block | 1 |
| 9 | Inner hexagonal set screw M5×16 (SG-20N) | 4 |
| | Inner hexagonal set screw M4×16 (SG-16N) | 4 |
| 10 | Pressure block of front block | 1 |
| 11 | Inner hexagonal column bolt M10×25 (SG-20N) | 6-8 |
| | Inner hexagonal column bolt M8×25 (SG-16N) | 6-8 |

17. Staggered Blade Rest

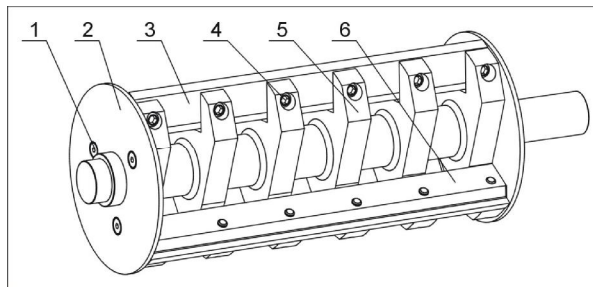


Note: Please refer to material list 18 about the parts code.

18. Staggered Blade Rest Parts List

| No. | Name | Quantity |
|-----|--|----------|
| 1 | Inner hexagonal countersunk bolt M8×12 | 6 |
| 2 | Material fender | 2 |
| 3 | Inner hexagon cylindrical screw M8×30 | 18-24-30 |
| 4 | Blade rest | 3-4-5 |
| 5 | Blade fastener | 9-12-15 |
| 6 | Rrotating blade | 9-12-15 |
| 7 | Main shaft | 1 |

19. Paddle Blade Rest

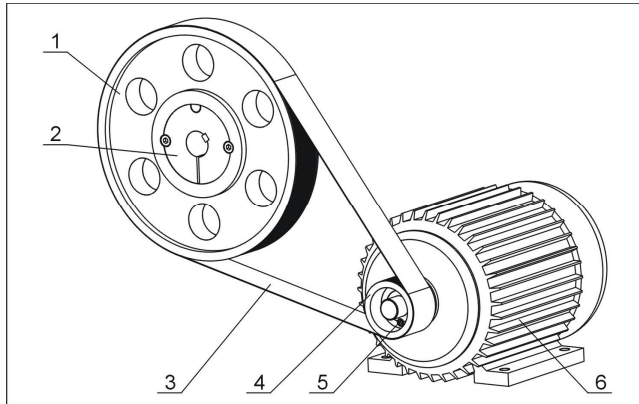


Note: Please refer to material list 20 about the parts code.

20. Paddle Blade Rest Parts List

| No. | Name | Quantity |
|-----|--|----------|
| 1 | Inner hexagonal countersunk bolt M8×12 | 6 |
| 2 | Material fender | 2 |
| 3 | Rotating blade | 3 |
| 4 | Inner hexagon cylindrical screw M10×35 | 12-18 |
| 5 | Main shaft | 1 |
| 6 | Blade pressing plate | 3 |

21. Transmission Parts

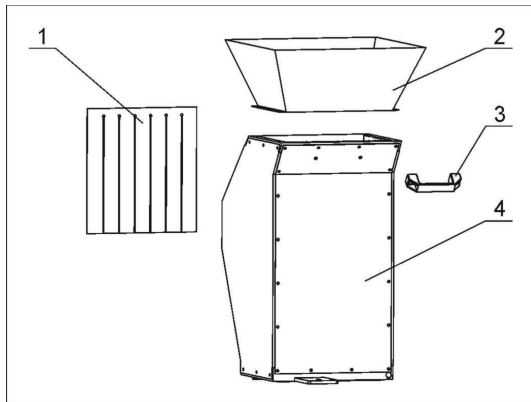


Note: Please refer to material list 22 about the parts code.

22. Transmission Parts Parts List

| No. | Name | Quantity |
|-----|---------------------------|----------|
| 1 | Big belt pulley | 1 |
| 2 | Taper sleeve | 1 |
| 3 | V belt 20 PJ 53" (SG-20N) | 1 |
| | V belt 20 PJ 50" (SG-16N) | 1 |
| 4 | Motor belt pulley | 1 |
| 5 | Taper sleeve | 1 |
| 6 | Motor | 1 |

23. Feed Port, Feed Box and Material Check Plate

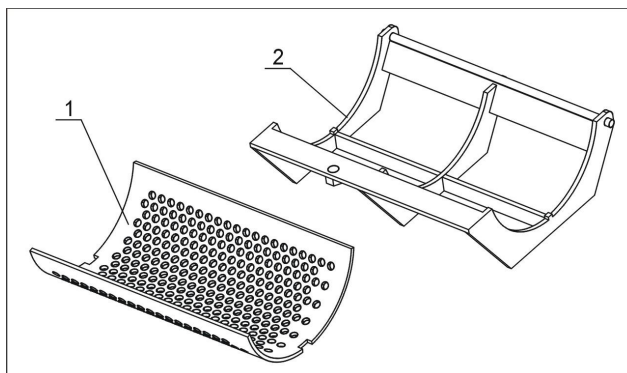


Note: Please refer to material list 24 about the parts code.

24. Feed Port, Feed Box and Material Check Plate Parts List

| No. | Name | Quantity |
|-----|-----------------|----------|
| 1 | Material fender | 1 |
| 2 | Feed opening | 1 |
| 3 | Handle | 1 |
| 4 | Feed box | 1 |

25. Screen and Screen Frame



Note: Please refer to material list 26 about the parts code.

26. Screen and Screen Frame Parts List

| No. | Name | Quantity |
|-----|----------------|----------|
| 1 | Screen | 1 |
| 2 | Screen bracket | 1 |