

A B C D

- Ⓐ Main power wire dia. Ⓒ Drying heater breaker Ⓔ Heater power
- Ⓑ Main power switch Ⓓ Heater wire dia. Ⓕ Heater current

Mode	Symbol	Ver.	Ⓐ	Ⓑ	Ⓒ	Ⓓ	Ⓔ	Ⓕ
MHD-80U		Ver.A	2.5	16	10	2.5	3.9	5.9
MHD-120U		Ver.A	2.5	16	10	2.5	3.9	5.9
MHD-160U		Ver.A	2.5	16	16	2.5	6.0	9.0
MHD-230U		Ver.A	2.5	16	16	2.5	6.0	9.0
MHD-300U		Ver.A	4.0	25	25	4.0	12.0	18.0

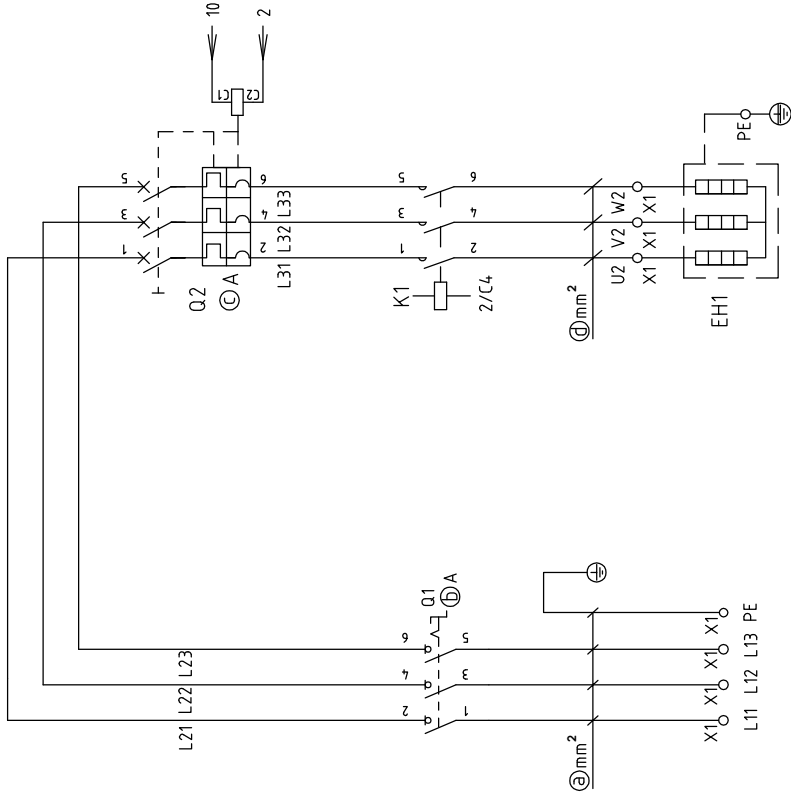
机型版本 Ver.A

Mark	Before modification	Modified by	After modification	Version	0	Title	MHD-80~300U Parameter List of Circuit Diagram	Drawing NO.	MHD-80~300U-CE-400V-0-1	Scale	Page 1
										Standard	CE
										Voltage	400V
										Frequency	50HZ



A B C D

1 2 3 4 5 6 7 8



机型版本 Ver. A

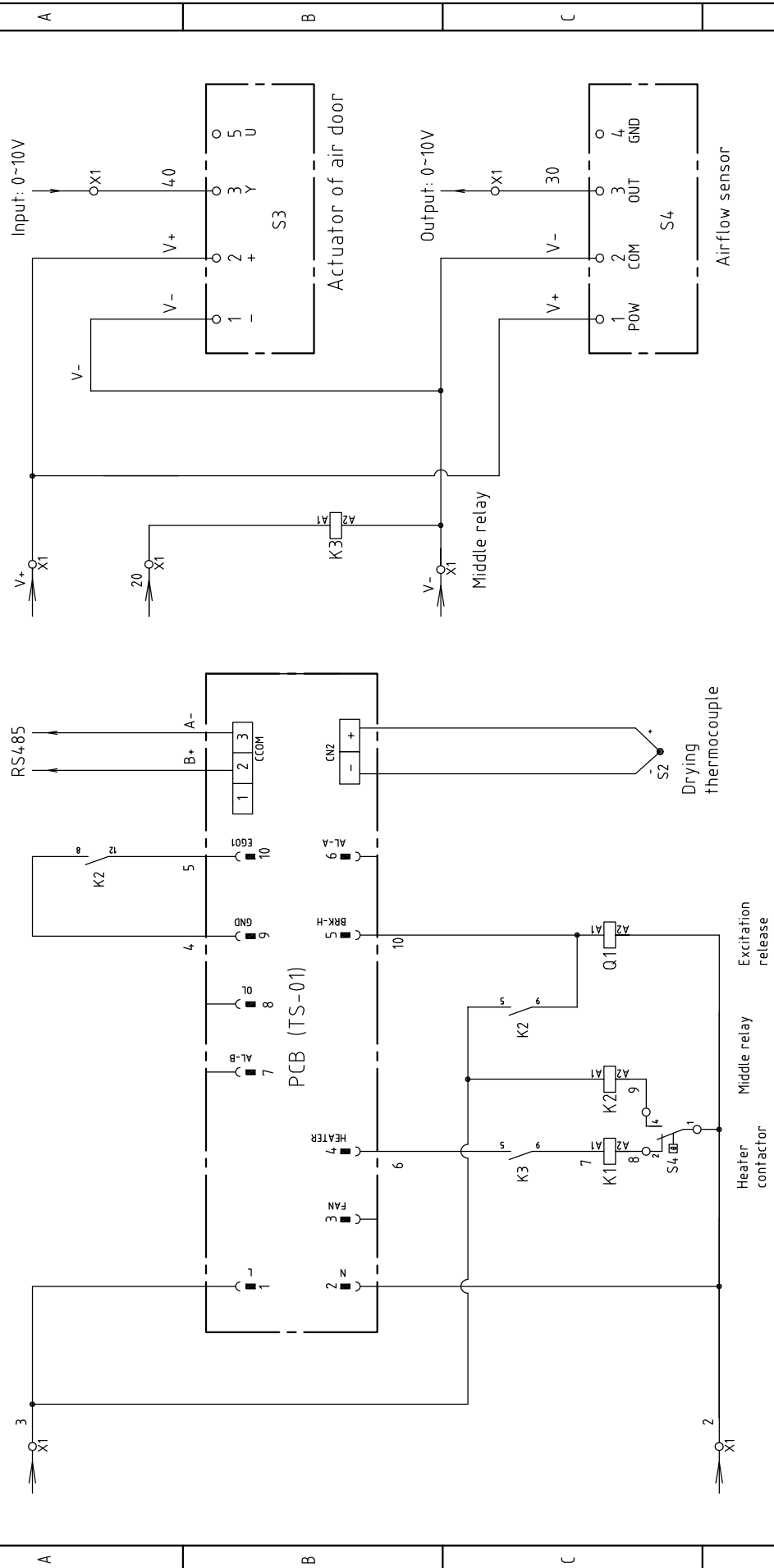
D	Title		Drawing NO.		Scale		Page		
	MHD-80~300U Main Circuit Diagram		MHD-80~300U-CE-400V-0-2		CE		2		
Mark	Version	Designer	Proofread by	Checked by	Modified by	After modification	Modified date	Totally	Pages
	0							9	9
								Voltage	400V
								Frequency	50HZ
									8

SHINI
信易电热机械股份有限公司
Shini Plastics Technologies, Inc.

A B C D

A B C D

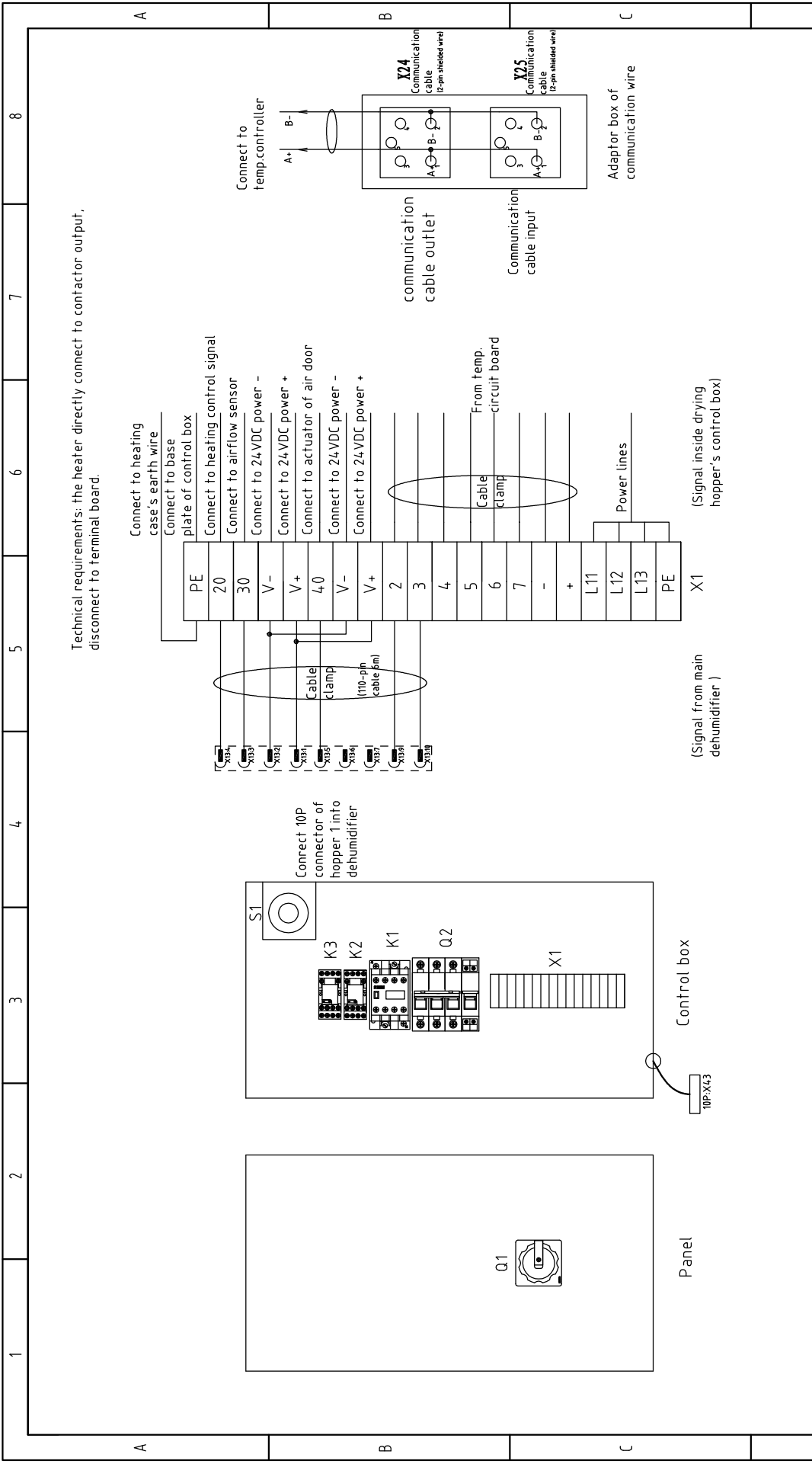
Connect to adaptor box
of communication wire



机型版本 Ver.A

D	Title	MHD-80~300U		Drawing NO.		MHD-80~300U-CE-400V-0-3		Scale	Page	3
		Control Circuit Diagram				Standard	CE	Totally	9	Pages
Mark	Before modification	After modification	Modified by	Modify date	Checked by	Date	20160914	Voltage	400V	
								Frequency	50HZ	

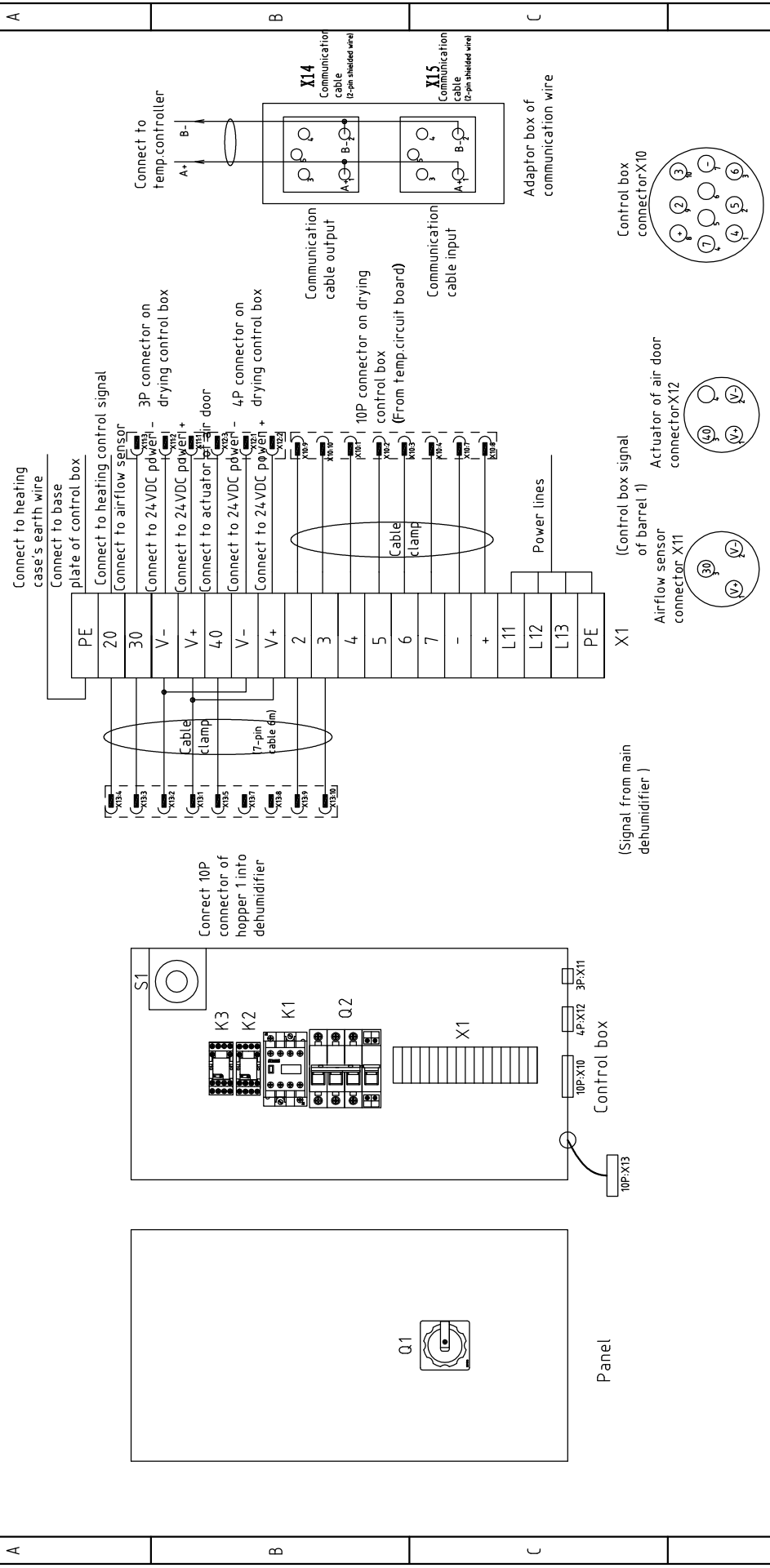




机型版本 Ver.A		Version		0		Title		MHD-80~160U		Drawing NO.		Page		4	
		Designer				Electrical components layout and terminal connection diagram		MHD-80~300U-CE-400V-0-4		Standard		CE		Totally 9 Pages	
Mark		Before modification		Modified by		Modify date				Voltage		400V		Frequency	
						20160914				Frequency		50HZ			
1		2		3		4		5		6		7		8	



Technical requirements: the heater directly connect to contactor output, disconnect to terminal board.



Drawing NO.		MHD-230U/300U		Page 5	
Title		Electrical components layout and Terminal connection diagram		Standard CE	
Version		0		Voltage 400V	
Designer		Proofread by		Frequency 50HZ	
Checked by		Date 20160914		Totally 9 Pages	
Modified by		Modify date		Adaptor box of communication wire	
After modification		Mark		SHINI	
Before modification		Mark		信易電熱機械股份有限公司	
		Mark		Shini Plastics Technologies, Inc.	

1		2		3		4		5		6		7		8									
NO.	Symbol	Name	Manufacturer	Type	Specification	Number	Material number	Remark															
1	Q1	Main Switch	MOLLER	TO-2-1/EA/SVB/16A	16A 3P 690V 50/60Hz	1	YE10021160000																
2	Q2	Circuit-breaker	TECO	BM-63C/3010S	10A 3P	1	YE40301003000																
3		Excitation release	CHINT	MX	230V 50/60Hz	1	YE40023560000																
4	K1	Contact	SIEMENS	3RT6018-1AN21	16A 3P 230V 50/60Hz	1	YE00601800000																
5	K2	Middle relay	WEIDMULLER	DRM270730LT	230V 50/60Hz	1	YE03270700000																
6	K3	Middle relay	WEIDMULLER	DRM270024LT	24V DC	1	YE03272400000																
7	PCB-01	PCB	YUYUN	TS-01	230V 50/60Hz	1	YE80000100500																
8	S1	Temperature protector	EGO	--	115-320 °C	1	BH90115000150																
9	S2	Thermocouple	SHINI	K TYPE	--	1	----	(1)															
10	S3	Air door actuator	BELIMO	LMU24-SR	24VDC	1	----	(1)															
11	S4	Air flow sensor	KEENYODA	KYD26-FSF6E5T10L05	24VDC	1	----	(1)															
12	X1	Terminal	----	--	2.5mm ²	18	YE60002503200																
13		Terminal board	----	--	2.5mm ² PE	2	YE60002503400																
14	X24,X25	Heavy duty plug-in	SIBAS	HDC-HQ-005-M/F	5P 10A	2	YE68000500000																
15	EH1	Heater	SHINI	--	3.9kW 400V	1	----	(1)															
A																							
B																							
C																							
D																							
机型版本 Ver.A Notes: (1)Means it's not the material inside the control box.																							
Mark		Before modification	Modified by	Modify date	Checked by	Proofread by	Designer	Drawer	Version	0	Title	MHD-80/120U Electrical Components List	Drawing NO.	MHD-80-300U-CE-4.00V-0-6	Scale	CE	Page	6	Totally	9	Pages	400V 50HZ	
		After modification		20160914		Approved by																	



信易电热机械股份有限公司
Shini Plastics Technologies, Inc.

1	2		3	4	5	6	7	8
NO.	Symbol	Name	Manufacturer	Type	Specification	Number	Material number	Remark
1	Q1	Main Switch	MOLLER	TO-2-1/EA/SVB/16A	16A 3P 690V 50/60Hz	1	YE10021160000	
2	Q2	Circuit-breaker	TECO	BM-63C/3016S	16A 3P	1	YE40301603000	
3		Excitation release	CHINT	MX	230V 50/60Hz	1	YE40023560000	A
4	K1	Contact	SIEMENS	3RT6018-1AN21	16A 3P 230V 50/60Hz	1	YE00601800000	
5	K2	Middle relay	WEIDMULLER	DRM270730LT	230V 50/60Hz	1	YE03270700000	
6	K3	Middle relay	WEIDMULLER	DRM270024LT	24V DC	1	YE03272400000	
7	PCB-01	PCB	YUYUN	TS-01	230V 50/60Hz	1	YE80000100500	
8	S1	Temperature protector	EGO	--	115-320 °C	1	BH90115000150	
9	S2	Thermocouple	SHINI	K TYPE	--	1	----	(1)
10	S3	Air door actuator	BELIMO	LMU24-SR	24VDC	1	----	(1)
11	S4	Airflow sensor	KEENYODA	KYD26-FSF6E5T10L05	24VDC	1	----	(1)
12	X1	Terminal	----	--	2.5mm ²	18	YE60002503200	
13	X24, X25	Grounding terminal block	----	--	2.5mm ² PE	2	YE60002503400	
14		Heavy duty plug-in	SIBAS	HDC-HQ-005-M/F	5P 10A	2	YE68000500000	
15	EH1	Heater	SHINI	--	6kW 400V	1	----	(1)
C								
D								
机型版本 Ver.A								
Notes: (1) Means it's not the material inside the control box.					Drawing NO.		Page	
Title				MHD-160U		Scale		7
Electrical Components List				MHD-80-300U-CE-4.00V-0-7		Standard		9
SHINI				信易电热机械股份有限公司		Voltage		400V
SHINI				Shini Plastics Technologies, Inc.		Frequency		50HZ
Mark			Before modification	Modified by	Modify date	Checked by	Proofread by	Designer
1			2	3	4	5	6	8
1	2	3	4	5	6	7	8	9

1	2		3		4		5		6		7		8	
NO.	Symbol	Name	Manufacturer	Type	Specification	Number	Material number	Remark						
1	Q1	Main Switch	MOLLER	TO-2-1/EA/SVB/16A	16A 3P 690V 50/60Hz	1	YE10021160000							
2	Q2	Circuit-breaker	TECO	BM-63C/3016S	16A 3P	1	YE40301603000							
3	A	Excitation release	CHINT	MX	230V 50/60Hz	1	YE40023560000							
4	K1	Contacto	SIEMENS	3RT6018-1ANZ1	16A 3P 230V 50/60Hz	1	YE00601800000							
5	K2	Middle relay	WEIDMULLER	DRM270730LT	230V 50/60Hz	1	YE03270700000							
6	K3	Middle relay	WEIDMULLER	DRM270024LT	24V DC	1	YE03272400000							
7	PCB-01	PCB	YUYUN	TS-01	230V 50/60Hz	1	YE80000100500							
8	S1	Temperature protector	EGO	--	115-320 °C	1	BH90115000150							
9	S2	Thermocouple	SHINI	K TYPE	--	1	----	(1)						
10	S3	Air door actuator	BELIMO	LMU24-SR	24VDC	1	----	(1)						
11	S4	Airflow sensor	KEENYODA	KYD26-FSF6E5T10L05	24VDC	1	----	(1)						
12	X1	Terminal	----	--	2.5mm ²	18	YE60002503200							
13	X10	Grounding terminal block	----	--	2.5mm ² PE	2	YE60002503400							
14	X11	Metal joint 10P	PLS-2410-RF+PM	PLS-2410-RF+PM	10P	1	YE62241040000							
15	X11	Metal joint 3P	DF-25-3FR#/DF-25-3FPA	DF-25-3FR#/DF-25-3FPA	3P	1	YE68025300200/YE68025300100							
16	X12	Metal joint 4P	PLT-254-RF#/PLT-254-PM#	PLT-254-RF#/PLT-254-PM#	4P	1	YE68025400100/ YE68025400000							
17	X24,X25	Heavy duty plug-in	SIBAS	HDC-HQ-005-M/F	5P 10A	2	YE68000500000							
18	EH1	Heater	SHINI	--	6kW 400V	1	----	(1)						
C														
D													Scale Standard CE Voltage 400V Frequency 50HZ Page 8 Totally 9 Pages	

机型版本 Ver.A Notes: (1)Means it's not the material inside the control box.

Mark	Before modification	Modified by	Modify date	Checked by	Date	20160914
	After modification	Modified by	Modify date	Checked by	Date	
		Proofread by		Approved by		
		Designer		Version	0	
		Drawer		Title	MHD-230U Electrical Components List	
				Drawing NO.		MHD-80-300U-CE-400V-0-8



信易电热机械股份有限公司
Shini Plastics Technologies, Inc.

