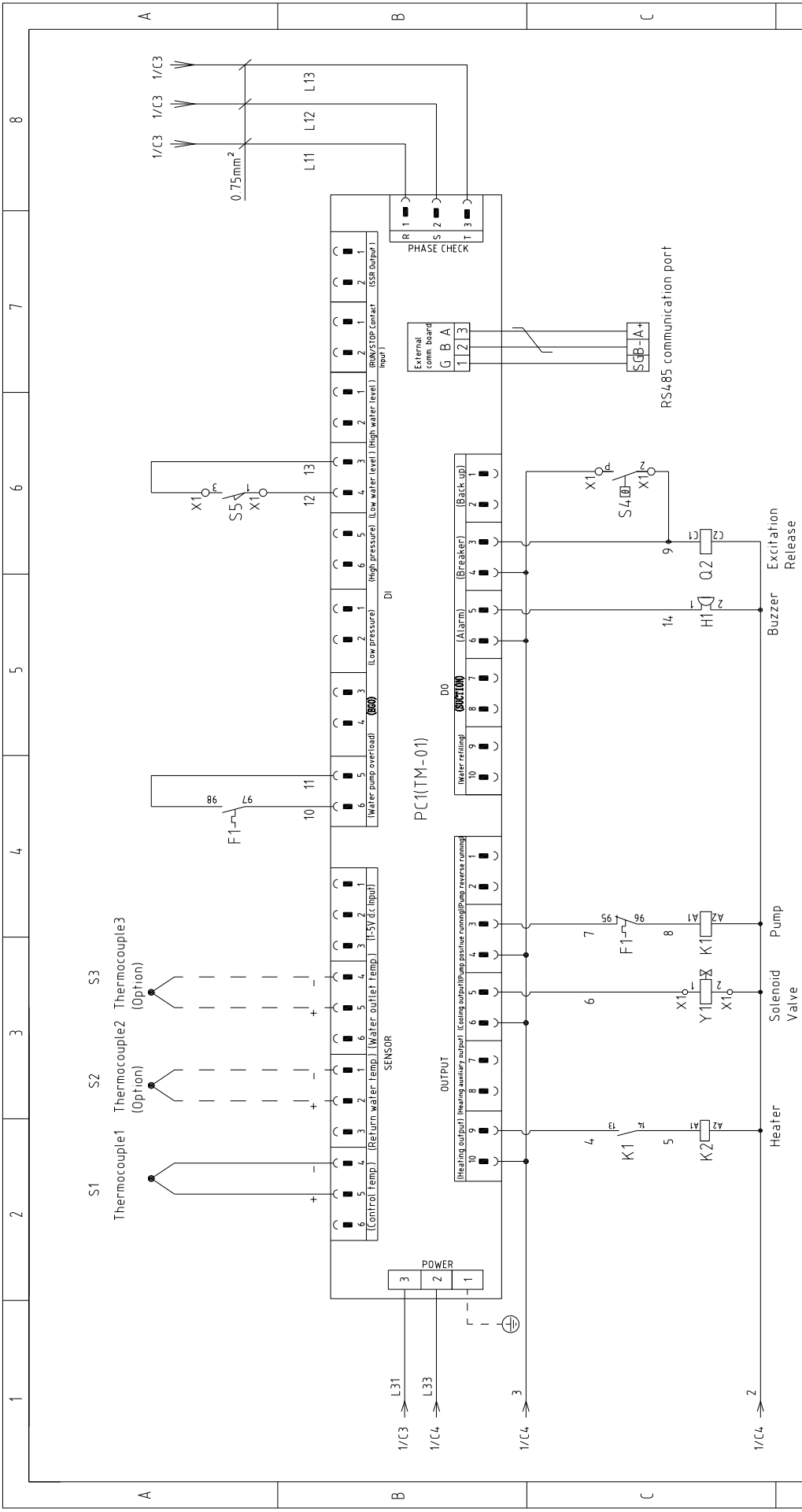


STM-607 版本 Ver.F  
 STM-607M 版本 Ver.E

When equipped with magnetic pump F1:SET 1.7A P=0.55KW IN=1.7A

Title		Drawing No		Page 1	
Version		STM-607		Standard CE	
Main Circuit Diagram		STM-607-CE-230V-I-1		Totally 5 Pages	
Designer		Proofread by		Voltage 230V	
Checked by		Date		Frequency 50Hz	
Modified by		Modify date			
After modification		Date 20170502			
Before modification					
Mark					

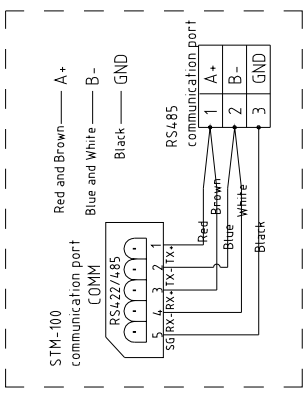
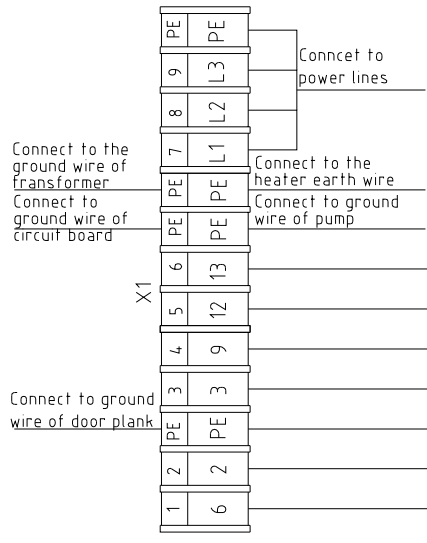
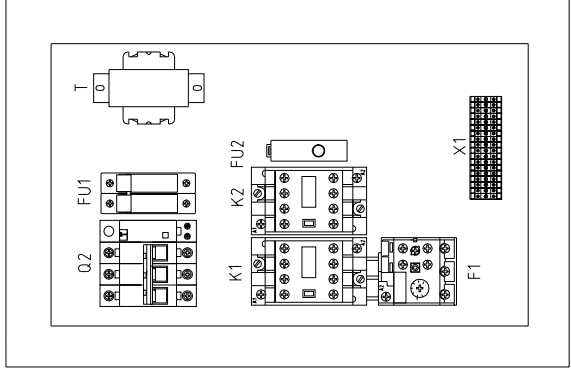
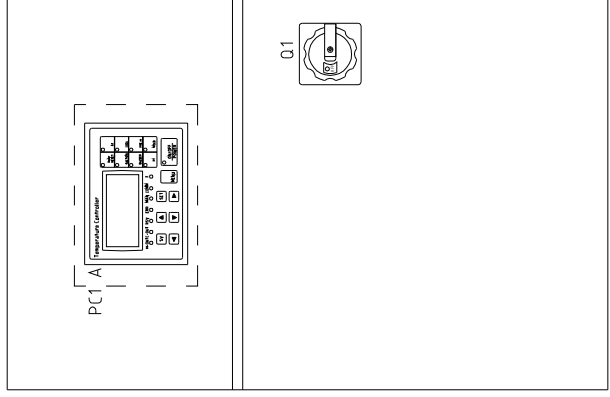




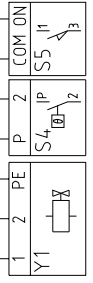
STM-607 版本 Ver.F  
 STM-607M 版本 Ver.E

D	Scale	Standard	CE	Page	2
	Drawing NO		STM-607-CE-230V-1-2	Totally	5 Pages
Title		STM-607 Control Circuit Diagram		Voltage	230V
Version		I		Frequency	50HZ
Designer		Approved by		SHINI 信易電熱機械股份有限公司 Shini Plastics Technologies, Inc.	
Proofread by		Date		20180102	
Checked by		Date		20180102	
Modified by		Date		20180102	
Mark	Before modification	After modification		2	
1		3		4	
5		6		7	
8		6		7	
8		6		7	

A B C



S6 RS485 Communications wiring diagram



Solenoid valve Micro protector switch

STM-607 版本 Ver.F  
 STM-607M 版本 Ver.E

Technical requirements: (1) Pump and pipe heater should be directly connected to the output terminals of contactor and thermal overload relay.

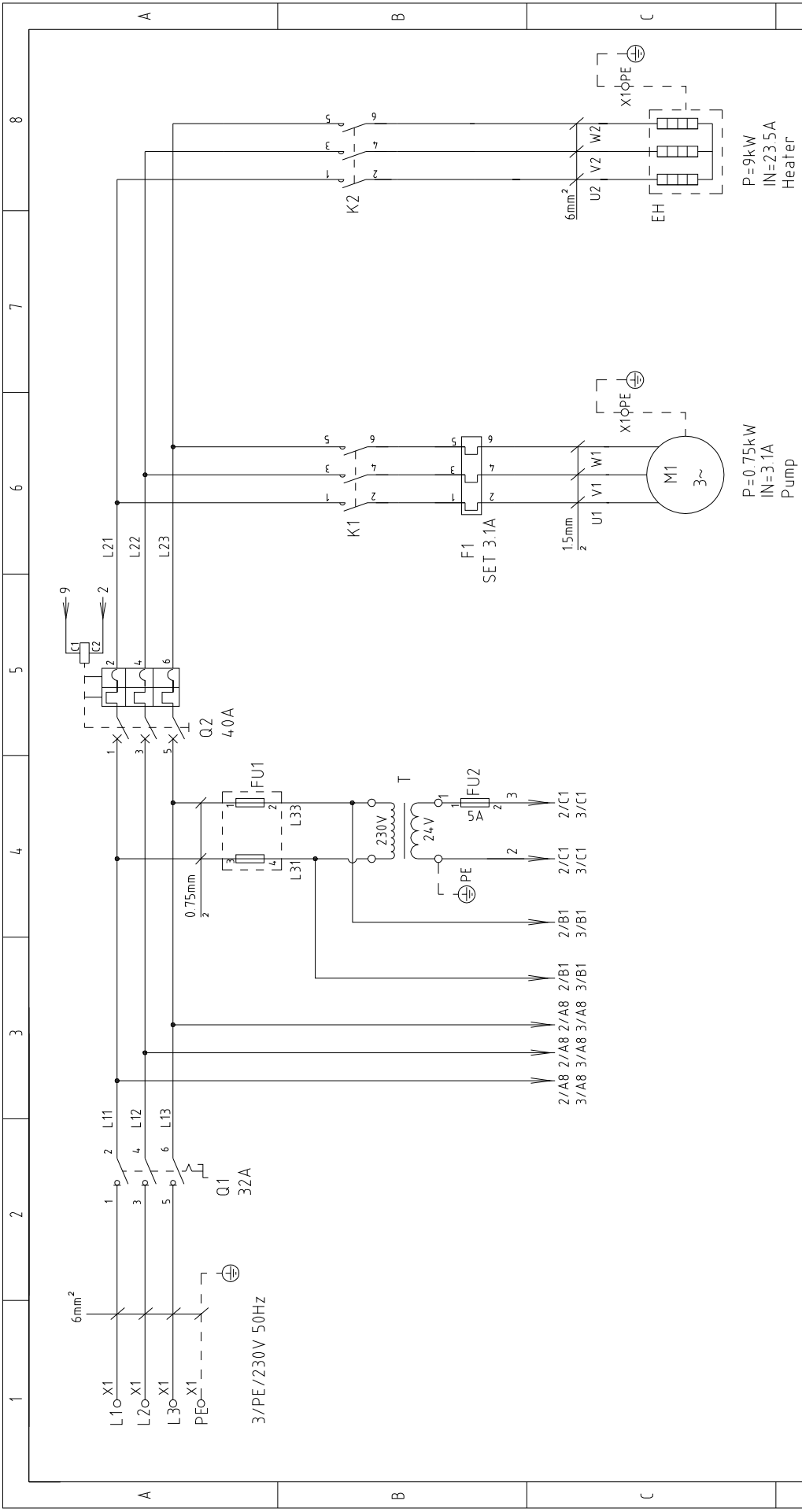
D	Title		Drawing NO		Scale	Page
	STM-607		STM-607-CE-230V-I-3		Standard	Totally 5
Electrical Components Layout		Voltage		Frequency		
		230V		50HZ		
Mark	Before modification	After modification	Modify date	Checked by	Proofread by	Designer
			20170502			
Version		Approved By		Date		
I				4		
Drawer		Checked by		3		
3				4		
2				3		
1				2		
8				7		
7				6		
6				5		
5				4		
4				3		
3				2		
2				1		
1				0		



1		2		3		4		5		6		7		8	
NO.	Symbol	Name	Manufacturer	Type	Specification	Number	Material number	Remark							
1	Q1	Main Power Switch	EATON	P1-25/EA/SVB	25A	1	YE10125250000								
2	Q2	Circuit Breaker	TECO	BM-63C	25A	1	YE40302503000								
3		Excitation Release	TECO	MX	24VAC	1	YE40024000000								
4	K1	Contactor	SIEMENS	3RT6016-1AB01	24VAC	1	YE00601602500								
5	K1	Contactor	SIEMENS	3RT6016-1AB01	24VAC	1	YE00601602500	(3)							
6	K2	Contactor	SIEMENS	3RT6026-1AC20	24VAC	1	YE00602602600								
7	F1	Thermo Overload Relay	SIEMENS	3RU6116-1BB0	14-2A	1	YE01160140000								
8	F1	Thermo Overload Relay	SIEMENS	3RU6116-1BB0	14-2A	1	YE01160140000	(3)							
9	FU1	Fuse Base	CHNT	RT28-32	32A 2P	1	YE41032200000								
10		Fuse Core	MRO	10×38 500V	2A	2	YE46002000100								
11	FU2	Fuse	YINDA	FS-10	----	1	YE41001000000								
12		Fuse	----	6×30/3A	3A	1	YE46630500200								
13	T	Sensor Transformer	----	IN=230V OUT=24VAC	120VA	1	YE70023005500								
14	S1	Thermocouple	SHINI	----	K	1	----	(1)							
15	S2 S3	Thermocouple	SHINI	----	K	2	----	(1)(2)							
16	S4	Overheat Protector	----	----	----	1	----	(1)							
17	S5	Limit Switch	RENEW	----	250V 5(4)	1	----	(1)							
18	PC1 A	Circuit Board	YUYUN	TM-01 (含通讯)	180~430V 50/60Hz	1	YE81012200300								
19	X1	Terminal Board	HONEYWELL	2.5mm <sup>2</sup>	----	6	YE60002503200								
20		Grounding Terminal Board	HONEYWELL	2.5mm <sup>2</sup> PE	----	2	YE60002503400								
21		Terminal Board	HONEYWELL	4.0mm <sup>2</sup>	----	3	YE60000403200								
22		Grounding Terminal Board	HONEYWELL	4.0mm <sup>2</sup> PE	----	2	YE60000403500								
23	M1	Motor	SHINI	TP-55	230V 50Hz 0.55kW	1	----	(1)							
24	M1	Motor	SHINI	MP-55	230V 50Hz 0.55kW	1	----	(1)(3)							
STM-607 版本		Ver.F	Notes: (1)Means it's not the material inside the control box (2)Means equipped with function of displaying water outlet and return water temperature.												
STM-607M 版本		Ver.E	(3)Means equipped with magnetic pump												
			Drawer	Version	Title		Drawing NO		Scale		Page		4		
			Designer	Approved by	STM-607		STM-607-CE-230V-I-4		Standard		CE		Totally 5		
			Proofread by	Date	Electrical Components list 1				Voltage		230V				
Mark		Before modification	Modified by	Modify date	20170502				Frequency		50HZ				
1		2	3	4	5	6	7	8							



1		2		3		4		5		6		7		8												
NO.	Symbol	Name	Manufacturer	Model/Type	Specification	Quantity/Number	Material number	Material number	Quantity/Number	Material number	Quantity/Number	Material number	Quantity/Number	Material number	Quantity/Number											
25	EH	Heater	SHINI	6kW	230V 50Hz	1	----	----	1	----	----	----	----	----	(1)											
26	FM	Fan	----	----	230V 50/60Hz	1	----	----	1	----	----	----	----	----	(1)											
27	H1	Buzzer	----	PK-35A	24VAC/DC	1	YE84003500600	YE84003500600	1	----	----	----	----	----	(1)											
28	Y1	Solenoid Valve	----	----	24VAC	1	----	----	1	----	----	----	----	----	(1)											
29	S6	Communication interface board RS-485 (double Dsub-9pin connector)	----	RS-485	PCS	1.000	YE90048501200	YE90048501200	1.000	----	----	----	----	----												
30		Shell RS485(SAL-700G-A-1910)	----		PCS	1.000	YR40048500000	YR40048500000	1.000	----	----	----	----	----												
A																										
B																										
C																										
D																										
Notes: (1)Means it's not the material inside the control box (2)Means equipped with function of displaying water outlet and return water temperature. (3)Means equipped with magnetic pump																										
STM-607 版本 Ver.F																										
STM-607M 版本 Ver.E																										
Mark		Before modification	Modified by	Modify date	Checked by	Proofread by	Designer	Drawer	Version	I	Title		STM-607		Drawing NO		STM-607-CE-230V-I-5		Scale	CE	Page	5	Totally	5	Pages	
		After modification							Approved by		Electrical Components List 2		Standard		Voltage		Frequency				230V		50HZ			
				20170502							SHINI		信易电热机械股份有限公司		Shini Plastics Technologies, Inc.											
											5		6		7		8									



STM-910	版本	Ver.E
STM-910M	版本	Ver.D

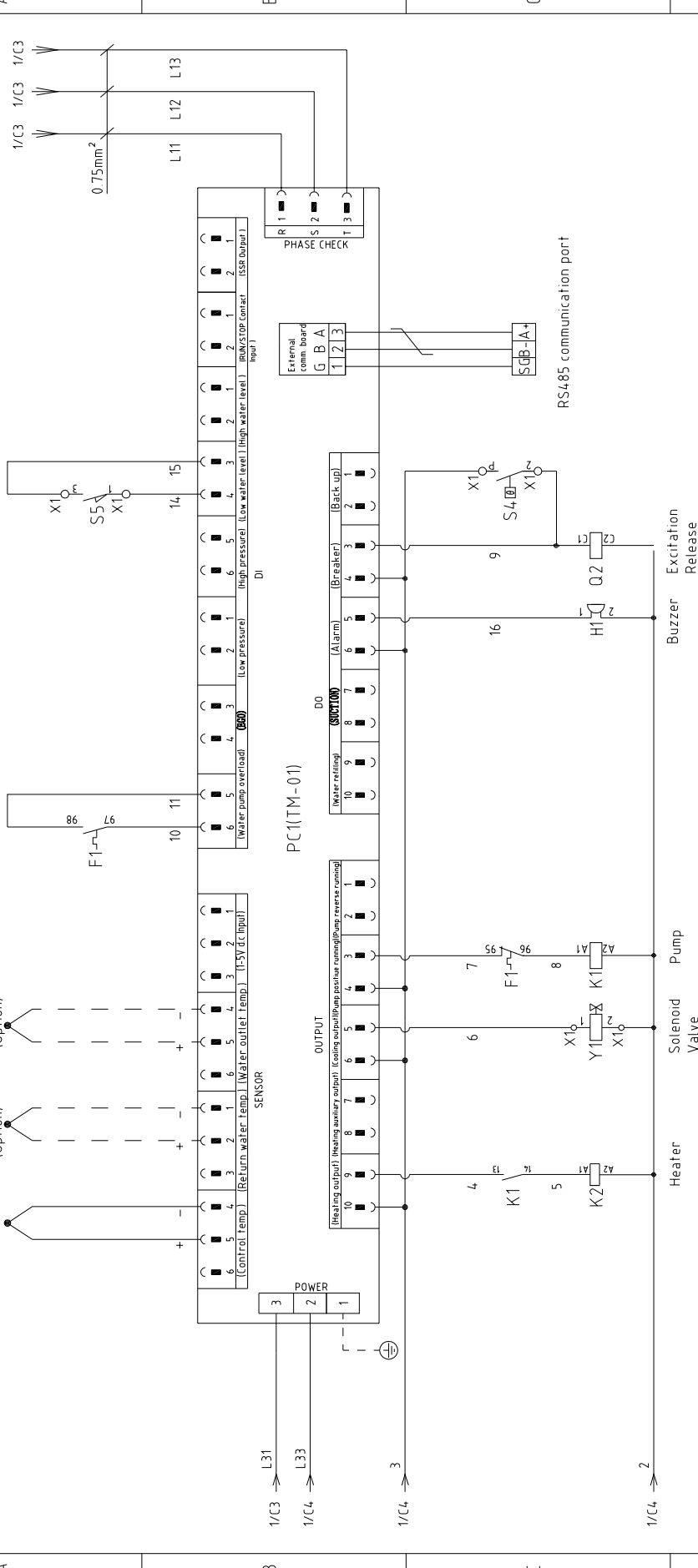
When equipped with magnetic pump F1:SET 3.1A P=1.0KW IN=3.1A

Title		Drawing NO	
STM-910		STM-910-CE-230V-F-1	
Main Circuit Diagram		CE	
Scale	Page	Page 1	
Standard	Totally	Totally 6 Pages	
Voltage	Frequency	230V	
Frequency		50HZ	

信易電熱機械股份有限公司  
Shini Plastics Technologies, Inc.

Mark	Before modification	Modified by	20170503
	After modification	Checked by	
		Proofread by	
		Designer	
		Drawer	
		Version	F

S1 Thermocouple1 (Return water temp.)  
 S2 Thermocouple2 (Water outlet temp.)  
 S3 Thermocouple3 (Option)

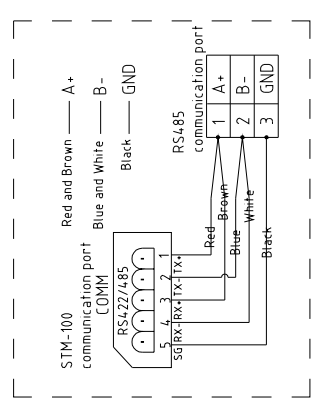
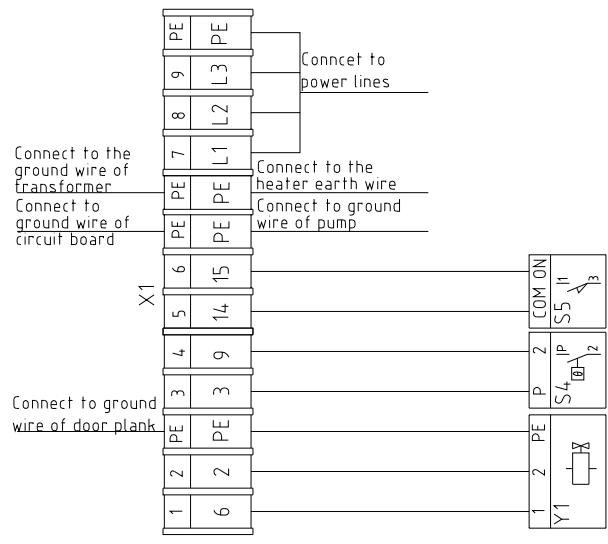
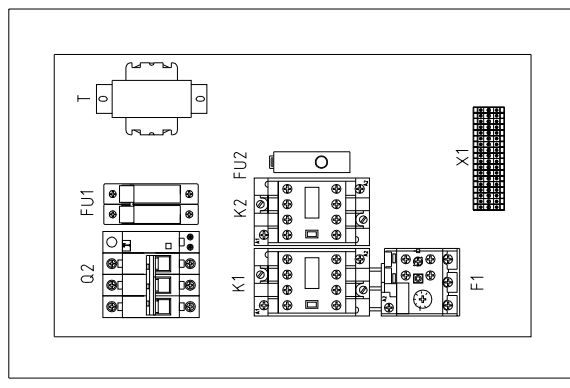
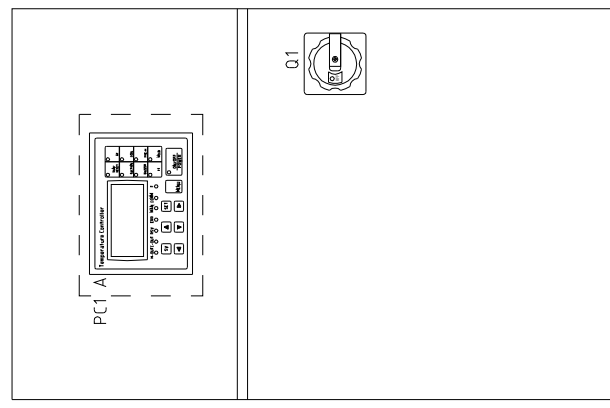


STM-910M 版本 Ver.D  
 STM-910 版本 Ver.E

D	Scale	Standard	CE	Page	2
	Standard	CE	Totally	6	Pages
Title		STM-910		Drawing NO	
Version		F		STM-910-CE-230V-F-2	
Designer		Approved by		Voltage	
Proofread by		Date		Frequency	
Checked by		20180102		230V	
Modified by		Modify date		50HZ	
Mark		Before modification		1	
After modification		2		3	
4		5		6	
7		8		9	
10		11		12	
13		14		15	
16		17		18	



A B C



S6 RS485 Communications wiring diagram

STM-910 版本 Ver.E
STM-910M 版本 Ver.D

Technical requirements (1) Pump and pipe heater should be directly connected to the output terminals of contactor and thermal overload relay.

Title		Drawing NO		Scale		Page	
STM-910		STM-910-CE-230V-F-4		Standard CE		Totally 6 Pages	
Electrical Components Layout				Voltage		Frequency	
				230V		50HZ	
Mark	Before modification	Modified by	Modify date	Checked by	Date		
			20170503				
1		3		4		8	

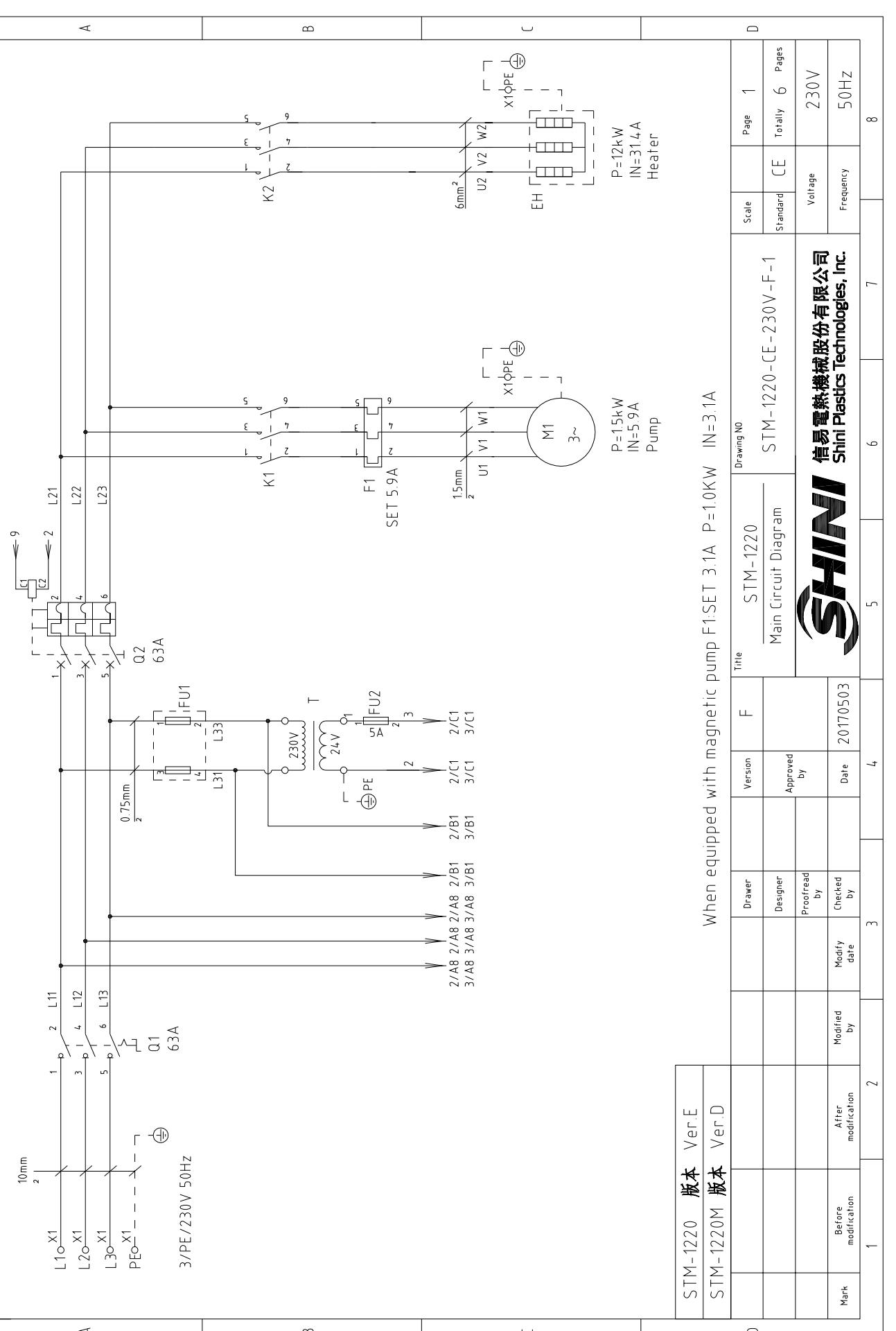




1		2		3		4		5		6		7		8	
NO.	Symbol	Name	Manufacturer	Type	Specification	Number	Material number	Remark							
1	Q1	Main Switch	EATON	P1-32/EA/SVB	32A	1	YE10323200000								
2	Q2	Circuit Breakers	TECO	BM-63C	40A	1	YE40304003000								
3		Excitation Release	CHINT	MX	24VAC	1	YE40024000000								
4	K1	Contacts	SIEMENS	3RT6015-1AB01	24VAC	1	YE00601502500								
5	K1	Contacts	SIEMENS	3RT6015-1AB01	24VAC	1	YE00601502500	(3)							
6	K2	Contacts	SIEMENS	3RT6027-1AC20	24VAC	1	YE00602702600								
7	F1	Thermo Overload Relay	SIEMENS	3RU6116-1EB0	2.8-4A	1	YE01160280000								
8	F1	Thermo Overload Relay	SIEMENS	3RU6116-1EB0	2.8-4A	1	YE01160280000	(3)							
9	FU1	Fuse Base	CHNT	RT28-32	32A 2P	1	YE41032200000								
10		Fuse Core	MRO	10×38 500V	2A	2	YE46002000100								
11	FU2	Fuse	YINDA	FS-10	----	1	YE41001000000								
12		Fuse	----	6×30/5A	5A	1	YE46630500100								
13	T	Transformer	----	IN=230V OUT=24VAC	120VA	1	YE70023005500								
14	S1	Thermocouple	SHINI	----	K	1	----	(1)							
15	S2 S3	Thermocouple	SHINI	----	K	2	----	(1)(2)							
16	S4	Overheat Protector	----	----	----	1	----	(1)							
17	S5	Limit Switch	RENEW	----	250V 5(4)	1	----	(1)							
18	PC1 A	Circuit Board	YUYUN	TM-01 (含通讯)	180~4.30V 50/60Hz	1	YE81012200300								
19	X1	Terminal Board	HONEYWELL	2.5mm <sup>2</sup>	----	6	YE60002503200								
20		Terminal Board	HONEYWELL	2.5mm <sup>2</sup> PE	----	2	YE60002503400								
21		Terminal Board	HONEYWELL	6.0mm <sup>2</sup>	----	3	YE60000603200								
22		Terminal Board	HONEYWELL	6.0mm <sup>2</sup> PE	----	2	YE60000603500								
23	M1	Motor	SHINI	TP-75	230V 50Hz 0.75kW	1	----	(1)							
24	M1	Motor	SHINI	MP-100	230V 50Hz 1.0kW	1	----	(1)(3)							
STM-910 版本		Notes: (1)Means it's not the material inside the control box (2)Means equipped with function of displaying water outlet and return water temperature.													
STM-910M 版本		(3)Means equipped with magnetic pump													
		Title		Drawing NO		Scale		Page		5		6		8	
		STM-910		Electrical Components list 1		STM-910-CE-230V-F-5		Standard		CE		Voltage		230V	
		F		Version		Approved by		Date		20170503		Frequency		50HZ	
		Designer		Proofread by		Checked by		Modify date							
Mark		Before modification		After modification		Modified by		Modify date							




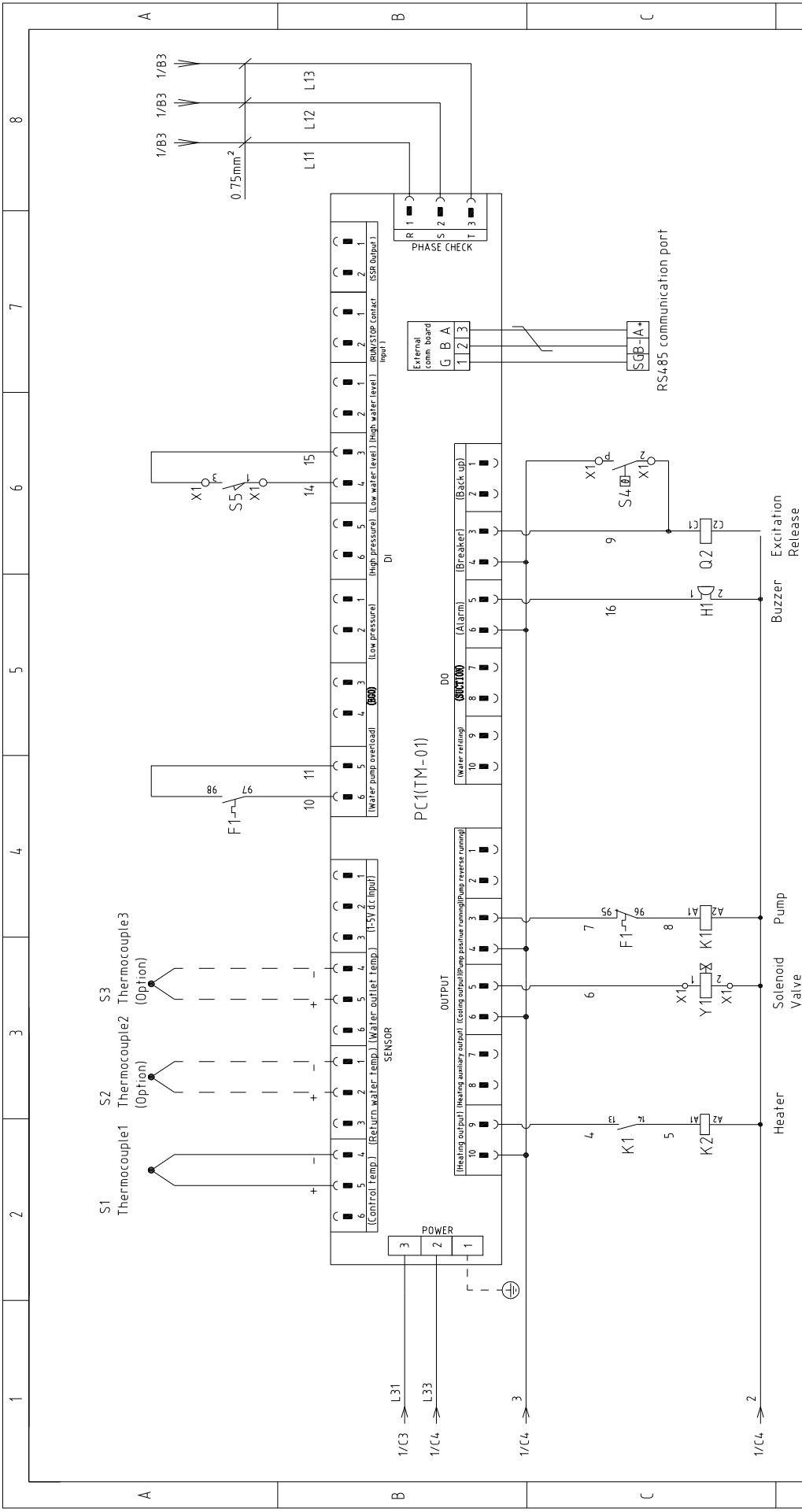
1		2		3		4		5		6		7		8	
NO.	Symbol	Name	Manufacturer	Type	Specification	Number	Material number	Remark							
25	EH	Heater	SHINI	9kW	230V 50Hz	1	----	(1)							
26	FM	Fan	----	----	230V 50/60Hz	1	----	(1)(3)							
27	H1	Buzzer	----	PK-35A	24VAC/DC	1	YE84.003500600								
28	Y1	Solenoid Valve	----	----	24VAC	1	----	(1)							
29	S6	Communication interface board RS-485 (double Dsub-9pin connector)			PCS	1.000	YE90048501200								
30		Shell RS485(SAL-700G-A-1910)			PCS	1.000	YR4.00485000000								
B															
C															
D															
STM-910 版本 Ver.E		Notes: (1)Means it's not the material inside the control box (2)Means equipped with function of displaying water outlet and return water temperature.													
STM-910M 版本 Ver.D		(3)Means equipped with magnetic pump													
		Title		Version		F		Drawing NO		Scale		Page		6	
		Electrical Components List 2		STM-910		STM-910-CE-230V-F-6		Standard		CE		Totally		6	
		SHINI		SHINI		SHINI		SHINI		SHINI		SHINI		SHINI	
Mark		Before modification	Modified by	Modify date	Proofread by	Checked by	Date	20170503							
		After modification	Modified by	Modify date	Proofread by	Checked by	Date	20170503							
		Voltage 230V													
		Frequency 50HZ													
8															




STM-1220 版本 Ver.E  
 STM-1220M 版本 Ver.D

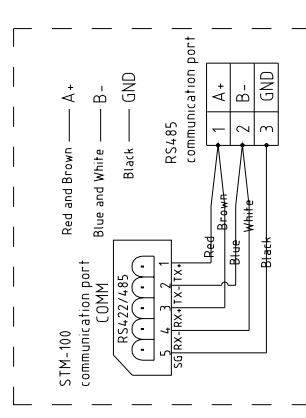
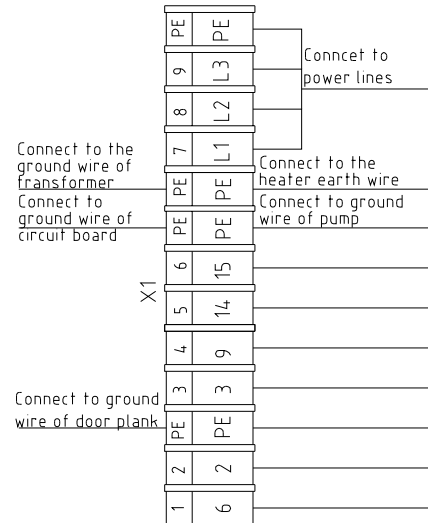
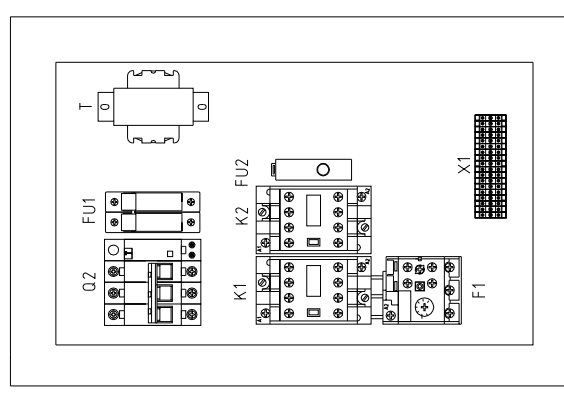
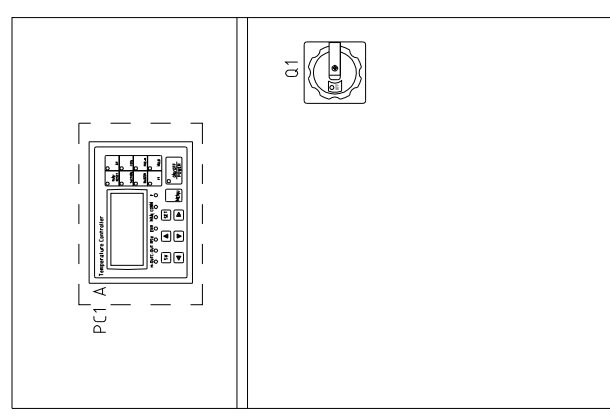
When equipped with magnetic pump F1-SET 3.1A P=10KW IN=3.1A

Title		Drawing No		Page	1
Version		Main Circuit Diagram		Standard	CE
F		STM-1220		Voltage	230V
Approved by		STM-1220-CE-230V-F-1		Frequency	50Hz
Date		20170503		Totally	6 Pages
Modified by				 信易電熱機械股份有限公司 Shini Plastics Technologies, Inc.	
Checked by					
Modify date					

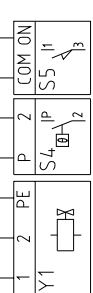


STM-1220M 版本 Ver.D  
 STM-1220 版本 Ver.E

D	Mark	Before modification	Modified by	Modify date	Checked by	20180102	 <b>信易電熱機械股份有限公司</b> <b>Shini Plastics Technologies, Inc.</b>	Standard	CE	Scale	Page 2
	Version	Approved by	Date	Proofread by	Designer	20180102		Drawing NO STM-1220-CE-230V-F-2 Control Circuit Diagram	Voltage	230V	Totally
	After modification							Frequency	50HZ	Pages	8




S6 RS485 Communications wiring diagram




Solenoid valve Micro protector switch

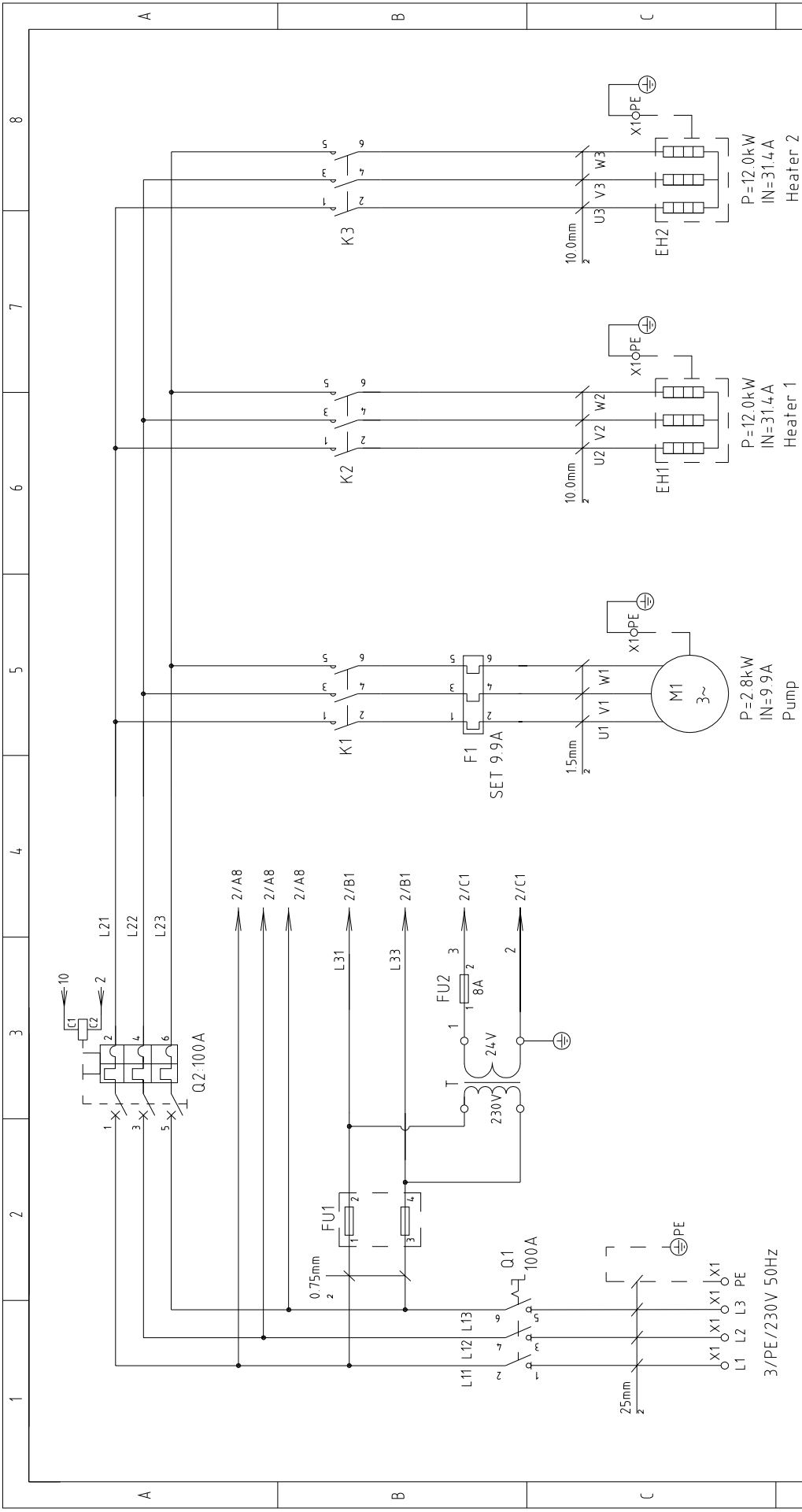
STM-1220	版本	Ver.E
STM-1220M	版本	Ver.D

Technical requirements: (1) Pump and pipe heater should be directly connected to the output terminals of contactor and thermal overload relay.

Drawn NO	STM-1220		Scale	Page	4
Electrical Components Layout	STM-1220-CE-230V-F-4		Standard	Totally	6
Version	Approved by	Checked by	Voltage	230V	
Date	20170503	Modify date	Frequency	50HZ	
 信易電熱機械股份有限公司 Shini Plastics Technologies, Inc.			Standard	CE	
			Frequency		

1		2		3		4		5		6		7		8	
NO.	Symbol	Name	Manufacturer	Type	Specification	Number	Material number	Remark							
1	Q1	Main Switch	EATON	P3-63/EA/SVB	63A	1	YE10636300000								
2	Q2	Circuit Breakers	TECO	BM-63C	63A	1	YE40306303000								
3		Excitation Release	CHINT	MX	24VAC	1	YE40024000000								
4	K1	Contactors	SIEMENS	3RT6016-1AB01	24VAC	1	YE00601602500								
5	K1	Contactors	SIEMENS	3RT6015-1AB01	24VAC	1	YE00601502500	(3)							
6	K2	Contactors	SIEMENS	3RT5035-1AC20	24VAC	1	YE00503502600								
7	F1	Thermo Overload Relay	SIEMENS	3RU6116-1GB0	4.5-6.32A	1	YE01160450000								
8	F1	Thermo Overload Relay	SIEMENS	3RU6116-1EB0	2.8-4A	1	YE01160280000	(3)							
9	FU1	Fuse Base	CHNT	RT28-32	32A 2P	1	YE41032200000								
10		Fuse Core	MRO	10×38 500V	2A	2	YE46002000100								
11	FU2	Fuse	YINDA	FS-10	----	1	YE41001000000								
12		Fuse	----	6×30/5A	5A	1	YE46630500100								
13	T	Transformer	----	IN=230V OUT=24VAC	120VA	1	YE70023005500								
14	S1	Thermocouple	SHINI	----	K	1	----	(1)							
15	S2 S3	Thermocouple	SHINI	----	K	2	----	(1)(2)							
16	S4	Overheat Protector	----	----	----	1	----	(1)							
17	S5	Limit Switch	RENEW	----	250V 5(4)	1	----	(1)							
18	PC1 A	Circuit Board	YUYUN	TM-01 (含通讯)	180-4.30V 50/60Hz	1	YE81012200300								
19	X1	Terminal Board	HONEYWELL	2.5mm <sup>2</sup>	----	6	YE60002503200								
20		Terminal Board	HONEYWELL	2.5mm <sup>2</sup> PE	----	2	YE60002503400								
21		Terminal Board	HONEYWELL	6.0mm <sup>2</sup> PE	----	1	YE60000603500								
22		Terminal Board	HONEYWELL	10mm <sup>2</sup>	----	3	YE60001003200								
23		Terminal Board	HONEYWELL	10mm <sup>2</sup> PE	----	1	YE60001003500								
24	M1	Motor	SHINI	TP-150	230V 50Hz 1.5kW	1	----	(1)							
STM-1220 版本		Notes: (1)Means it's not the material inside the control box (2)Means equipped with function of displaying water outlet and return water temperature.													
STM-1220M 版本		(3)Means equipped with magnetic pump													
		Title		Drawing NO		Scale		Page		5		6		8	
		STM-1220		STM-1220		Electrical Components list 1		STM-1220-CE-230V-F-5		CE		Voltage		230V	
		F		Version		Approved by		SHINI		Shini Plastics Technologies, Inc.		Frequency		50HZ	
Mark		Before modification		Modified by		Modify date		20170503							

1		2		3		4		5		6		7		8			
NO.	Symbol	Name	Manufacturer	Type	Specification	Number	Material number	Remark									
25	M1	Motor	SHINI	MP-100	230V 50Hz 1.0kW	1		(1)(3)									
26	EH	Heater	SHINI	12kW	230V 50Hz	1		(1)									
27	FM	Fan	----	----	230VAC 50/60Hz	1		(1)(3)									
29	H1	Buzzer	----	PK-35A	24VAC/DC	1	YE84003500600										
30	Y1	Solenoid Valve	----	----	24VAC	1		(1)									
31	S6	Communication interface board RS-485 (double Dsub-9pin connector)			PCS	1.000	YE90048501200										
32		Shell RS485(SAL-700G-A-1910)			PCS	1.000	YR40048500000										
B																	
C																	
STM-1220 版本 Ver.E      Notes: (1)Means it's not the material inside the control box.(2)Means equipped with function of displaying water outlet and return water temperature. STM-1220M 版本 Ver.D      (3)Means equipped with magnetic pump																	
Title      STM-1220      Drawing NO      STM-1220-CE-230V-F-6								Scale		Page		D					
Electrical Components List 2								Standard		CE		Totally		6		Pages	
 <b>信易電熱機械股份有限公司</b> <b>Shini Plastics Technologies, Inc.</b>								Voltage		230V							
Date      20170503      Approved by								Frequency		50HZ							
Modified by      Modify date      Proofread by      Checked by																	
Version      F      Designer								Date		20170503							
Drawer								Approved by									



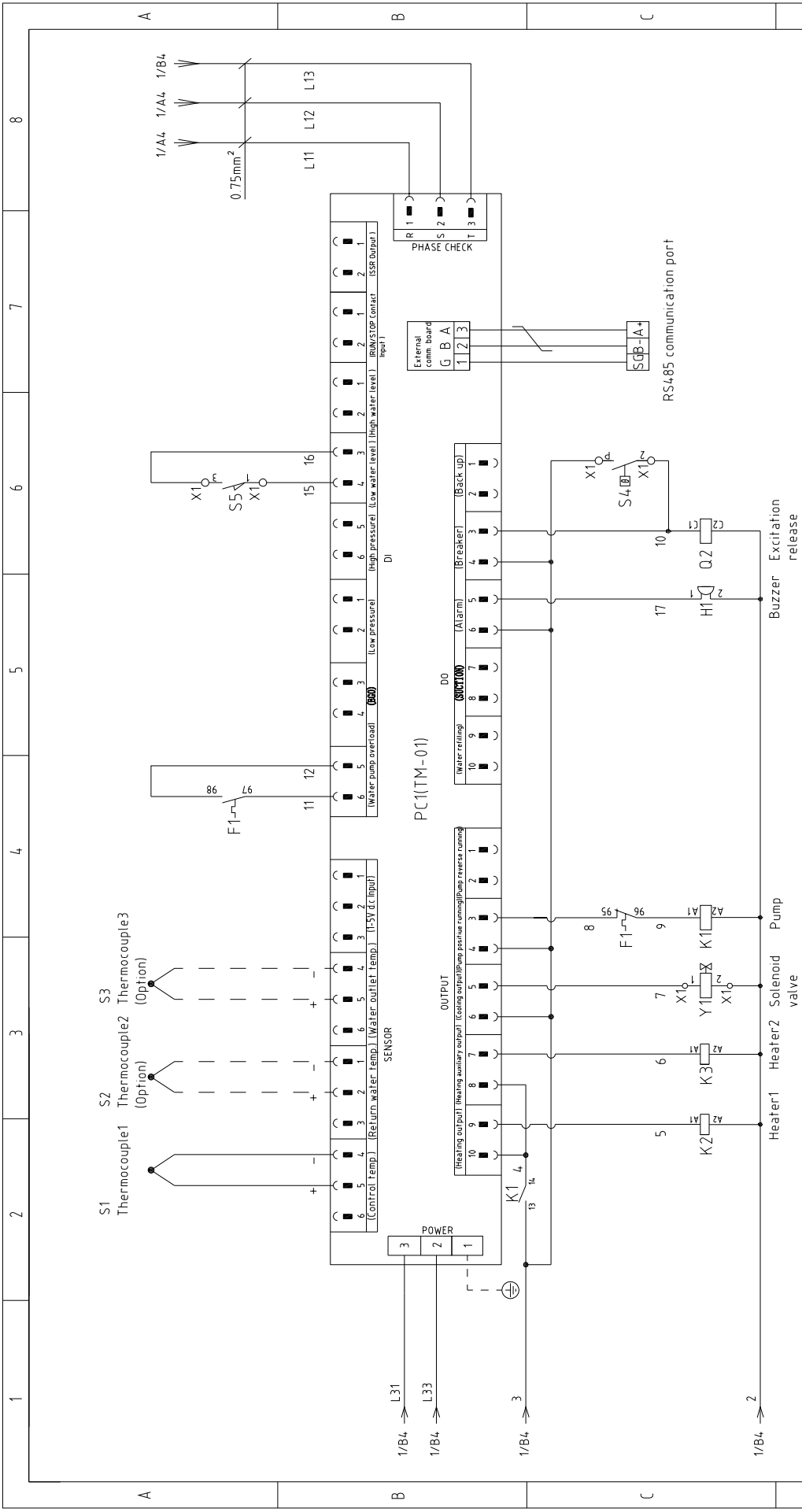
STM-2440 版本 Ver.D  
 STM-2440M 版本 Ver.D

When equipped with magnetic pump F1:SET 9.9A P=2.8KW IN=9.9A

D	Mark	Before modification	After modification	1	2	3	4	5	6	7	8
	Version										
E	Designer										
	Proofread by										
F	Checked by										
	Date										
G	Approved by										
	Version										
H	Title	STM-2440		Main Circuit Diagram		Drawing NO		STM-2440-CE-230V-E-1		Scale	Standard
	Standard	CE		CE		CE		CE		Page	1
I	Voltage	230V		230V		230V		230V		Totally	5
	Frequency	50HZ		50HZ		50HZ		50HZ		Pages	5







STM-2440 版本 Ver.D  
 STM-2440M 版本 Ver.D

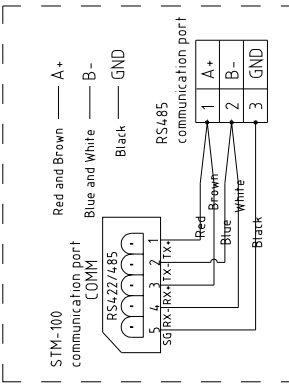
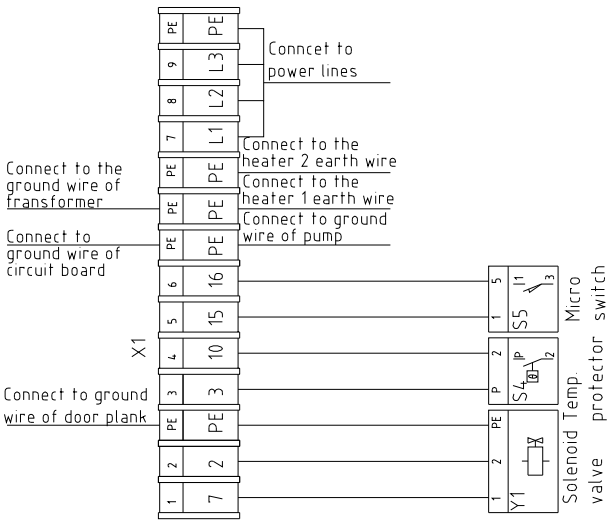
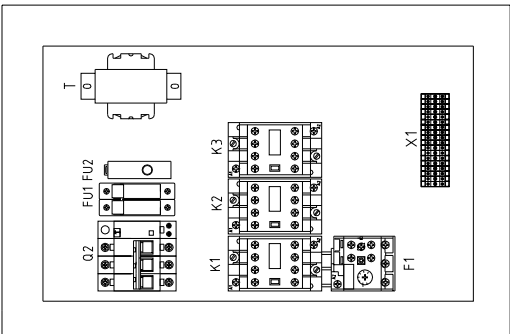
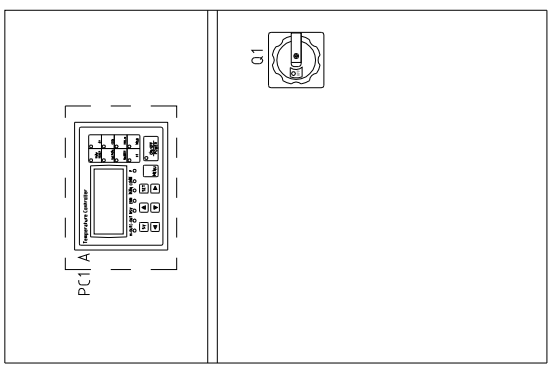
Scale	Standard	CE	Page 2	Totally 5	Pages
Voltage		230V			
Frequency		50HZ			
Drawing NO			STM-2440-CE-230V-E-2		
Title			Control Circuit Diagram		
Version			E		
Approved by					
Date			20180102		
Modified by					
Modify date					
Proofread by					
Designer					
Drawer					



A

B


C




S6 RS485 Communications wiring diagram

STM-2440	版本	Ver.D
STM-2440M	版本	Ver.D

Technical requirements (1)Pump and pipe heater should be directly connected to the output terminals of contactor and thermal overload relay.

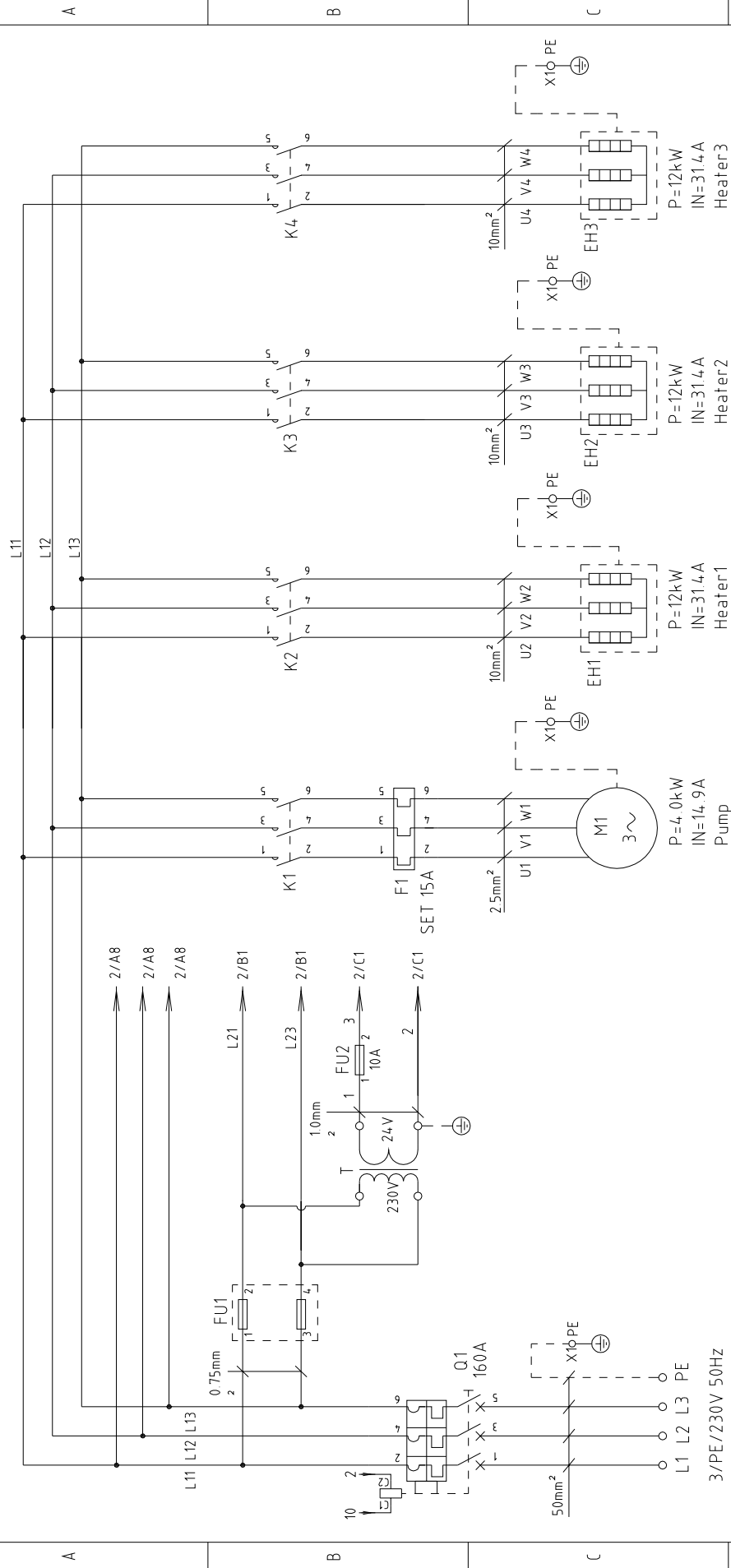
D	Version	STM-2440	Scale	Standard	Page	3
	Approved by	Electrical Components Layout	Standard	CE	Totally	5
Mark	Modified by		Voltage	230V		
	After modification		Frequency	50HZ		
Title		STM-2440	Drawing NO		STM-2440-CE-230V-E-3	
Date		20170504	Voltage		230V	
Checked by			Frequency		50HZ	
Proofread by			 信易電熱機械股份有限公司 Shini Plastics Technologies, Inc.			
Designer						
Drawer						

1		2		3		4		5		6		7		8		
NO.	Symbol	Name	Manufacturer	Type	Specification	Number	Material number	Remark								
1	Q1	Main Switch	EATON	P3-100/EA/SVB	100A	1	YE100100000000									
2	Q2	Circuit Breakers	TECO	BM-100D/3100S	100A	1	YE40310003000									
3		Excitation Release	TECO	MX	24VAC	1	YE40024000000									
4	K1	Contactors	SIEMENS	3RT6017-1AB01	24VAC	1	YE00601702500									
5	K1	Contactors	SIEMENS	3RT6017-1AB01	24VAC	1	YE00601702500	(3)								
6	K2 K3	Contactors	SIEMENS	3RT5035-1AC20	24VAC	2	YE00503502600									
7	F1	Thermo Overload Relay	SIEMENS	3RU6116-1KB0	9-12.5A	1	YE01169125000									
8	F1	Thermo Overload Relay	SIEMENS	3RU6116-1KB0	9-12.5A	1	YE01169125000	(3)								
9	FU1	Fuse Base	CHNT	RT28-32	32A 2P	1	YE41032200000									
10		Fuse Core	MRO	10x38 500V	2A	2	YE46002000100									
11	FU2	Fuse	YINDA	FS-10	-----	1	YE41001000000									
12		Fuse	----	6x30/8A	8A	1	YE46863000200									
13	T	Transformer	BAIYUN	IN=230V OUT=24VAC	180VA	1	YE70023005600									
14	S1	Thermocouple	SHINI	----	K	1	----	(1)								
15	S2 S3	Thermocouple	SHINI	----	K	2	----	(1)(2)								
16	S4	Overheat Protector	----	----	----	1	----	(1)								
17	S5	Limit Switch	RENEW	----	250V 5(4)	1	----	(1)								
18	PC1 A	Circuit Board	YUYUN	TM-01 (含通讯)	180~4.30V 50/60Hz	1	YE81012200300									
19	X1	Terminal Board	HONEYWELL	2.5mm <sup>2</sup>	-----	6	YE60002503200									
20		Terminal Board	HONEYWELL	2.5mm <sup>2</sup> PE	-----	2	YE60002503400									
21		Terminal Board	HONEYWELL	10mm <sup>2</sup> PE	-----	2	YE60001003500									
22		Terminal Board	HONEYWELL	35mm <sup>2</sup>	-----	3	YE60003503200									
23		Terminal Board	HONEYWELL	35mm <sup>2</sup> PE	-----	1	YE60003503500									
24	M1	Motor	SHINI	TP-280	230V 50Hz 2.8kW	1	----	(1)								
STM-2440 版本		Notes: (1)Means it's not the material inside the control box (2)Means equipped with function of displaying water outlet and return water temperature														
STM-2440M 版本		(3)Means equipped with magnetic pump														
				Drawer	Designer	Version	E	Title	STM-2440	Drawing NO	STM-2440-CE-230V-E-4		Scale	CE	Page	4
				Proofread by	Approved by			Electrical Components list 1				Standard	CE	Totally	5	Pages
Mark	Before modification	Modified by	Modify date	Checked by	Date	20170504		 <b>信易电热机械股份有限公司</b> <b>Shini Plastics Technologies, Inc.</b>		Voltage	230V		Frequency	50HZ		
1	2	3	4	5	6	7	8									


1		2		3		4		5		6		7		8	
NO.	Symbol	Name	Manufacturer	Type	Specification	Number	Material number	Remark							
25	M1	Motor	SHINI	MP-280	230V 50Hz 2.8kW	1	----	(1)(3)							
26	EH1 EH2	Heater	SHINI	12kW	230V 50Hz	2	----	(1)							
27	H1	Buzzer	----	PK-35A	24VAC/DC	1	YE84.003500600								
28	Y1	Solenoid Valve	----	----	230VAC 50/60Hz	1	----	(1)							
29	S6	Communication interface board RS-485 (double Dsub-9pin connector)	RS-485		PCS	1.000	YE90048501200								
30		Shell RS485(SAL-700G-A-19)0			PCS	1.000	YR4.0048500000								
									B						
									C						
									D						
STM-2440 版本 Ver.D		Notes: (1)Means it's not the material inside the control box (2)Means equipped with function of displaying water outlet and return water temperature.													
STM-2440M 版本 Ver.D		(3)Means equipped with magnetic pump													
		Title		Version		E		Drawing NO		Scale		Page		5	
		STM-2440		Electrical Components List 2		STM-2440-CE-230V-E-5		Standard		CE		Voltage		230V	
		SHINI		SHINI		SHINI		SHINI		SHINI		SHINI		SHINI	
Mark		Before modification		After modification		Modified by		Modify date		Checked by		Date		20170504	
1		2		3		4		5		6		7		8	

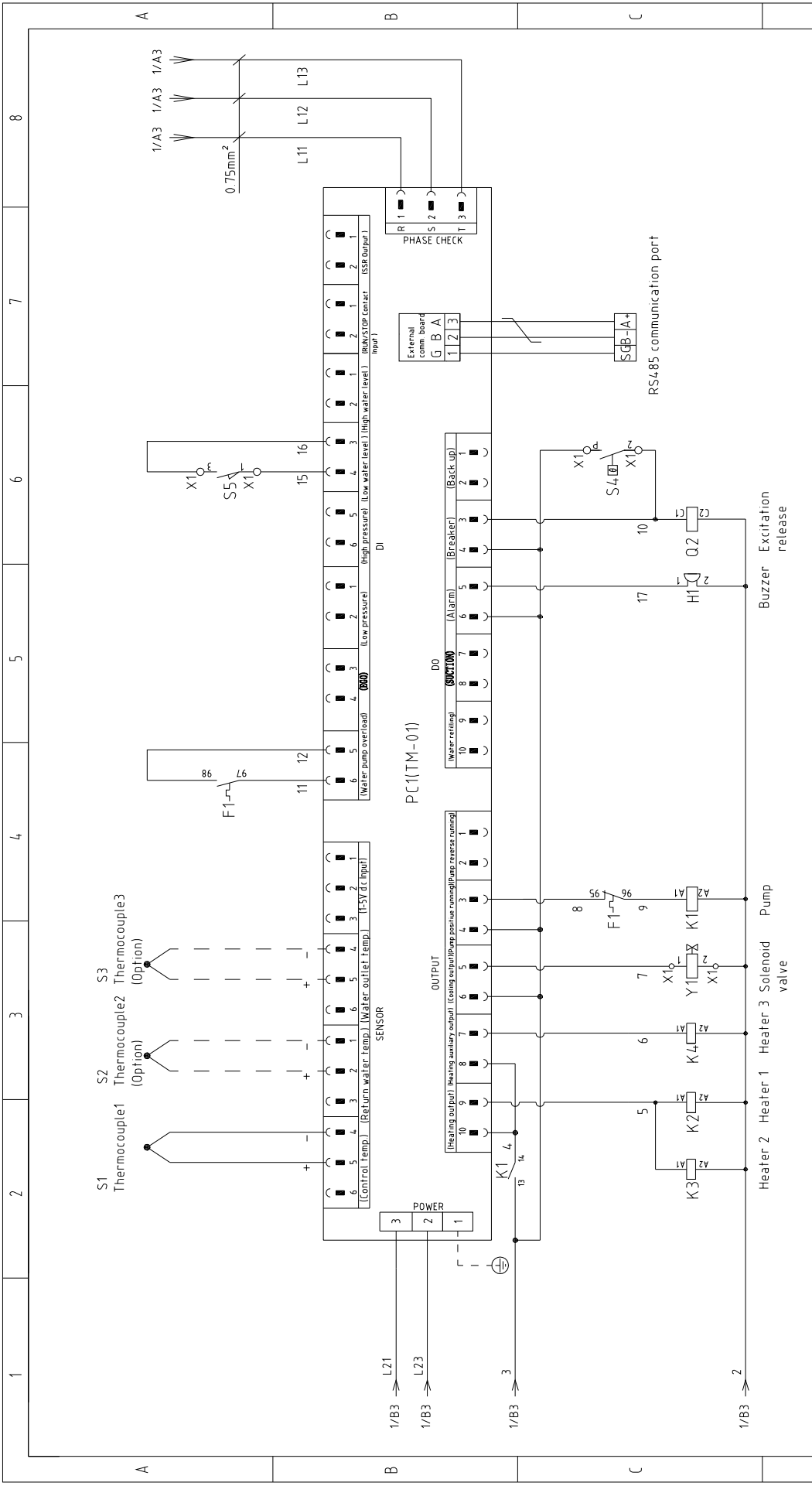


1 2 3 4 5 6 7 8



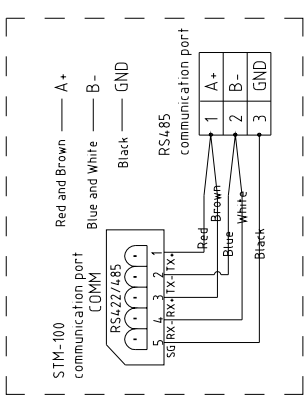
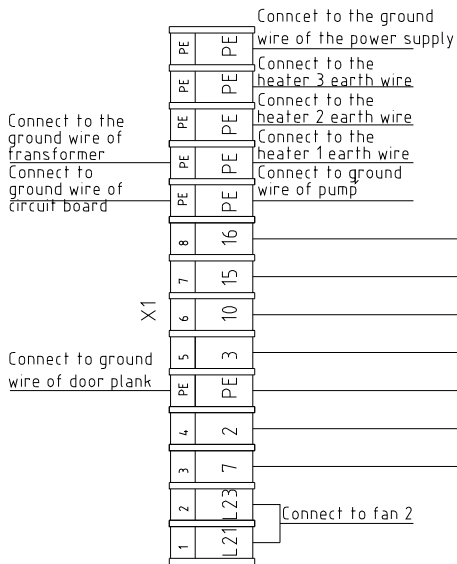
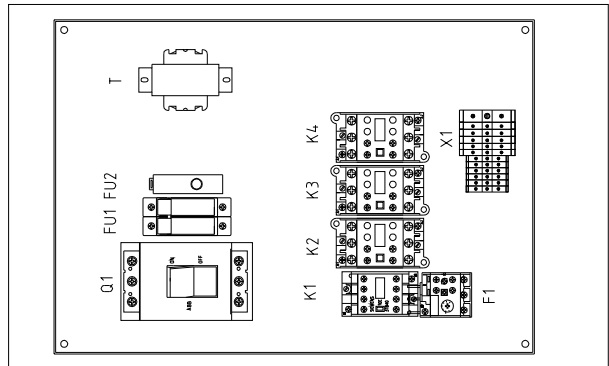
版本 Ver.D

D		E		Title		Drawing NO		Page	
Mark	Before modification	Version	E	STM-3650	STM-3650-CE-230V-E-1	Standard	CE	Totally	4
	After modification	Designer		Main Circuit Diagram				Pages	1
	Modified by	Proofread by						Voltage	230V
	Modify date	Checked by	20170504					Frequency	50HZ
 <b>信易電熱機械股份有限公司</b> Shini Plastics Technologies, Inc.									
				Date		20170504		8	

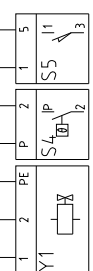


版本	Ver.D	Version	E	Title	Drawing NO		Scale	Page	2		
					STM-3650	STM-3650-CE-230V-E-2				Standard	CE
Mark	Before modification	Modified by	Date	20180102	Approved by	Designer	Proofread by	Checked by	Voltage	Frequency	
	After modification										Modify date
1	2	3	4	5	6	7	8				





S6 RS485 Communications wiring diagram



Solenoid valve protector switch

版本	Ver.D	Technical requirements:(1)Pump and pipe heater should be directly connected to the output terminals of contactor and thermal overload relay.
Mark	Before modification	
	After modification	
	Modified by	
	Modify date	
	Checked by	
	Proofread by	
	Designer	
	Drawer	
	Version	
	E	
	Electrical Components Layout	
	STM-3650	
	STM-3650-CE-230V-E-3	
	Standard	CE
	Scale	Page 3
		Totally 4 Pages
		Voltage 230V
		Frequency 50HZ



1		2		3		4		5		6		7		8	
NO.	Symbol	Name	Manufacturer	Type	Specification	Number	Material number	Remark							
1	Q1	Breaker Interlock	ABB	A2B250TMF160	160A	1	YE41161500000								
2		Release	ABB	SOR-C	24V-30V AC/DC	1	YE40243000900								
3	K1	Contactors	SIEMENS	3RT6025-1AC20	24VAC	1	YE00602502600	A							
4	K2 K3 K4	Contactors	SIEMENS	3RT5035-1AC20	24VAC	3	YE00503502600								
5	F1	Thermo Overload Relay	SIEMENS	3RU6126-4AB0	11-16A	1	YE01260110000								
6	FU1	Fuse Base	CHNT	RT28-32	32A 2P	1	YE41032200000								
7		Fuse Core	MRO	10x38 500V	2A	2	YE46002000100								
8	FU2	Fuse	YINDA	FS-10	----	1	YE41001000000								
9		Fuse	----	6x30/10A	10A	1	YE46631040000								
10	T	Transformer	BAIYUN	IN=230V OUT=24VAC	230VA	1	YE70023005700								
11	S1	Thermocouple	SHINI	----	K	1	----	(1)							
12	S2 S3	Thermocouple	SHINI	----	K	2	----	(2)							
13	S4	Overheat Protector	----	----	----	1	----	(1)							
14	S5	Limit Switch	RENEW	----	250V 5(4)	1	----	(1)							
15	PC1A	Circuit Board	YUYUN	TM-01 (含通讯)	180~430V 50/60Hz	1	YE81012200300								
16	X1	Terminal Board	----	2.5mm <sup>2</sup>	----	8	YE60002503200								
17		Terminal Board	----	2.5mm <sup>2</sup> PE	----	2	YE60002503400								
18		Terminal Board	----	10mm <sup>2</sup> PE	----	3	YE60001003200								
19		Terminal Board	----	35mm <sup>2</sup> PE	----	1	YE60003503500								
20	M1	Motor	SHINI	----	230V 50Hz 4.0kW	1	----	(1)							
21	EH1 EH2 EH3	Heater	SHINI	12kW	230V 50Hz	3	----	(1)							
22	FM1 FM2	Fan	----	----	230V 50/60Hz	2	----	(1)							
23	H1	Buzzer	----	PK-35A	24VAC/DC	1	YE84003500600								
24	Y1	Solenoid Valve	----	----	24VAC	1	----	(1)							
<b>版本</b> Ver.D Notes: (1)Means it's not the material inside the control box.(2)Means equipped with function of displaying water outlet and return water temperature.															
D		Title		Drawing NO		Scale		Page		Page		Page		Page	
		STM-3650		STM-3650		STM-3650-CE-230V-E-4		Standard		CE		Voltage		230V	
		Electrical Components List						Frequency						50HZ	
Mark		Before modification		Modified by		Modify date		After modification		Date		20170504			
1		2		3		4		5		6		7		8	

