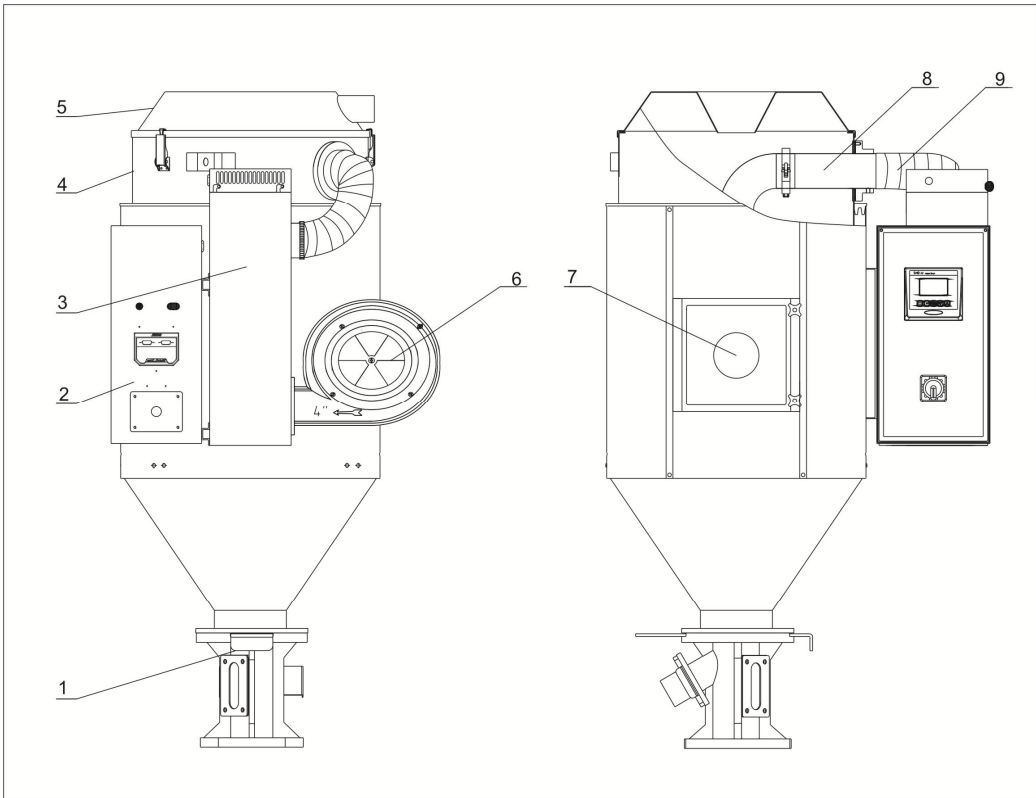


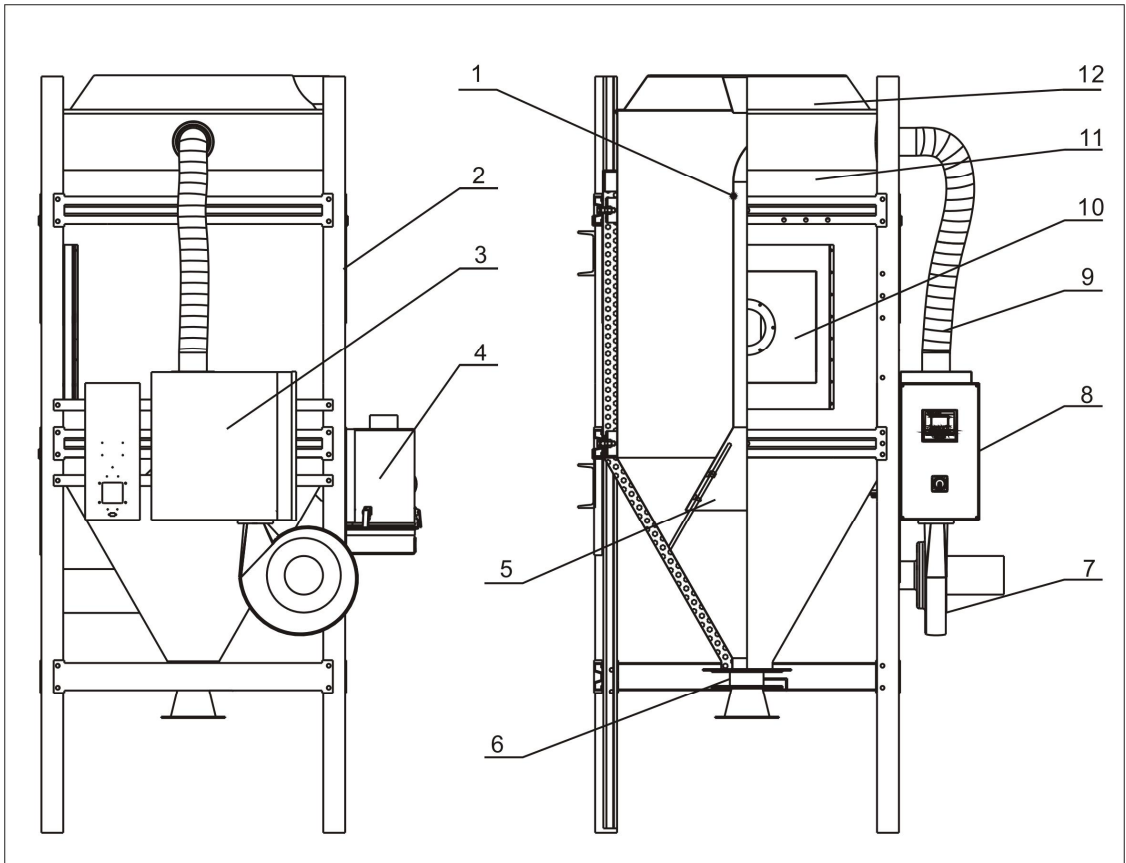
# 1. Structural Drawing (SHD-20U~750U)



**Names of Parts:**

- |                                |                      |                            |
|--------------------------------|----------------------|----------------------------|
| 1. Standard base               | 2. Control box       | 3. Electric heating box    |
| 4. Material storage tank       | 5. Hopper cover      | 6. Drying blower           |
| 7. Sight glass door components | 8. Down-blowing pipe | 9. Heat-resistant air pipe |

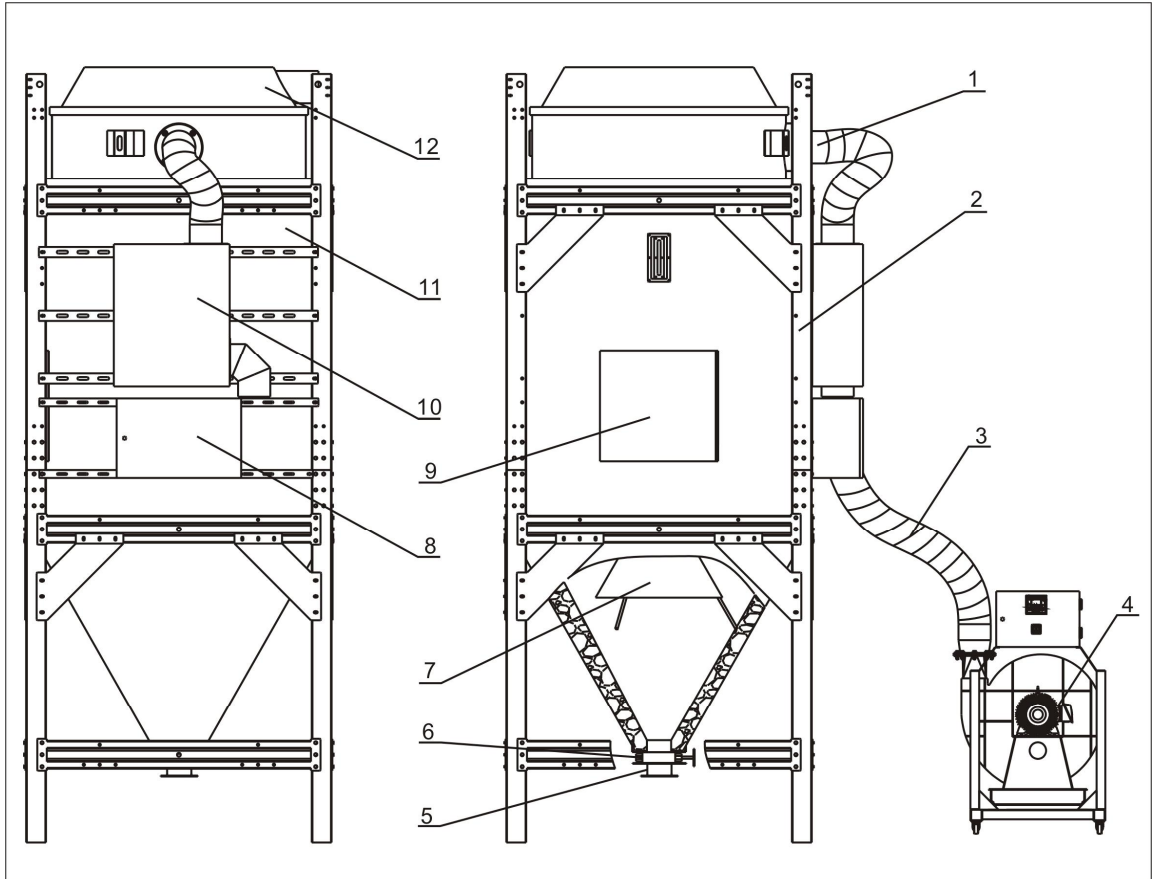
## 2. Structural Drawing (SHD-900U~1200U)



### Names of Parts:

- |                       |                            |                             |
|-----------------------|----------------------------|-----------------------------|
| 1. Down-blow air pipe | 2. Floor stand             | 3. Heating case             |
| 4. Hot-air recycler   | 5. Down-blow air pipe bell | 6. Manual butterfly valve   |
| 7. Drying blower      | 8. Control box             | 9. Heat-insulation air pipe |
| 10. Cleaning door     | 11. Storage hopper         | 12. Hopper cover            |

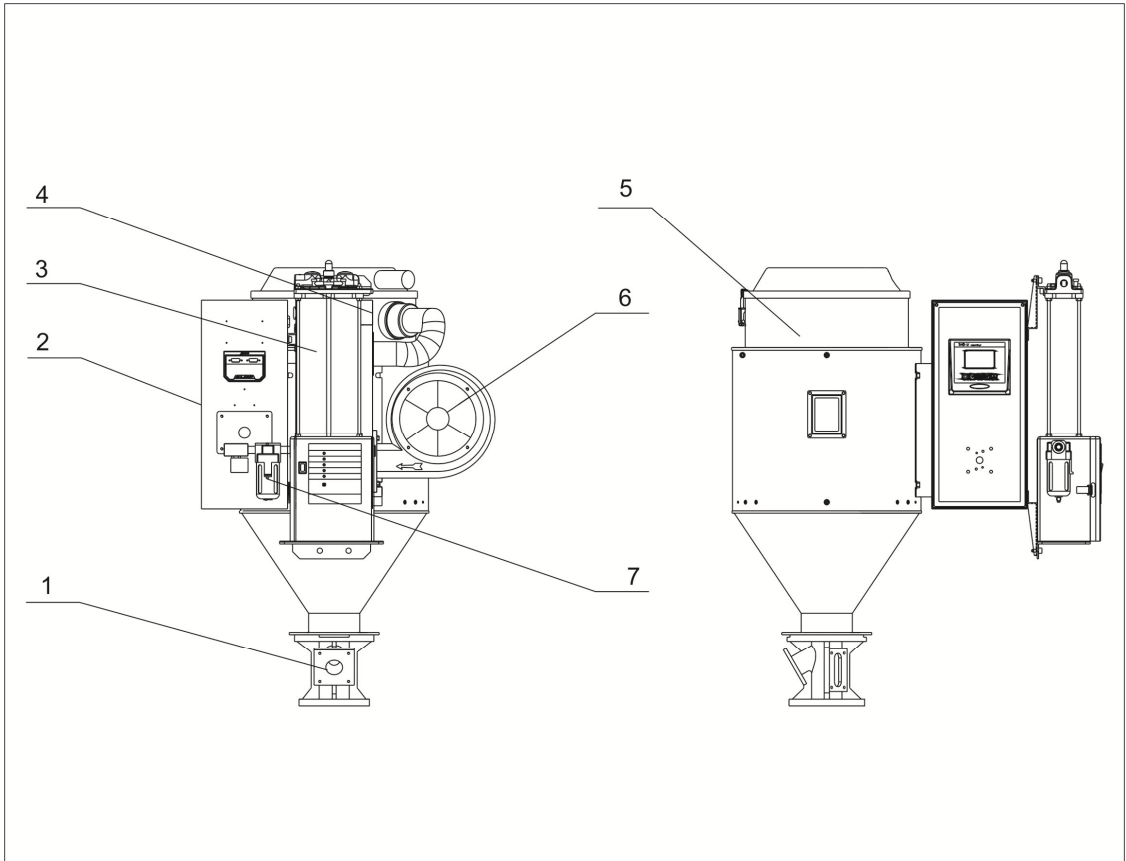
### 3. Structural Drawing (SHD-1500U~8000U)



#### Names of Parts:

- |                            |                    |                             |
|----------------------------|--------------------|-----------------------------|
| 1. Down-blow air pipe      | 2. Floor stand     | 3. Heat-insulation air pipe |
| 4. Drying blower           | 5. Adaptor flange  | 6. Manual butterfly valve   |
| 7. Down-blow air pipe bell | 8. Control box     | 9. Cleaning door            |
| 10. Heating case           | 11. Storage hopper | 12. Hopper cover            |

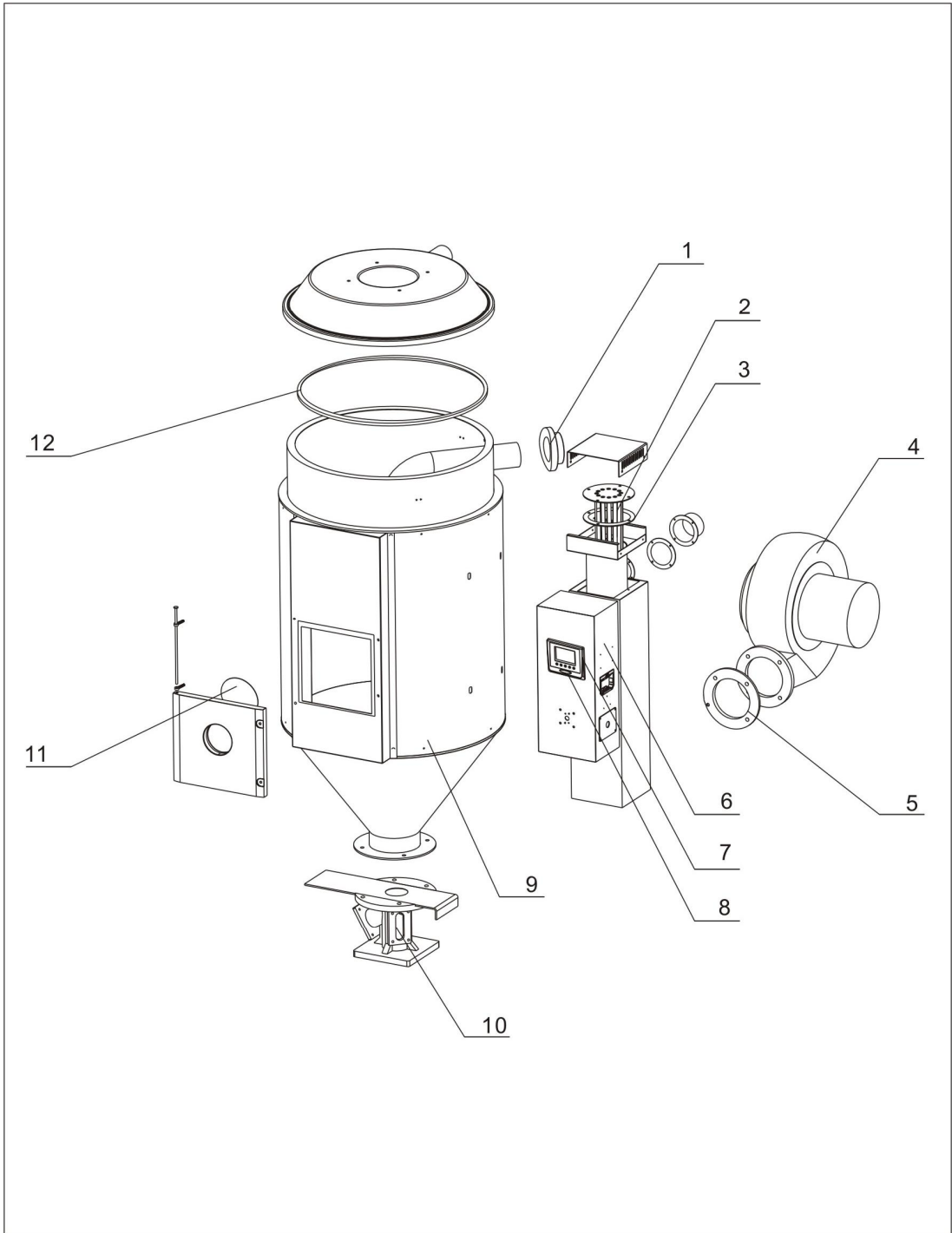
#### 4. Structural Drawing (SHD-40U~230U-HD)



**Names of Parts:**

- |                          |                   |   |
|--------------------------|-------------------|---|
| 1. Standard base         | 2. Control box    | 3. Heatless dehumidifying hot-air dryer |
| 4. Heating tank          | 5. Storage hopper | 6. Drying blower                        |
| 7. Inlet oil mist filter |                   |   |

## 5. Assembly Drawing (SHD-20U~750U)



Remarks: Please refer to material list 6 for specific explanation of the Arabic numbers in parts drawing.

## 6. Parts List (SHD-20U~750U)

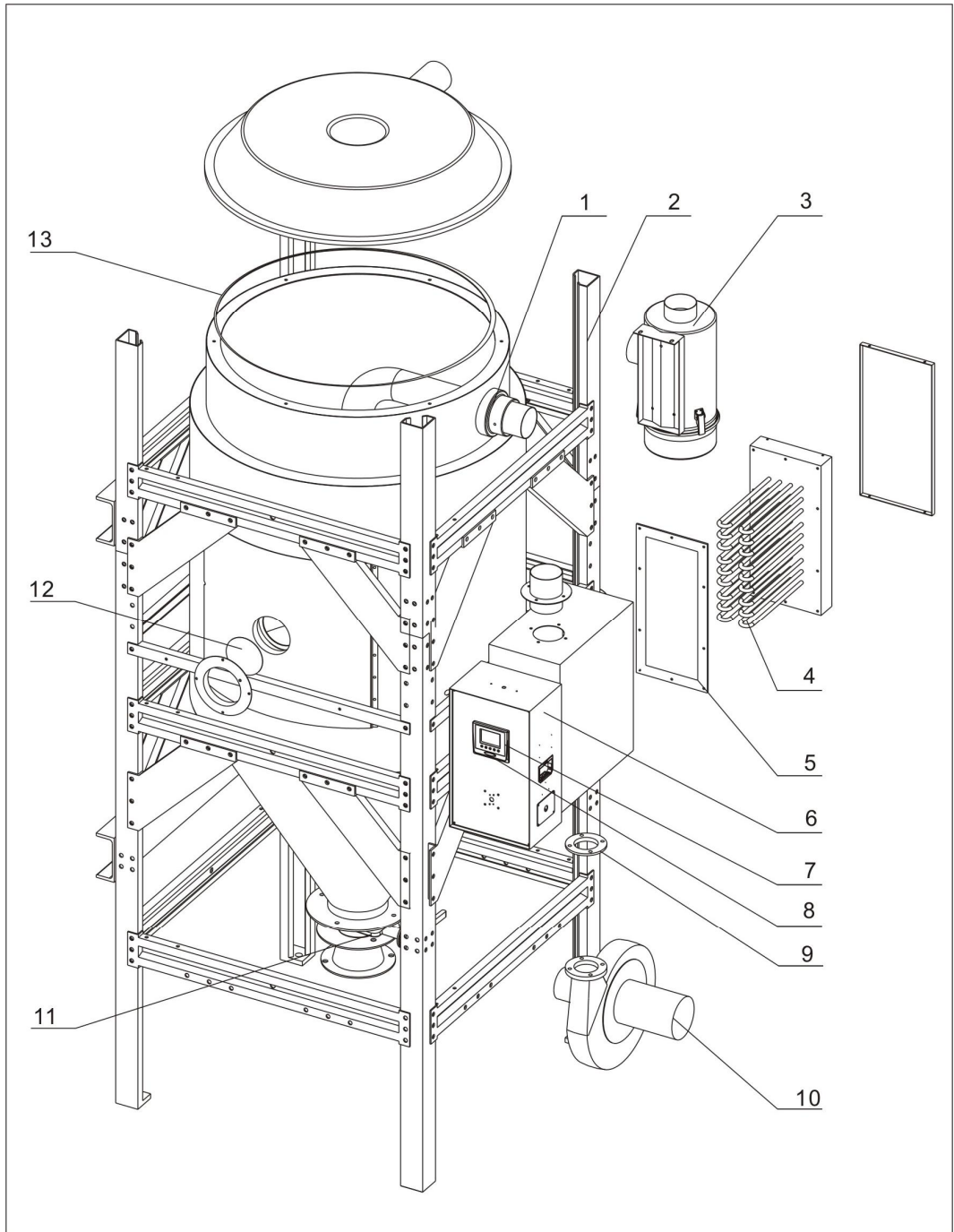
No.	Name	Part No.			
		SHD-20U	SHD-40U	SHD-80U	
1	Air inlet flange	BW21020400010	BW21020400010	BW21081200010	
2	Pipe heater*	BH70202200050	BH70400300350	BH70803900250	
3	Heating tank silica gel fastener **	YR10141100000	YR10141100000	YR10151200000	
4	Drying blower*	BM40001500500	BM40025300450	BM40338000050	
5	Blower fastener **	YR10001200600	YR10001200600	YR10141100000	
6	Control box	BH31002000450	BH31004003450	BH31008003450	
7	Control box	YR40400200000	YR40400200000	YR40400200000	
8	Lampshade	YR90441300000	YR90441300000	YR90441300000	
9	Metal plate	BK02002001520	BK02004001920	BK02008001820	
10	Base combination	BY10020000550	BY10040000050	BY10040000050	
11	Sight glass	BR90204000010	BR90204000010	YW70102000000	
12	Hopper cover fastener**	YR10002500100	YR10002500100	YR10005000100	
No.	Name	Part No.			
		SHD-120U	SHD-160U	SHD-230U	
1	Air inlet flange	BW21081200010	BW21164500010	BW21164500010	
2	Pipe heater*	BH70123900150	BH70160600250	BH70230600250	
3	Heating tank silica gel fastener **	YR10151200000	YR10161200000	YR10161200000	
4	Drying blower*	BM40338000050	BM40000450050	BM40000450050	
5	Blower fastener **	YR10141100000	YR10010000600	YR10010000600	
6	Control box	BH31008003450	BH31012000150	BH31012000150	
7	Control box	YR40400200000	YR40400200000	YR40400200000	
8	Lampshade	YR90441300000	YR90441300000	YR90441300000	
9	Metal plate	BK02012001820	BK02016001520	BK02023001520	
10	Base combination	BY10040000050	BY10300000050	BY10300000050	
11	Sight glass	YW70102000000	YW70102000000	YW70102000000	
12	Hopper cover fastener**	YR10005000100	YR10010040000	YR10010040000	
No.	Name	Part No.			
		SHD-300U	SHD-450U	SHD-600U	SHD-750U
1	Air inlet flange	BW21164500010	BW21164500110	BW21601200010	BW21601200010
2	Pipe heater*	BH70301200150	BH70451200250	BH70601800250	BH70751800250
3	Heating tank silica gel fastener **	YR10161200000	YR10161200000	YR10607500100	YR10607500100
4	Drying blower*	BM40538000050	BM40538000050	BM30055000060	BM30055000060

5	Blower fastener **	YR10020000600	YR10020000600	YR10001200600	YR10001200600
6	Control box	BH31450000050	BH31450000050	BH31060001950	BH31060001950
7	Control box	YR40400200000	YR40400200000	YR40400200000	YR40400200000
8	Lampshade	YR90441300000	YR90441300000	YR90441300000	YR90441300000
9	Metal plate	BK02030001520	BK02045001520	BK02060001520	BK02075001520
10	Base combination	BY10300000050	BY10300000050	BY10400000050	BY10400000050
11	Sight glass	YW70406000000	YW70406000000	YW70406000000	YW70406000000
12	Hopper cover fastener**	YR10010040000	YR10010040000	YR10010040000	YR10010040000

\* means possible broken parts. \*\* means easy broken part. and spare backup is suggested.

Please confirm the version of manual before placing the purchase order to guarantee that the item number of the spare part is in accordance with the real object.

## 7. Assembly Drawing (SHD-900U~1200U)



Remarks: Please refer to material list 8 for specific explanation of the Arabic numbers in parts drawing.



## 8. Parts List (SHD-900U~1200U)

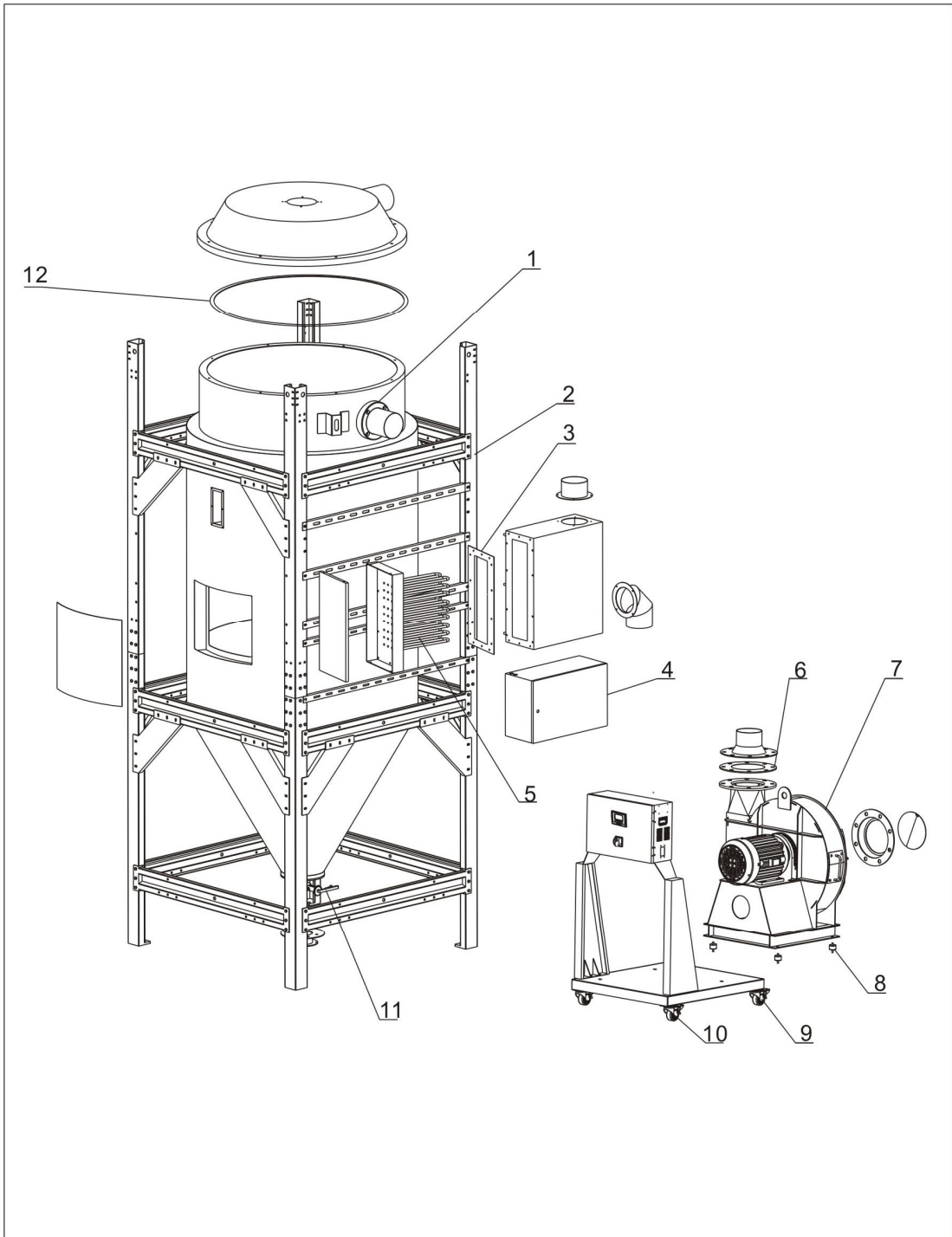
No.	Name	Part No.	
		SHD-900U	SHD-1200U
1	Air inlet flange	BW21601200010	BW21601200010
2	Rack metal plate	BK02090001520	BK02120001520
3	Hot air recycler	BY10090000350	BY10120200050
4	Pipe heater*	BH70090000850	BH70120000850
5	Heating tank silica gel fastener **	YR10350040000	YR10350040000
6	Control box	BH31075000250	BH31120000050
7	Control box	YR40400200000	YR40400200000
8	Lampshade	YR90441300000	YR90441300000
9	Blower fastener **	YR10001200600	YR10161200000
10	Drying blower*	BM30055000060	BM30113230050
11	Manual butterfly valve	YW59418000000	YW59418000000
12	Reinforced glass	YW70406000000	YW70406000000
13	Hopper cover fastener**	YR10010040100	YR10010040100

\* means possible broken parts.

\*\* means easy broken part. and spare backup is suggested.

Please confirm the version of manual before placing the purchase order to guarantee that the item number of the spare part is in accordance with the real object.

### 9. Assembly Drawing (SHD-1500U~8000U)



Remarks: Please refer to material list 10 for specific explanation of the Arabic numbers in parts drawing.

## 10. Parts List (SHD-1500U~8000U)

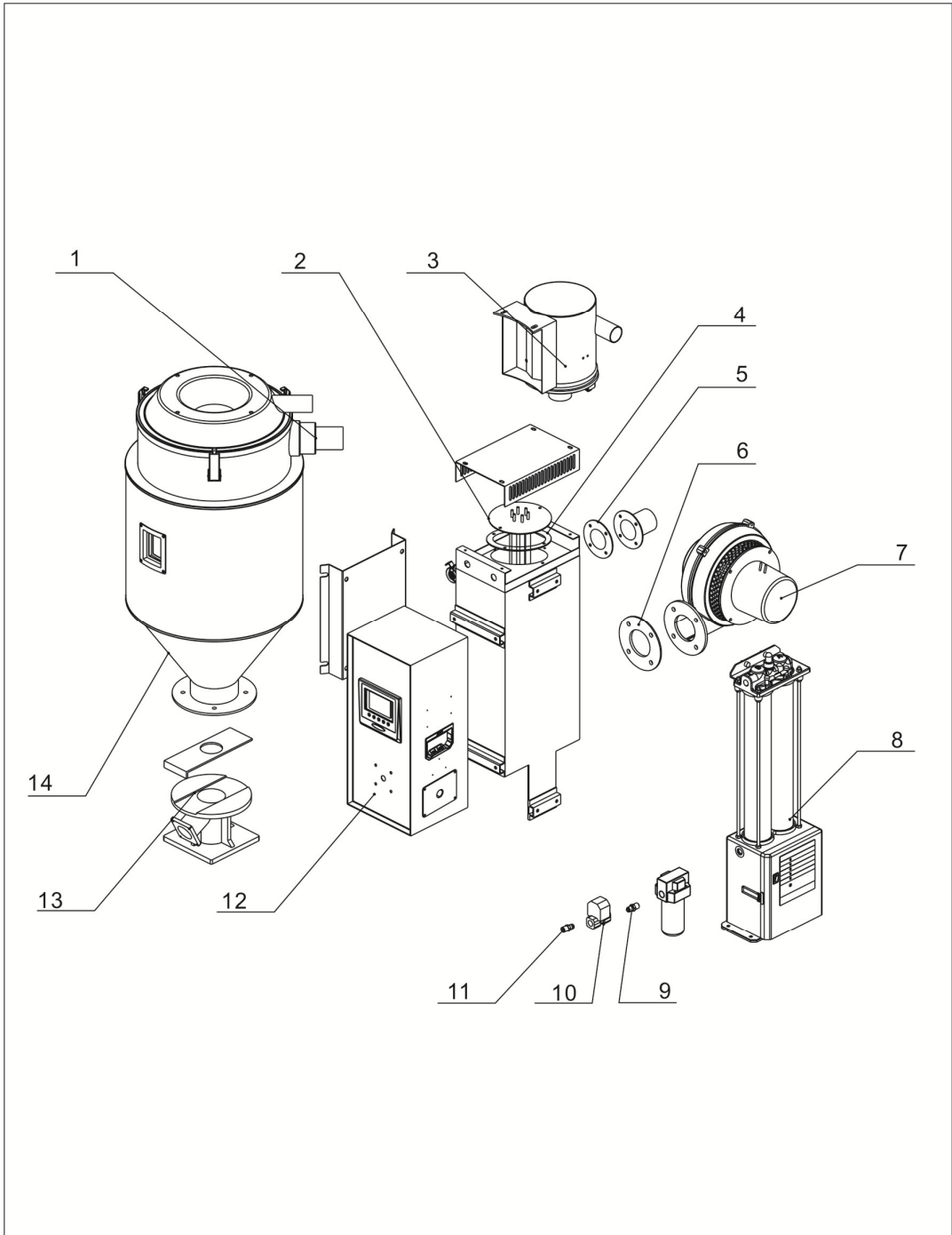
No.	Name	Part No.			
		SHD-1500U	SHD-2000U	SHD-2500U	
1	Air inlet flange	BW21152500010	BW21152500010	BW21304000010	
2	Rack metal plate	BK02150001520	BK02200000520	BK02250000520	
3	Heating tank silica gel fastener **	YR10350040000	YR10350040000	YR10350040000	
4	Control box	BH31120000350	BH31120000350	BH31250000050	
5	Pipe heater*	BH70150000850	BH70150000850	BH70250000850	
6	Blower fastener **	YR10350040000	YR10350040000	YR10350040000	
7	Drying blower*	YM30033800300	YM30033800300	BM30554500050	
8	Motor anti-vibration pad	-	-	YW03536000000	
9	Movable castor	YW03000300000	YW03000300000	YW03000300000	
10	Fixed castor	YW03000301100	YW03000301100	YW03000301100	
11	Control box	YR40400200000	YR40400200000	YR40400200000	
12	Lampshade	YR90441300000	YR90441300000	YR90441300000	
13	Manual butterfly valve	YW59518000000	YW59518000000	YW59518000000	
14	Hopper cover fastener**	YR10010040100	YR10010040100	YR10010040100	
No.	Name	Part No.			
		SHD-3000U	SHD-3500U	SHD-4000U	
1	Air outlet flange	BW21304000010	BW21304000010	BW21413000010	
2	Rack metal plate	BK02300001520	BK02350001520	BK02400001520	
3	Heating tank silica gel fastener **	YR10350040000	YR10350040000	YR10350040000	
4	Control box	BH31250000050	BH31350000550	BH31350000550	
5	Pipe heater*	BH70250000850	BH70350000850	BH70350000850	
6	Blower fastener **	YR10350040000	YR10350040000	YR10350040000	
7	Drying blower*	BM30554500050	BM30754500050	BM30754500050	
8	Motor anti-vibration pad	YW03536000000	YW03536000000	YW03536000000	
9	Movable castor	YW03000300000	YW03000300000	YW03000300000	
10	Fixed castor	YW03000301100	YW03000301100	YW03000301100	
11	Control box	YR40400200000	YR40400200000	YR40400200000	
12	Lampshade	YR90441300000	YR90441300000	YR90441300000	
13	Manual butterfly valve	YW59518000000	YW59518000000	YW59618000000	
14	Hopper cover fastener**	YR10010040100	YR10010040100	YR10010040100	
No.	Name	Part No.			
		SHD-5000U	SHD-6000U	SHD-7000U	SHD-8000U
1	Air outlet flange	BW21413000010	BW21600000010	BW21600000010	BH13800070010
2	Rack metal plate	BK02500001520	BK02600001520	-	-
3	Heating tank silica gel fastener **	YR10350040000	YR10350040000	YR10350040000	YR10350040000
4	Control box	BH31450000550	BH31550000550	BH31704000050	-

5	Pipe heater*	BH70500000850	BH70600000850	BH70600000850	BH70800000850
6	Blower fastener **	YR10350040000	YR10350040000	YR10350040000	YR10350040000
7	Drying blower*	YM30001100000	YM30001500000	-	YM30223400000
8	Motor anti-vibration pad	YW03536000000	YW03536000000	YW03536000000	YW03536000000
9	Movable castor	YW03000300000	YW03000300000	YW03000300000	YW03147500000
10	Fixed castor	YW03000301100	YW03000301100	YW03000301100	YW03147500000
11	Control box	YR40400200000	YR40400200000	YR40400200000	YR40400200000
12	Lampshade	YR90441300000	YR90441300000	YR90441300000	YR90441300000
13	Manual butterfly valve	YW59618000000	YW59618000000	YW59618000000	YW59618000000
14	Hopper cover fastener**	YR10010040100	YR10010040100	YR10010040100	YR10010040100

\* means possible broken parts. \*\* means easy broken part. and spare backup is suggested.

Please confirm the version of manual before placing the purchase order to guarantee that the item number of the spare part is in accordance with the real object.

# 11. Assembly Drawing (SHD-40U~230U-HD)



Remarks: Please refer to material list 12 for specific explanation of the Arabic numbers in parts drawing.

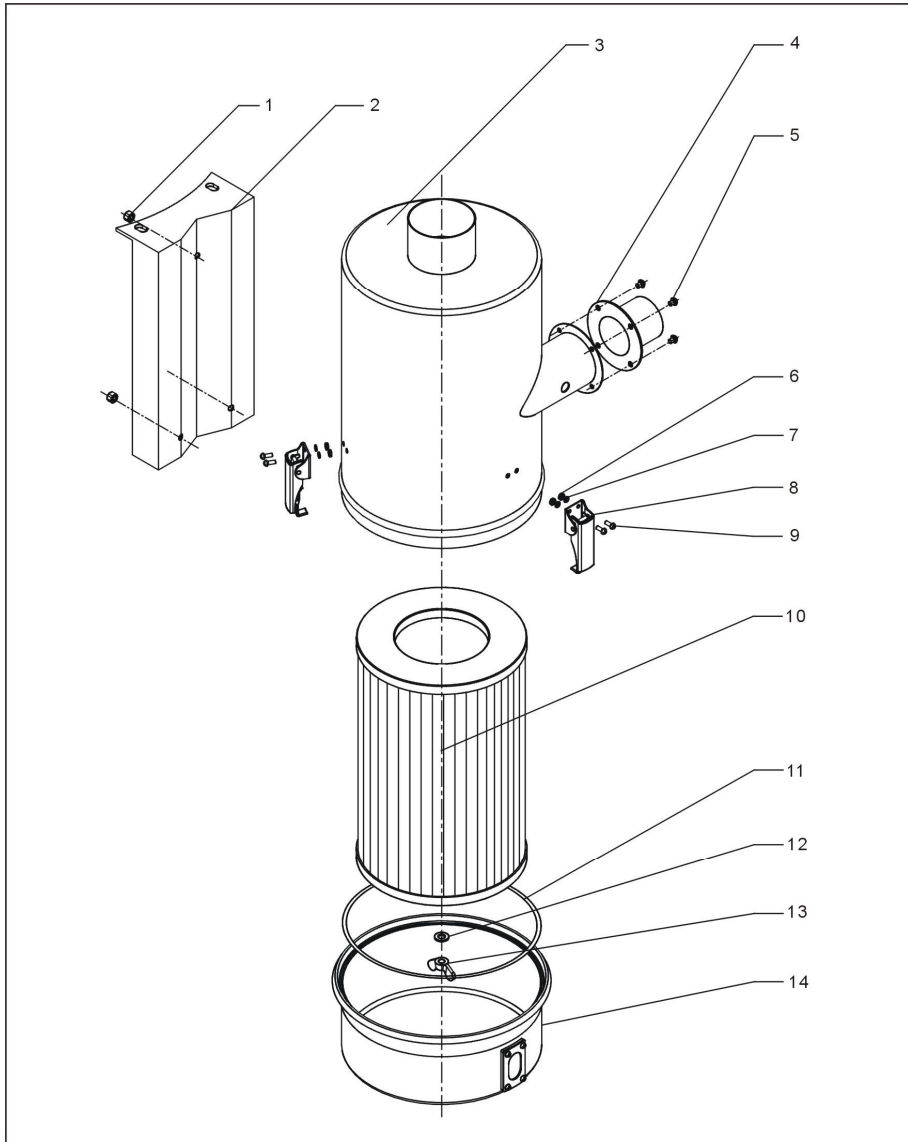
## 12. Parts List (SHD-40U~230U-HD)

No.	Name	Part No.	
		SHD-40U-HD	SHD-80U-HD
1	Air inlet flange	BW21020400010	BW21081200010
2	Pipe heater*	BH70400300350	BH70803900250
3	Hot air recycler (Option)	BY10004001550	BY10008000350
4	Heating tank silica gel fastener **	YR10141100000	YR10151200000
5	Air outlet fastener of heating case *	YR10350040000	YR10350040000
6	Blower fastener **	YR10001200600	YR10141100000
7	Drying blower*	BM40025300450	BM40338000050
8	Heatless Dehumidifying Hot-air Dryer	BY90106600050	BY90106600050
9	Pipe coupler	BH12010400310	BH12010400310
10	Solenoid valve**	YE32331000000	YE32331000000
11	Air pipe connector	YW80031400000	YW80031400000
12	Control box	BH31004003750	BH31008003750
13	Base combination	BY10040000050	BY10040000050
14	Rack metal plate	BK02004000920	BK02008001120
No.	Name	Part No.	
		SHD-120U-HD	SHD-230U-HD
1	Air inlet flange	BW21081200010	BW21164500010
2	Pipe heater*	BH70123900150	BH70230600250
3	Hot air recycler (Option)	BY10008000350	BY10016000450
4	Heating tank silica gel fastener **	YR10151200000	YR10161200000
5	Air outlet fastener of heating case *	YR10350040000	YR10008001200
6	Blower fastener **	YR10141100000	YR10010000600
7	Drying blower*	BM40338000050	BM40000450850
8	Heatless Dehumidifying Hot-air Dryer	BY90206600050	BY90035600050
9	Pipe coupler	BH12010400310	BH12010400310
10	Solenoid valve**	YE32331000000	YE60354000000
11	Air pipe connector	YW80031400000	YW80031400000
12	Control box	BH31008003750	BH31023003750
13	Base combination	BY10040000050	BY10020003250
14	Rack metal plate	BK02012000920	BK02023000920

\* means possible broken parts. \*\* means easy broken part. and spare backup is suggested.

Please confirm the version of manual before placing the purchase order to guarantee that the item number of the spare part is in accordance with the real object.

### 13. Assembly Drawing (HAR-20U~2500U)



Remarks: Please refer to material list 14 for specific explanation of the Arabic numbers in parts drawing.

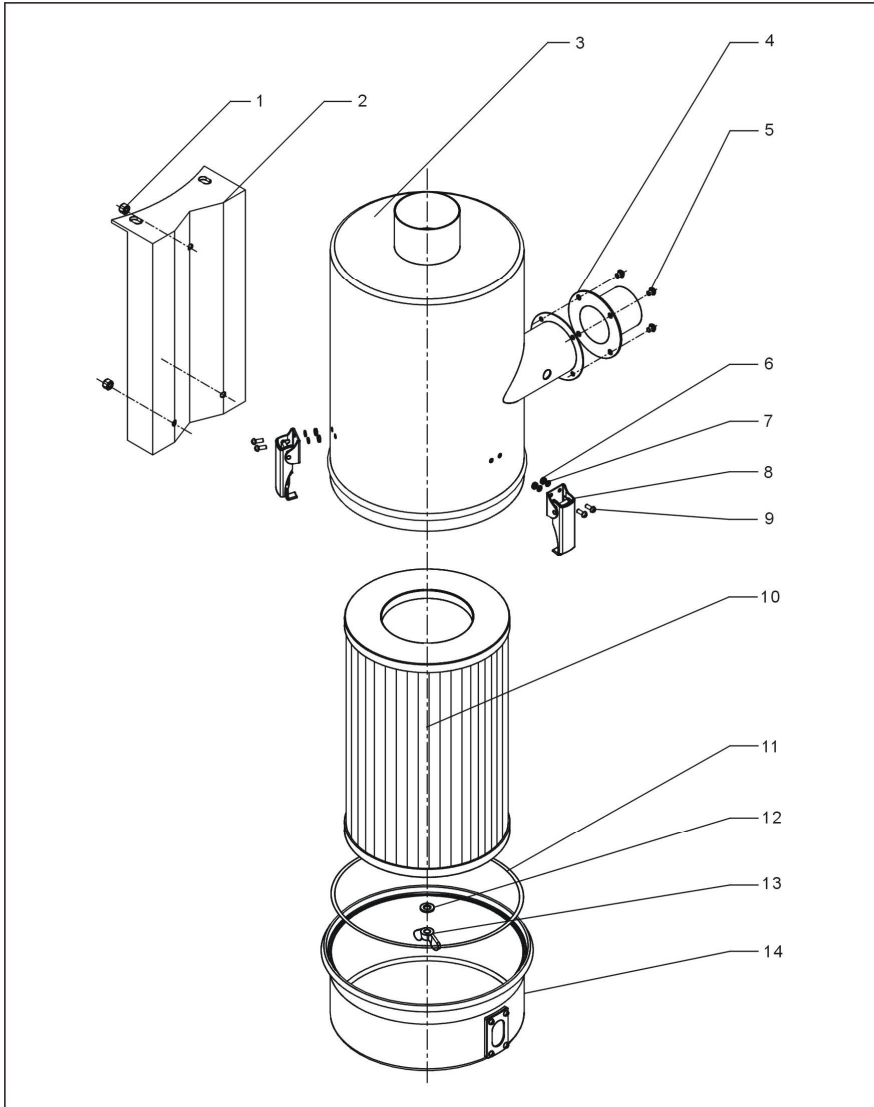
#### 14. Parts List (HAR-20U~2500U)

No.	Description	Part No.			
		HAR-20U/40U	HAR-80U	HAR-160U	HAR-300U
1	Nut	-	-	-	-
2	Installation plate	-	-	-	-
3	Filter barrel	-	-	-	-
4	Flange of air inlet	-	-	-	-
5	Screw	-	-	-	-
6	Nut	-	-	-	-
7	Washer	-	-	-	-
8	Spring clip	YW02003000400	YW02003000400	YW02003000400	YW02003000400
9	Screw	-	-	-	-
10	Filter*	YR50400100000	YR50181100000	YR50181100000	YR50181100000
11	Fastener of filter tank	YR10016000000	YR10708000100	YR10708000100	YR10708000100
12	Washer	-	-	-	-
13	Butterfly nut	YW69051600000	YW69051600000	YW69051600000	YW69051600000
14	Assembly parts of dust collecting barrel	-	-	-	-
No.	Description	Part No.			
		HAR-600U	HAR-900U	HAR-1200U	HAR-2500U
1	Nut	-	-	-	-
2	Installation plate	-	-	-	-
3	Filter barrel	-	-	-	-
4	Flange of air inlet	-	-	-	-
5	Screw	-	-	-	-
6	Nut	-	-	-	-
7	Washer	-	-	-	-
8	Spring clip	YW02003000400	YW02003000400	YW02003000400	YW00121000100
9	Screw	-	-	-	-
10	Filter*	YR50181100000	YR50181100000	YR50181100000	YR50275700000
11	Fastener of filter tank	YR10708000100	YR10708000100	YR10708000100	YR10002500200
12	Washer	-	-	-	-
13	Butterfly nut	YW69051600000	YW69051600000	YW69051600000	YW69051600000
14	Assembly parts of dust collecting barrel	-	-	-	-

\* means possible broken parts. \*\* means easy broken part. and spare backup is suggested.



### 15. Assembly Drawing (AIF-20U~2500U)



Remarks: Please refer to material list 16 for specific explanation of the Arabic numbers in parts drawing.

## 16. Parts List (HAR-20U~2500U)

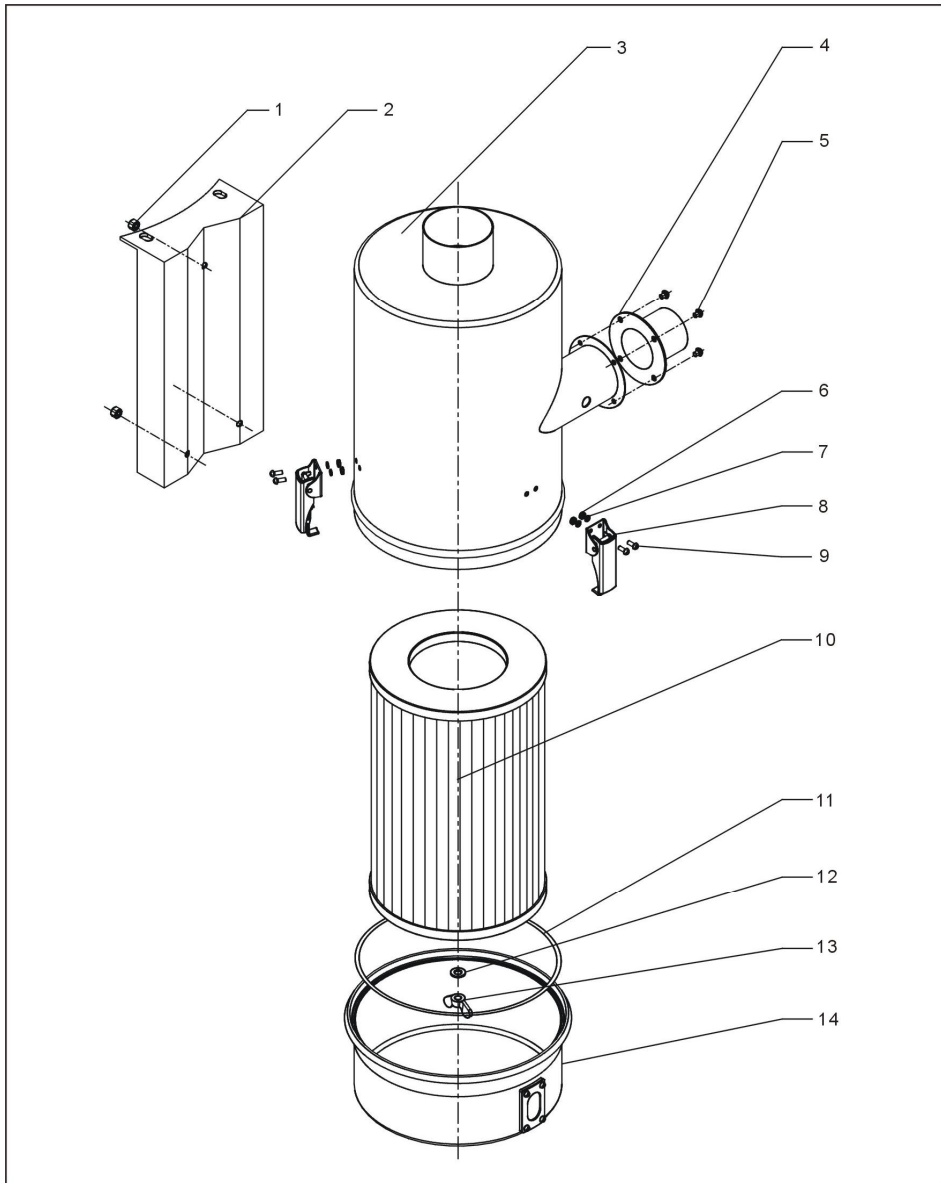
No.	Description	Part No.			
		AIF-20U/40U	AIF -80U/160U	AIF -300U	AIF -600U
1	Nut	-	-	-	-
2	Installation plate	-	-	-	-
3	Filter barrel	-	-	-	-
4	Flange of air inlet	-	-	-	-
5	Screw	-	-	-	-
6	Nut	-	-	-	-
7	Washer	-	-	-	-
8	Spring clip	YW02003000400	YW02003000400	YW02003000400	YW02003000400
9	Screw	-	-	-	-
10	Filter*	YR50400100000	YR50181100000	YR50181100000	YR50181100000
11	Fastener of filter tank	YR10016000000	YR10708000100	YR10708000100	YR10708000100
12	Washer	-	-	-	-
13	Butterfly nut	YW69051600000	YW69051600000	YW69051600000	YW69051600000
14	Assembly parts of dust collecting barrel	-	-	-	-

No.	Description	Part No.		
		AIF -900U	AIF -1200U	AIF-2500U
1	Nut	-	-	-
2	Installation plate	-	-	-
3	Filter barrel	-	-	-
4	Flange of air inlet	-	-	-
5	Screw	-	-	-
6	Nut	-	-	-
7	Washer	-	-	-
8	Spring clip	YW02003000400	YW02003000400	YW00121000100
9	Screw	-	-	-
10	Filter*	YR50181100000	YR50181100000	YR50275700000
11	Fastener of filter tank	YR10708000100	YR10708000100	YR10002500200
12	Washer	-	-	-
13	Butterfly nut	YW69051600000	YW69051600000	YW69051600000
14	Assembly parts of dust collecting barrel	-	-	-

\* means possible broken parts. \*\* means easy broken part. and spare backup is suggested.

### 17. Assembly Drawing (ADC-20U~2500U)



Remarks: Please refer to material list 18 for specific explanation of the Arabic numbers in parts drawing.

## 18. Parts List (ADC-20U~2500U)

No.	Description	Part No.		
		ADC-20U/40U	ADC-80U/160U	ADC-300U
1	Nut	-	-	-
2	Installation plate	-	-	-
3	Filter barrel	-	-	-
4	Flange of air inlet	-	-	-
5	Screw	-	-	-
6	Nut	-	-	-
7	Washer	-	-	-
8	Spring clip	YW02003000400	YW02003000400	YW02003000400
9	Screw	-	-	-
10	Filter*	YR50400100000	YR50181100000	YR50181100000
11	Fastener of filter tank	YR10016000000	YR10708000100	YR10708000100
12	Washer	-	-	-
13	Butterfly nut	YW69051600000	YW69051600000	YW69051600000
14	Assembly parts of dust collecting barrel	-	-	-

No.	Description	Part No.			
		ADC-600U	ADC-900U	ADC-1500U	ADC-2500U
1	Nut	-	-	-	-
2	Installation plate	-	-	-	-
3	Filter barrel	-	-	-	-
4	Flange of air inlet	-	-	-	-
5	Screw	-	-	-	-
6	Nut	-	-	-	-
7	Washer	-	-	-	-
8	Spring clip	YW02003000400	YW02003000400	YW00121000100	YW00121000100
9	Screw	-	-	-	-
10	Filter*	YR50181100000	YR50181100000	YR50241400100	YR50275700000
11	Fastener of filter tank	YR10708000100	YR10708000100	YR1002500200	YR10002500200
12	Washer	-	-	-	-
13	Butterfly nut	YW69051600000	YW69051600000	YW69051600000	YW69051600000
14	Assembly parts of dust collecting barrel	-	-	-	-

\* means possible broken parts. \*\* means easy broken part. and spare backup is suggested.